

# XAS 97 Dd - XAS 185 DD7 WUX



## Spare Parts List Mobile Air Compressors

XAS 97 Dd - XAS 185 DD7 WUX s/n WUX597109 -  
Engine: F3M 2011 -COMII



# General information

This spare parts list applies to the following:

Part number	Description
8162092046	XAS 97DD AS BOX
8162092319	XAS 97DD BOX SQ
8162096971	XAS 97DD SQE BOX
8162092806	XAS 185 DD7 SQ BOX
8162092772	XAS185 DD7 AS BOX
8162096989	XAS 185 DD7 SQE BOX

Use only authorized parts. Any damage or malfunction caused by the use of unauthorized parts is not covered by Warranty or Product Liability. Any unauthorized use or copying of the contents or any part thereof is prohibited. This applies in particular to trademarks, model denominations, part numbers, and drawings.

## Instructions for use

This spare parts list contains no safety regulations and is merely intended to assist in the ordering of spare parts.

For information about operating, servicing, or repairing, the relevant Safety and operating instructions must be consulted at all costs.

Please observe the safety instructions listed in the relevant Safety and operating instructions!

**Service**

2912439306\_01 Service pak 500 hours ..... 1  
Compressor Oil ..... 3  
Engine Oil ..... 5  
Coolant ..... 7  
2911005100\_00 Service kit - Unloading valve ..... 9  
2911005200\_00 Service kit - Speed regulator ..... 11  
2911006800\_01 Service Kit - Oil Separator ..... 13  
1625001006\_01 Service kit - Brake shoes ..... 15  
1625001007\_01 Service kit - Road axle bearing with brakes ..... 17  
1625001008\_01 Service kit - Road axle bearing without brakes ..... 19  
Kits Multi-Pack ..... 21

**Mechanical**

1611710214\_00 ELEMENT AND MOUNTS ..... 23  
1092061423\_06 FRAME AND MOUNTS ..... 25  
1611737214\_09 Air outlet ..... 27  
1611740029\_03 AIR INLET ..... 29  
1092061270\_01 FRAME - NOT SPILLAGE FREE ..... 31  
1625001507\_01 FRAME ASSEMBLY ..... 33  
1092061364\_00 COUNTRY SET - XAS 67 ..... 35  
1092061366\_00 COUNTRY SET - FOR CE, ASME ..... 37  
1092061298\_13 Bodywork and Mounts ..... 39  
1625090132\_04 Bodywork and Mounts ..... 42  
1092061426\_02 Front baffle assembly ..... 46  
1092061427\_02 Rear baffle assembly ..... 49  
1092061494\_01 SIDE PANEL ASSEMBLY ..... 51  
1092061247\_02 HOOD ASSEMBLY ..... 53  
1092037340\_02 Hood assembly ..... 55  
1092061167\_16 Markings ..... 57  
1092061114\_17 Markings ..... 59  
1625002223\_10 Markings ..... 61  
1625002224\_09 Markings ..... 63  
1092061362\_12 No cold start ..... 65  
1625002149\_09 Vessel assembly ..... 67  
1092061113\_13 No cold start ..... 69  
1092061365\_13 Vessel assembly ..... 71  
1611864314\_03 Road signalisation ..... 73  
PARTS FROM SERVICE PAK - (ACTUAL SIZE) ..... 75

**Engine**

1611704214\_14 Fuel system ..... 77  
1604396481\_01 FUEL TANK SET ..... 79  
1611707714\_03 ENGINE AND ACCESSORIES ..... 81  
1611719029\_03 Coupling ..... 83  
1092069093\_07 COOLER AND FAN ..... 85  
1611728214\_14 OIL SYSTEM ..... 87  
1092061370\_06 Engine ..... 90  
1611722012\_10 REGULATING SYSTEM ..... 93  
1615766785\_01 UNLOADING VALVE ..... 96  
1615767683\_01 ACTUATOR ASSEMBLY ..... 99  
1611837114\_01 NO AFTERCOOLER ..... 101  
1611876514\_02 FAN ADAPTOR - FOR COMPRESSOR WITHOUT GENERATOR ..... 103  
1092509700\_01 SIDE PANEL ..... 105  
1092061172\_00 NO SPARK ABSORBER ..... 107

**Electric system**

1611749214\_07 Electrical system ..... 109  
1625002233\_04 SAFETY AND CONTROL ..... 111

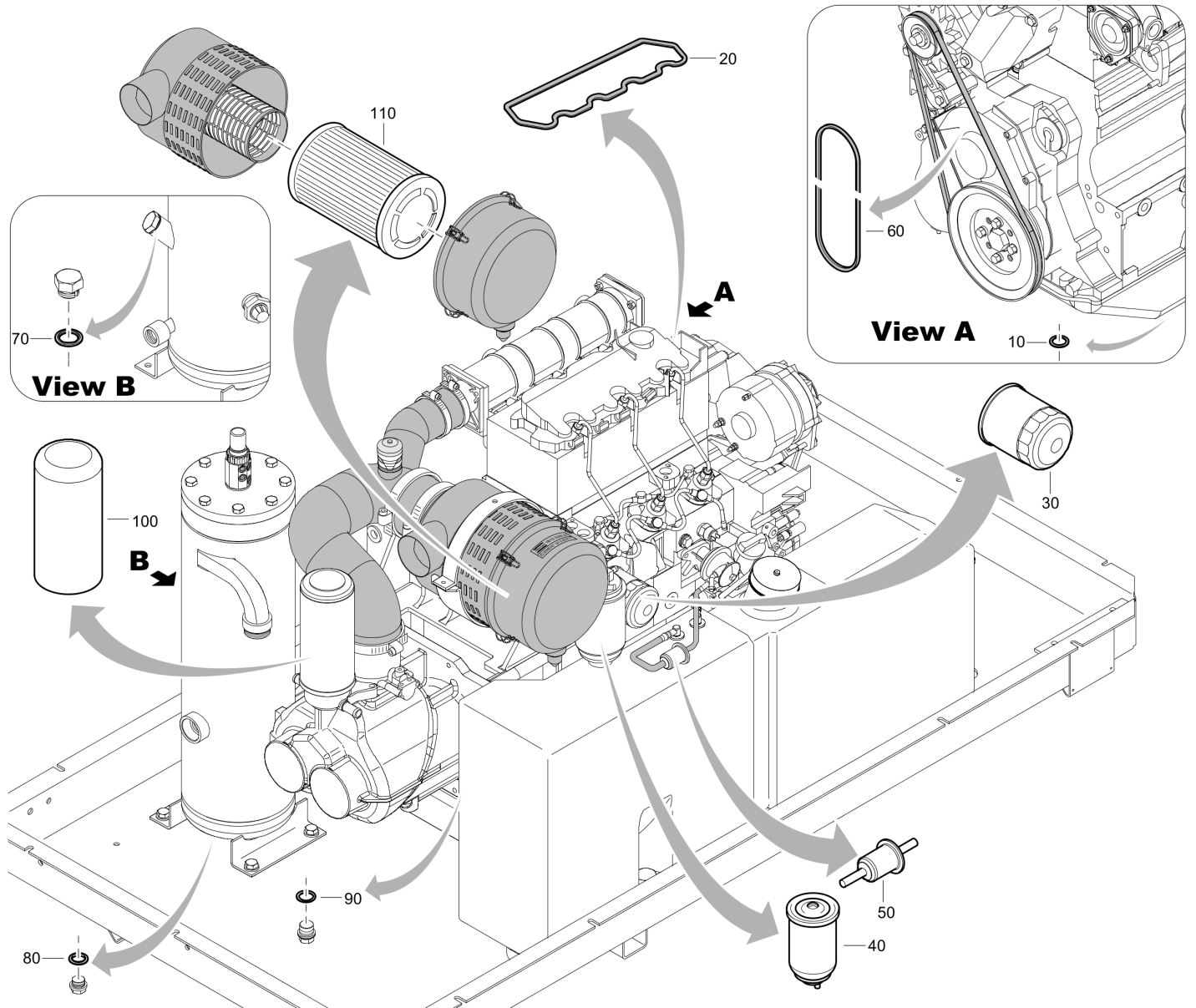
1625002138\_01 CONTROL BOX ..... 113

**Option / accessories**

1611864914\_02 SUPPORT-FOR SUPPORT MOUNTED COMPRESSOR ..... 115  
1611865314\_14 AFTERCOOLER - WITH WATERSEPARATOR ..... 117  
1625004449\_02 SUPPORT MOUNTED ..... 120  
1611838414\_03 AF STEEL CANOPY ..... 123



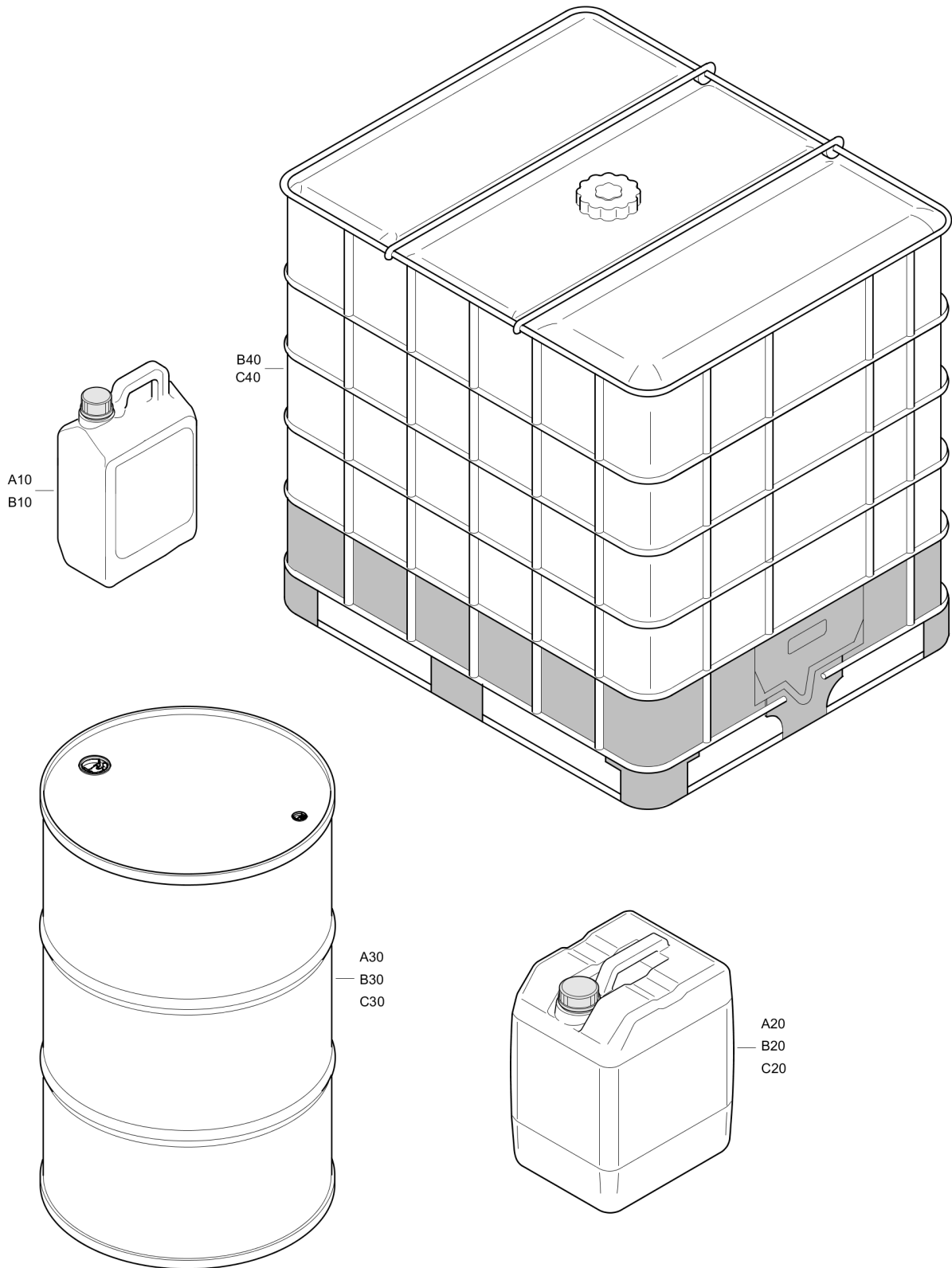
Service 2912439306\_01 Service pak 500 hours



Refer to the Parts Online web page for most up-to-date information. The printed information might be outdated.

Item	Part No.	Name	Qty	L
-	2912439306	Service pak 500 yearly	-	
10	-	Seal washer	1	
20	-	Seal washer	1	
30	-	Engine oil filter	1	
40	-	Fan belt	1	
50	-	Air filter	1	
60	-	Narrow v-belt	1	
70	-	Sealing washer	1	
80	-	Seal washer	1	
90	-	Filter element	1	
100	-	Airfilter-element	1	
110	-	Seal washer	1	

Service Compressor Oil

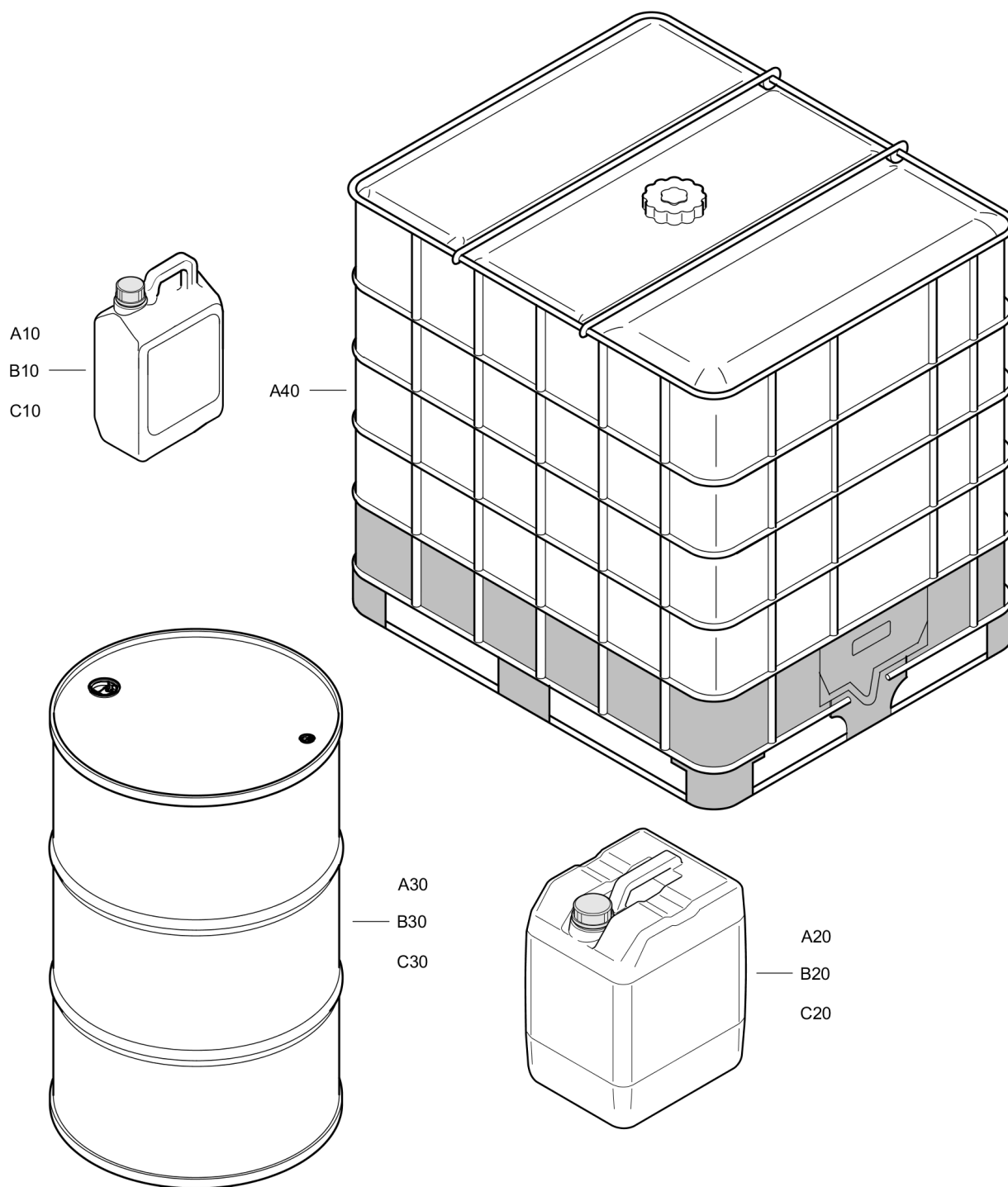


Refer to the Parts Online web page for most up-to-date information. The printed information might be outdated.

Item	Part No.	Name	Qty	L
Not Shown	-	Paroil M Xtreme	AR	
A10	1615595800	Can Paroil M Xtreme 5 Liter/1.32 Gallon	1	
A20	1615595900	Can Paroil M Xtreme 20 Liter/5.3 Gallon	1	
A30	1615596000	Barrel Paroil M Xtreme 210 Liter/55.5 Gallon	1	
Not Shown	-	Paroil S	AR	
B10	1630016000	Can Paroil S 5 Liter/1.32 Gallon	1	
B20	1630016100	Can Paroil S 20 Liter/5.3 Gallon	1	
B30	1630016200	Barrel Paroil S 210 Liter/55.5 Gallon	1	
B40	1630016300	Container Paroil S 1000 Liter/264.1 Gallon	1	
Not Shown	-	Paroil S Xtreme - for high temperature	AR	
C20	1630018000	Can Paroil S Xtreme 20 Liter/5.3 Gallon	1	
C30	1630018100	Barrel Paroil S Xtreme 210 Liter/55.5 Gallon	1	
C40	1630018200	Container Paroil S Xtreme 1000 Liter/264.1 Gallon	1	

Refer to the Parts Online web page for most up-to-date information. The printed information might be outdated.

Service Engine Oil

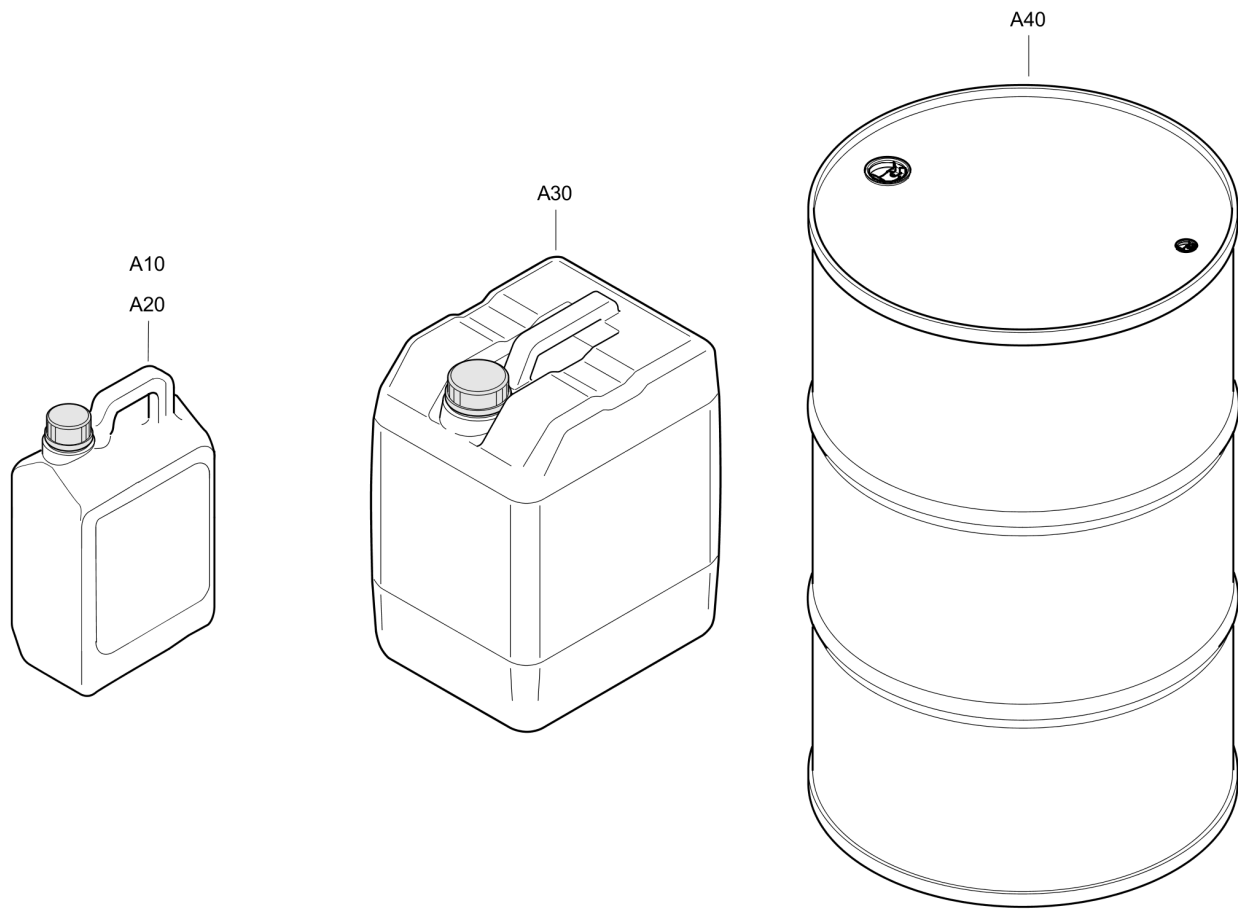


Refer to the Parts Online web page for most up-to-date information. The printed information might be outdated.

Item	Part No.	Name	Qty	L
Not Shown	-	Paroil E	AR	
A10	1615595300	Can Paroil E 5 Liter/1.32 Gallon	1	
A20	1615595400	Can Paroil E 20 Liter/5.3 Gallon	1	
A30	1615595500	Barrel Paroil E 210 Liter/55.5 Gallon	1	
A40	1630009600	Container Paroil E 1000 Liter/264.1 Gallon	1	
Not Shown	-	Paroil E Xtra	AR	
B10	1630013501	Can Paroil E Extra 5 Liter/1.32 Gallon	1	
B20	1630013601	Can Paroil E Extra 20 Liter/5.3 Gallon	1	
B30	1626010200	Barrel Paroil Extra 210 Liter/55.5 Gallon	1	
Not Shown	-	Paroil E Mission Green - for stage 3B/Tier 4 engines	AR	
C10	1630047100	Can Paroil Mission green 5 Liter/1.32 Gallon	1	
C20	1630047200	Can Paroil Mission green 20 Liter/5.3 Gallon	1	
C30	1630047300	Barrel Mission green 210 Liter/55.5 Gallon	1	

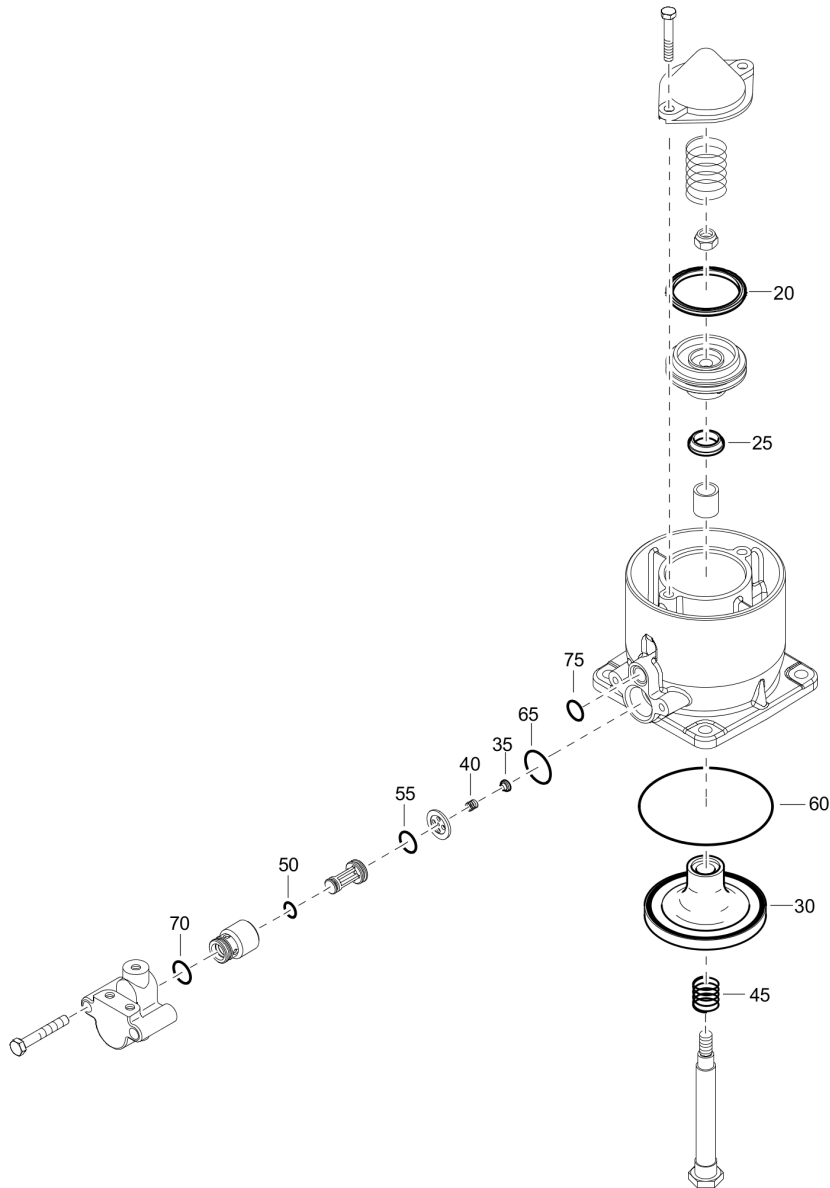
Refer to the Parts Online web page for most up-to-date information. The printed information might be outdated.

**Service Coolant**



Item	Part No.	Name	Qty	L
Not Shown	-	Parcool EG	-	
A10	1604815901	Can Parcool EG concentrate 5 Liter/1.32 Gallon	1	
A20	1604530801	Can Parcool EG 5 Liter/1.32 Gallon	1	
A30	1604530702	Can Parcool EG 20 Liter/5.3 Gallon	1	
A40	1604530601	Barrel Parcool EG 210 Liter/55.5 Gallon	1	

Service 2911005100\_00 Service kit - Unloading valve

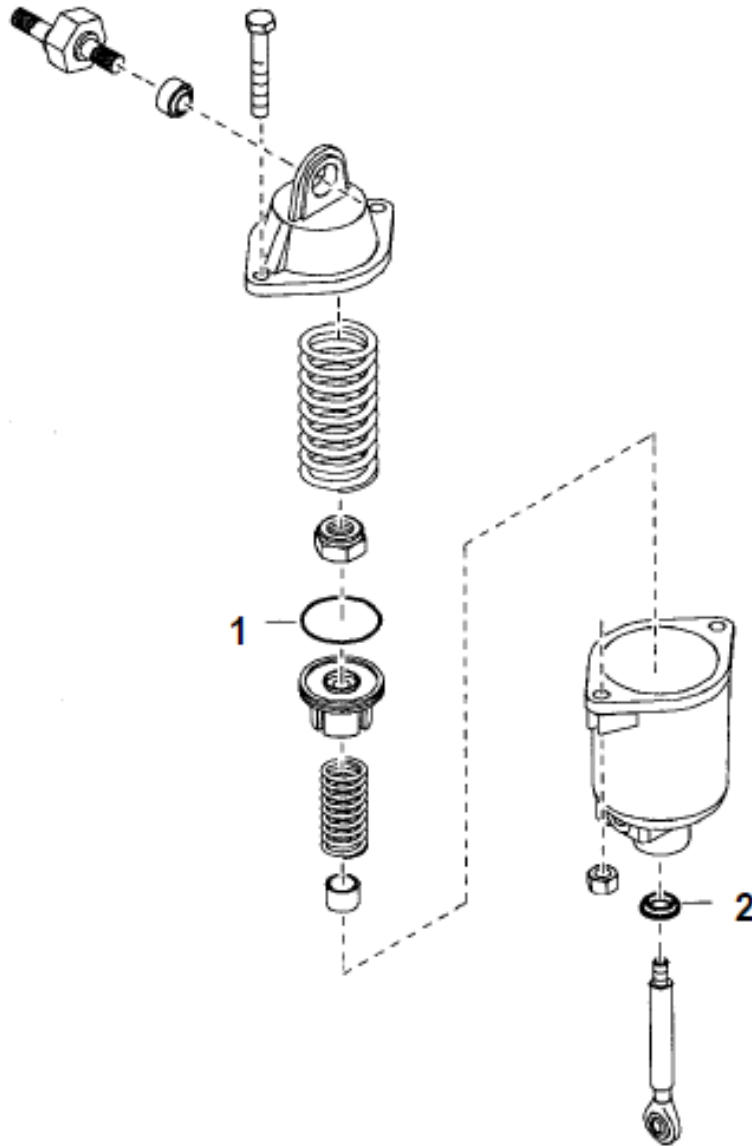


Refer to the Parts Online web page for most up-to-date information. The printed information might be outdated.

Item	Part No.	Name	Qty	L
-	2911005100	Service kit - Unloading valve	-	
20	-	Piston seal	1	
25	-	Wiper of actuating cylinder	1	
30	-	Valve	1	
35	-	Valve	1	
40	-	Spring	1	
45	-	Spring	1	
50	-	O-ring	1	
55	-	O-ring	1	
60	-	O-ring	1	
65	-	O-ring	1	
70	-	O-ring	1	
75	-	O-ring	1	

Refer to the Parts Online web page for most up-to-date information. The printed information might be outdated.

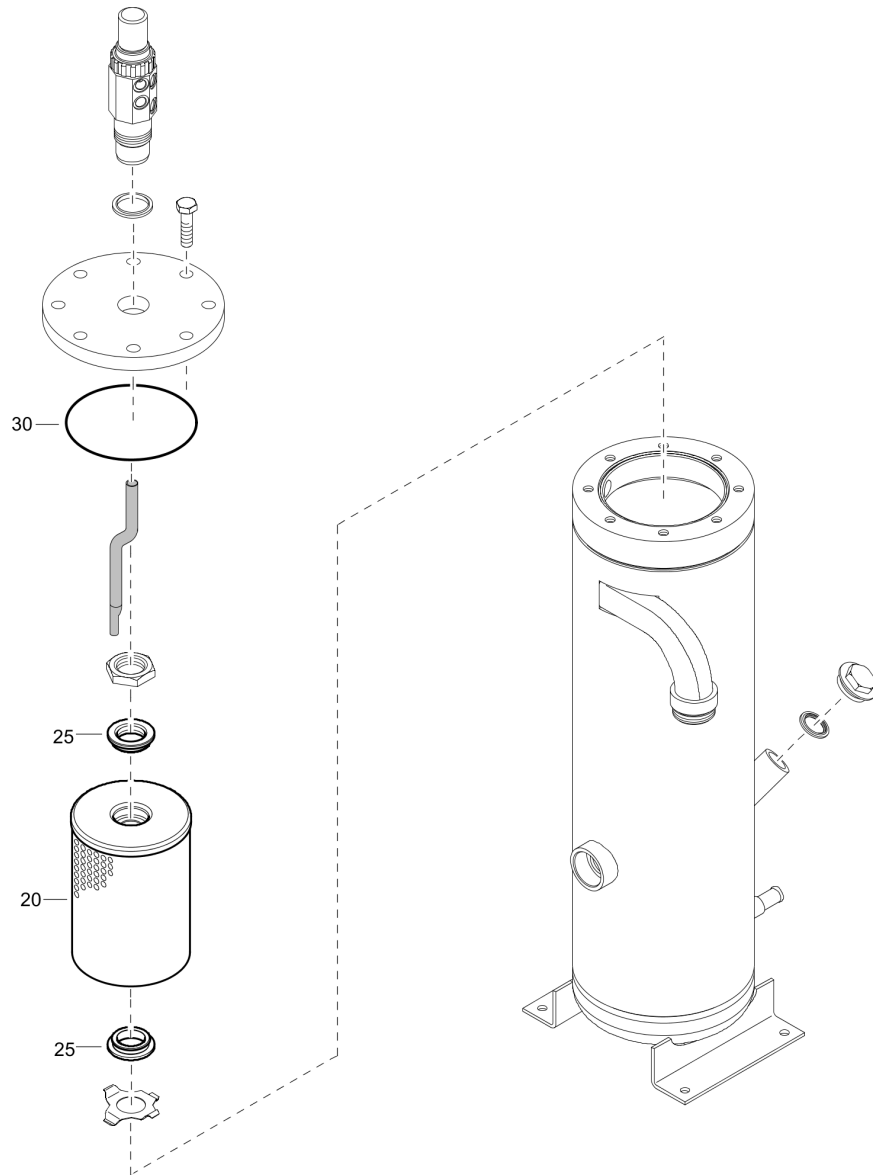
**Service** 2911005200\_00 Service kit - Speed regulator



Refer to the Parts Online web page for most up-to-date information. The printed information might be outdated.

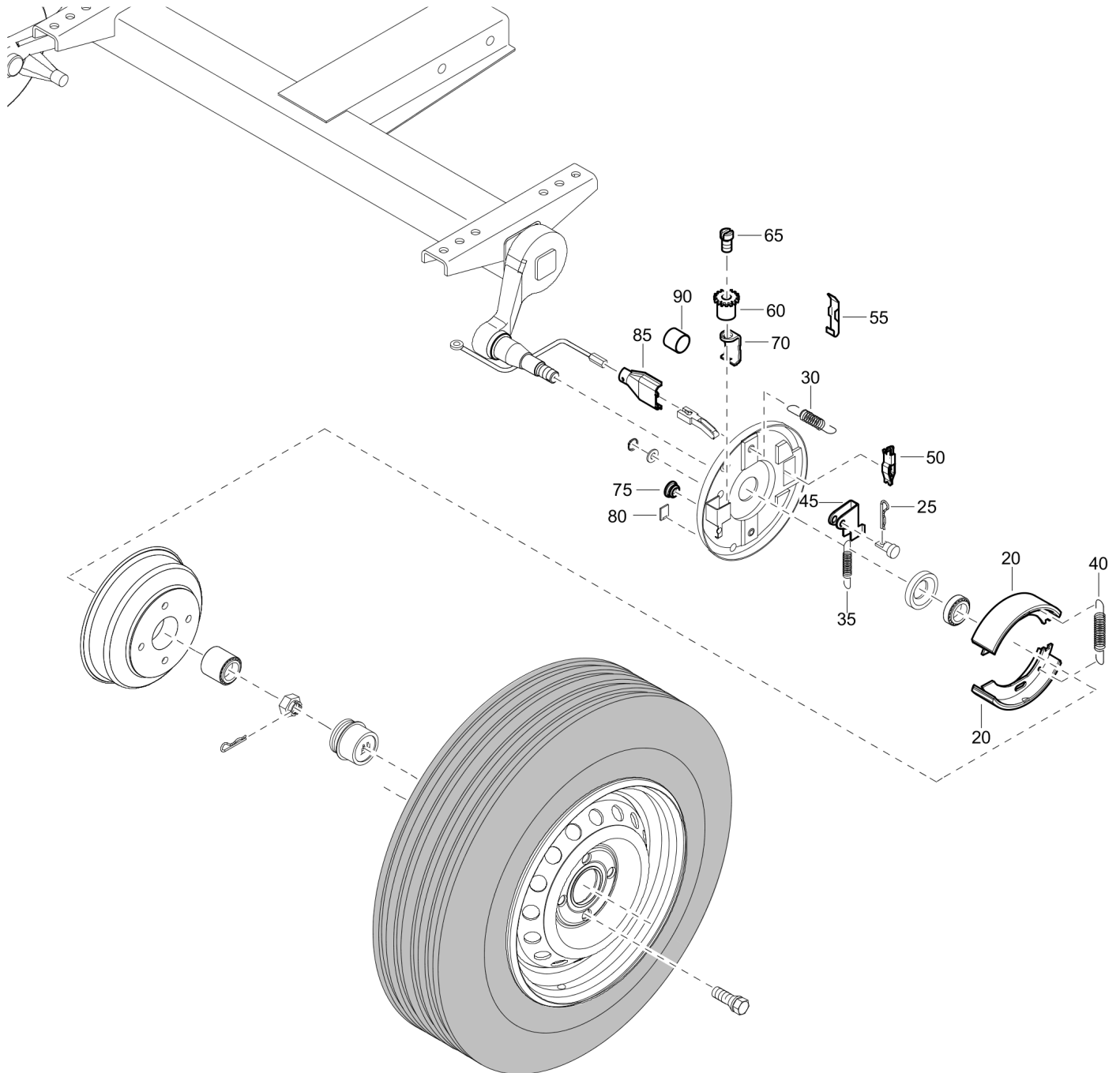
Item	Part No.	Name	Qty	L
-	2911005200	Service kit - Speed regulator	-	
20	-	PISTON SEAL	1	
25	-	WIPER	1	

Service 2911006800\_01 Service Kit - Oil Separator



Item	Part No.	Name	Qty	L
-	2911006800	Service kit - Oil separator	-	
20	-	Oil separator element	1	
25	-	O-ring	1	
30	-	Seal	1	

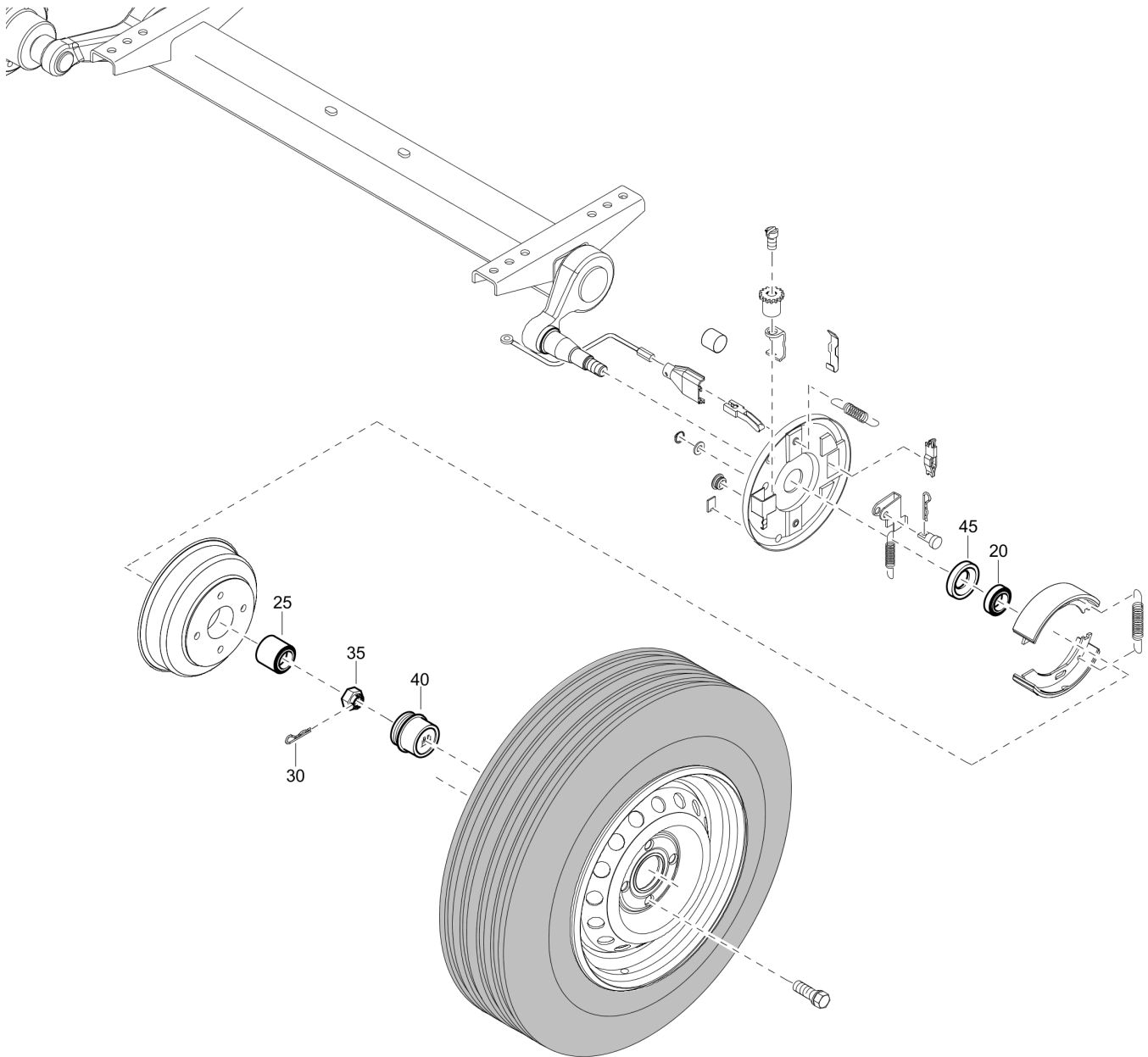
Service 1625001006\_01 Service kit - Brake shoes



Refer to the Parts Online web page for most up-to-date information. The printed information might be outdated.

Item	Part No.	Name	Qty	L
-	1625001006	Service kit - Brake shoes	-	
20	-	Brake shoe	2	
25	-	p{IN	2	
30	-	Spring	2	
35	-	Spring	2	
40	-	Spring	2	
45	-	Link	2	
50	-	Link	2	
55	-	Limit	2	
<p>Comments for Part Num. -</p> <p>Part of service kit, see Drawing 1625001006_01</p>				
60	-	Adjustable machine	1	
<p>Comments for Part Num. -</p> <p>Part of service kit, see Drawing 1625001006_01</p>				
65	-	Adjustable machine	1	
<p>Comments for Part Num. -</p> <p>Part of service kit, see Drawing 1625001006_01</p>				
70	-	Bracket	2	
75	-	Plug	4	
80	-	Bracket	2	
85	-	Protection	2	
<p>Comments for Part Num. -</p> <p>Part of service kit, see Drawing 1625001006_01</p>				
90	-	Clip	2	

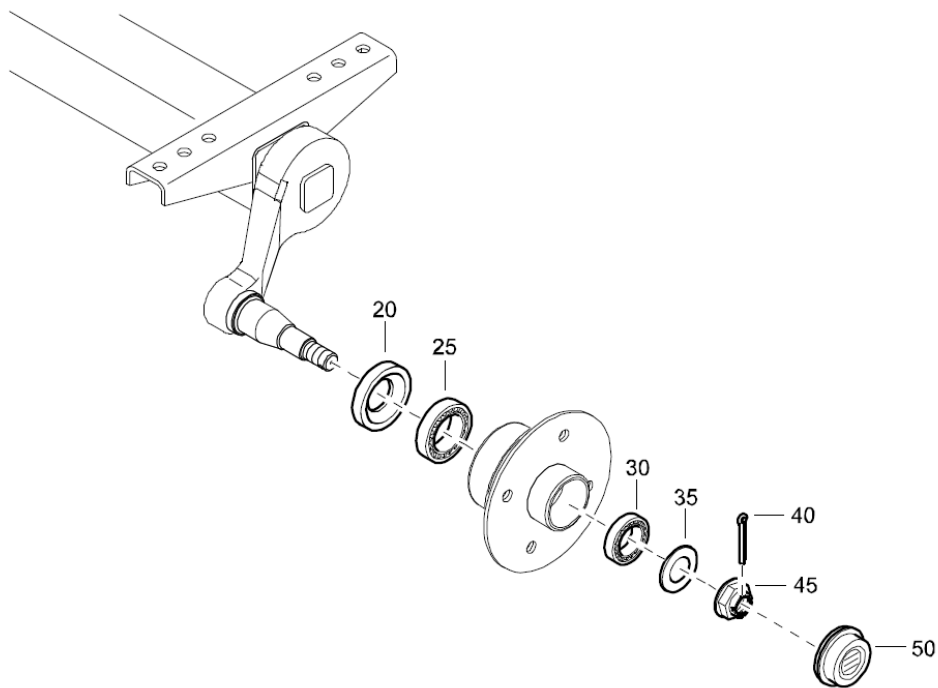
**Service** 1625001007\_01 Service kit - Road axle bearing with brakes



Refer to the Parts Online web page for most up-to-date information. The printed information might be outdated.

Item	Part No.	Name	Qty	L
-	1625001007	Service kit - Road axle bearing with brakes	-	
20	-	Bearing	2	
25	-	Bearing	2	
30	-	Spilt pin	2	
35	-	Nut	2	
40	-	Cap	2	
45	-	Ring	2	

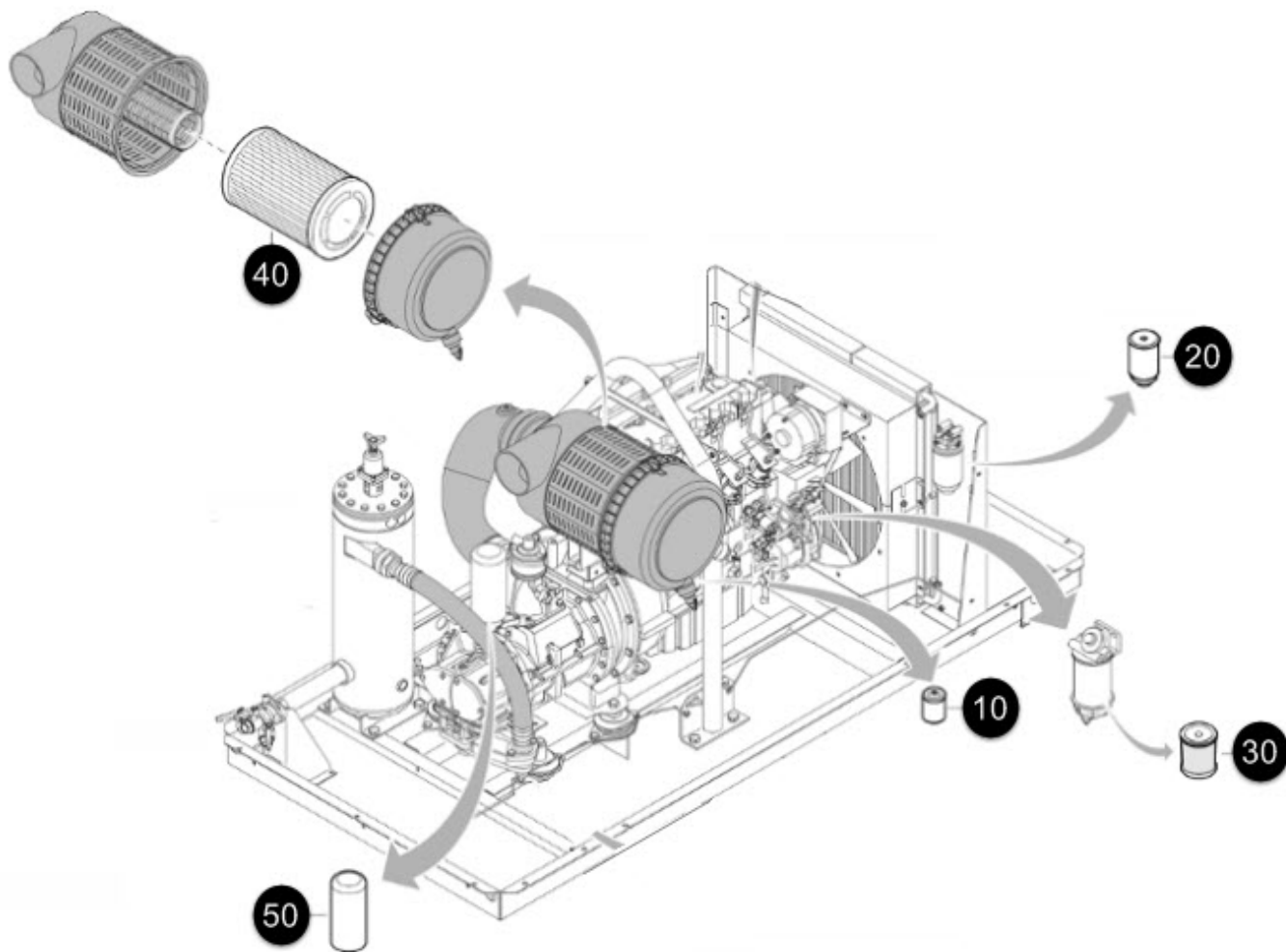
**Service** 1625001008\_01 Service kit - Road axle bearing without brakes



Refer to the Parts Online web page for most up-to-date information. The printed information might be outdated.

Item	Part No.	Name	Qty	L
-	1625001008	Service kit - Road axle bearing without brake	-	
20	-	Shaft seal	2	
25	-	Bearing	2	
30	-	Bearing	2	
35	-	Washer	2	
40	-	Spilt nut	2	
45	-	Nut	2	
50	-	Cap	2	

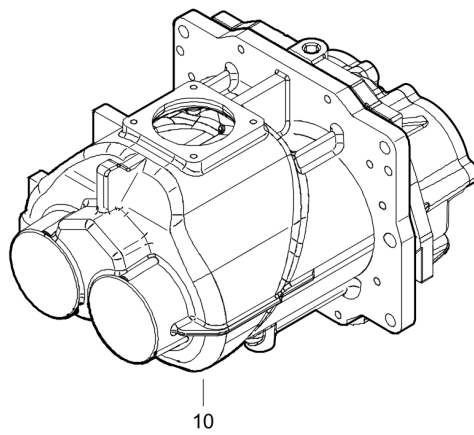
Service Kits Multi-Pack



Refer to the Parts Online web page for most up-to-date information. The printed information might be outdated.

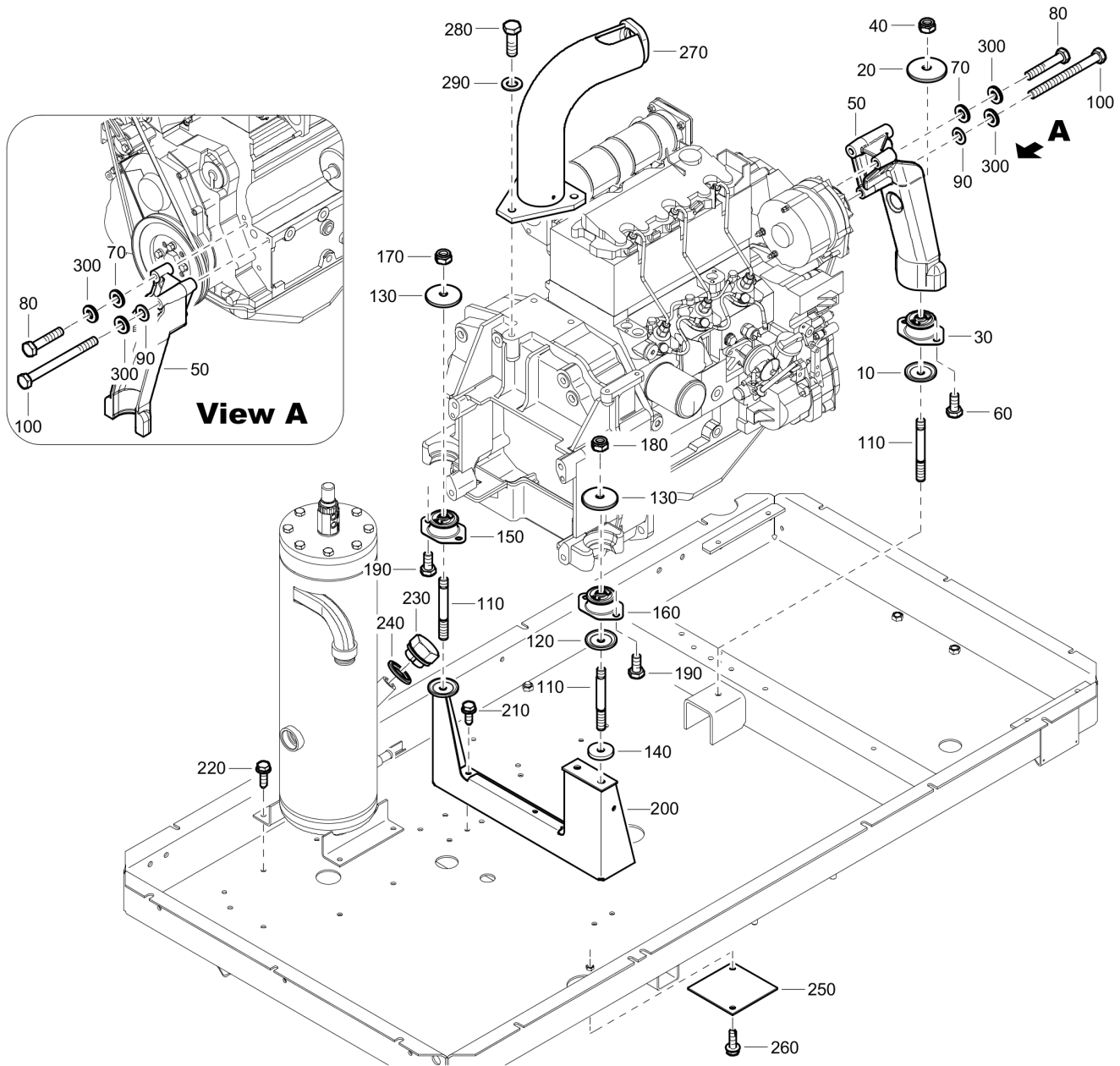
Item	Part No.	Name	Qty	L
A	-	Kits Multi-Pack 10 Unit.		
10	1636310545	Oil Filter (X10) Multi-Pack	10	
-	2914805800	Oil filter	1	
20	1636310546	Fuel Filter (X10) Multi-Pack	10	
-	2900068700	Fuel filter	1	
30	1636310507	Fuel Pre-Filter (X10) Multi-Pack	10	
-	2914809200	Fuel filter	1	
40	1636310508	Air Filter (X10) Multi-Pack	10	
-	2914502900	Air filter element	1	
50	1636310509	Oil Filter Compressor (X10) Multi-Pack	10	
-	1613610590	Oil filter elemnet	1	
B	-	Kits Multi-Pack 24 Unit.		
10	1636310550	Oil Filter (X24) Multi-Pack	24	
-	2914805800	Oil filter	1	
20	1636310551	Fuel Filter (X24) Multi-Pack	24	
-	2900068700	Fuel filter	1	
30	1636310512	Fuel Pre-Filter (X24) Multi-Pack	24	
-	2914809200	Fuel filter	1	
40	1636310513	Air Filter (X24) Multi-Pack	24	
-	2914502900	Air filter element	1	
50	1636310514	Oil Filter Compressor (X24) Multi-Pack	24	
-	1613610590	Oil filter elemnet	1	

**Mechanical** 1611710214\_00 ELEMENT AND MOUNTS



Item	Part No.	Name	Qty	L
10	1616719480	Service element	1	

Mechanical 1092061423\_06 FRAME AND MOUNTS

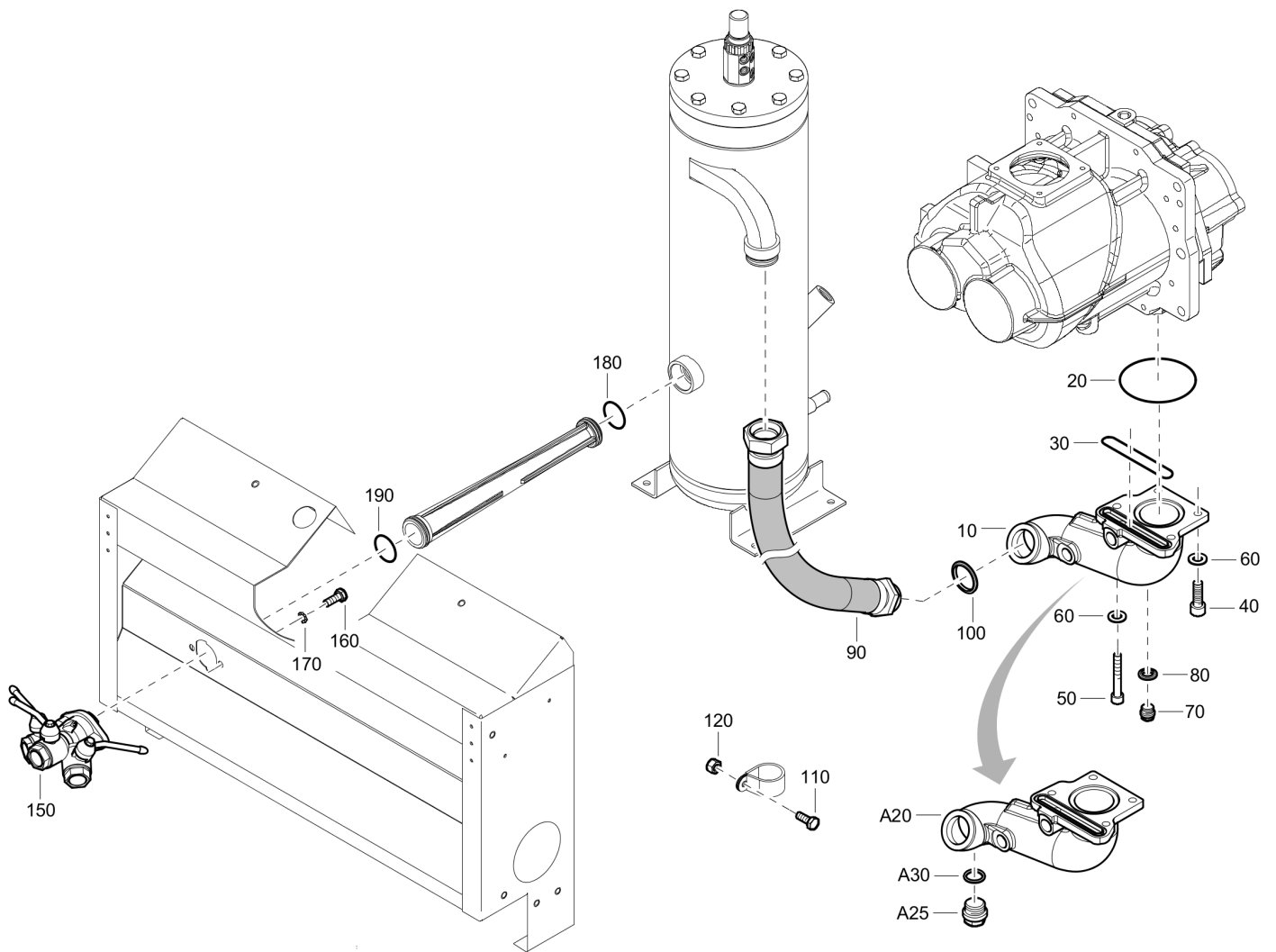


Refer to the Parts Online web page for most up-to-date information. The printed information might be outdated.

Item	Part No.	Name	Qty	L
10	1202871900	Washer	1	
20	1604422001	Disk	1	
30	1615830900	Antivibration pad	1	
40	0291111100	Locknut	1	
50	1604399100	Support	1	
60	0147136003	Hexagon bolt	2	
70	0333520013	Lock washer	1	
80	0147136803	Hexagon bolt	1	
90	0301234400	Plain washer	1	
100	0147137903	Hexagon head screw	2	
110	0246195655	Stud M10x87	3	
120	1202871900	Washer	1	
130	1604422001	Disk	2	
140	1604390600	Spacer	1	
150	1202900602	Vibrat mount	1	
160	1202900603	Antivibration pad	1	
170	0291111100	Locknut	1	
180	0291111100	Locknut	1	
190	0147136003	Hexagon bolt	4	
200	1092032357	Engine support	1	
210	1619276600	Screw DIN933	4	
220	1615566400	Hexagon bolt	4	
230	1615508000	Hexagon plug	1	
240	0661100029	Seal washer	1	
250	1604541903	Cover	1	
260	1615566400	Hexagon bolt	2	
270	1604409931	Lifting eye	1	
280	0147140203	Screw DIN933	3	
290	0301235800	Washer DIN125	3	
300	0333520013	Lock washer	2	

Refer to the Parts Online web page for most up-to-date information. The printed information might be outdated.

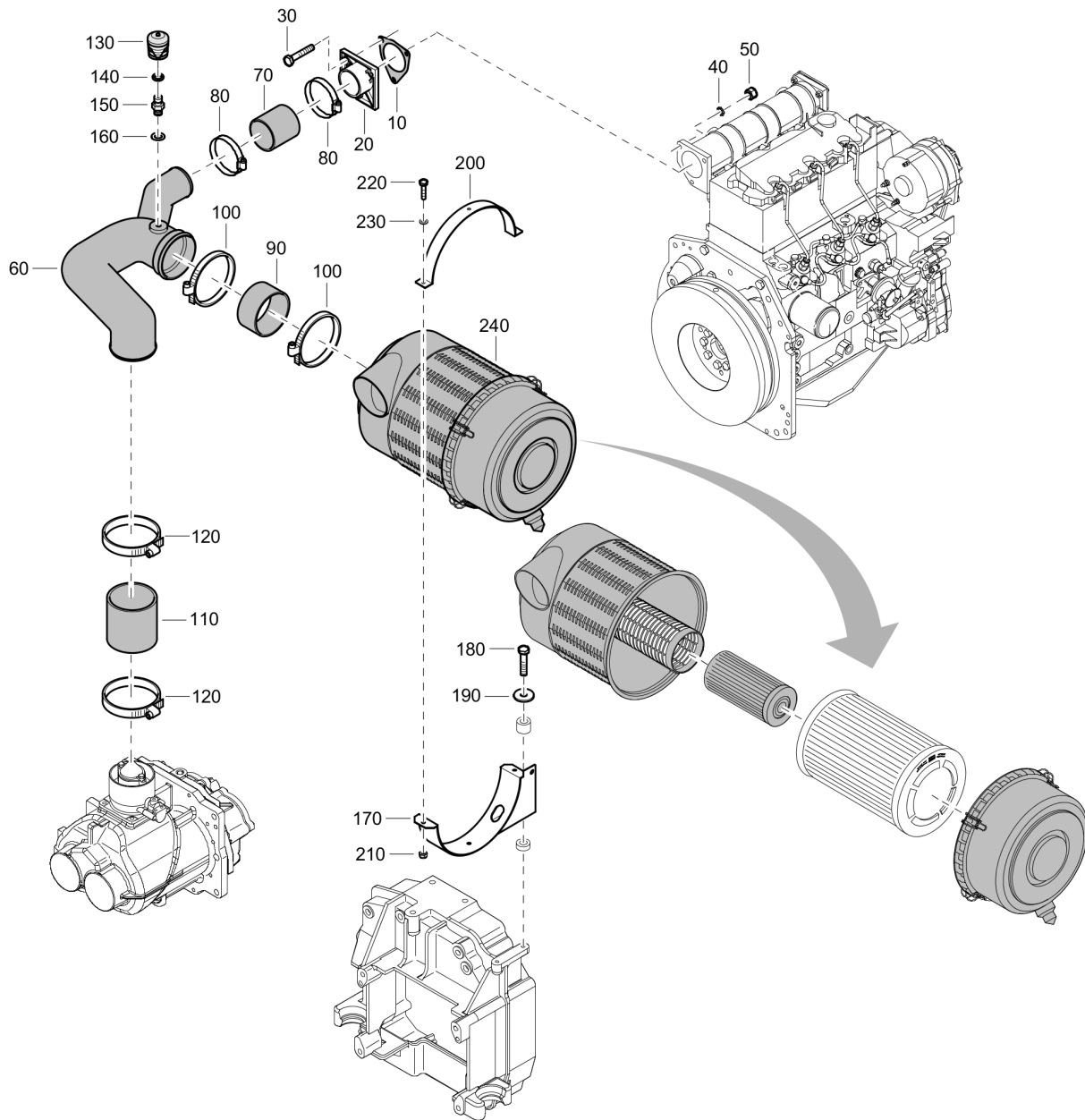
Mechanical 1611737214\_09 Air outlet



Refer to the Parts Online web page for most up-to-date information. The printed information might be outdated.

Item	Part No.	Name	Qty	L
10	1604577781	Manifold assembly	1	
A20	1094154000	Manifold	1	
A25	0686423018	Hexagon plug	1	
A30	0653111500	Flat gasket	1	
20	0663713700	O-ring	1	
30	0663714100	O-ring	1	
40	0211196415	Hex. head screw	3	
50	0211196403	Screw	1	
60	0301234400	Plain washer	4	
70	0686371601	Plug	1	
80	0661100025	Seal washer	1	
90	1094156800	Hose assembly	1	
100	0661100045	Seal washer	1	
110	0147132203	Hex head screw	1	
120	0266211000	Nut DIN934	1	
150	1626857390	Valve	1	
160	0211132300	Hex sock. screw	2	
170	0333322700	Lock washer	2	
180	0663313100	O-ring	1	
190	0663313000	O-ring	1	

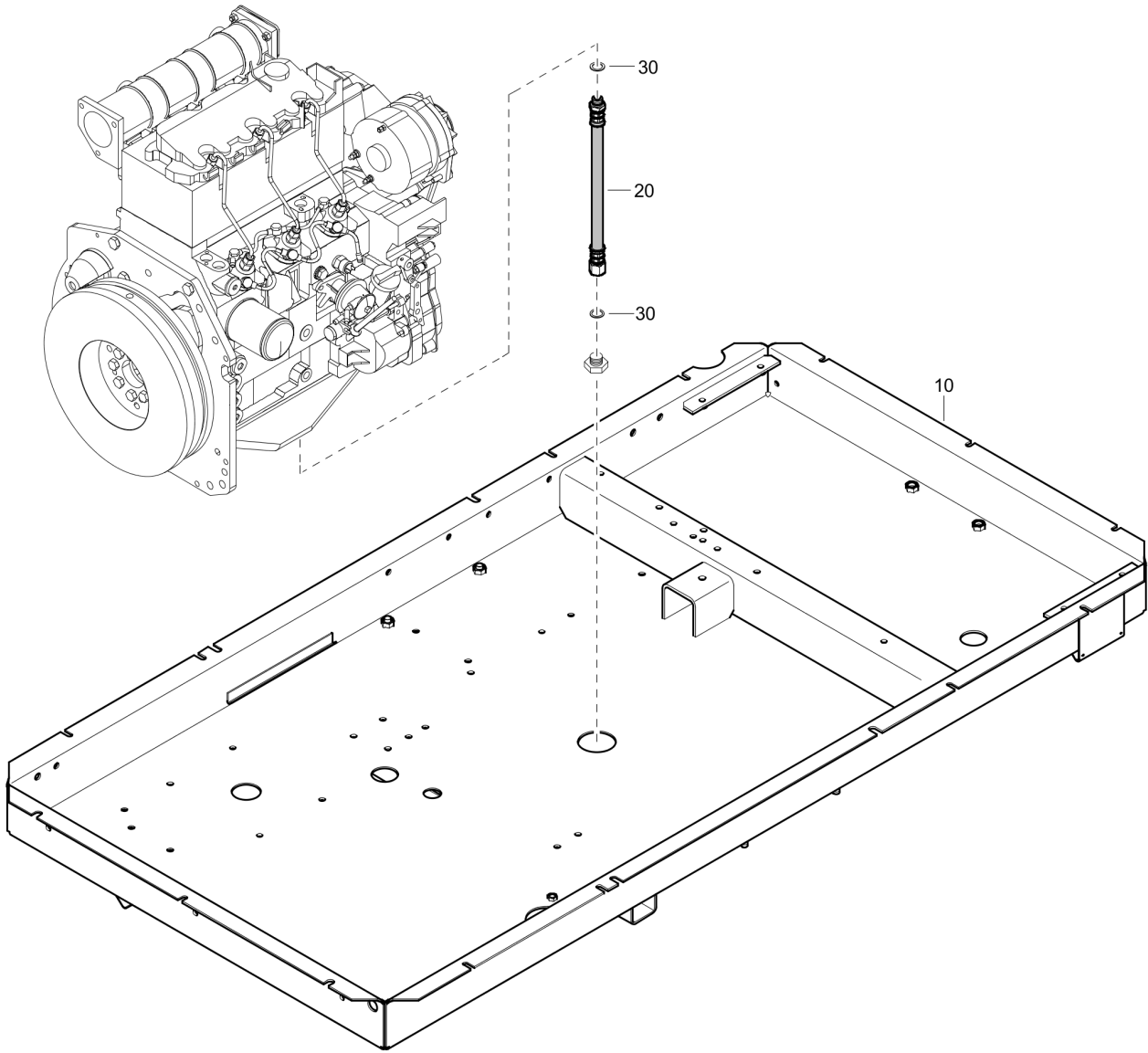
Mechanical 1611740029\_03 AIR INLET



Refer to the Parts Online web page for most up-to-date information. The printed information might be outdated.

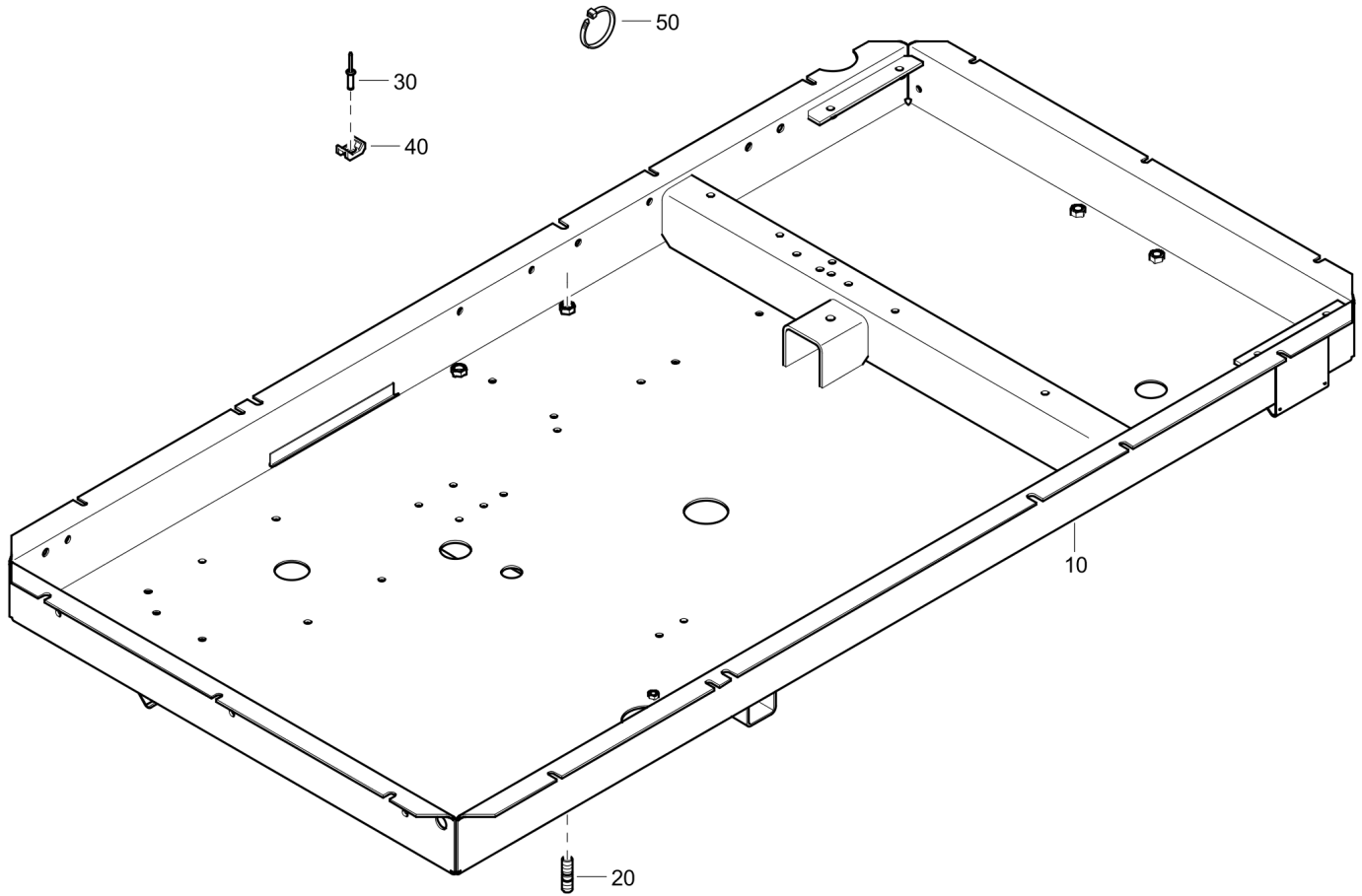
Item	Part No.	Name	Qty	L
10	1202991000	Gasket	1	
20	1092039463	ADAPTOR	1	
30	0147132803	Hexagon bolt	3	
40	0333322700	Lock washer	3	
50	0266211000	Nut DIN934	3	
60	1615939600	Air duct	1	
70	1615770400	Hose	1	
80	0347611600	Hose clip	2	
90	1615943800	Hose	1	
100	0347611500	Fab clamp	2	
110	1615770600	Hose	1	
120	0347611500	Fab clamp	2	
130	1613791201	Indicator	1	
140	0661101400	Sealing washer	1	
150	1612215200	Nipple hexagon	1	
160	0653104600	Flat gasket	1	
170	1615944100	Bracket	1	
180	0147132303	Bolt	2	
190	0301233500	Plain washer	2	
200	1615943900	Clamp	1	
210	0291110800	Nut DIN985	2	
220	0147124903	Hex. head screw	2	
230	0301232100	Plain washer	2	
240	1615938801	Air filter	1	

**Mechanical** 1092061270\_01 FRAME - NOT SPILLAGE FREE



Item	Part No.	Name	Qty	L
10	1625001507	FRAME ASSY	1	
20	1092032325	Hose line	1	
30	0653111500	Flat gasket	2	

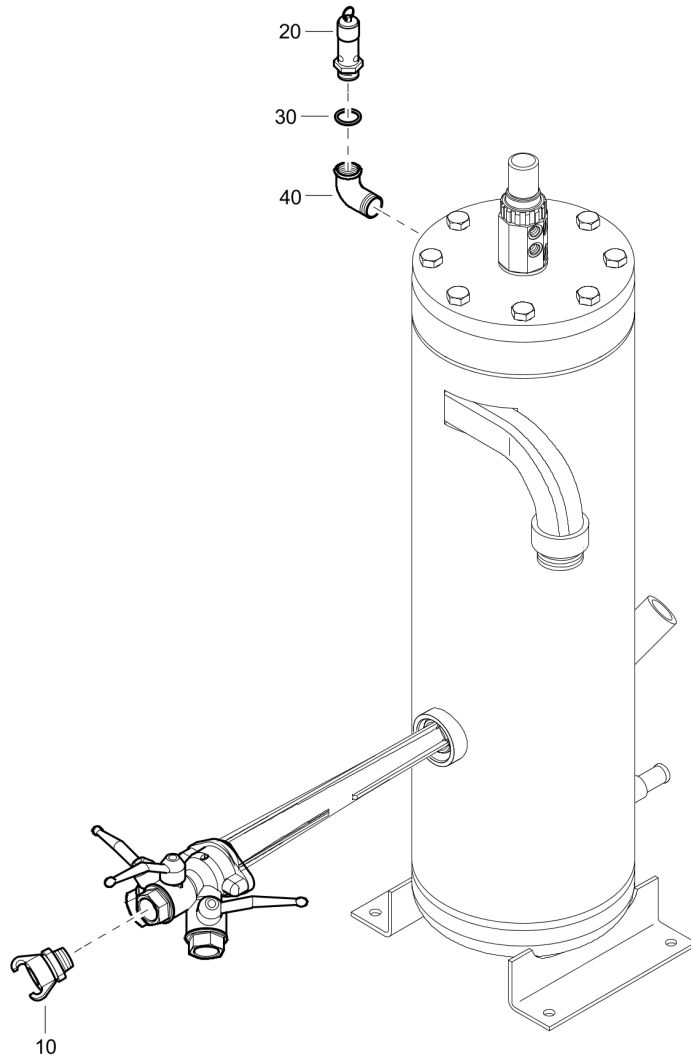
**Mechanical** 1625001507\_01 FRAME ASSEMBLY



Refer to the Parts Online web page for most up-to-date information. The printed information might be outdated.

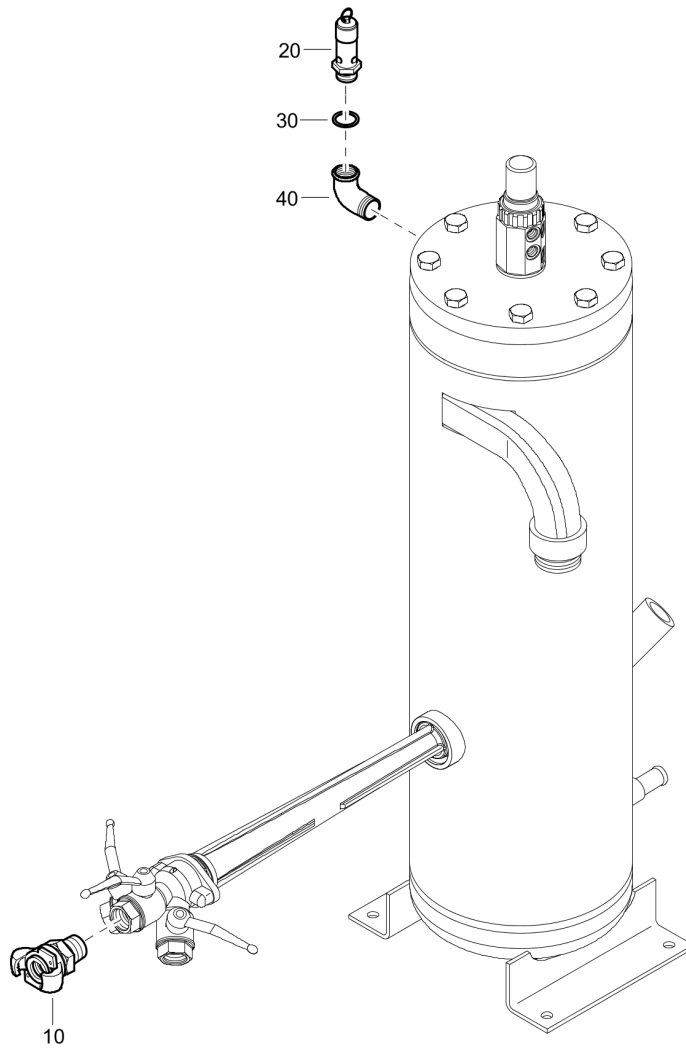
Item	Part No.	Name	Qty	L
10	1092035833	FRAME	1	
20	0246195657	Stud	4	
30	0129311000	Rivet	1	
40	0348011003	Anchor plate	1	
50	0348010105	Cable tie	1	

**Mechanical** 1092061364\_00 COUNTRY SET - XAS 67



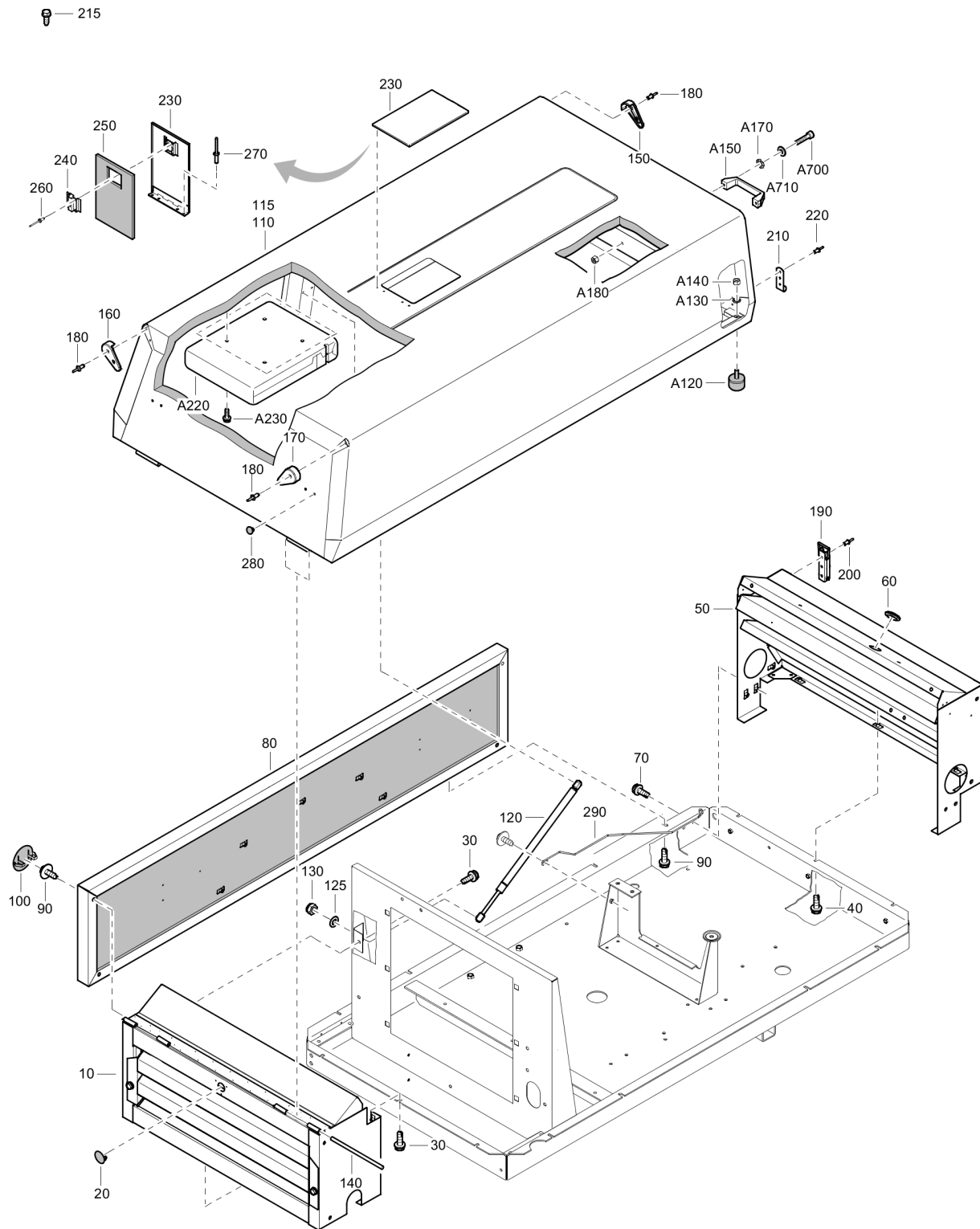
Item	Part No.	Name	Qty	L
10	1310136500	Coupling claw	3	
20	1092039433	Safety valve sql	1	
30	0653112400	Flat washer	1	
40	0560020023	Elbow	1	

**Mechanical** 1092061366\_00 COUNTRY SET - FOR CE, ASME



Item	Part No.	Name	Qty	L
10	1310136500	Coupling claw	3	
20	0830100518	Safety valve	1	
30	0653112400	Flat washer	1	
40	0560020023	Elbow	1	

Mechanical 1092061298\_13 Bodywork and Mounts



Refer to the Parts Online web page for most up-to-date information. The printed information might be outdated.

Item	Part No.	Name	Qty	L
10	1094102680	Front baffle assembly	1	
20	1626412100	Plug	1	
30	1615566400	Hexagon bolt	7	
40	1615566400	Hexagon bolt	3	
50	1092061427	Rear baffle assembly	1	
60	1088080142	Grommet	1	
70	1604342300	Scraper bolt	4	
80	1092061494	Side panel assembly	1	
90	1615566400	Hexagon bolt	8	
100	1604385800	Plug	8	
110	1094102780	Hood assembly	1	
115	1092061248	Hood access & mount	1	
A120	1604186900	Buffer	2	
A130	0333322000	Washer	2	
A140	0266210800	Nut	2	
A150	1202867300	Handgrip	1	
A170	0301232100	Plain washer	2	
A180	0266210800	Nut	2	
A220	1604220600	Document holder	1	
A230	1619589801	Screw DIN6900	4	
A700	0211124903	Hexagon sock screw	2	
A710	0300027432	Washer	4	
120	1092042474	Gas spring	2	
125	0301233500	Plain washer	2	
130	0291110800	Nut DIN985	2	
140	1605002500	Rod	2	
150	1604405600	Protection	2	
160	1604405700	Protection	1	
170	1604406200	Protection	1	
180	0129310300	Blind rivet	8	
190	1094323800	Latch	2	
200	0129317401	Blind rivet	6	
210	1604673300	Catch	2	
215	1619589801	Screw DIN6900	2	
220	0129317401	Blind rivet	6	

Refer to the Parts Online web page for most up-to-date information. The printed information might be outdated.

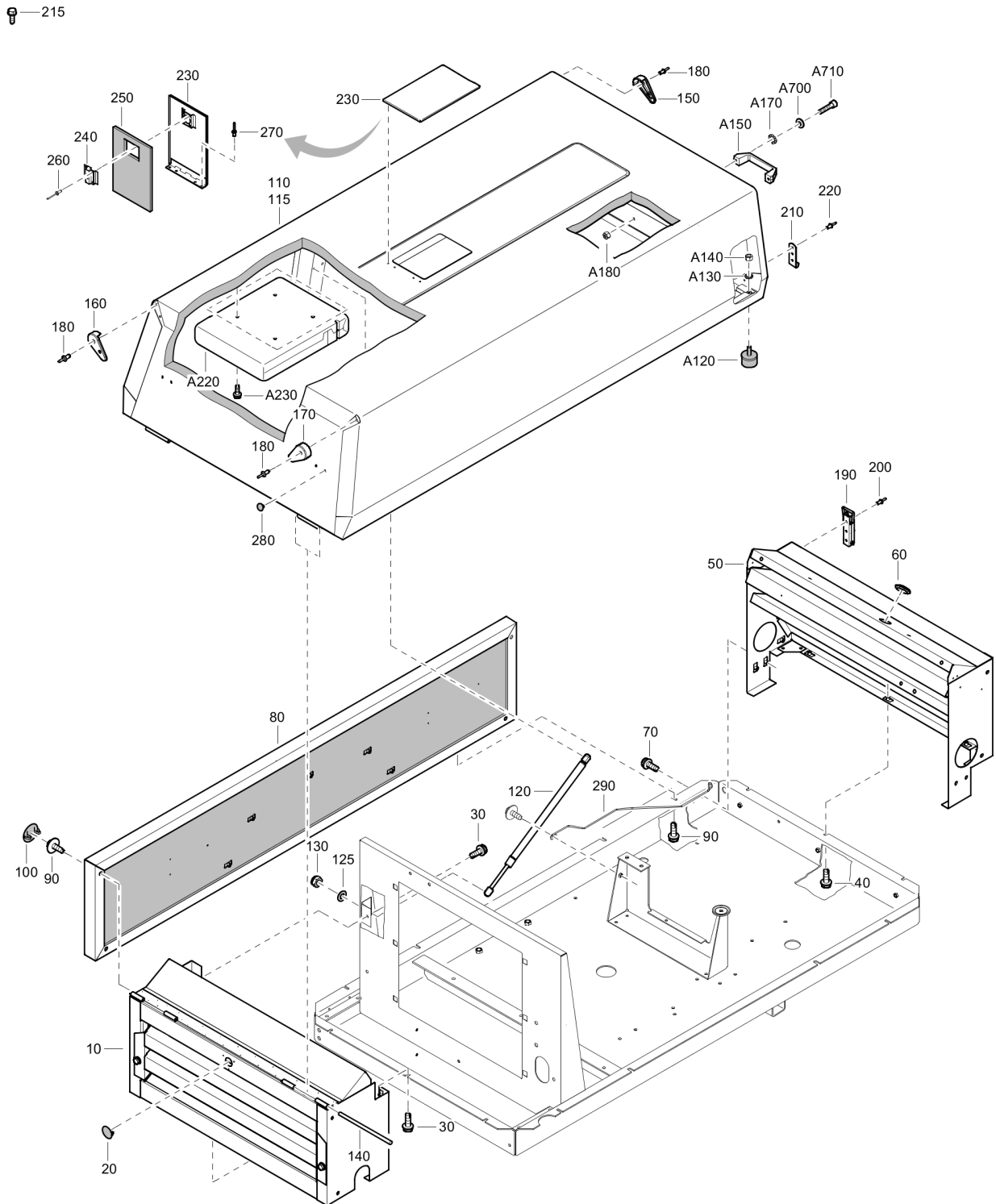
Item	Part No.	Name	Qty	L
230	1604384601	Door	1	
240	1613665001	Lock	1	
250	1604618100	Seal	1	
260	0129310800	Blind rivet	4	
270	0129310100	Rivet	4	
280	0686925286	Plug	4	
290	1605076700	Guide wire	1	

---

Refer to the Parts Online web page for most up-to-date information. The printed information might be outdated.

This page intentionally left blank

Mechanical 1625090132\_04 Bodywork and Mounts



Refer to the Parts Online web page for most up-to-date information. The printed information might be outdated.

Item	Part No.	Name	Qty	L
10	1094102680	Front baffle assembly	1	
20	1626412100	Plug	3	
30	1615566400	Hexagon bolt	7	
40	1615566400	Hexagon bolt	3	
50	1092061427	Rear baffle assembly	1	
60	1088080142	Grommet	1	
70	1604342300	Scraper bolt	4	
80	1092061494	Side panel assembly	1	
90	1615566400	Hexagon bolt	8	
100	1604385800	Plug	6	
110	1094102780	Hood assembly	1	
115	1092061248	Hood access & mount	1	
A120	1604186900	Buffer	2	
A130	0333322000	Washer	2	
A140	0266210800	Nut	2	
A150	1202867300	Handgrip	1	
A170	0301232100	Plain washer	2	
A180	0266210800	Nut	2	
A220	1604220600	Document holder	1	
A230	1619589801	Screw DIN6900	4	
A700	0211124903	Hexagon sock screw	2	
A710	0300027432	Washer	4	
120	1092042474	Gas spring	2	
125	0301233500	Plain washer	2	
130	0291110800	Nut DIN985	2	
140	1605002500	Rod	2	
150	1604405600	Protection	2	
160	1604405700	Protection	1	
170	1604406200	Protection	1	
180	0129310300	Blind rivet	8	
190	1094323800	Latch	2	
200	0129317401	Blind rivet	6	
210	1604673300	Catch	2	
215	1619589801	Screw DIN6900	2	
220	0129317401	Blind rivet	6	

Refer to the Parts Online web page for most up-to-date information. The printed information might be outdated.

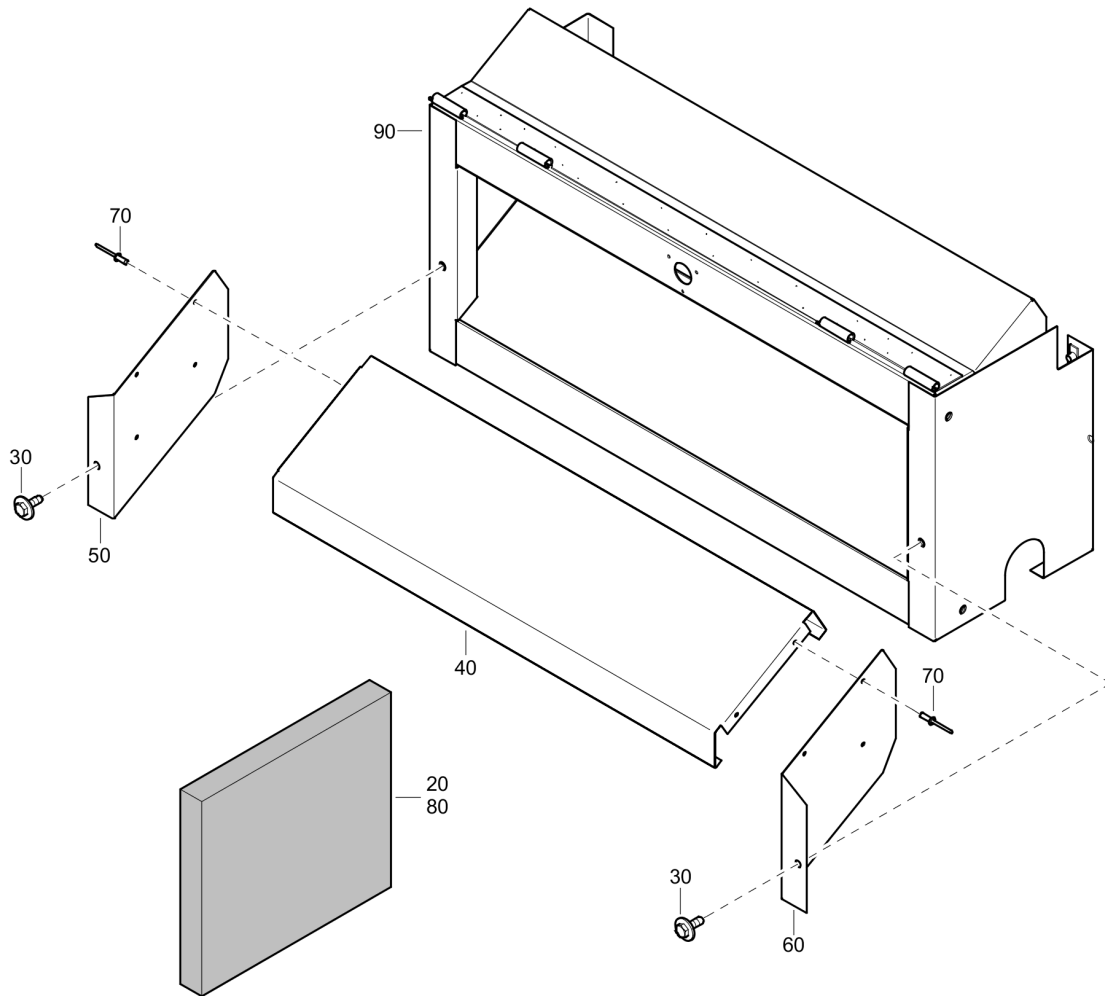
Item	Part No.	Name	Qty	L
230	1604384601	Door	1	
240	1613665001	Lock	1	
250	1604618100	Seal	1	
260	0129310800	Blind rivet	4	
270	0129310100	Rivet	4	
280	0686925286	Plug	4	
290	1605076700	Guide wire	1	

---

Refer to the Parts Online web page for most up-to-date information. The printed information might be outdated.

This page intentionally left blank

**Mechanical** 1092061426\_02 Front baffle assembly

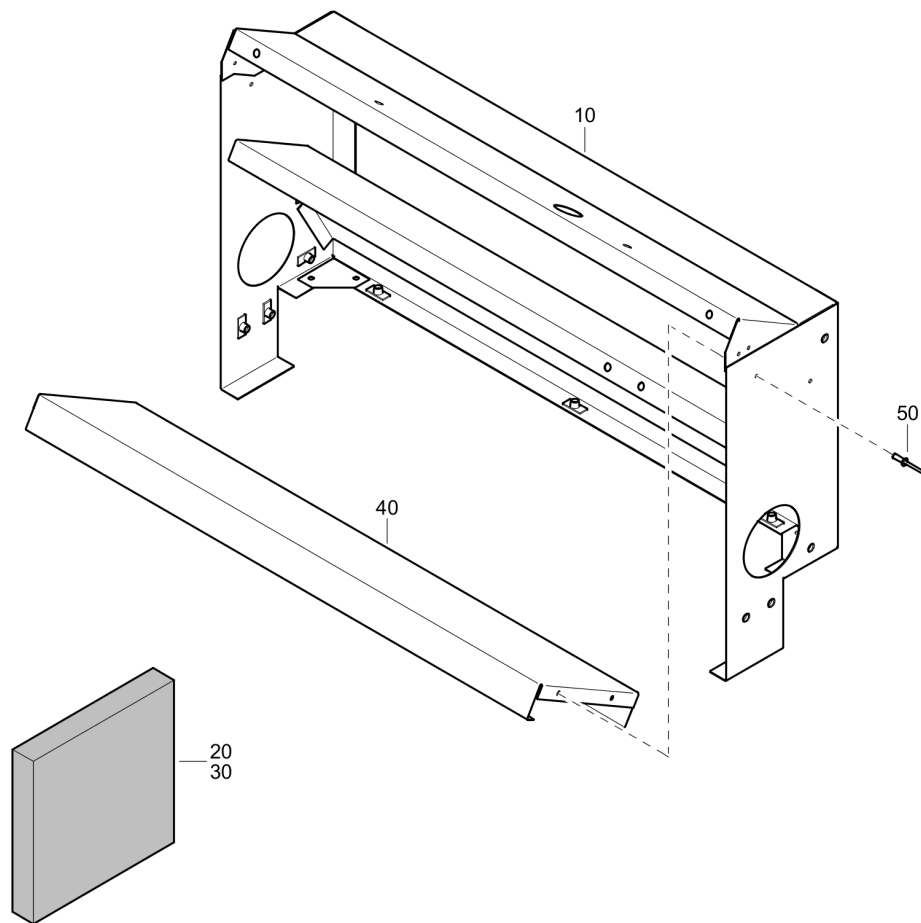


Refer to the Parts Online web page for most up-to-date information. The printed information might be outdated.

Item	Part No.	Name	Qty	L
20	-	Silencing foam	AR	
30	1604342300	Scraper bolt	2	
40	1604400301	Baffle	2	
50	1604400401	Plate	1	
60	1604400501	Plate	1	
70	0129317201	Rivet	8	
80	-	Silencing foam	AR	
90	1092032700	Baffle	1	

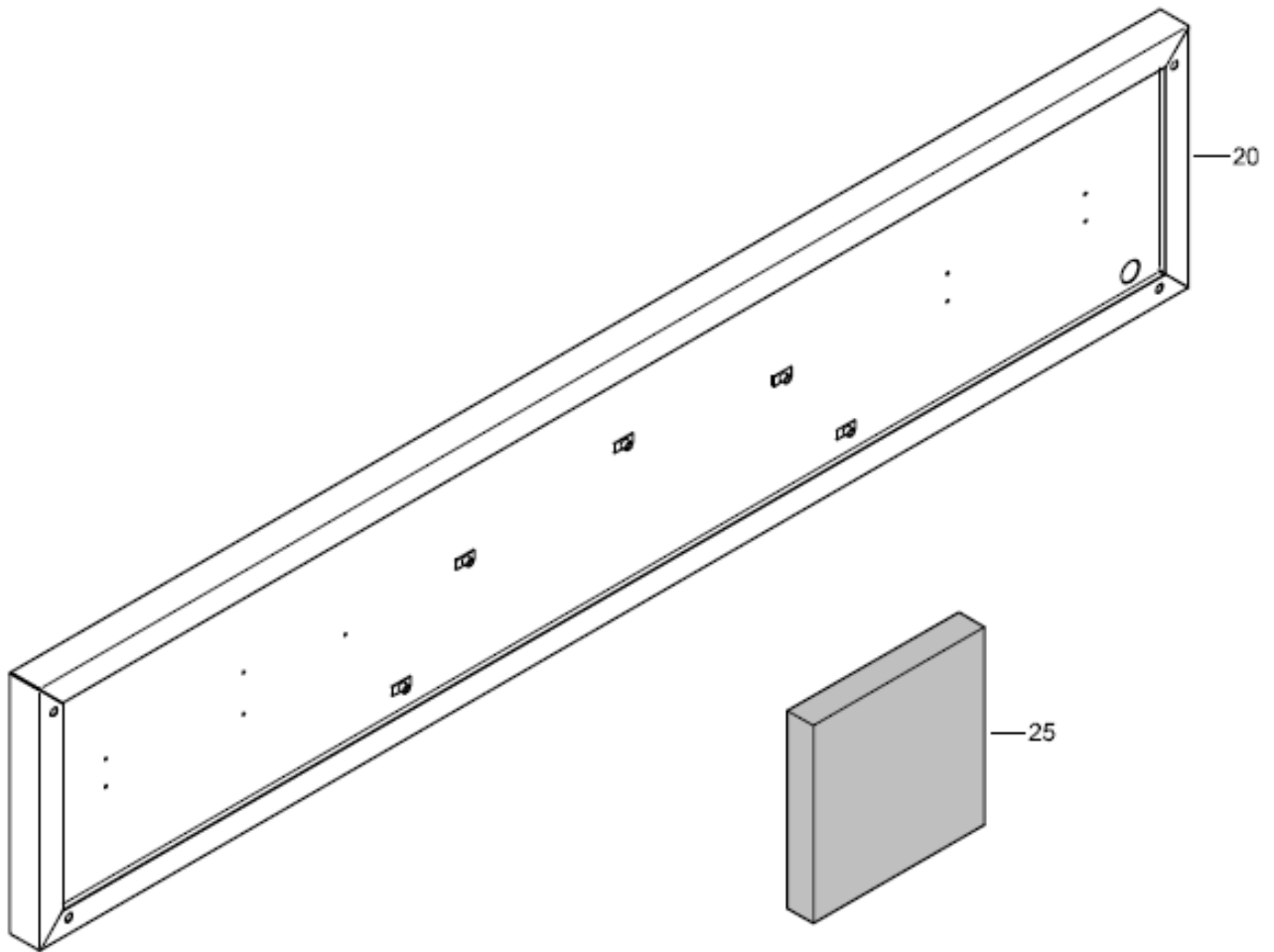
Refer to the Parts Online web page for most up-to-date information. The printed information might be outdated.

**Mechanical** 1092061427\_02 Rear baffle assembly



Item	Part No.	Name	Qty	L
10	1092042306	Baffle	1	
20	-	Silencing foam	AR	
30	-	Silencing foam	AR	
40	1604406601	Baffle	1	
50	0129310100	Rivet	4	

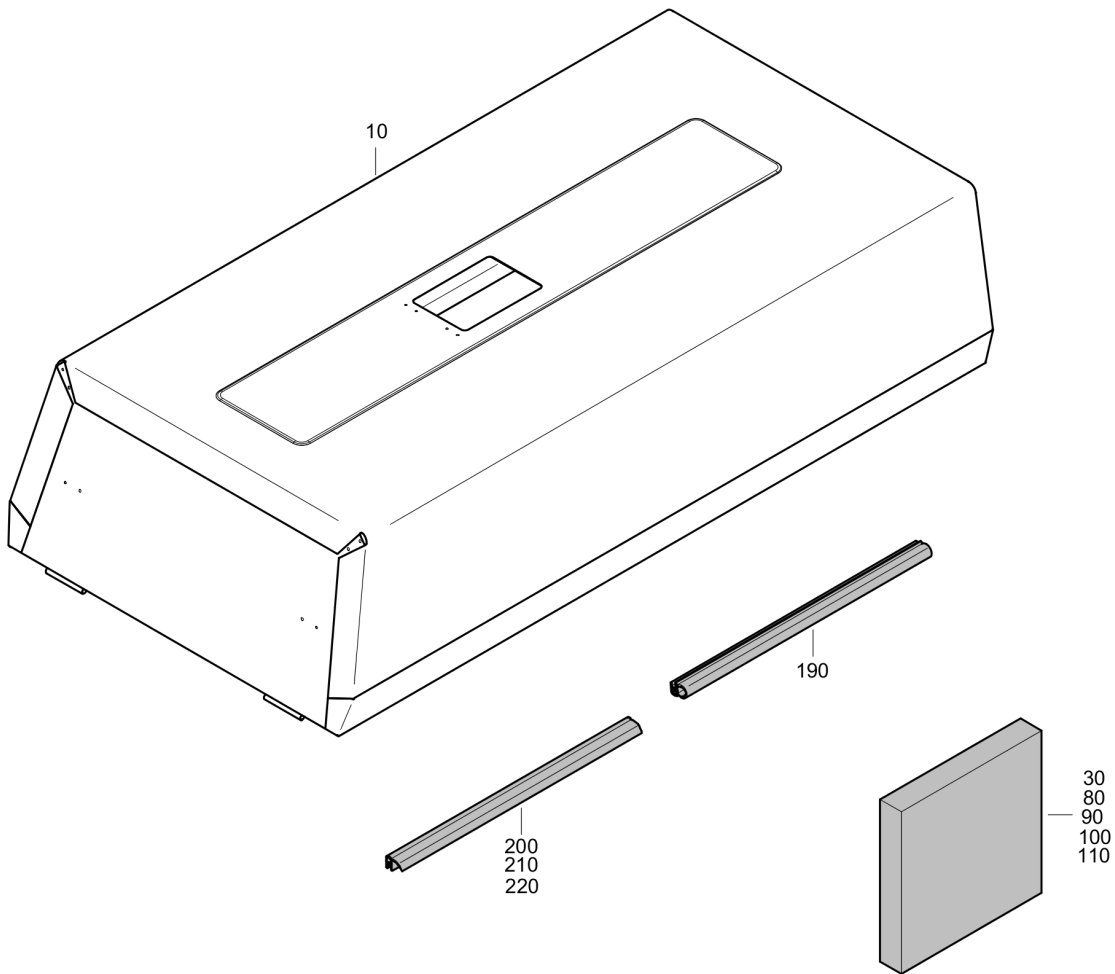
**Mechanical** 1092061494\_01 SIDE PANEL ASSEMBLY



Refer to the Parts Online web page for most up-to-date information. The printed information might be outdated.

Item	Part No.	Name	Qty	L
-	1092061494	Side panel assembly	-	
10	1092049838	SIDE PANEL	1	
20	1604408030	SILENCING FOAM	1	
90	1615566400	Hexagon bolt	8	

**Mechanical** 1092061247\_02 HOOD ASSEMBLY

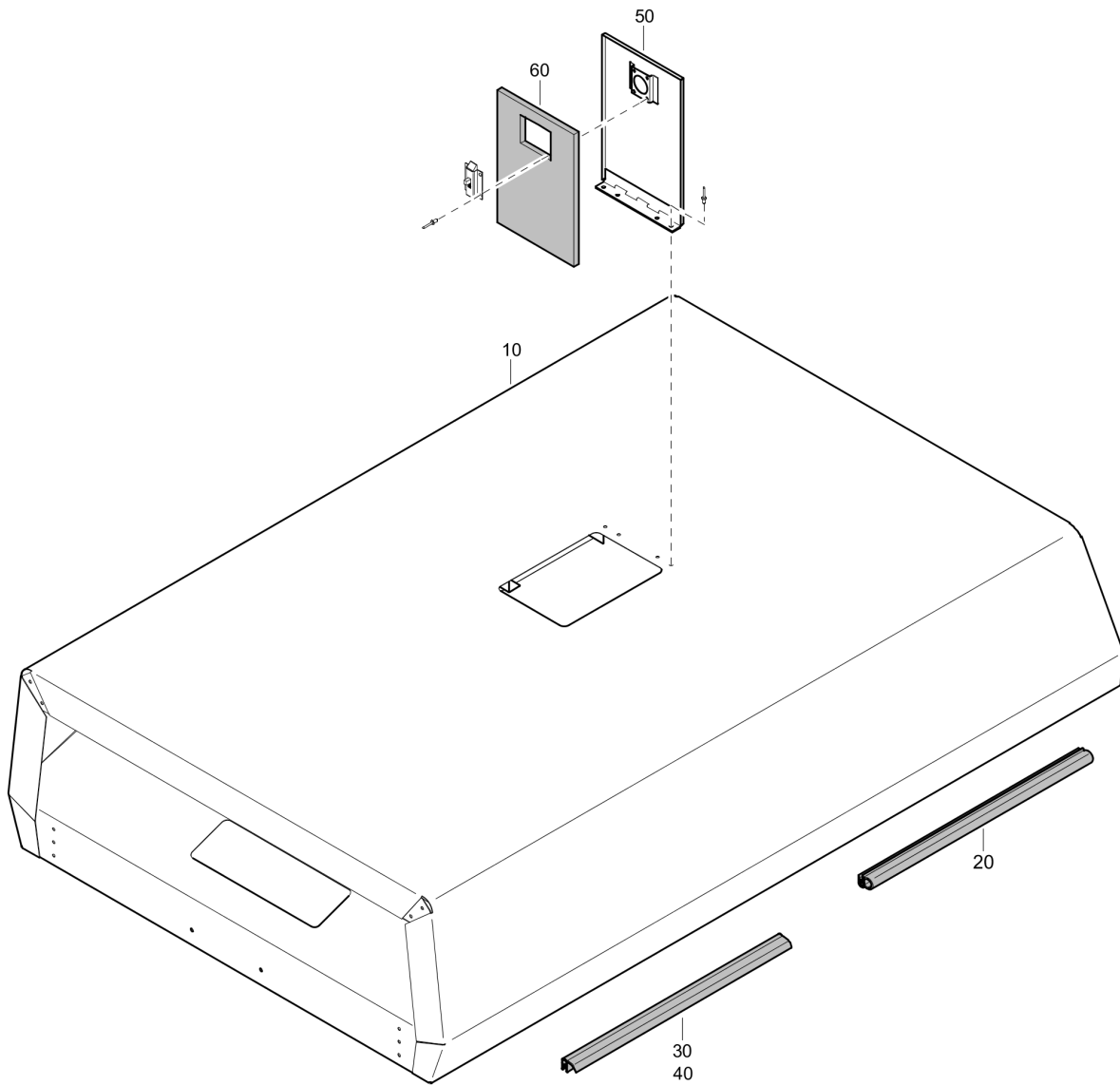


Refer to the Parts Online web page for most up-to-date information. The printed information might be outdated.

Item	Part No.	Name	Qty	L
-	1092061247	Hood assembly	-	
10	1604402531	HOOD	1	
30	1604534200	SILENCING FOAM	1	
80	1604534100	SILENCING FOAM	1	
90	1604534300	Silencing foam (2000 mm x 1500 mm x 50 mm)	1	
100	1604534400	SILENCING FOAM	1	
110	1604534500	SILENCING FOAM	2	
190	1604431700	Seal	AR	
200	1619266500	Seal	AR	
210	1619266500	Seal	1	
220	1092039471	Sealant	40	

Refer to the Parts Online web page for most up-to-date information. The printed information might be outdated.

**Mechanical** 1092037340\_02 Hood assembly



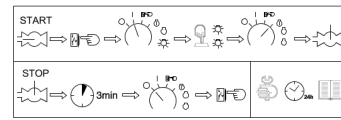
Refer to the Parts Online web page for most up-to-date information. The printed information might be outdated.

Item	Part No.	Name	Qty	L
10	1094102700	Hood	1	
20	1604431700	Seal	AR	
30	1619266500	Seal	AR	
40	1619266500	Seal	1	
50	1604384601	Door	1	
60	1604618100	Seal	1	

Mechanical 1092061167\_16 Markings

EN READ THE INSTRUCTION BOOK AND SAFETY INSTRUCTION BEFORE OPERATION/HANDLING, SERVICE OR REPAIRING THIS MACHINE. IF MISSING, CONTACT YOUR SUPPLIER.  
 CHN 在操作和维修、维修或保养本机前请仔细阅读说明书和人身安全须知。如遗失，请联系您的供应商联系。

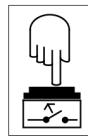
110



60



50

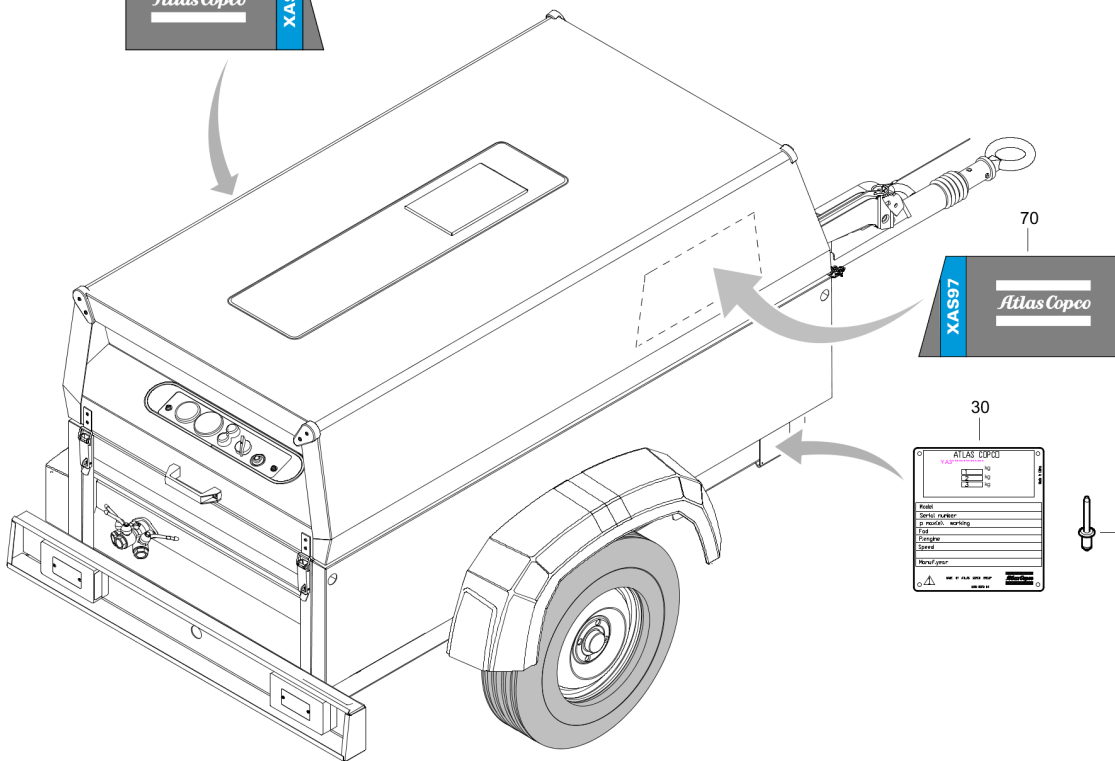


90



120

75



70

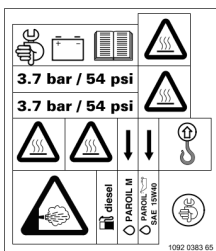


30

ATLAS COPCO	
XAS 97	
Plate	
Serial number	
Production date	
Example	
Client	
Hand/year	

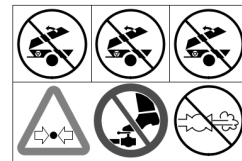


40



80

140



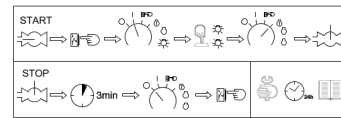
100

Item	Part No.	Name	Qty	L
30	-	Data-plate(Not available separately)	1	
40	0129310700	Blind rivet	4	
50	1079992490	Instruction label	1	
60	1079992368	Information label	1	
70	1094327100	Decal	1	
75	1094327200	Decal	1	
80	1092038365	Label	1	
90	1079991983	Information label	1	
100	1079990229	Warning label	1	
110	1092042400	Instruction label	1	
120	1079990258	Safety label	1	
140	1079992207	Label	1	

Mechanical 1092061114\_17 Markings

EN READ THE INSTRUCTION BOOK AND SAFETY INSTRUCTION BEFORE OPERATION/HANDLING, SERVICE OR REPAIRING THIS MACHINE. IF MISSING, CONTACT YOUR SUPPLIER.  
 CHN 在操作和维修、维修或保养本机前请仔细阅读说明书和消防安全标志。如遗失，请联系您的供应商联系。

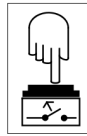
110



60



50

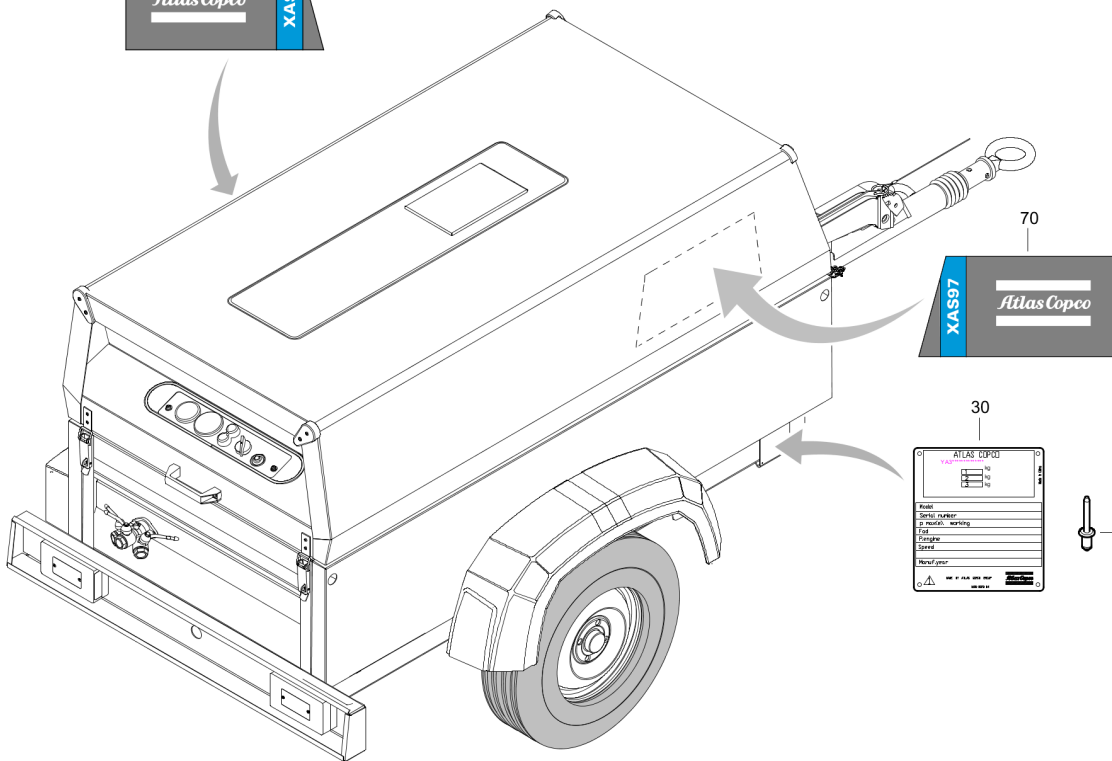


90



120

75



70



30

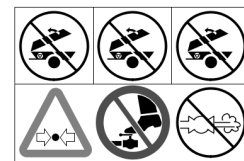


40



80

140

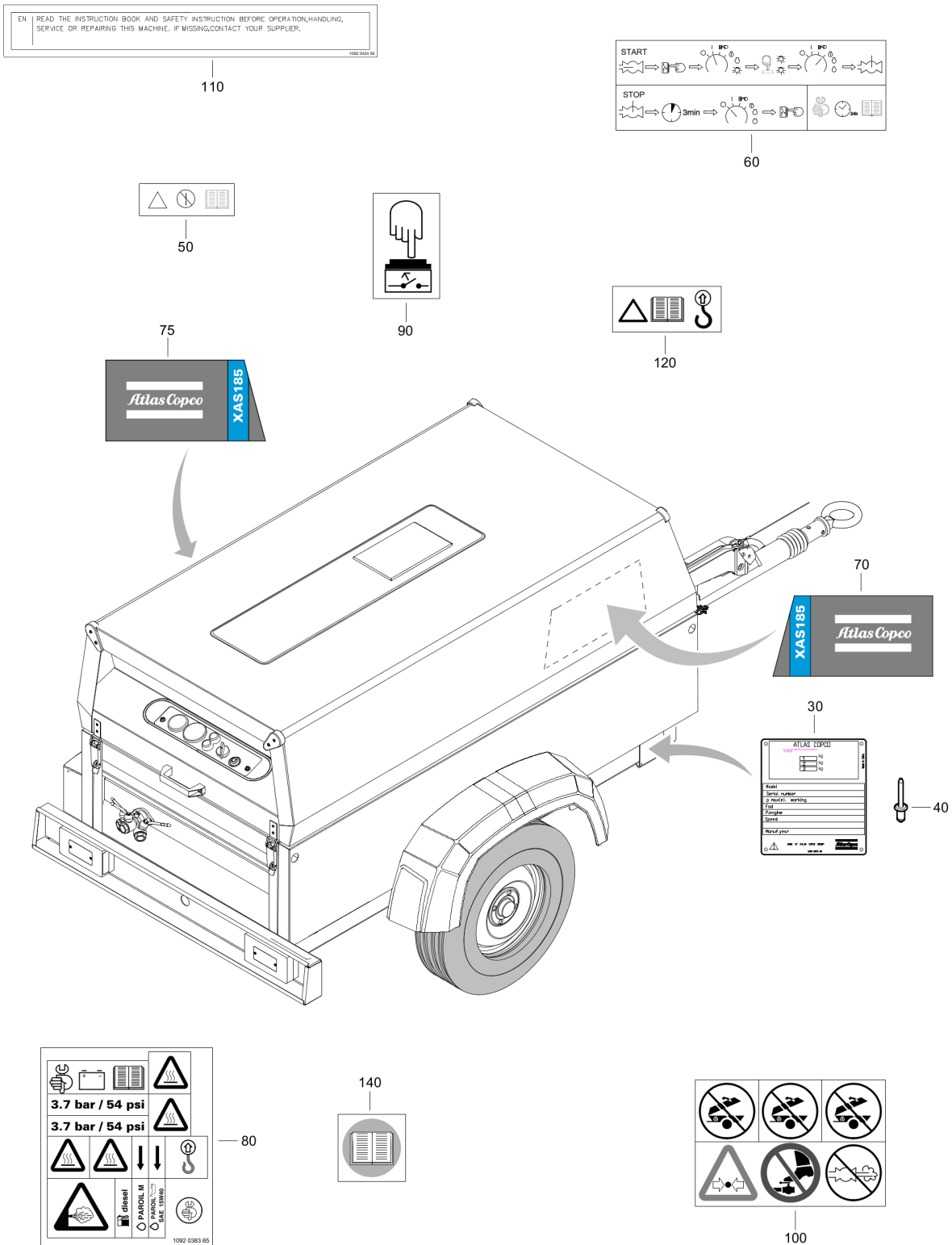


100

Item	Part No.	Name	Qty	L
30	-	Data-plate(Not available separately)	1	
40	0129310700	Blind rivet	4	
50	1079992490	Instruction label	1	
60	1079992368	Information label	1	
70	1094327100	Decal	1	
75	1094327200	Decal	1	
80	1092038365	Label	1	
90	1079991983	Information label	1	
100	1079990229	Warning label	1	
110	1092062800	Instruction label	1	
120	1079990258	Safety label	1	
140	1079992207	Label	1	

Refer to the Parts Online web page for most up-to-date information. The printed information might be outdated.

Mechanical 1625002223\_10 Markings

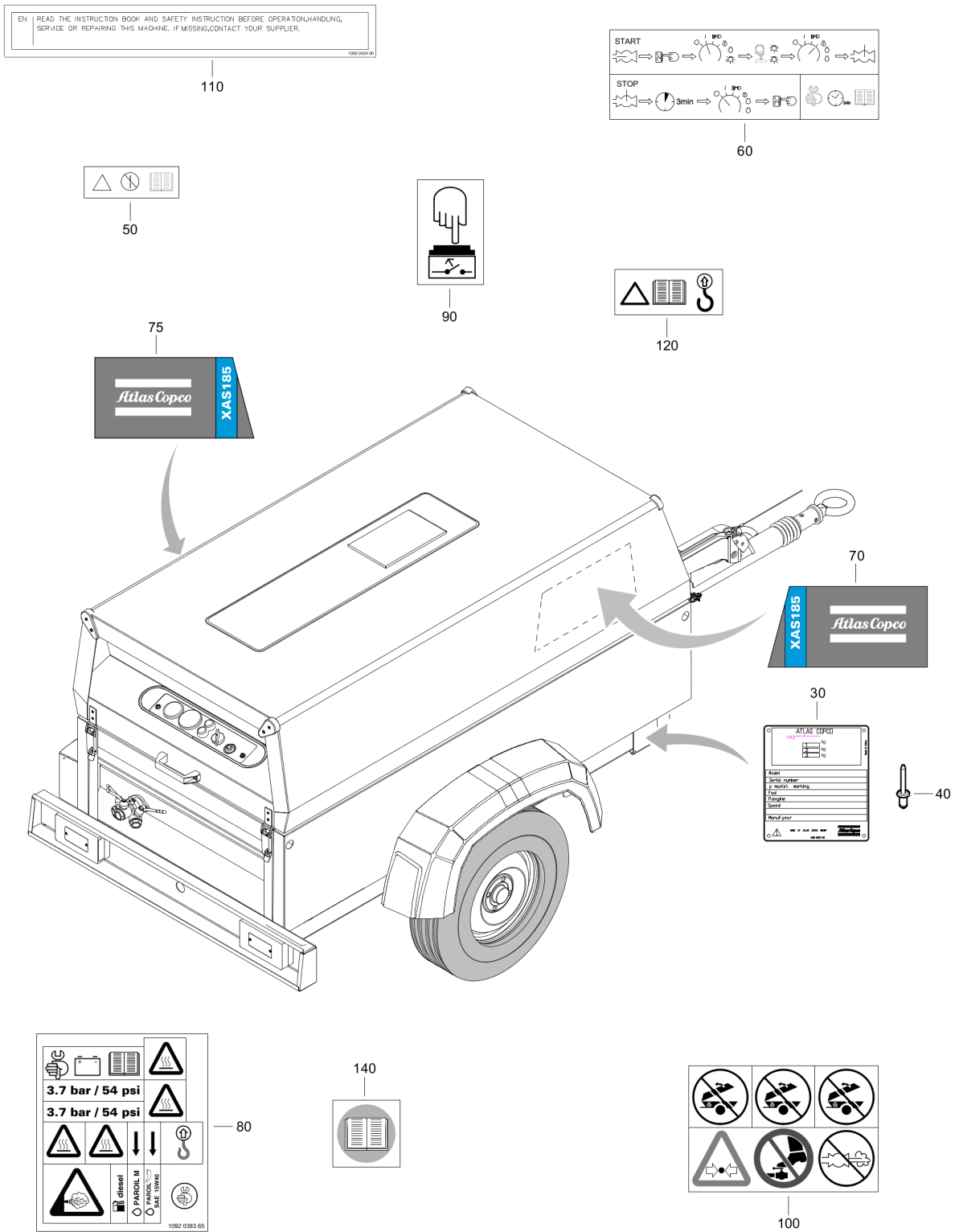


Refer to the Parts Online web page for most up-to-date information. The printed information might be outdated.

Item	Part No.	Name	Qty	L
30	-	Data-plate(Not available separately)	1	
40	0129310700	Blind rivet	4	
50	1079992490	Instruction label	1	
60	1079992368	Information label	1	
70	1094342100	Decal	1	
75	1094342200	Decal	1	
80	1092038365	Label	1	
90	1079991983	Information label	1	
100	1079990229	Warning label	1	
110	1092062800	Instruction label	1	
120	1079990258	Safety label	1	
140	1079992207	Label	1	

Refer to the Parts Online web page for most up-to-date information. The printed information might be outdated.

Mechanical 1625002224\_09 Markings

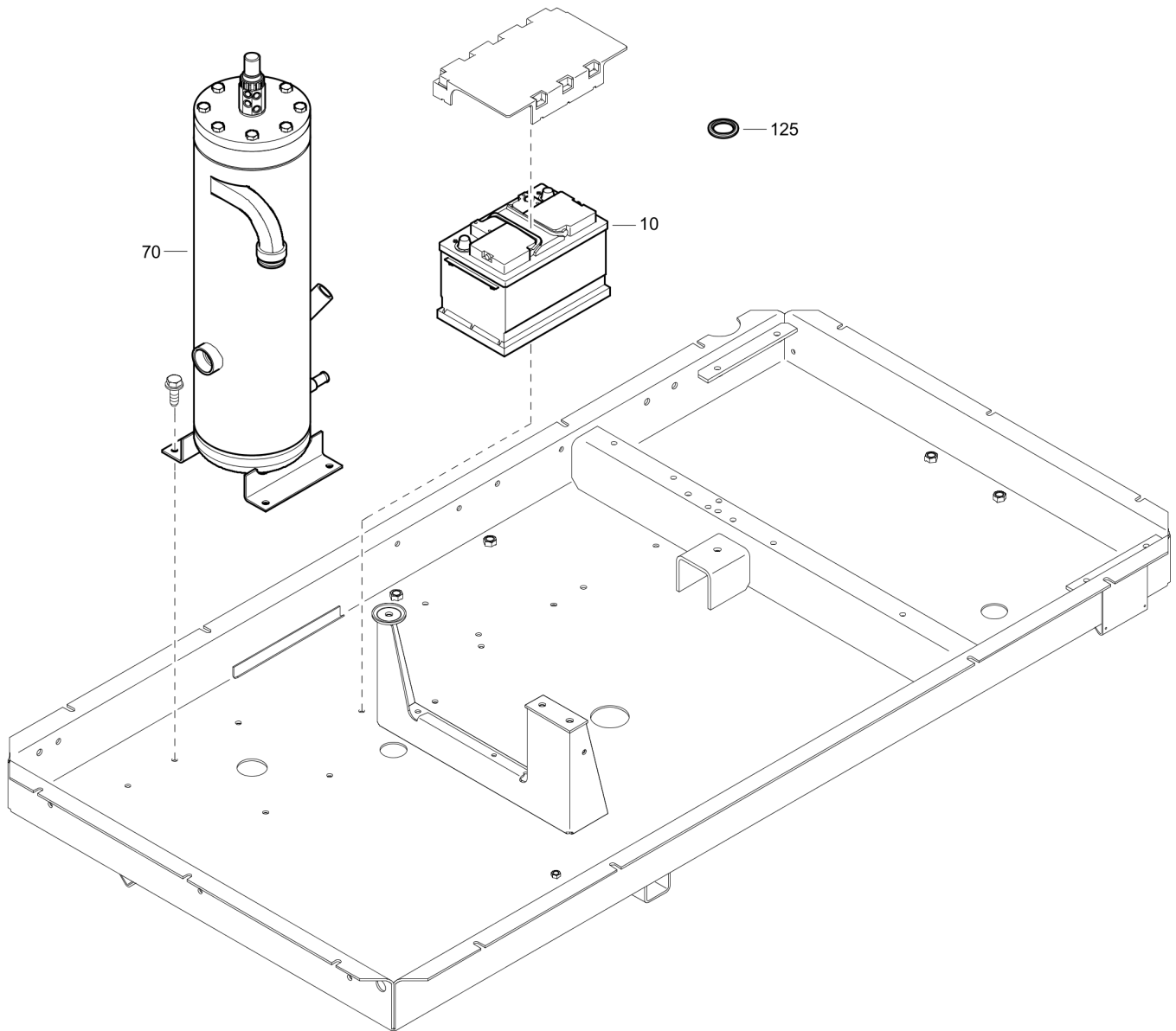


Refer to the Parts Online web page for most up-to-date information. The printed information might be outdated.

Item	Part No.	Name	Qty	L
30	-	Data-plate(Not available separately)	1	
40	0129310700	Blind rivet	4	
50	1079992490	Instruction label	1	
60	1079992368	Information label	1	
70	1094342100	Decal	1	
75	1094342200	Decal	1	
80	1092038365	Label	1	
90	1079991983	Information label	1	
100	1079990229	Warning label	1	
110	1092042400	Instruction label	1	
120	1079990258	Safety label	1	
140	1079992207	Label	1	

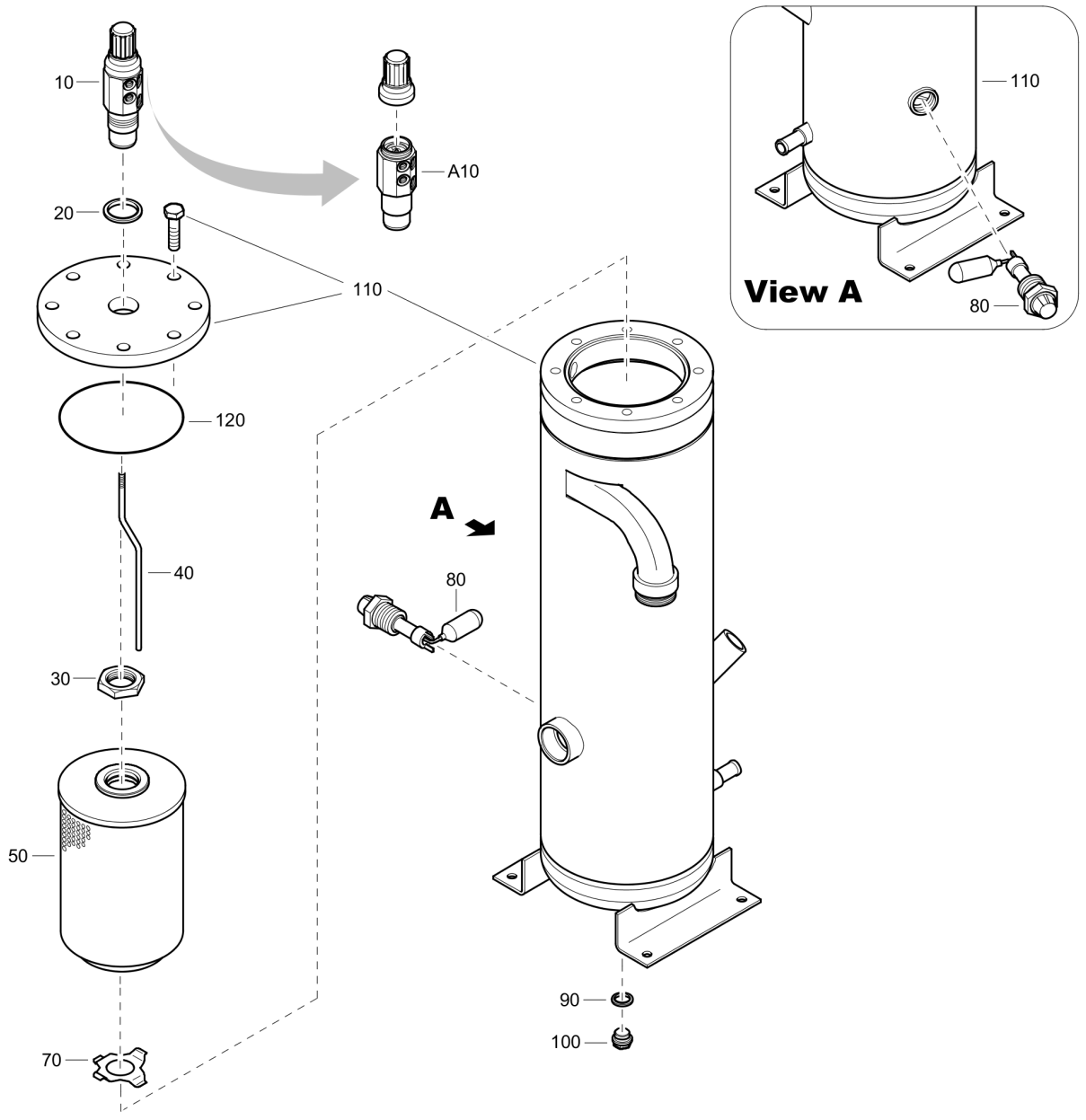
Refer to the Parts Online web page for most up-to-date information. The printed information might be outdated.

**Mechanical** 1092061362\_12 No cold start



Item	Part No.	Name	Qty	L
10	1092648600	Battery	1	
70	1625002149	Vessel assembly	1	
125	0661103800	Sealing washer	1	

Mechanical 1625002149\_09 Vessel assembly

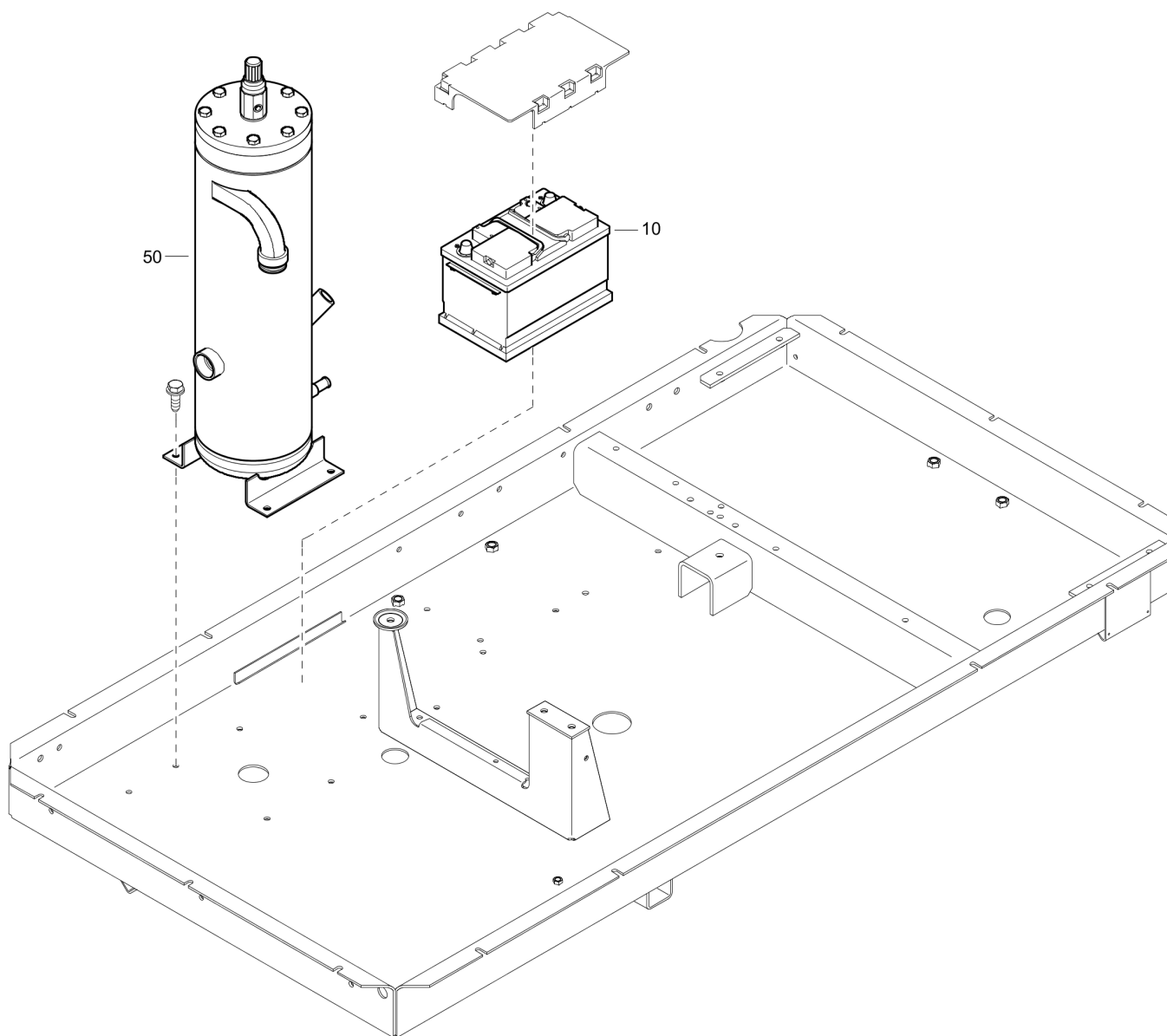


Refer to the Parts Online web page for most up-to-date information. The printed information might be outdated.

Item	Part No.	Name	Qty	L
10	1615766480	Regulating valve assembly	1	
A10	1615766500	Housing	1	
20	0661104900	Sealing washer	1	
30	0623210603	Backnut	1	
40	1615943700	Tube	1	
50	1615943681	separator oil assembly	1	
70	1615769702	Retainer	2	
80	1092065601	Indicator	1	
90	0661102600	Seal washer	1	
100	0686420300	Plug	1	
110	1625001574	Vessel assembly	1	
120	0663715100	O-ring	1	

Refer to the Parts Online web page for most up-to-date information. The printed information might be outdated.

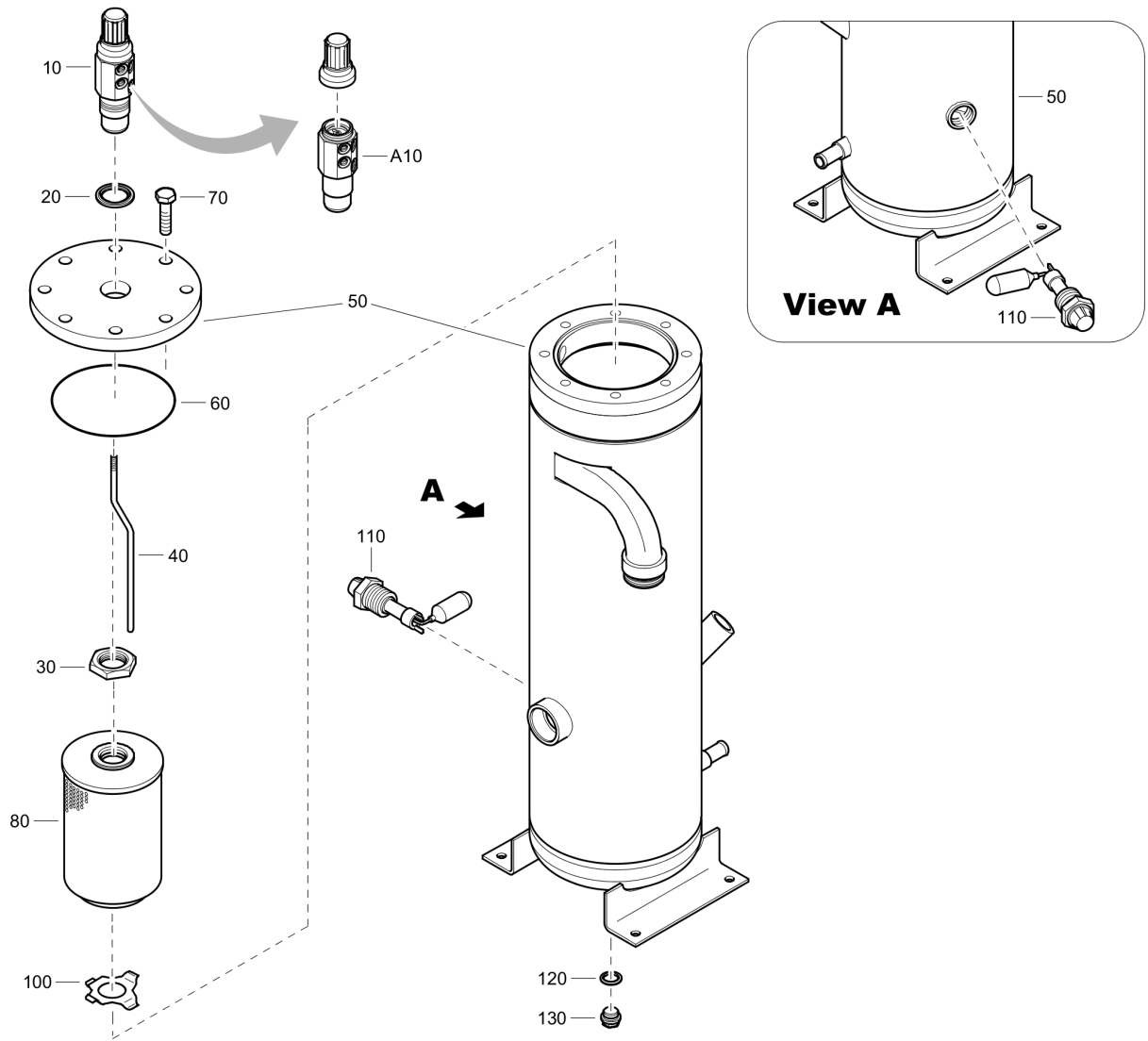
**Mechanical** 1092061113\_13 No cold start



Refer to the Parts Online web page for most up-to-date information. The printed information might be outdated.

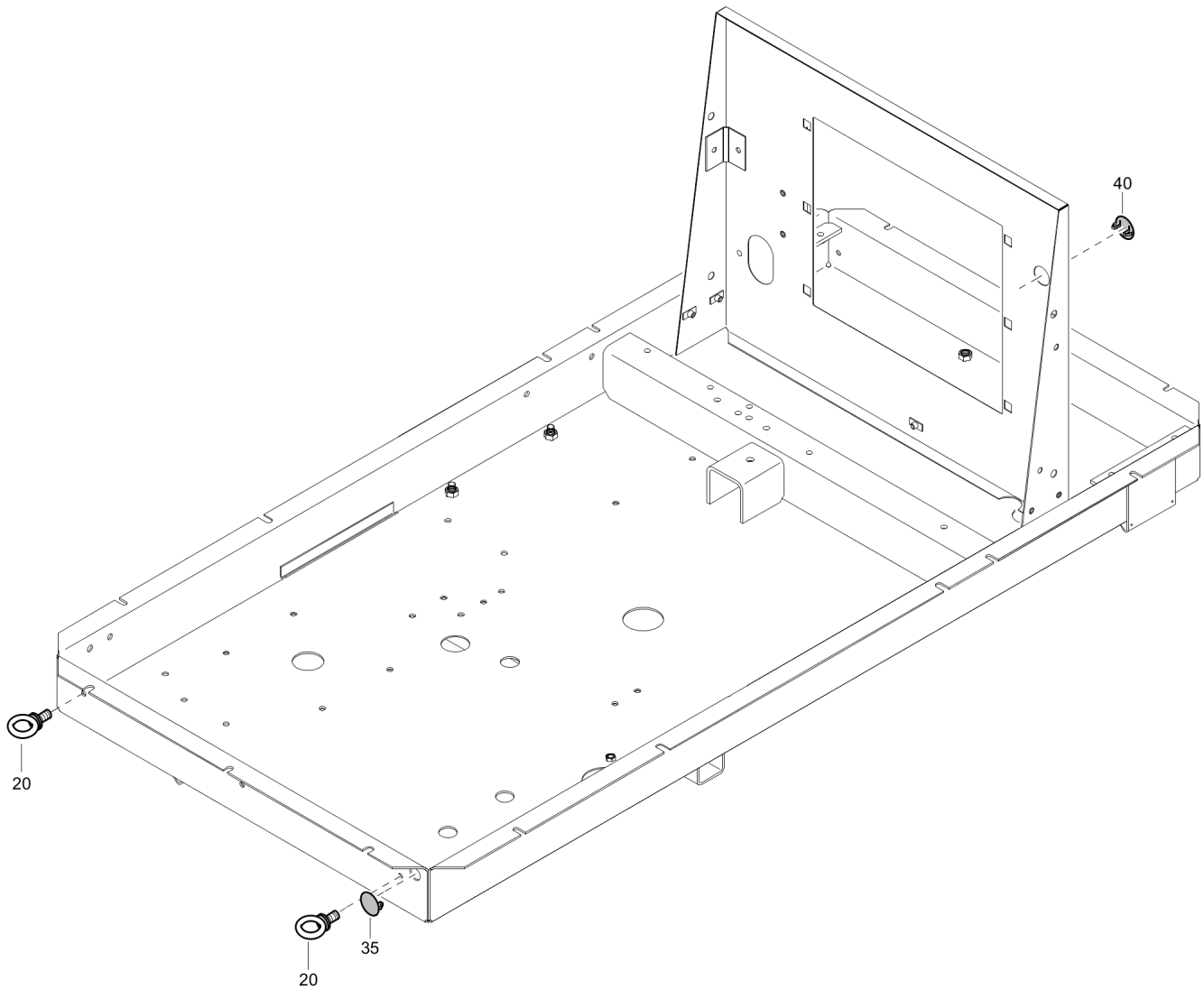
Item	Part No.	Name	Qty	L
10	1092648600	Battery	1	
50	1092061365	Vessel assembly	1	

Mechanical 1092061365\_13 Vessel assembly



Item	Part No.	Name	Qty	L
10	1615766480	Regulating valve assembly	1	
A10	1615766500	Housing	1	
20	0661100029	Seal washer	1	
30	0623210603	Backnut	1	
40	1615943700	Tube	1	
50	1092031580	Vessel assembly	1	
60	0663715100	O-ring	1	
70	0147140303	Screw DIN933	8	
80	1615943681	separator oil assembly	1	
100	1615769702	Retainer	2	
110	1092065601	Indicator	1	
120	0661102600	Seal washer	1	
130	0686420300	Plug	1	

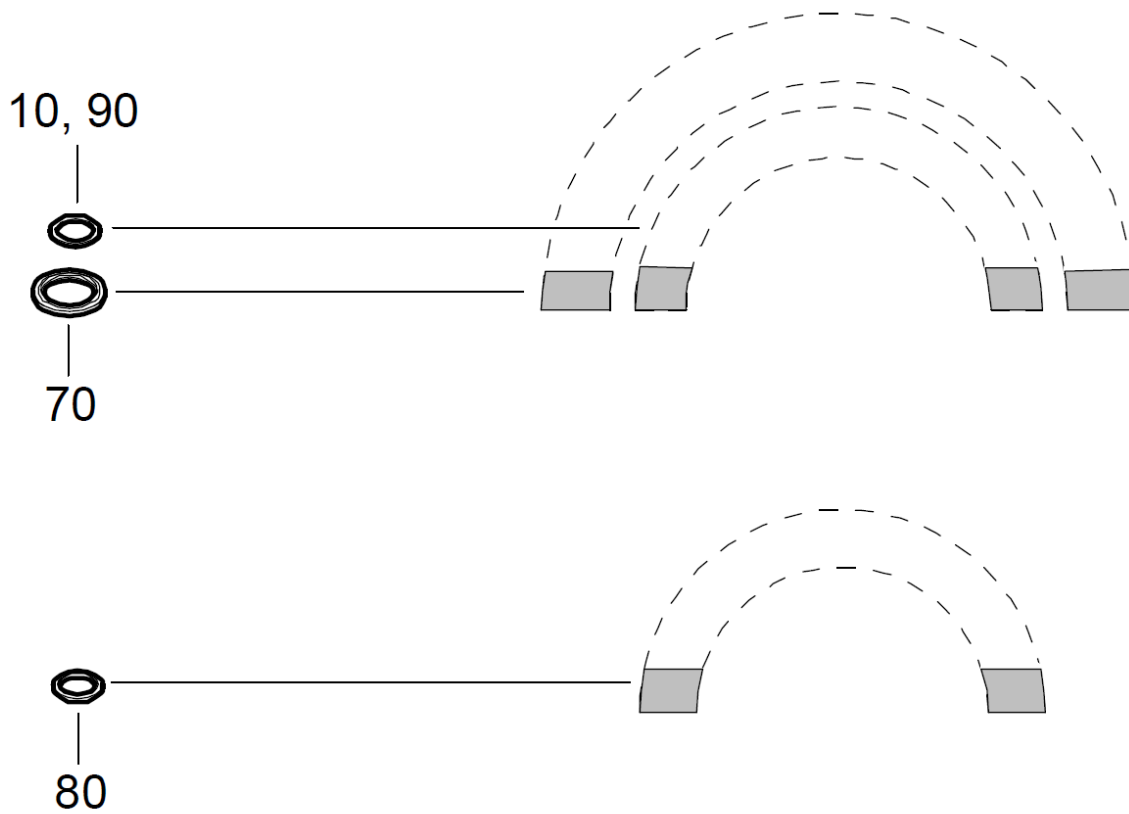
**Mechanical** 1611864314\_03 Road signalisation



Refer to the Parts Online web page for most up-to-date information. The printed information might be outdated.

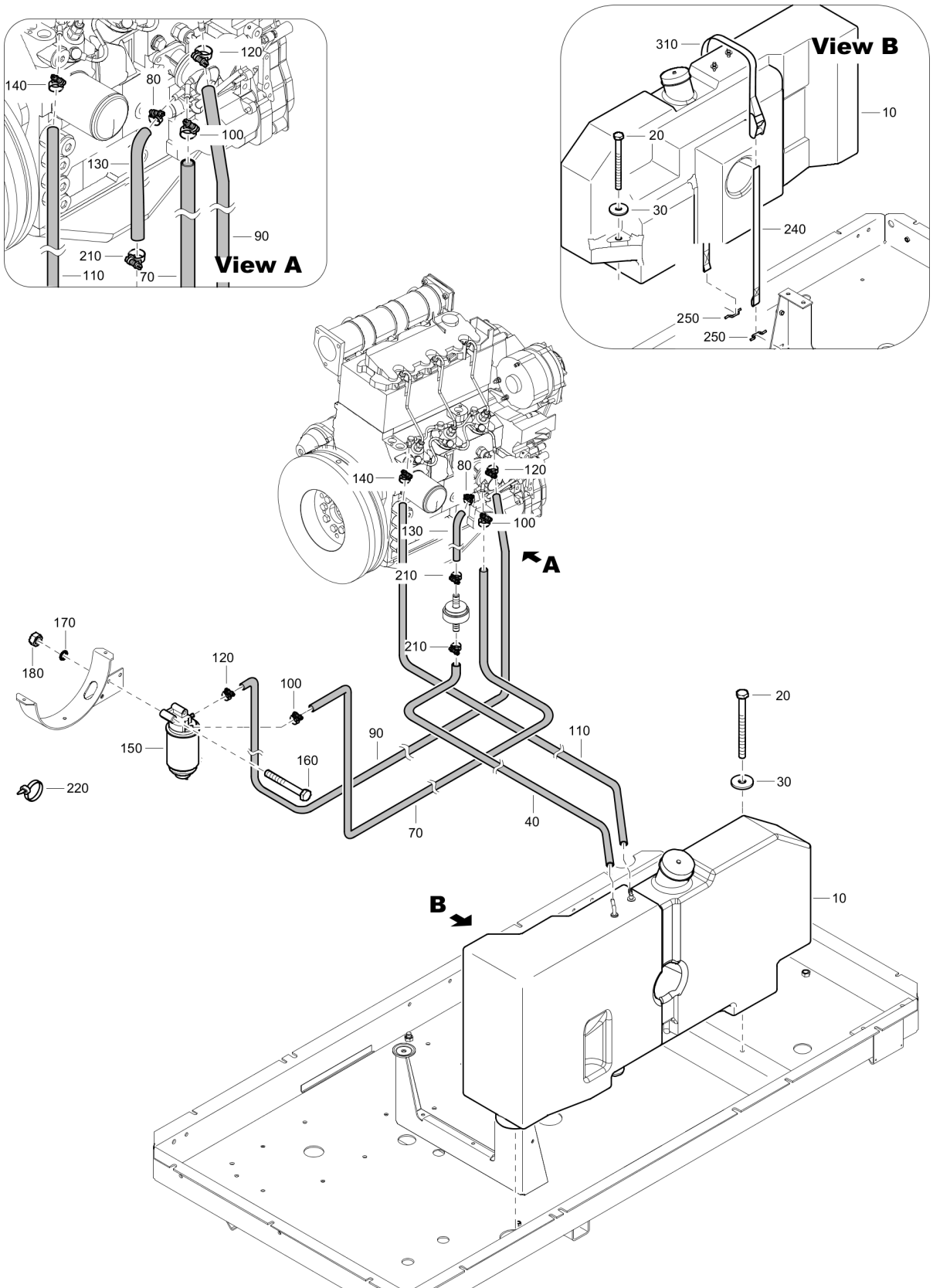
Item	Part No.	Name	Qty	L
20	0371110020	Lifting eye	2	
35	1626412100	Plug	1	
40	1626412100	Plug	1	

**Mechanical** PARTS FROM SERVICE PAK - (ACTUAL SIZE)



Item	Part No.	Name	Qty	L
-	PARTS FROM SERVICE PAK --- XAS 97 Dd WUX - XAS 185 DD7 WUX	PARTS FROM SERVICE PAK - (ACTUAL SIZE)	-	
10	-	Seal washer	-	
70	-	Sealing washer	-	
80	-	Sealing washer	-	
90	-	Seal washer	-	

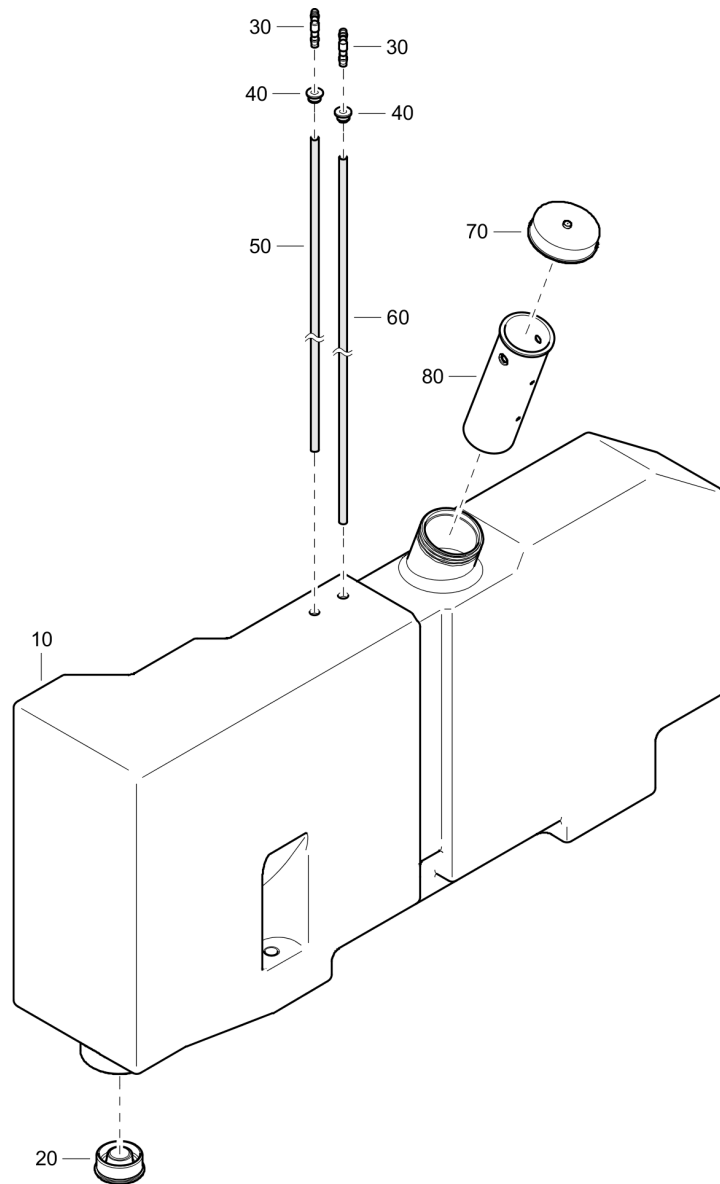
Engine 1611704214\_14 Fuel system



Refer to the Parts Online web page for most up-to-date information. The printed information might be outdated.

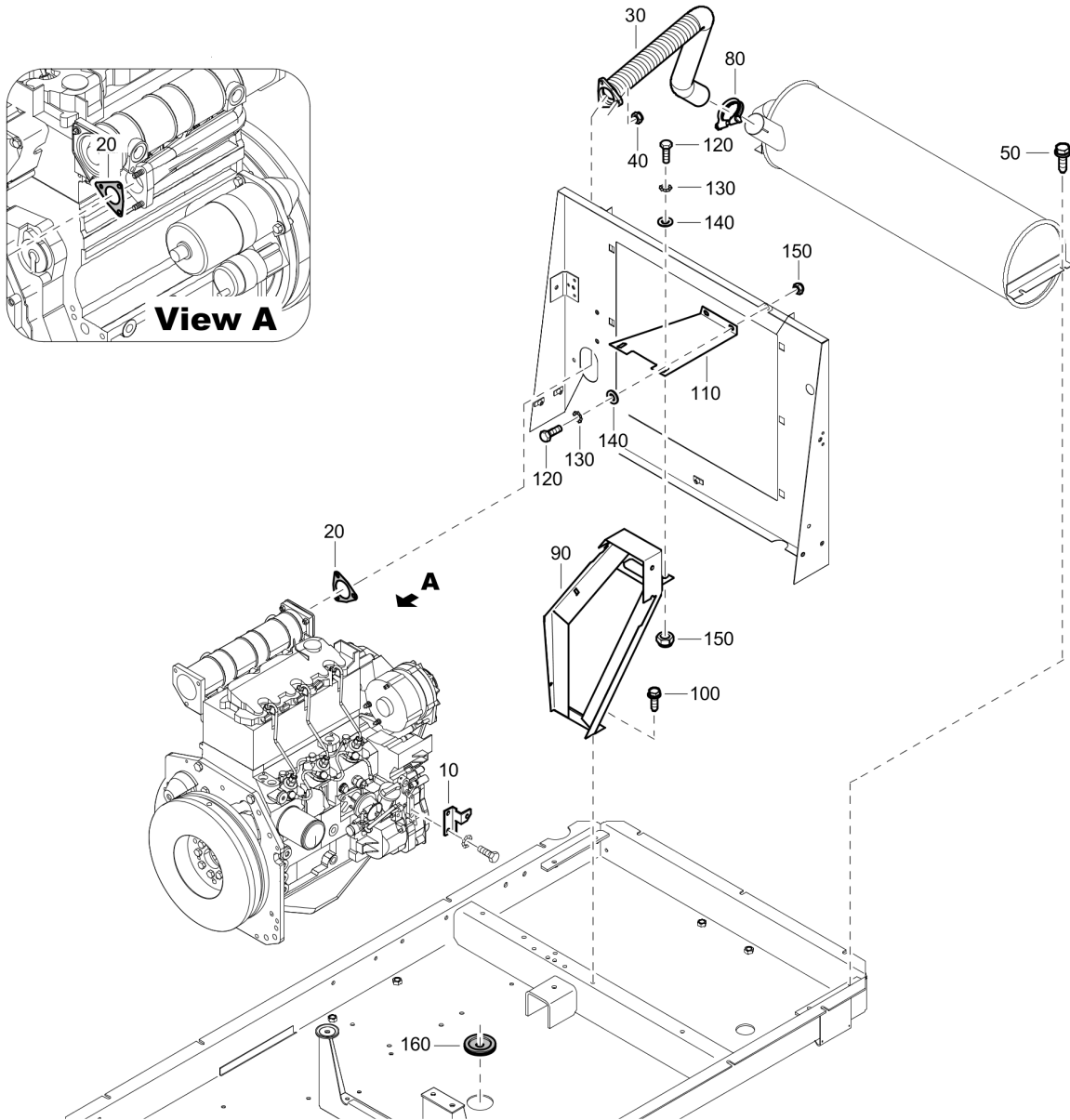
Item	Part No.	Name	Qty	L
10	1604396485	Tank fuel	1	
20	0147133803	Screw	1	
30	0300027621	Washer	1	
40	1092848300	Fuel hose	AR	
70	1092848300	Fuel hose	AR	
80	1092868800	Fuel hose clip	2	
90	1092848300	Fuel hose	AR	
100	1092868800	Fuel hose clip	2	
110	1092848300	Fuel hose	AR	
120	1092868800	Fuel hose clip	2	
130	1092848300	Fuel hose	AR	
140	1092868800	Fuel hose clip	1	
150	1615881880	Fuel filter assembly	1	
160	0147133103	Hexagon head screw	2	
170	0333322700	Lock washer	2	
180	0266211000	Nut DIN934	2	
210	1092868800	Fuel hose clip	2	
220	1088130103	Cable tie	8	
240	1626406800	Strap	1	
250	1616461300	Retainer	2	
310	1092038257	Nylon band	1	

Engine 1604396481\_01 FUEL TANK SET



Item	Part No.	Name	Qty	L
-	1604396481	Fuel tank set	-	
10	1604396401	Fuel tank	1	
20	1615557700	Plug	1	
30	1615665100	Adaptor	2	
40	1615665200	Grommet	2	
50	0070600215	Plastic tube	AR	
60	0070600215	Plastic tube	AR	
70	1615765302	Cap	1	
80	1615765400	Strainer	1	

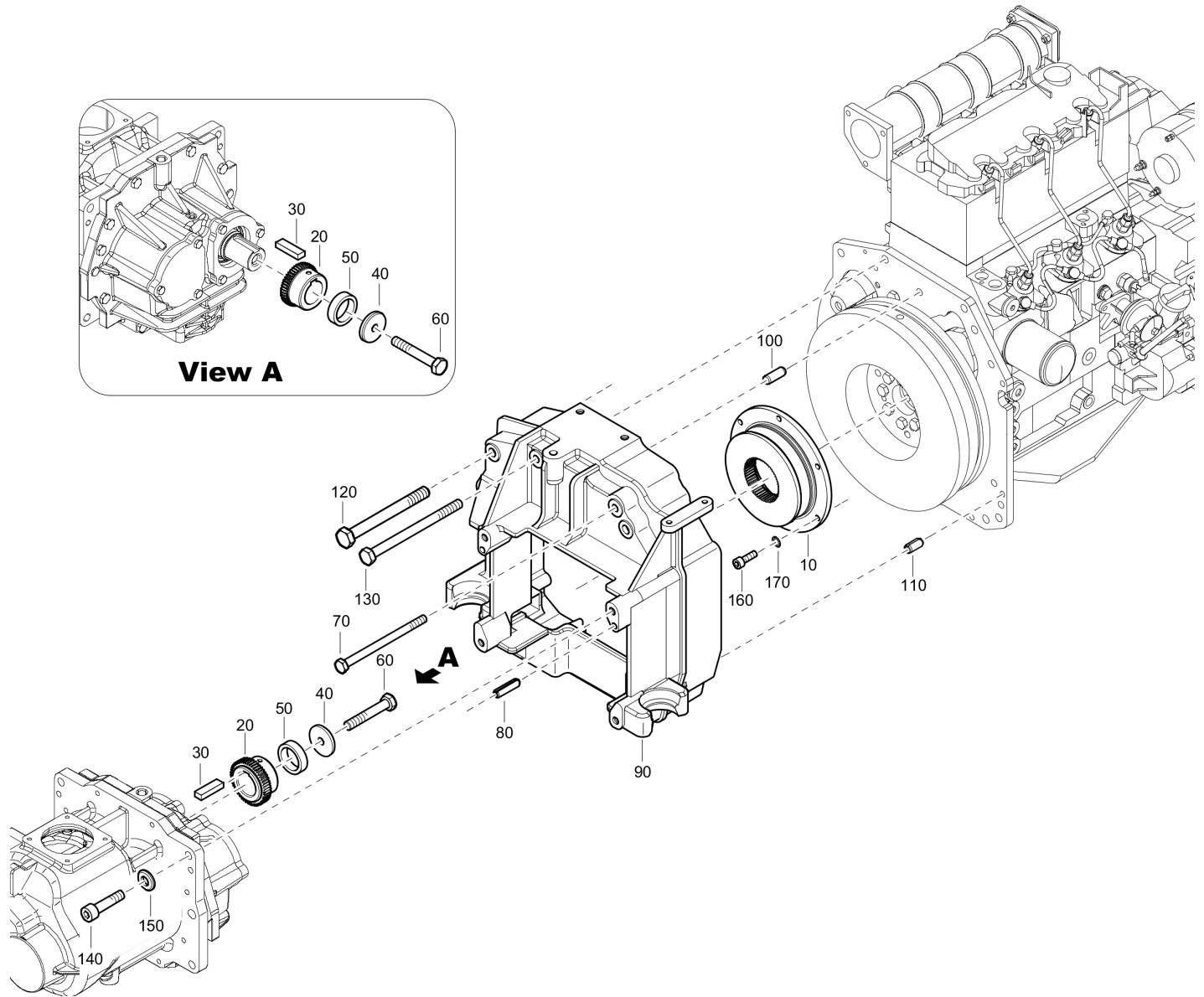
Engine 1611707714\_03 ENGINE AND ACCESSORIES



Refer to the Parts Online web page for most up-to-date information. The printed information might be outdated.

Item	Part No.	Name	Qty	L
10	1615911200	Lever	1	
20	1626488700	Gasket	1	
30	1604580400	Pipe with flexible	1	
40	0291118504	Locknut	3	
50	1615566400	Hexagon bolt	4	
80	0346300108	Clamp	1	
90	1604405304	Mudguard	1	
100	1615566400	Hexagon bolt	2	
110	1604405402	Plate	1	
120	0147132203	Hex head screw	4	
130	0333322700	Lock washer	4	
140	0301233500	Plain washer	4	
150	0266211000	Nut DIN934	4	
160	1604610500	Grommet	1	

Engine 1611719029\_03 Coupling



Refer to the Parts Online web page for most up-to-date information. The printed information might be outdated.

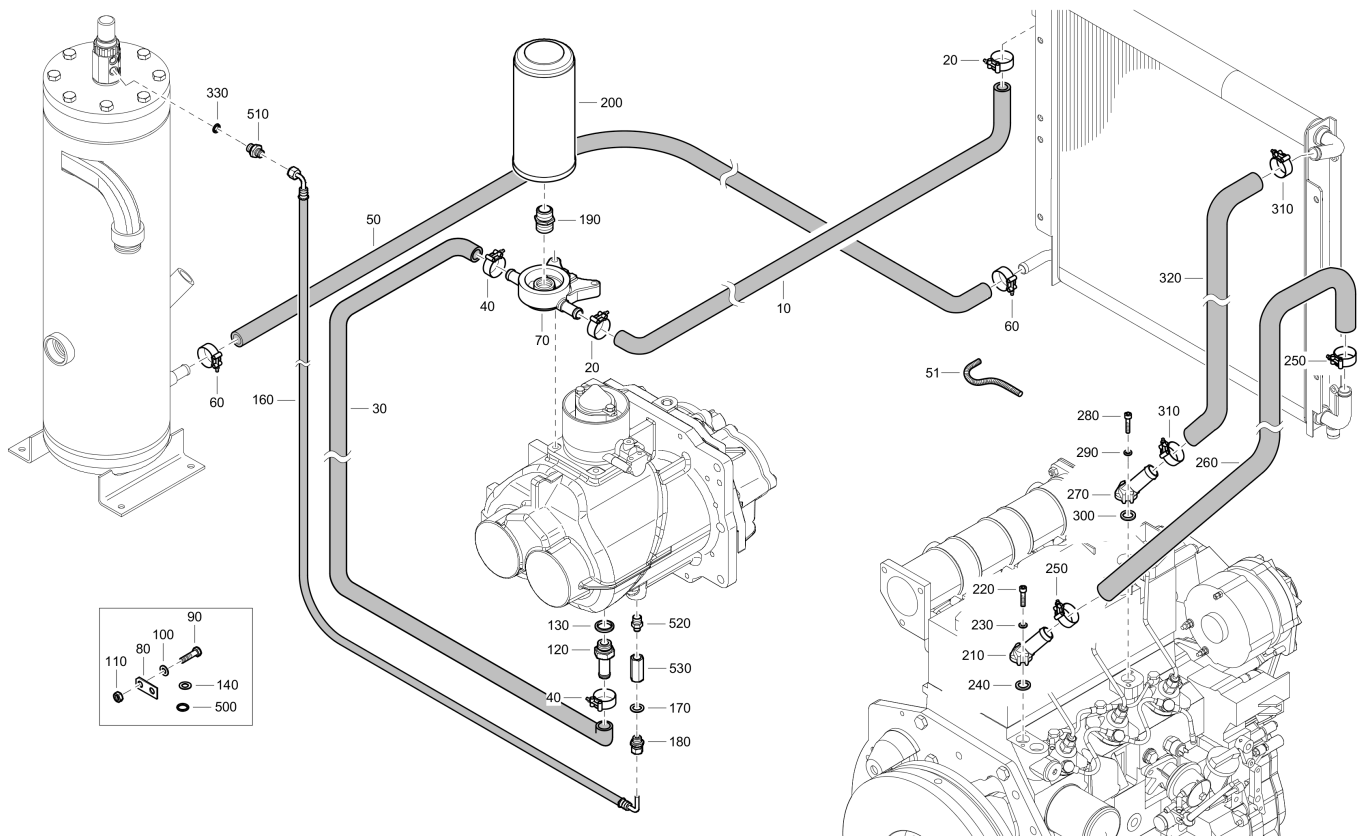
Item	Part No.	Name	Qty	L
10	1604076100	Coupling	1	
20	1094364300	Coupling	1	
30	0337519600	Parallel key	1	
40	1615544100	Washer	1	
50	1604074500	Bush	1	
60	0147196271	Hex. head screw	1	
70	0147138203	Screw cap hexagon	1	
80	0108139200	Spring pin	2	
90	1615939801	Housing	1	
100	0102046000	Parallel pin	1	
110	0108341700	Spiral pin	2	
120	0147145703	Hexagon bolt	4	
130	0147142203	Hexagon head screw	2	
140	0211196298	Hex sock. screw	4	
150	0300027492	Washer	4	
160	0211132503	Hex socket screw	6	
170	0333322700	Lock washer	6	

Refer to the Parts Online web page for most up-to-date information. The printed information might be outdated.



Item	Part No.	Name	Qty	L
10	1092360880	Cooler plate	1	
30	1604578000	Protection	1	
40	1619276600	Screw DIN933	2	
50	1604342300	Scraper bolt	4	
60	1092050403	Cooler	1	
70	1615566400	Hexagon bolt	4	
80	0300801900	Plain washer	4	
90	1615774902	Fan cowl	2	
100	1619276600	Screw DIN933	8	
110	0300801900	Plain washer	8	
120	1625004707	Fan guard	1	
130	0211196301	Screw	4	
140	1604585400	Fan	1	
150	1615943300	Clamping ring	1	
160	0147132503	Bolt	4	
170	0301233500	Plain washer	4	
180	0291111000	Locknut	4	
190	0147124903	Hex. head screw	8	

Engine 1611728214\_14 OIL SYSTEM



Refer to the Parts Online web page for most up-to-date information. The printed information might be outdated.

Item	Part No.	Name	Qty	L
10	0072840316	Hose	AR	
20	1092323800	Hose clamp	2	
30	0072840316	Hose	AR	
40	1092323800	Hose clamp	2	
50	0072840316	Hose	AR	
51	0070402260	Conduit	AR	
60	1092323800	Hose clamp	2	
70	1615776703	Housing	1	
80	1604596600	Plate	1	
90	0147132603	Hexagon bolt	1	
100	0301233500	Plain washer	1	
110	0266211000	Nut DIN934	1	
120	1626586500	Nipple	1	
130	0661100027	Seal gasket	1	
140	0653104600	Flat gasket	1	
160	0575046134	Hose assembly	1	
170	0653106200	Gasket	1	
180	0581000052	Pipe coupling	1	
190	1619377000	Nipple	1	
200	1613610500	Oil-filter	1	
210	1604403500	Connection	1	
220	0211124903	Hexagon sock screw	2	
230	0301232100	Plain washer	2	
240	1604332100	O-ring	1	
250	1202866302	Hose clip	2	
260	0072840326	Hose	AR	
270	1604403500	Connection	1	
280	0211124903	Hexagon sock screw	2	
290	0301232100	Plain washer	2	
300	1604332100	O-ring	1	
310	1202866302	Hose clip	2	
320	0072840326	Hose	AR	
330	0653104300	Flat gasket	1	
500	0653107000	Gasket	2	
510	1092399600	Nipple hexagon	1	

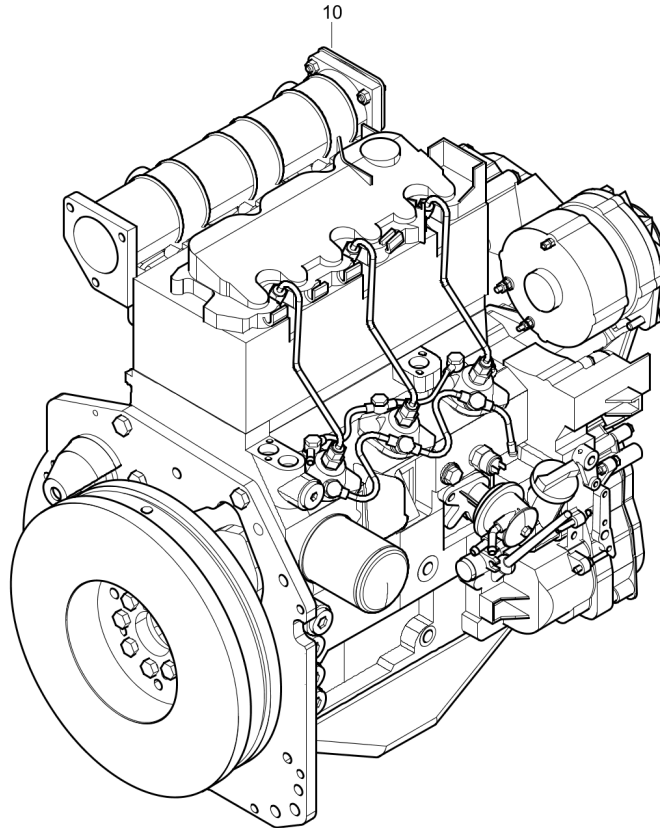
Refer to the Parts Online web page for most up-to-date information. The printed information might be outdated.

Item	Part No.	Name	Qty	L
520	0603550100	Hex. nipple	1	
530	0823005009	Non return valve	1	

This page intentionally left blank

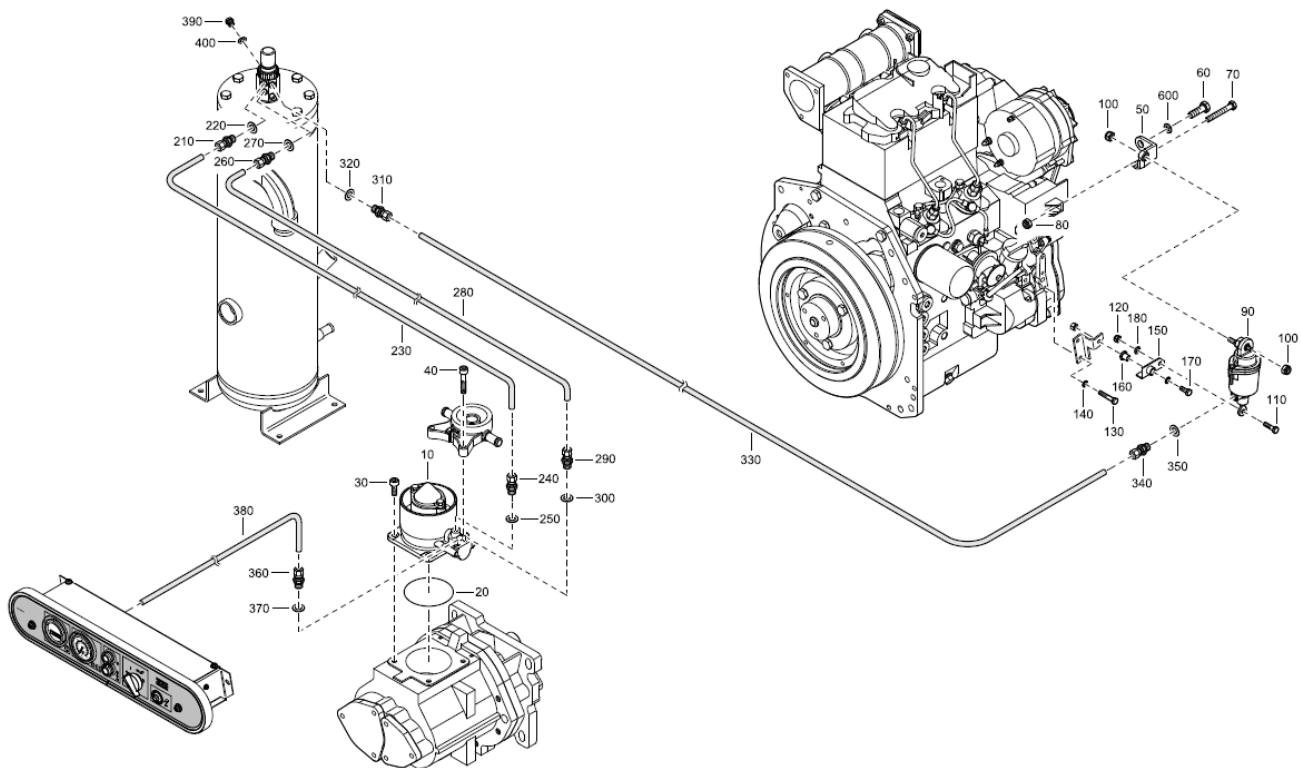
Engine 1092061370\_06 Engine

- 16
- 17



Item	Part No.	Name	Qty	L
10	1092374980	ENGINE F3M 2011	1	
16	0211124603	Screw	2	
17	0301232100	Plain washer	2	

Engine 1611722012\_10 REGULATING SYSTEM



Refer to the Parts Online web page for most up-to-date information. The printed information might be outdated.

Item	Part No.	Name	Qty	L
10	1615766785	Valve	1	
20	-	O-RING	1	A
30	0211132303	Hex. socket screw	2	
40	0211132803	Screw	2	
50	1615838101	Bracket	1	
60	0147136315	Screw	1	
70	0147133103	Hexagon head screw	1	
80	0291111000	Locknut	1	
90	1615767683	Actuator assy	1	
100	0291111000	Locknut	2	
110	0147124703	Screw DIN933	1	
120	0291110800	Nut DIN985	2	
130	0147125003	Hexagon bolt	2	
140	0333322000	Washer	2	
150	1615911303	Bracket	1	
160	1626407200	Bushing	1	
170	0147124603	Hexagon bolt	1	
180	0301232100	Plain washer	2	
210	0582120006	Pipe coupling	1	
220	0653104300	Flat gasket	1	
230	0070600205	Plastic tube	AR	
240	0582120006	Pipe coupling	1	
250	0653104300	Flat gasket	1	
260	0582120005	Coupling	1	
270	0653104300	Flat gasket	1	
280	0070600204	Plastic tube	AR	
290	0582120005	Coupling	1	
300	0653104300	Flat gasket	1	
310	0582120005	Coupling	1	
320	0653104300	Flat gasket	1	
330	0070600204	Plastic tube	AR	
340	0582120005	Coupling	1	
350	0653104300	Flat gasket	1	
360	0582120005	Coupling	1	
370	0653104300	Flat gasket	1	

Refer to the Parts Online web page for most up-to-date information. The printed information might be outdated.

Item	Part No.	Name	Qty	L
380	0070600204	Plastic tube	AR	
390	0686420103	Plug	1	
400	0653104300	Flat gasket	1	
600	0301233500	Plain washer	1	

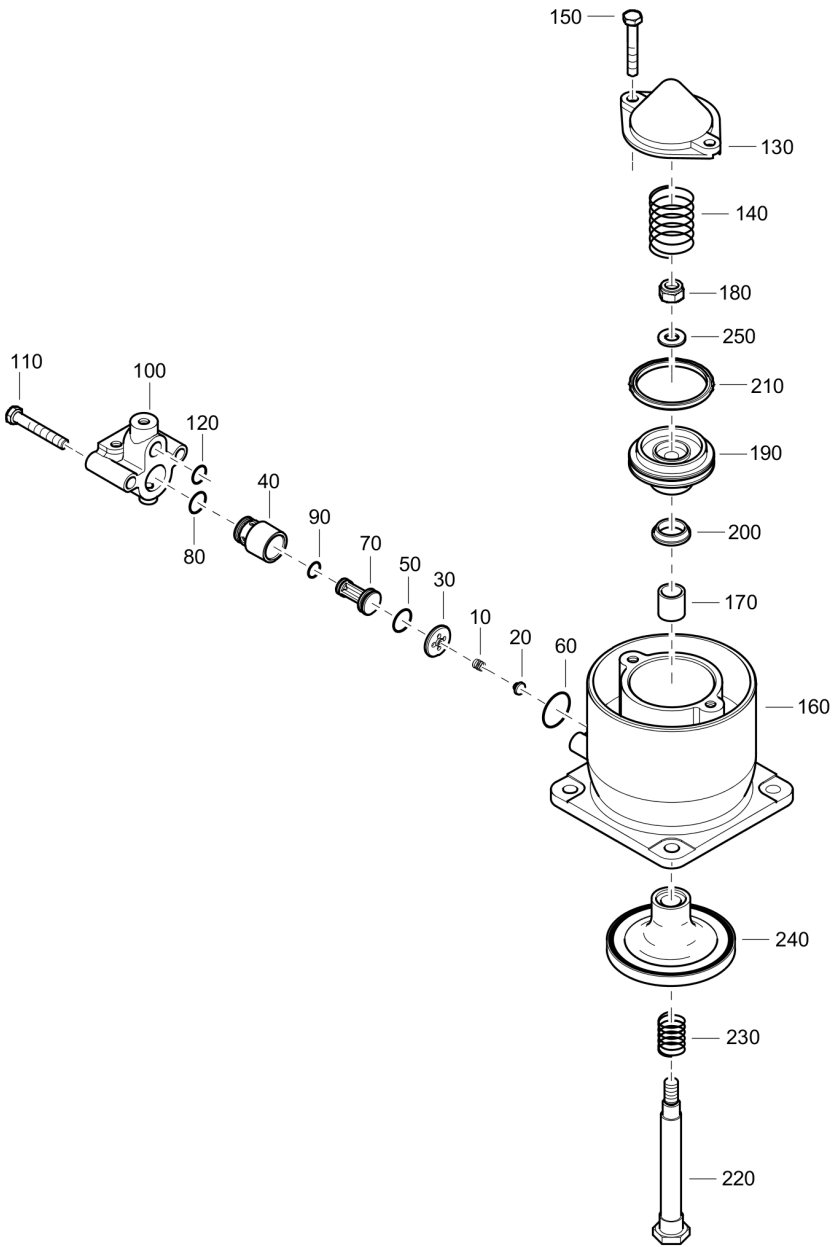
Comments for Page: 1611722012\_10 REGULATING SYSTEM

(L)OCAL REMARKS

A-Part of service kit, see drwg 2911005100\_00

This page intentionally left blank

Engine 1615766785\_01 UNLOADING VALVE



Refer to the Parts Online web page for most up-to-date information. The printed information might be outdated.

Item	Part No.	Name	Qty	L
-	1615766785	Valve	-	
10	-	SPRING	1	A
20	-	VALVE	1	B
30	1615834600	Retainer	1	
40	1615834501	Bushing	1	
50	-	O-RING	1	C
60	-	O-RING	1	C
70	-	VALVE	1	B
80	-	O-RING	1	C
90	-	O-RING	1	C
100	-	Housing (not available separately)	1	
110	0147125212	Hexagon head screw	2	
120	-	O-RING	1	C
130	1615766701	Cover unloading valve	1	
140	-	SPRING	1	A
150	0147125112	Screw	2	
160	1615766802	Valve housing	1	
170	-	Plain bearing (not available separately)	1	
180	0291111000	Locknut	1	
190	1615875500	Piston	1	
200	0665911000	Wiper	1	
210	0665099954	Piston seal	1	
220	-	PISTON ROD	1	D
230	1604038801	Spring	1	
240	1615767000	Valve	1	
250	0301233500	Plain washer	1	

Comments for Page: 1615766785\_01 UNLOADING VALVE

(L)OCAL REMARKS

A - For details see drawing 2911005100\_00

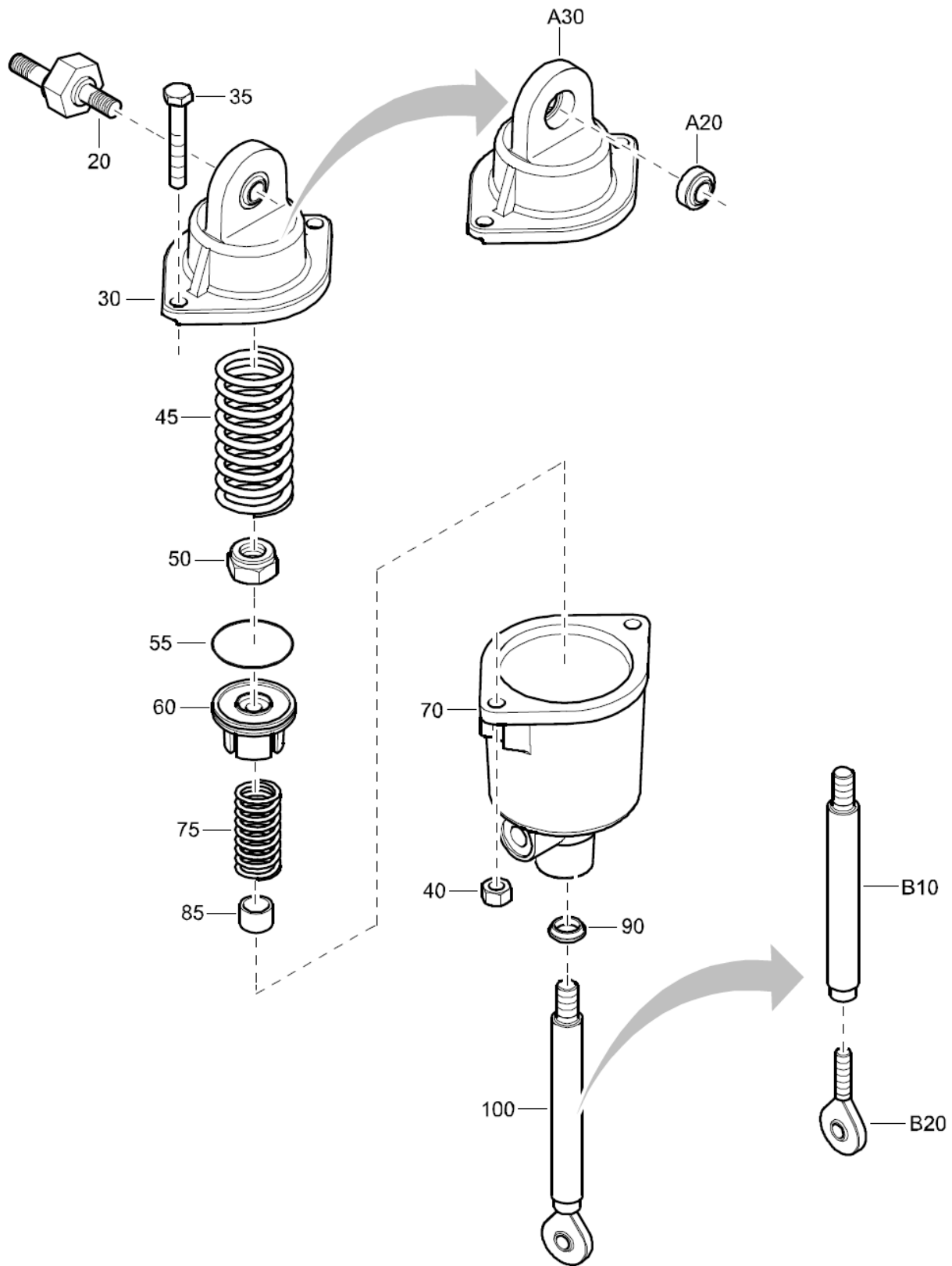
B - For details see drawing 2911005100\_00

C - For details see drawing 2911005100\_00

D - For details see drawing 2911005100\_00

Refer to the Parts Online web page for most up-to-date information. The printed information might be outdated.

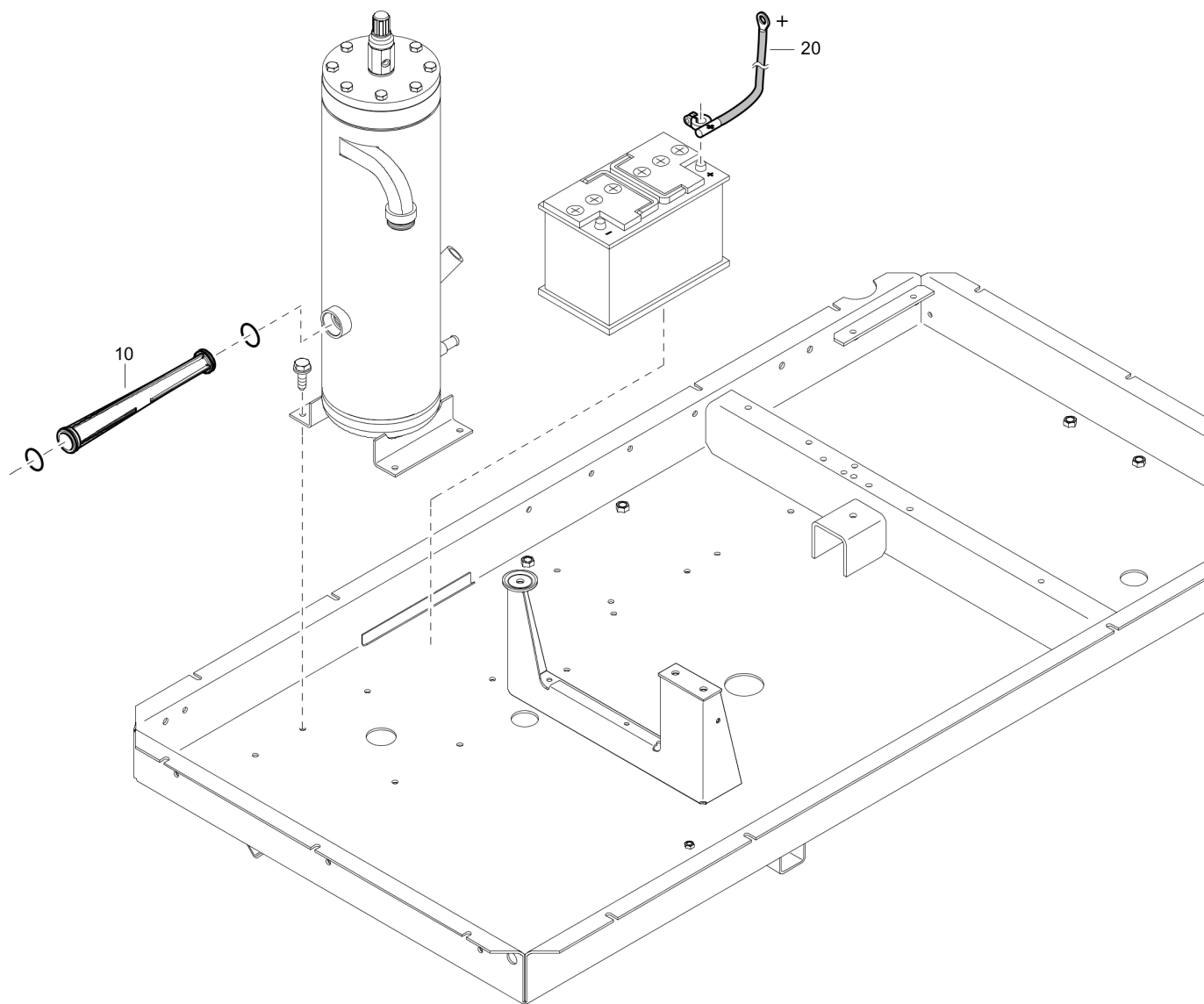
Engine 1615767683\_01 ACTUATOR ASSEMBLY



Refer to the Parts Online web page for most up-to-date information. The printed information might be outdated.

Item	Part No.	Name	Qty	L
20	1615838200	Adaptor	1	
30	1615837381	Cover assembly	1	
A20	0501000700	Spherical plain bearing	1	
A30	1615837302	Cover	1	
35	0147125212	Hexagon head screw	2	
40	0266210800	Nut	2	
45	1615836900	Spring	1	
50	0291111000	Locknut	2	
55	0665099954	Piston seal	1	
60	1615875500	Piston	1	
70	1615837401	Housing	1	
75	2252048900	Spring	1	
85	0500451031	Plain bearing	1	
90	0665911001	Wiper	1	
100	1615875681	Piston	1	
B10	1615875601	Piston rod	1	
B20	1615977700	Bolt with bearing	1	

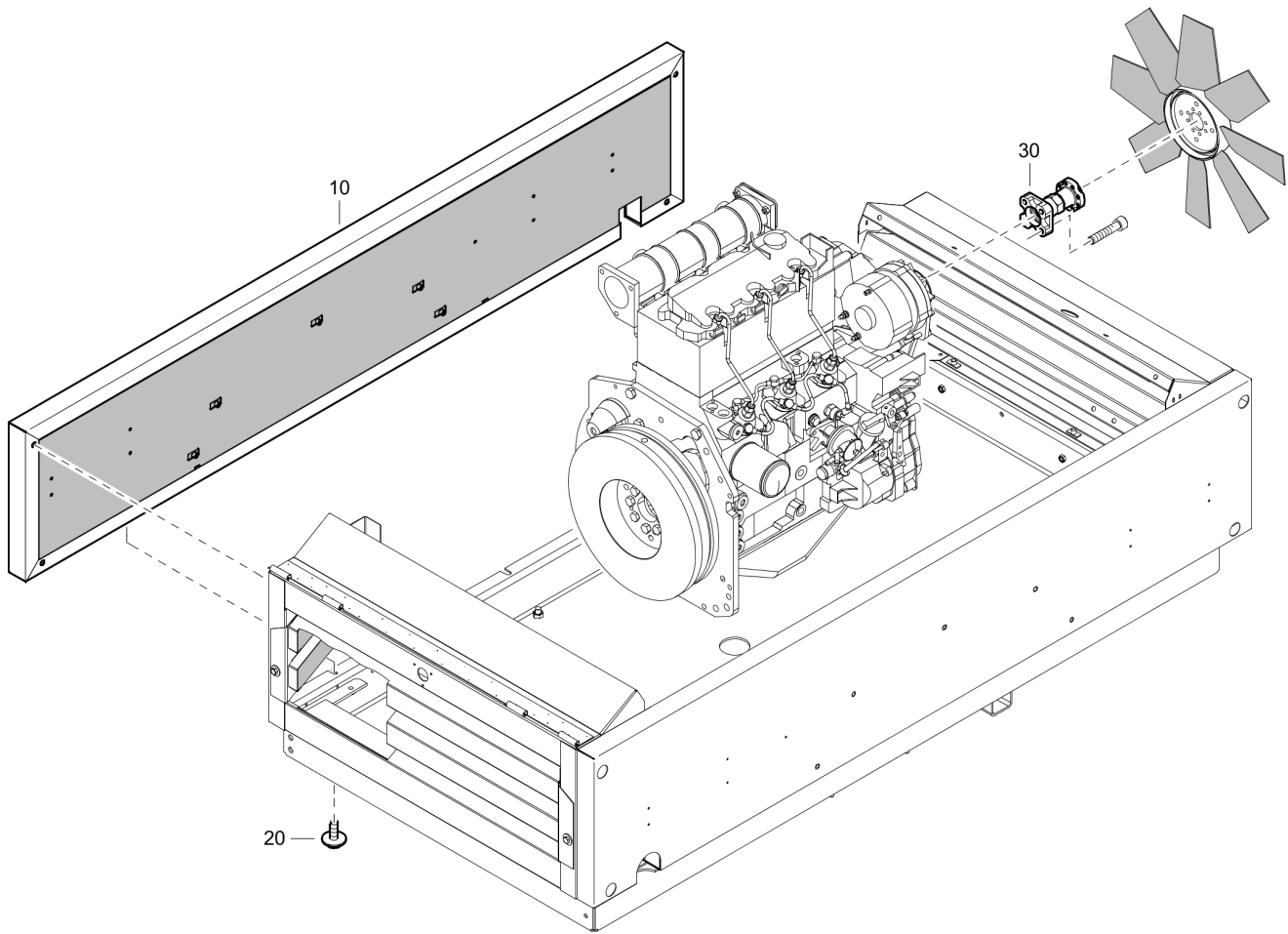
Engine 1611837114\_01 NO AFTERCOOLER



Refer to the Parts Online web page for most up-to-date information. The printed information might be outdated.

Item	Part No.	Name	Qty	L
10	1604403000	Restrictor	1	
20	1092042305	Battery cable	1	

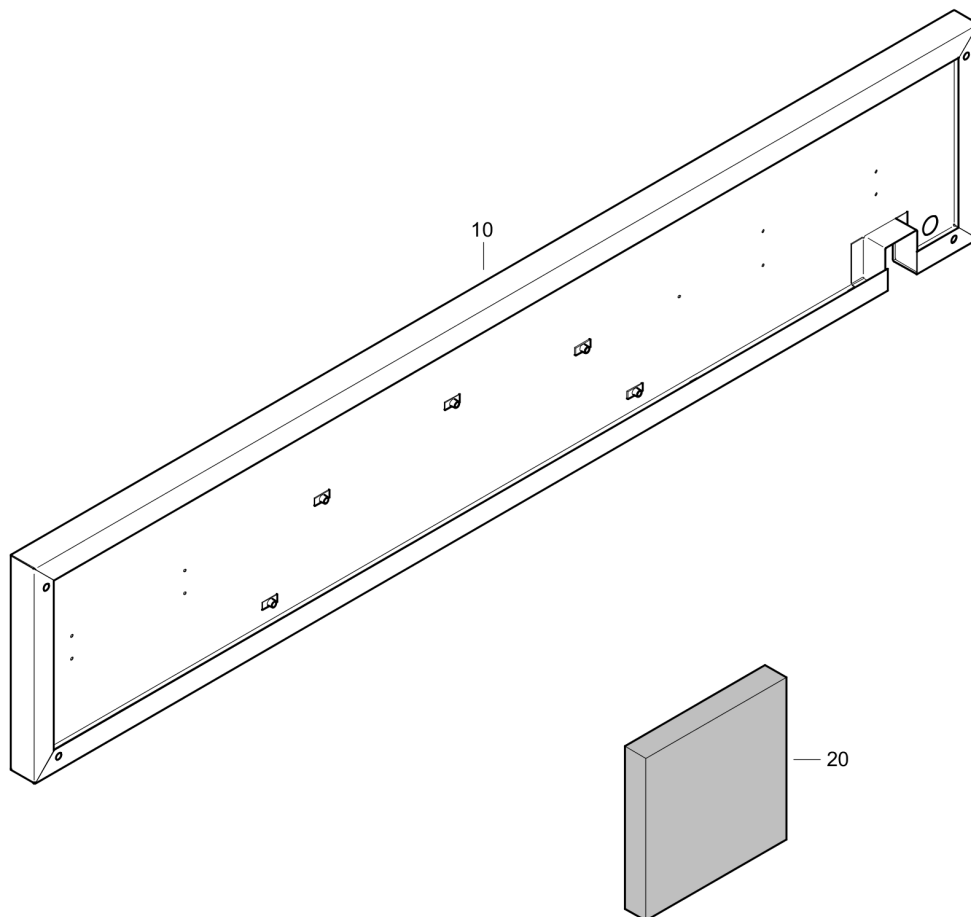
**Engine 1611876514\_02 FAN ADAPTOR - FOR COMPRESSOR WITHOUT GENERATOR**



Refer to the Parts Online web page for most up-to-date information. The printed information might be outdated.

Item	Part No.	Name	Qty	L
10	1092509700	Side pane	1	
20	1615566400	Hexagon bolt	8	
30	1615768900	Fan adaptor	1	

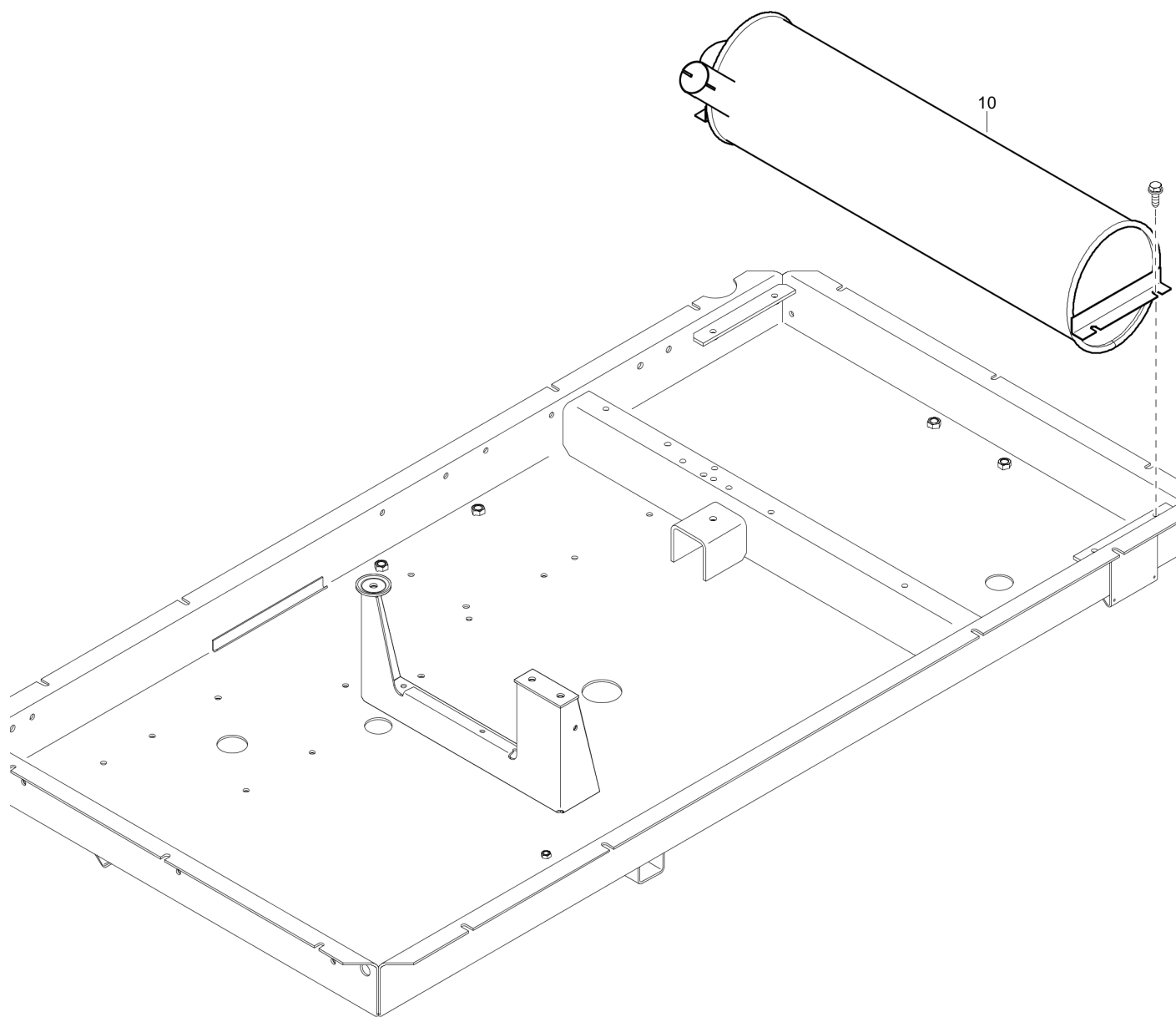
Engine 1092509700\_01 SIDE PANEL



Refer to the Parts Online web page for most up-to-date information. The printed information might be outdated.

Item	Part No.	Name	Qty	L
-	1092509700	Side pane	-	
10	1092509730	SIDE PANEL	1	
20	-	Silencing foam	1	

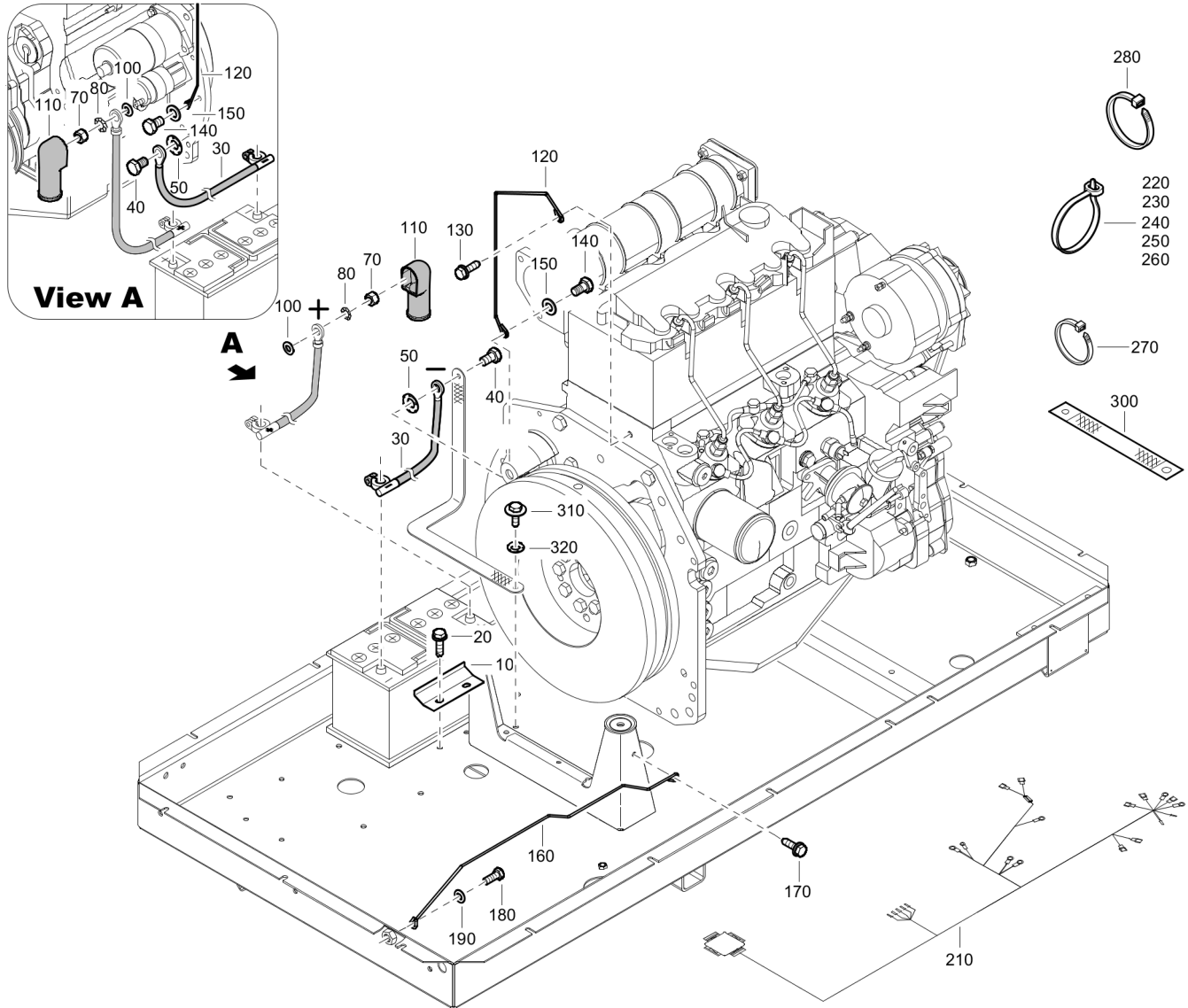
Engine 1092061172\_00 NO SPARK ABSORBER



Refer to the Parts Online web page for most up-to-date information. The printed information might be outdated.

Item	Part No.	Name	Qty	L
10	1092039485	Silencer	1	

Electric system 1611749214\_07 Electrical system

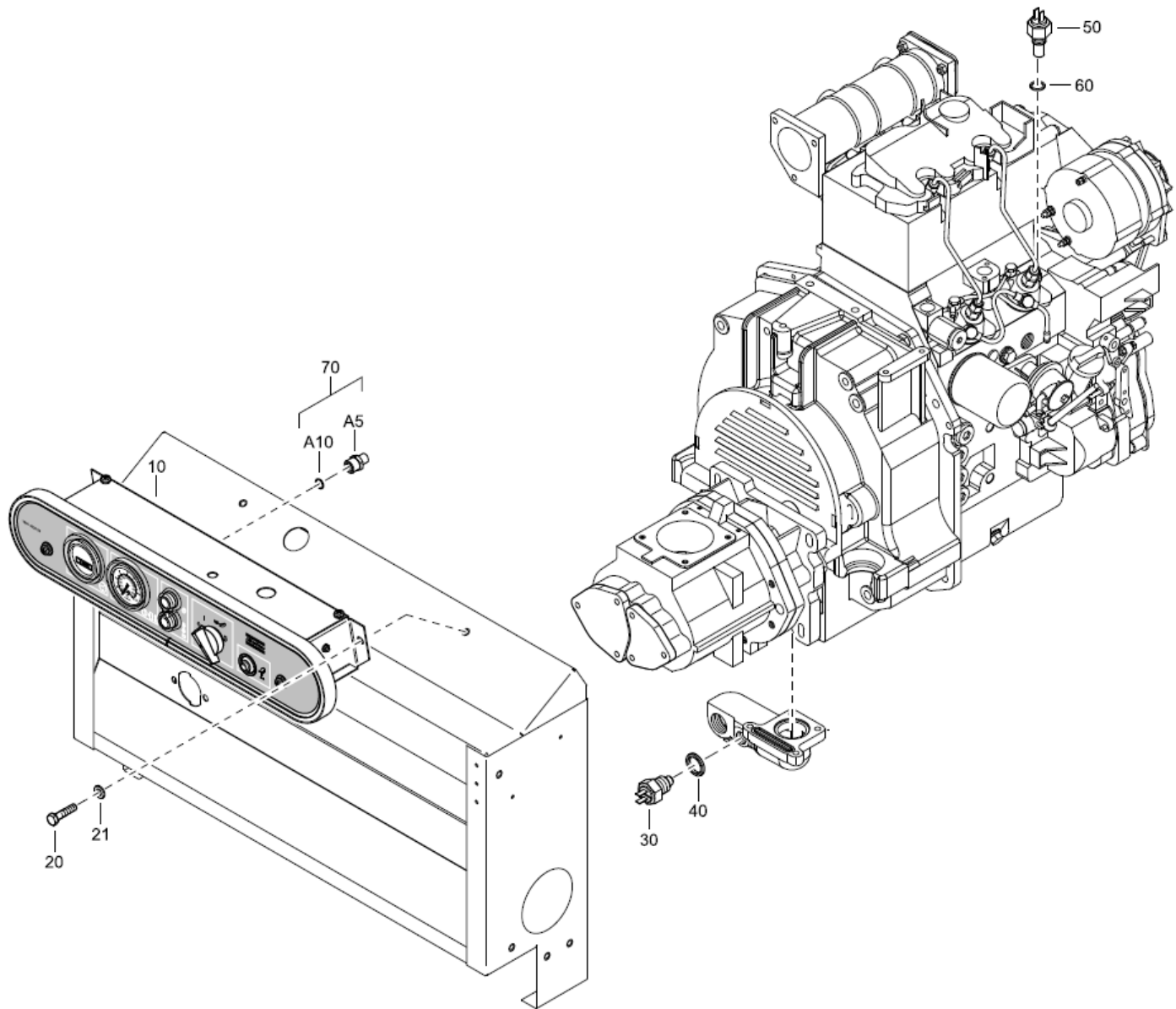


Refer to the Parts Online web page for most up-to-date information. The printed information might be outdated.

Item	Part No.	Name	Qty	L
10	1202901100	Clamp	1	
20	1619533701	Screw	2	
30	1615772601	Battery cable -	1	
40	0147135903	Hexagon bolt	1	
50	1088001902	Contact washer	1	
70	0266211000	Nut DIN934	1	
80	0333322700	Lock washer	1	
100	1088001902	Contact washer	1	
110	1619372900	Protection Cap	1	
120	1604531600	Guide	1	
130	1615566400	Hexagon bolt	1	
140	0147135903	Hexagon bolt	1	
150	0301234400	Plain washer	1	
160	1604405801	Guide wire	1	
170	1615566400	Hexagon bolt	1	
180	0147132303	Bolt	1	
190	0301233500	Plain washer	1	
210	1092319900	Wire harness	1	
220	1088130102	Cable tie	4	
230	1088130102	Cable tie	4	
240	1088130102	Cable tie	3	
250	1088130102	Cable tie	3	
260	1088130102	Cable tie	2	
270	1088130104	Cable tie	2	
280	1088130105	Cable tie	4	
300	1092039417	Earth strip	1	
310	1615566400	Hexagon bolt	1	
320	1088001902	Contact washer	1	

Refer to the Parts Online web page for most up-to-date information. The printed information might be outdated.

Electric system 1625002233\_04 SAFETY AND CONTROL

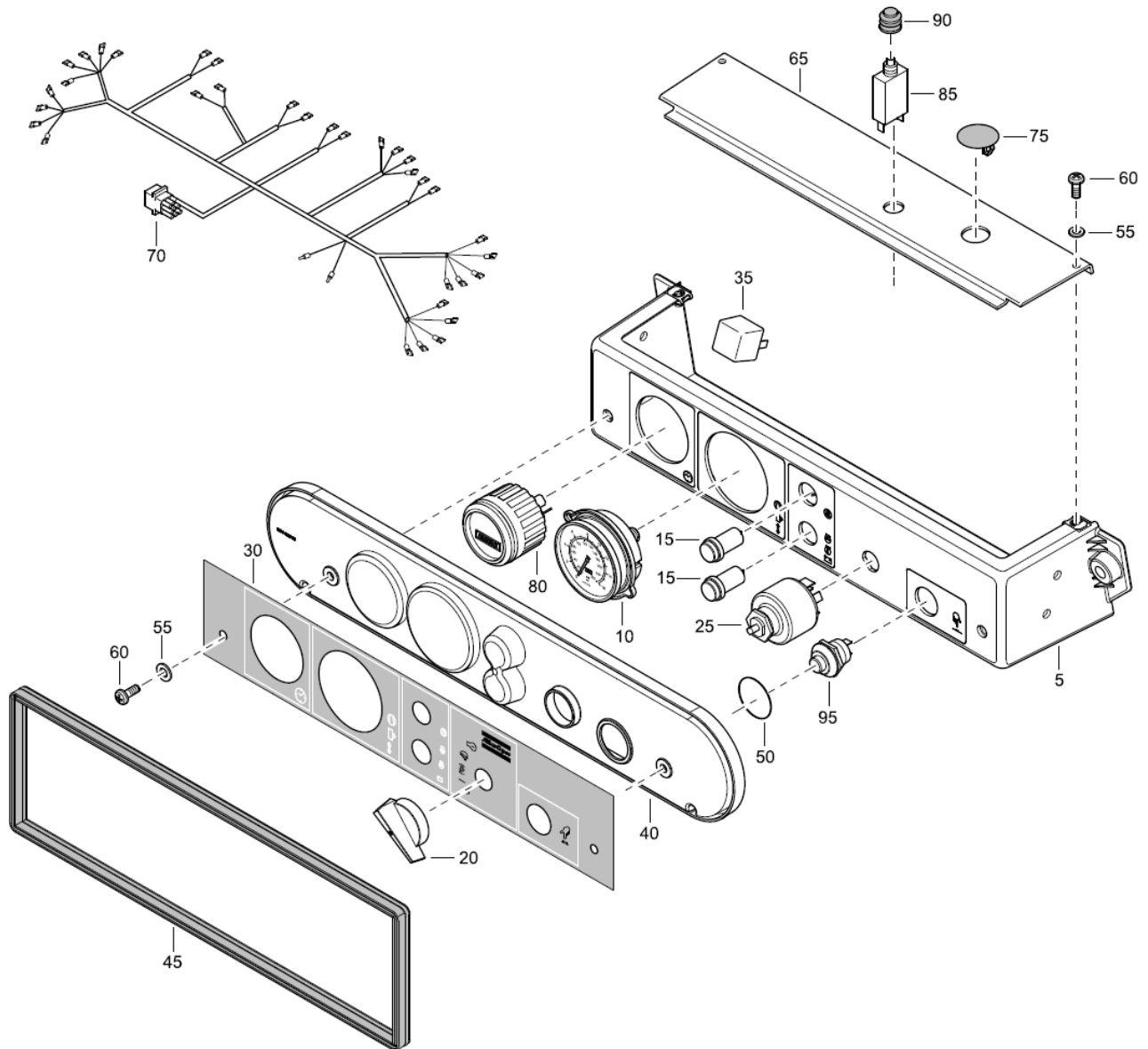


Refer to the Parts Online web page for most up-to-date information. The printed information might be outdated.

Item	Part No.	Name	Qty	L
10	1625002138	CONTROL BOX	1	
20	0147132603	Hexagon bolt	2	
21	0301233500	Plain washer	2	
30	1089063725	Switch temp.	1	
40	0661103300	Seal washer	1	
50	1089063712	Temperature switch	1	
60	0653107000	Gasket	2	
70	1625002449	LOOSE PARTS OF CONTROL BOX	1	
A5	2200750570	Coupling	1	
A10	0663903100	O-ring	1	

Refer to the Parts Online web page for most up-to-date information. The printed information might be outdated.

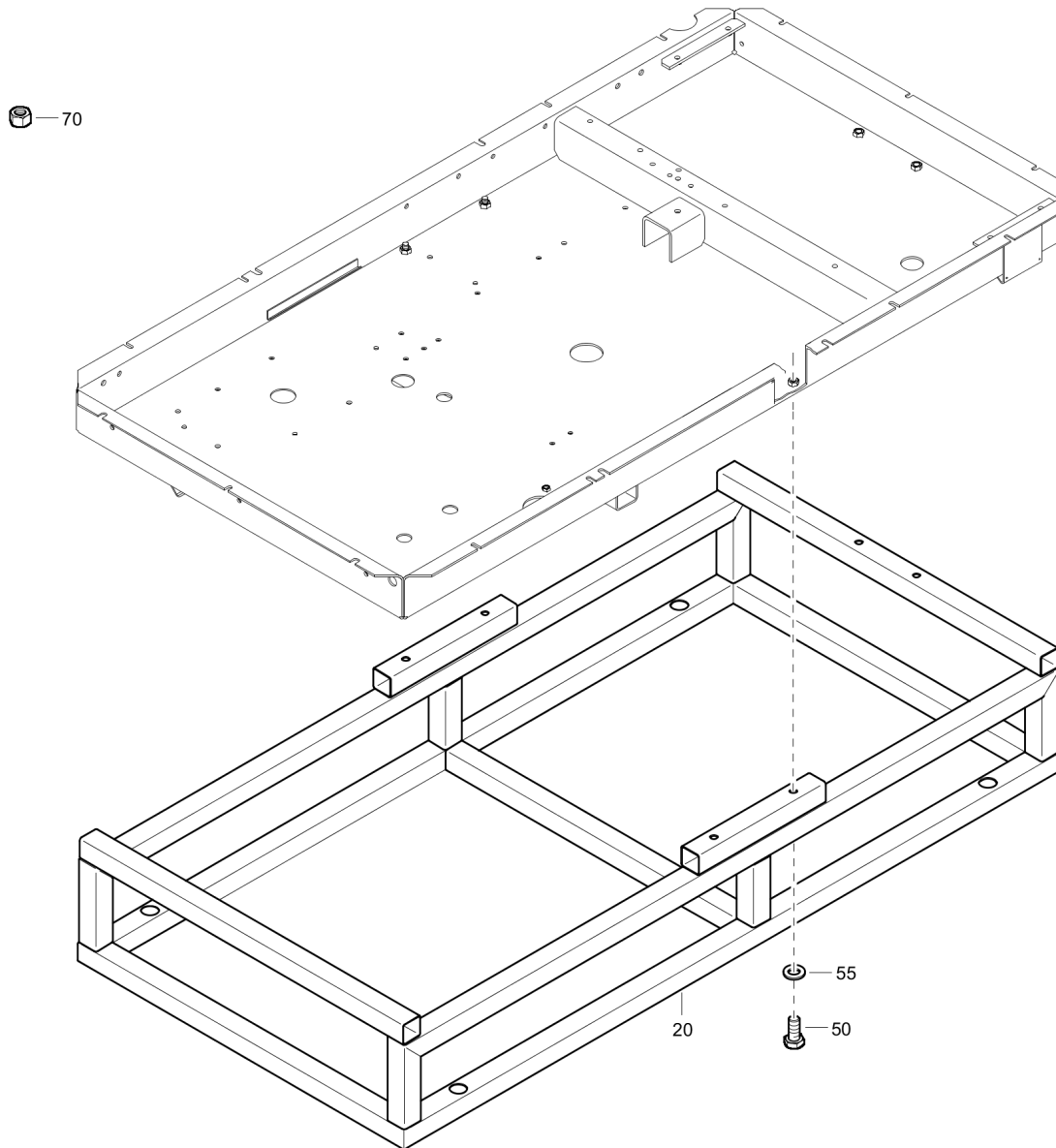
Electric system 1625002138\_01 CONTROL BOX



Refer to the Parts Online web page for most up-to-date information. The printed information might be outdated.

Item	Part No.	Name	Qty	L
-	1625002138	CONTROL BOX	-	
5	1092049816	PANEL	1	
10	1092037537	PRESSURE GAUGE	1	
15	1092049818	Indicator light	2	
20	1089060804	Knob	1	
25	1089060803	Switch	1	
30	1604401501	Label	1	
35	1089034107	Relay	4	
40	1604402800	Cover	1	
45	1202658400	Seal	1	
50	0663909500	O-ring	1	
55	0301232100	Plain washer	4	
60	0160099683	Screw	4	
65	1604403902	COVER	1	
70	1092037310	WIRE HARNESS	1	
75	0686925269	Protection plug	1	
80	1092049817	Hour meter	1	
85	1089920631	Circuit breaker	1	
90	1089920659	Protection cap	1	
95	1089932601	Push button	1	

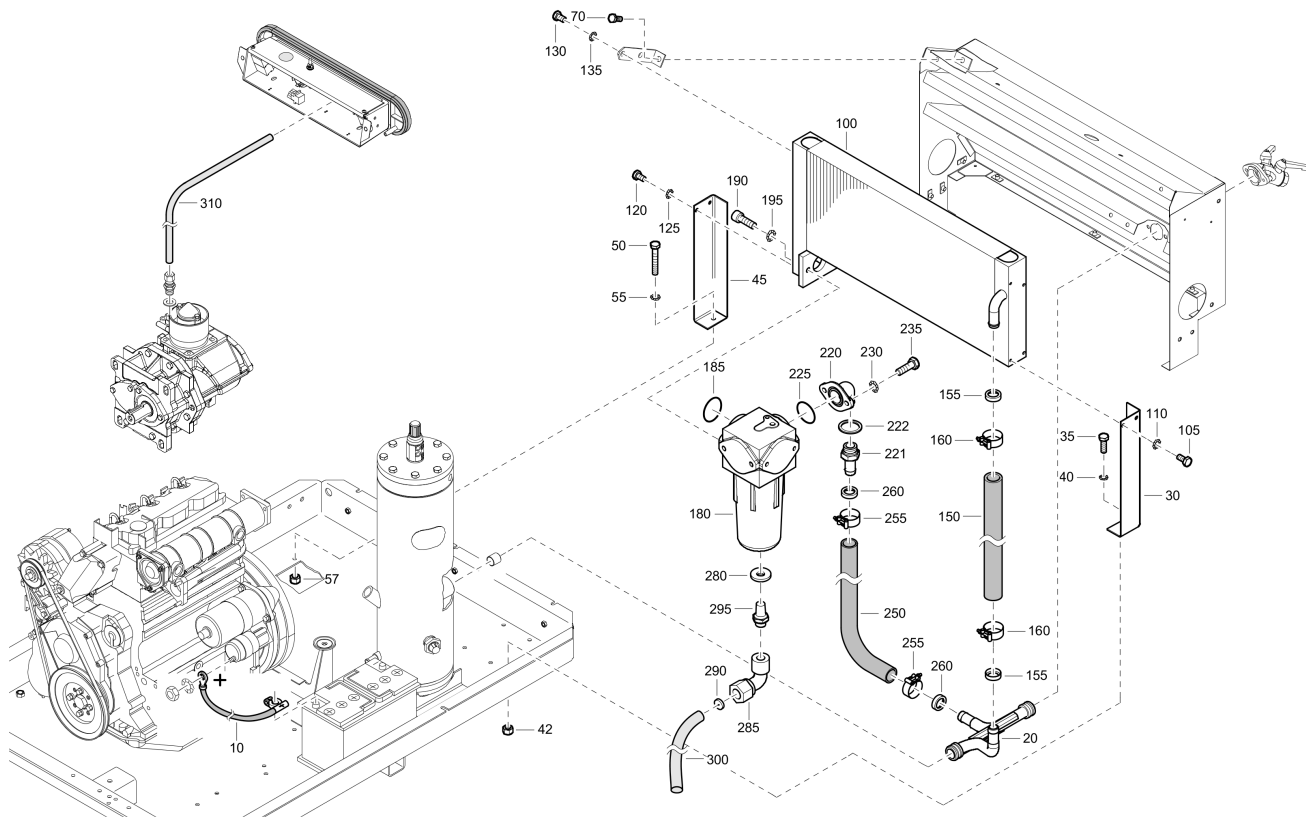
Option / accessories 1611864914\_02 SUPPORT-FOR SUPPORT MOUNTED COMPRESSOR



Refer to the Parts Online web page for most up-to-date information. The printed information might be outdated.

Item	Part No.	Name	Qty	L
20	1604532000	Support	1	
50	0147140015	Hex. Head screw	2	
55	0301235800	Washer DIN125	4	
70	0266211200	Nut DIN934	4	

Option / accessories 1611865314\_14 AFTERCOOLER - WITH WATERSEPARATOR



Refer to the Parts Online web page for most up-to-date information. The printed information might be outdated.

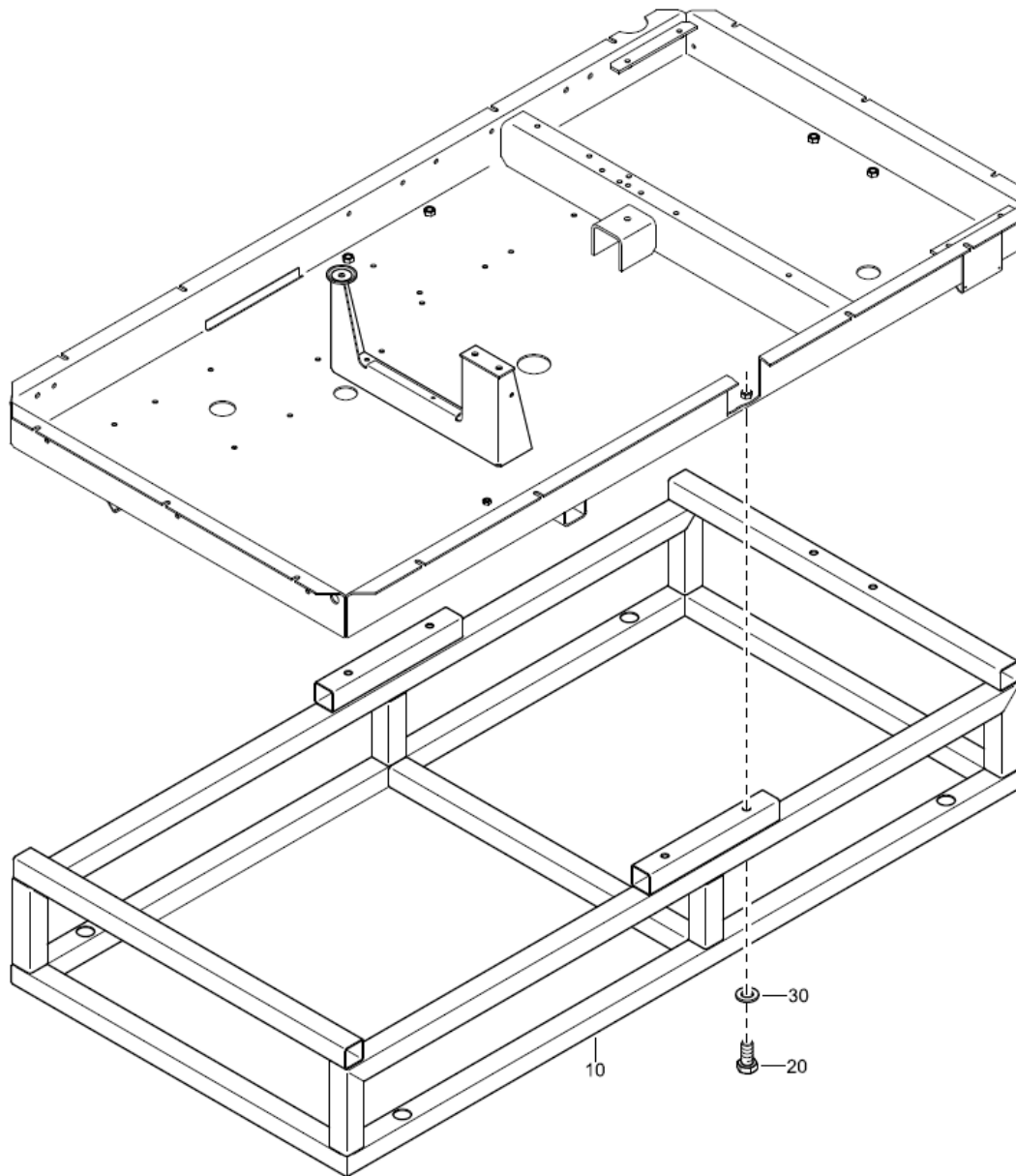
Item	Part No.	Name	Qty	L
10	1626293900	Cable battery	1	
20	1604403100	Pipe	1	
30	1604404000	Bracket	1	
35	0147132303	Bolt	1	
40	0333322700	Lock washer	1	
42	0266211000	Nut DIN934	1	
45	1604404100	Bracket	1	
50	0147132303	Bolt	1	
55	0333322700	Lock washer	1	
57	0266211000	Nut DIN934	1	
70	0147132303	Bolt	2	
100	1626140901	Cooler after	1	
105	0147132003	Hex. head screw	2	
110	0333322700	Lock washer	2	
120	0147132003	Hex. head screw	2	
125	0333322700	Lock washer	2	
130	0147132003	Hex. head screw	4	
135	0333322700	Lock washer	4	
150	0072840339	Hose	AR	
155	1615862700	Sleeve	2	
160	1079347101	Hose clip	2	
180	1615858100	Waterseparator	1	
185	0663713600	O-ring	1	
190	0211136303	Screw DIN912	2	
195	0333323200	Lock washer	2	
220	1604401900	Hose coupling	1	
221	1626087400	Hose nipple	1	
222	0661100030	Seal washer	1	
225	0663713600	O-ring	1	
230	0333323200	Lock washer	2	
235	0147136303	Bolt	2	
250	0072840339	Hose	AR	
255	1079347101	Hose clip	2	
260	1615862700	Sleeve	2	
280	0653106200	Gasket	1	

Refer to the Parts Online web page for most up-to-date information. The printed information might be outdated.

Item	Part No.	Name	Qty	L
285	1604395200	Coupling	1	
290	1615862000	Restrictor	1	
295	9090050700	SILENCER	1	
300	0070600205	Plastic tube	AR	
310	0070600204	Plastic tube	AR	

This page intentionally left blank

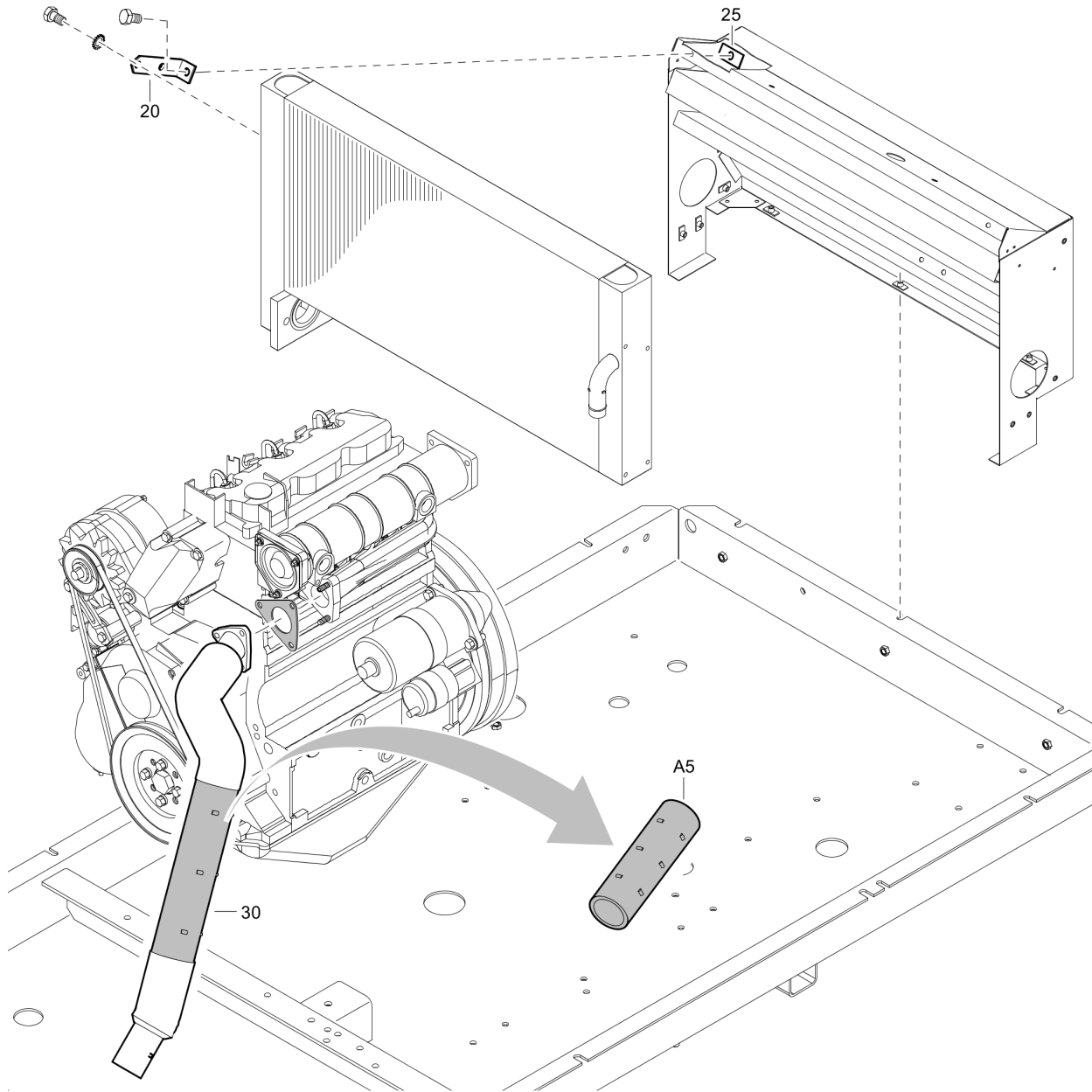
Option / accessories 1625004449\_02 SUPPORT MOUNTED



Refer to the Parts Online web page for most up-to-date information. The printed information might be outdated.

Item	Part No.	Name	Qty	L
10	1604532000	Support	1	
20	0147140015	Hex. Head screw	6	
30	0301235800	Washer DIN125	6	

Option / accessories 1611838414\_03 AF STEEL CANOPY



Refer to the Parts Online web page for most up-to-date information. The printed information might be outdated.

Item	Part No.	Name	Qty	L
20	1604394600	Bracket	2	
25	1604394700	Bracket	2	
30	1626753481	EXHAUST	1	
A5	1626540202	HEATBLANKET	1	

Any unauthorized use or copying of the contents or any part thereof is prohibited.  
This applies in particular to trademarks, model denominations, part numbers, and drawings.

