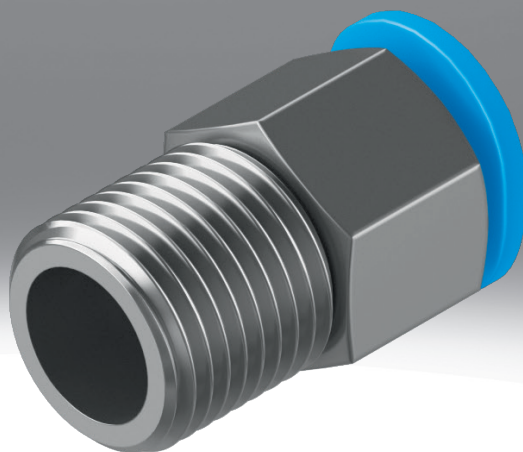


Push-in fitting, mini series QSM

FESTO



Characteristics

At a glance

Mini series

- Compact for maximum component density in confined installation spaces
- PBT and nickel-plated brass
- Operating medium: compressed air, vacuum

Additional documents

[Link](#)  [qsm](#)



The additional document QS-QSM-ADD contains further information on tubing/fitting combinations and thread types, as well as installation instructions.

Diagrams

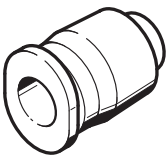
[Link](#)  [qsm](#)



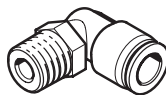
The diagrams shown in this document are also available online. These can be used to display precise values.

Design

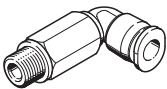
[C] Blanking plug



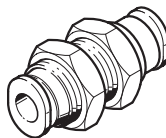
[L] L-shape



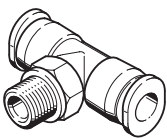
[LL] L-shape, long version



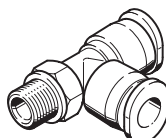
[S] Push-in bulkhead connector



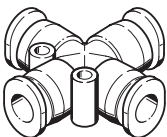
[T] T-shape



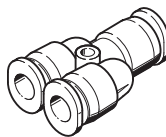
[TL] T-shape, additional push-in connector, lengthwise



[X] X-shape



[Y] Y-shape

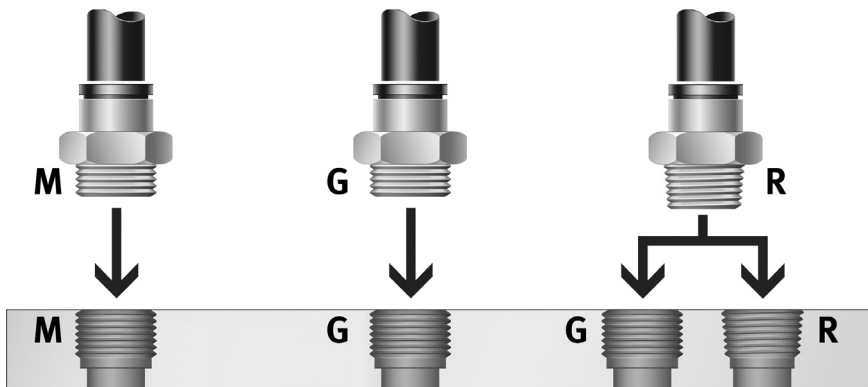


Pneumatic connection 1

Push-in fittings for different tube outside diameters can be combined with push-in fittings, push-in sleeves, metric male threads, male R and G threads.

Characteristics

Description



Which fitting fits into which thread?

- Metric thread: Threads are comparable to G threads and are mounted in metric cylindrical threads. Tightness is ensured by a chambered O-ring.
- G thread to ISO 228-1: shorter thread, constant installation depth, replaceable sealing ring, seal on the front, reusable several times thanks to replaceable sealing ring.
- R thread to EN 10226-1 and ISO 7/1: self-locking thread, seal on the thread, no additional sealing surface required, smaller installation dimensions as no shoulder for sealing surface, can be reused up to 5 times. If male R threads are combined with female G threads, leakage can occur if the female G thread was not manufactured cleanly or if it is not within permissible tolerances. In this case additional sealing, e.g. using a sealing band, is required.

Description

Note: All R threads are coated with a sealing material. This coating replaces the conventional sealing ring. Simply screw in the R thread by hand and tighten it by turning it once or twice with an open-ended spanner. The fitting can be screwed in up to five times. When screwing in the R threads several times, make sure that the abrasion of the sealing material coating cannot get into the compressed air system.

Type code

001	Series
QSM	Push-in fitting, mini series
QSMC	Push-in fitting, mini series
QSMF	Push-in fitting, mini series
QSML	Push-in fitting, mini series
QSMLL	Push-in fitting, mini series
QSMLLV	Push-in fitting, mini series
QSMMLV	Push-in fitting, mini series
QSMPLV	Push-in fitting, mini series
QSMPP	Push-in fitting, mini series
QSMPS	Push-in fitting, mini series
QSMPT	Push-in fitting, mini series
QSMPL	Push-in fitting, mini series
QSMPLX	Push-in fitting, mini series
QSMPLY	Push-in fitting, mini series

002	Design
	Straight shape
C	Blanking plug
L	L-shape
LL	L-shape, long version
S	Push-in bulkhead connector
T	T-shape
TL	T-shape, additional push-in connector, lengthwise
X	X-shape
Y	Y-shape

003	Pneumatic connection 1
1/8	Male thread R1/8
2	Push-in connector 2 mm
2H	Push-in sleeve 2 mm
3	Push-in connector 3 mm
3H	Push-in sleeve 3 mm
4	Push-in connector 4 mm
4H	Push-in sleeve 4 mm
6	Push-in connector 6 mm
6H	Push-in sleeve 6 mm
G1/8	Male thread G1/8
M3	Male thread M3
M5	Male thread M5
M6	Male thread M6
M6x0,75	Male thread M6x0.75
M7	Male thread M7
M8x0,75	Male thread M8x0.75
M8x1,25	Male thread M8x1.25

004	Pneumatic connection 2
	Same size push-in connector as pneumatic connection 1
2	Push-in connector 2 mm
3	Push-in connector 3 mm
4	Push-in connector 4 mm
6	Push-in connector 6 mm

005	Mounting method
	Standard
I	Internal hexagon

006	Additional characteristic
	None
R	Round releasing ring

007	Packaging unit [units]
10	10
100	100

Datasheet

General technical data – Male metric and G thread

Pneumatic connection, port 1	Male thread M3	Male thread M5	Male thread M6	Male thread M6x0.75	Male thread M7	Male thread M8x0.75	Male thread M8x1.25	Male thread G1/8
Design	Push-pull principle							
Mounting position	optional							
Type of seal on screwed plug	Sealing ring							
Nominal torque	0.48 Nm	1.2 ... 1.33 Nm	2.35 Nm	0.9 Nm	2.2 Nm	1.5 Nm		5.4 Nm
Nominal size	0.8 ... 1.6 mm	0.9 ... 2.6 mm	2.8 mm	2.5 mm	1.8 ... 4.1 mm	4 mm		2.3 ... 4.1 mm

General technical data – Male R thread

Pneumatic connection, port 1	Male thread R1/8
Design	Push-pull principle
Mounting position	optional
Type of seal on screwed plug	Coating
Nominal size	2.3 ... 4.5 mm

General technical data – Female G thread

Pneumatic connection, port 1	Female thread M3	Female thread M5
Design	Push-pull principle	
Mounting position	optional	
Type of seal on screwed plug	Sealing ring	
Nominal size	1.3 ... 2.1 mm	1.8 ... 1.9 mm

General technical data – Push-in sleeve

Pneumatic connection, port 1	Push-in sleeve Ø 2 mm	Push-in sleeve Ø 3 mm	Push-in sleeve Ø 4 mm	Push-in sleeve Ø 6 mm
Design	–	Push-pull principle		
Mounting position	optional			
Nominal size	–	1.1 ... 1.2 mm	1.7 ... 1.9 mm	1.9 ... 3.2 mm

General technical data – For tubing outer Ø

Pneumatic connection, port 1	For tubing outer diameter of 2 mm	For tubing outside diameter of 3 mm	For tubing outer diameter of 4 mm	For tubing outside diameter of 6 mm
Design	Push-pull principle			
Mounting position	optional			
Type of seal on screwed plug	Sealing ring		–	
Nominal size	0.9 mm	1.1 ... 1.9 mm	1.6 ... 2.6 mm	2.3 ... 3.7 mm

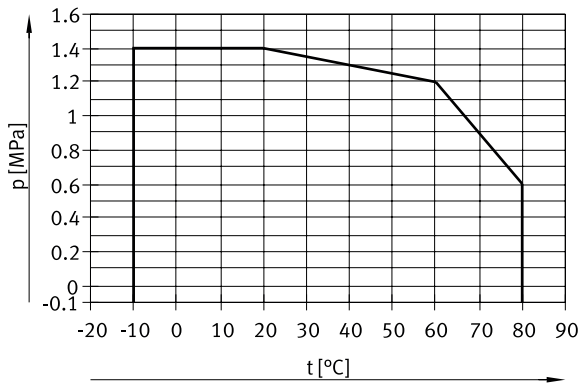
Operating and environmental conditions

Operating pressure complete temperature range	-0.95 ... 6 bar
Temperature-dependent operating pressure	-0.95 ... 14 bar
Operating medium	Compressed air to ISO 8573-1:2010 [7:::]
Note on operating and pilot medium	Lubricated operation possible
Ambient temperature	-10 ... 80°C
Corrosion resistance class CRC ¹⁾	1 - Low corrosion stress
Maritime classification ²⁾	See certificate

1) More information www.festo.com/x/topic/crc2) More information www.festo.com/catalogue/qsm → Support/Downloads.

Datasheet

Operating pressure p as a function of temperature t



Materials – Push-in fittings

Material housing ¹⁾	Anodised aluminium, Brass, nickel-plated, PBT, Nickel-plated steel
Material release ring	POM
Material tubing seal	NBR
Material tubing clamp component	High-alloy stainless steel
Note on materials	RoHS-compliant
Material nut ²⁾	Nickel-plated brass
Material hollow bolt ³⁾	Nickel-plated brass

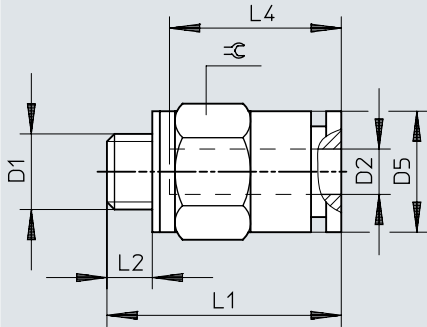
1) QSM-M3-3/4: Nickel-plated steel (instead of nickel-plated brass)

2) QSMS

3) QSMLV/QSMLLV

Dimensions

Dimensions – Push-in fitting QSM, metric thread with sealing ring

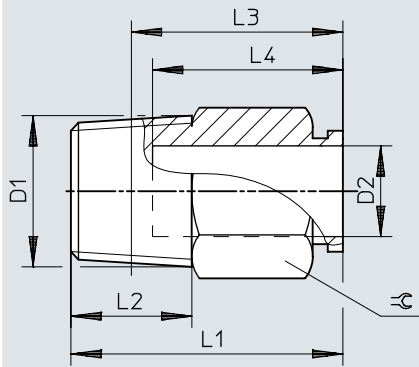
Download CAD data www.festo.com

	D1	D2	D5	L1	L2	L4	⌀
QSM-M3-2	M3	2	4,8	12,1	2,5	8,4	5
QSM-M3-3		3	7	13,3	2,5	9,6	5,5
QSM-M3-3-100		3	7	13,3	2,5	9,6	5,5
QSM-M3-4		4	9,8	15,7	2,5	11,5	8
QSM-M3-4-100		4	9,8	15,7	2,5	11,5	8
QSM-M5-2	M5	2	4,8	11,8	3	8,4	7
QSM-M5-3		3	9,8	16,2	3	11,5	8
QSM-M5-3-100		3	9,8	16,2	3	11,5	8
QSM-M5-4		4	9,8	16,2	3	11,5	8
QSM-M5-4-100		4	9,8	16,2	3	11,5	8
QSM-M5-6		6	11,8	17,3	3	12	10
QSM-M5-6-100	6	11,8	17,3	3	12	10	
QSM-M6-6	M6	6	11,8	18	3,9	11,7	10

Dimensions

Dimensions – Push-in fitting QSM, R thread

Download CAD data www.festo.com

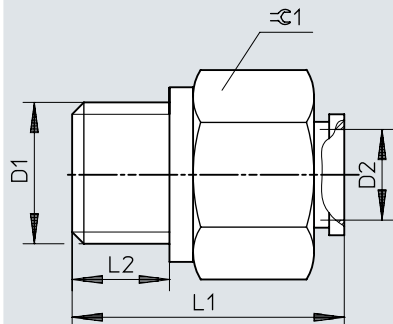


	D1	D2	L1	L2	L3	L4	≡G
QSM-1/8-4	R1/8	4	16	8	12	11,5	10
QSM-1/8-4-100							
QSM-1/8-6		6	18	8	14	12	10
QSM-1/8-6-100							

Dimensions

Dimensions – Push-in fitting QSM, G thread with sealing ring

Download CAD data www.festo.com

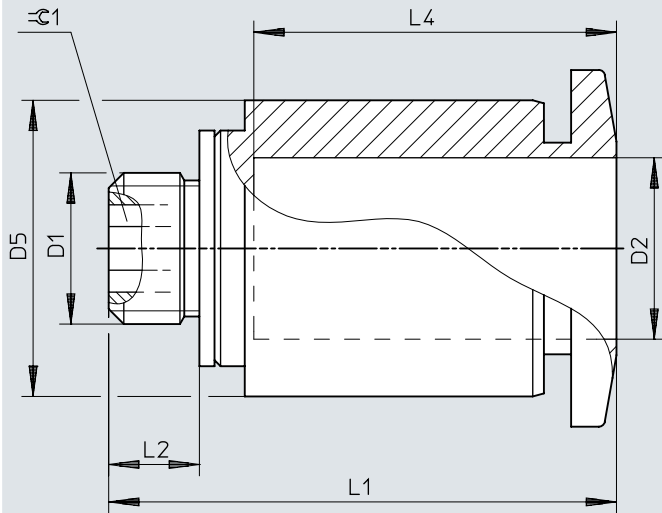


	D1	D2	L1	L2	$\varnothing C1$
QSM-G1/8-4	G1/8	4	16,4	5,1	13
QSM-G1/8-6		6	18,4	5,1	13

Dimensions

Dimensions – Push-in fitting QSM-...-I, metric thread with sealing ring

Download CAD data www.festo.com

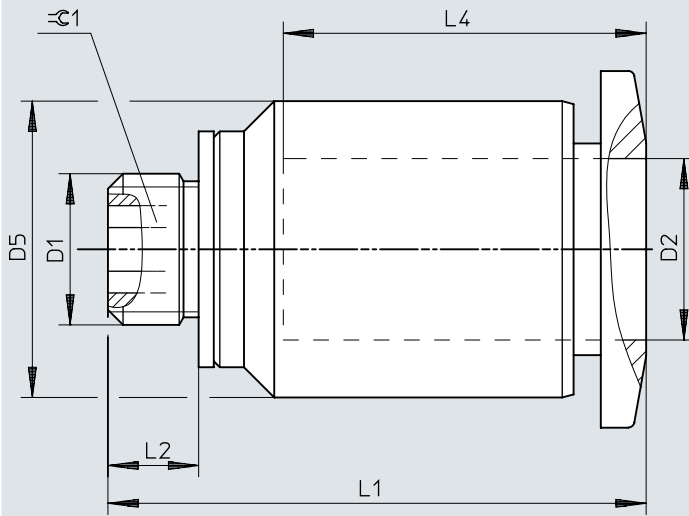


	D1	D2	D5 ∅	L1	L2	L4	☉
QSM-M3-2-I	M3	2	5	12,1	2,5	8,4	1,3
QSM-M5-3-I	M5	3	8	16,2	3	11,5	2
QSM-M5-4-I	M5	4	8	16,2	3	11,5	2,5
QSM-M7-4-I	M7	4	9,8	18,9	5,5	11,5	3
QSM-M7-4-I-100							
QSM-M7-6-I	M7	6	9,8	20,9	5,5	12	4

Dimensions

Dimensions – Push-in fitting QSM-...-I, metric thread with sealing ring and chamfer

Download CAD data www.festo.com

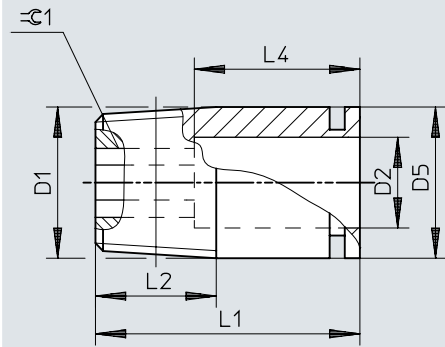


	D1	D2	D5 ∅	L1	L2	L4	≡
QSM-M3-3-I	M3	3	8	15,7	2,5	11,5	1,5
QSM-M3-4-I	M3	4	8	15,7	2,5	11,5	1,5
QSM-M5-6-I	M5	6	9,8	17,8	3	12	2,5

Dimensions

Dimensions – Push-in fitting QSM-...-I, R thread

Download CAD data www.festo.com

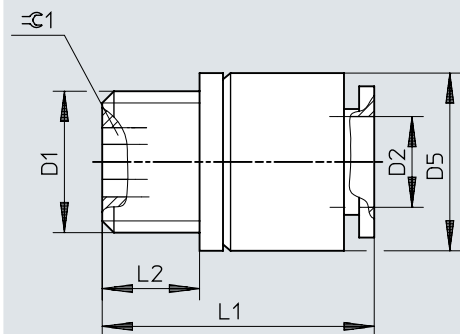


	D1	D2	D5 ∅	L1	L2	L3	L4	∅
QSM-1/8-4-I	R1/8	4	10	16,4	8	12,4	11,5	3
QSM-1/8-6-I		6	10	18,2	8	14,2	12,5	4

Dimensions

Dimensions – Push-in fitting QSM-...-I, G thread with sealing ring

Download CAD data www.festo.com

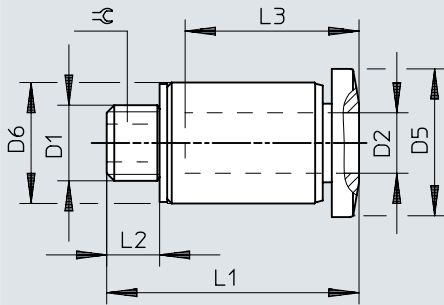


	D1	D2	D5 ∅	L1	L2	± 0.1
QSM-G1/8-4-I	G1/8	4	13	16,4	5,1	3
QSM-G1/8-6-I		6	13	18,4	5,1	4

Dimensions

Dimensions – Push-in fitting QSM-...-I-R, metric thread with sealing ring, round releasing ring

Download CAD data www.festo.com

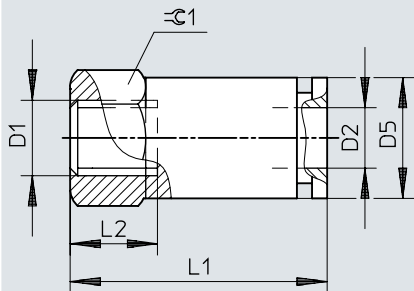


	D1	D2	D5 ∅	D6 ∅	L1	L2	L3	☉
QSM-M3-3-I-R	M3	3	6	5,5	13,3	2,5	9,6	1,5
QSM-M3-3-I-R-100								
QSM-M3-4-I-R	M3	4	7,8	8	15,7	2,5	11,5	1,5
QSM-M3-4-I-R-100								
QSM-M5-3-I-R	M5	3	7,8	8	16,2	3	11,5	2
QSM-M5-3-I-R-100								
QSM-M5-4-I-R		4	7,8	8	16,2	3	11,5	2,5
QSM-M5-4-I-R-100								
QSM-M5-6-I-R	M5	6	9,8	9,8	17,8	3	12	2,5
QSM-M5-6-I-R-100								
QSM-M7-6-I-R	M7	6	9,8	9,8	20,9	5,5	12	4
QSM-M7-6-I-R-100								

Dimensions

Dimensions – Push-in fitting QSMF

Download CAD data www.festo.com

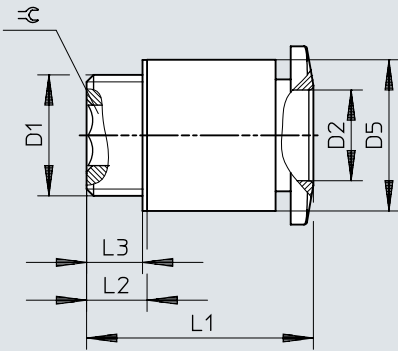


	D1	D2	D5 ∅	L1	L2	≈C
QSMF-M3-3	M3	3	5,5	13,9	4,4	5,5
QSMF-M3-4		4	8	16	4,5	8
QSMF-M5-3	M5	3	8	15,5	4,5	8
QSMF-M5-4		4	8	18,2	4,5	8

Dimensions

Dimensions – Push-in fitting QSMP

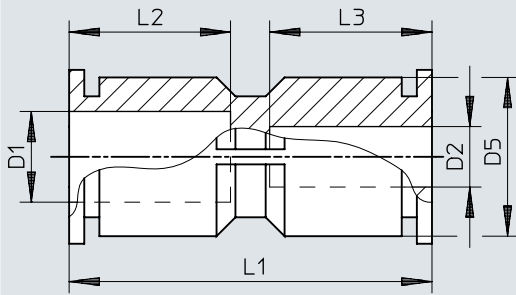
Download CAD data www.festo.com



	D1	D2	D5 ∅	L1	L2	L3	☞
QSMP-M6X0.75-4	M6x0,75	4	8	14,6	3,5	3	2,5
QSMP-M8X0.75-6	M8x0,75	6	10	15,1	4	3,4	4
QSMP-M8X1.25-6	M8x1,25	6	10	19,1	7	6,4	4

Dimensions

Dimensions – Push-in connector QSM

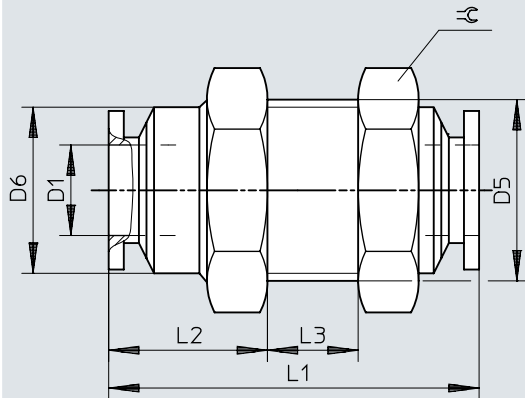
Download CAD data www.festo.com

	D1	D2	D5 ∅	L1	L2	L3
QSM-3	3	3	6	20	9,5	9,5
QSM-3-100						
QSM-4	4	4	8	23,5	11,5	11,5
QSM-4-100						
QSM-6	6	6	10,5	25	12	12
QSM-6-100						
QSM-3-2	3	2	6	19,1	9,3	8,4
QSM-4-3	4	3	8	23,9	11,6	11,6
QSM-4-3-100						
QSM-6-4	6	4	10,5	24,9	11,6	11,6
QSM-6-4-100						

Dimensions

Dimensions – Push-in bulkhead connector QSMS

Download CAD data www.festo.com

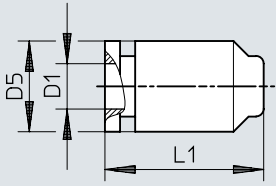


	D1	D5	D6 ∅	L1	L2	L3 max.	≙
QSMS-3	3	M8x0,75	7	19,5	7	7,5	10
QSMS-4	4	M10x1	9	24	9,5	7,5	12
QSMS-4-100							
QSMS-6	6	M12x1	11	25	11	6	14
QSMS-6-100							

Dimensions

Dimensions – Push-in cap QSMC

Download CAD data www.festo.com

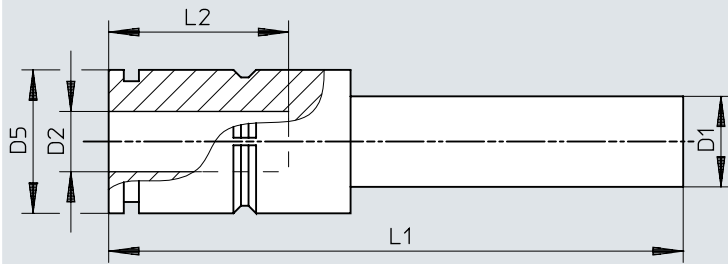


	D1	D5 ∅	L1
QSMC-3	3	6	10,5

Dimensions

Dimensions – Push-in connector QSM-...H

Download CAD data www.festo.com

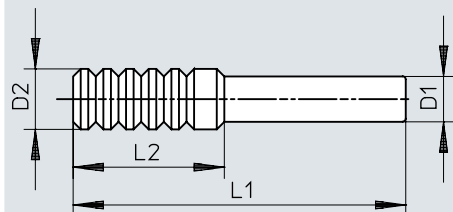


	D1	D2	D5 ∅	L1	L2
QSM-3H-2	QS-3	2	6	26,3	8,4
QSM-4H-3	QS-4	3	6	27	9,5
QSM-4H-3-100					
QSM-6H-4	QS-6	4	9	32,6	11,6
QSM-6H-4-100					

Dimensions

Dimensions – Blanking plug QSMC-...H

Download CAD data www.festo.com

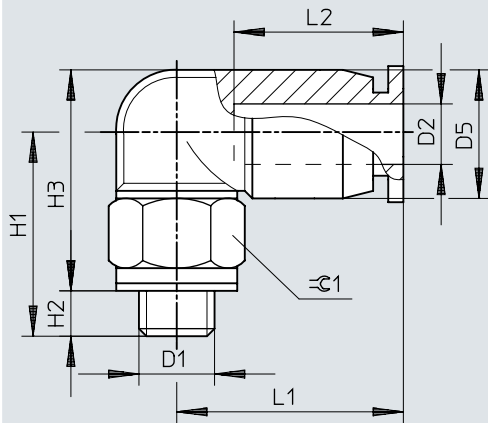


	D1	D2 ø	L1	L2
QSMC-2H	QS-2	3	20	10,2
QSMC-3H	QS-3	4	22	10,2

Dimensions

Dimensions – Push-in L-fitting QSML, metric thread with sealing ring

Download CAD data www.festo.com

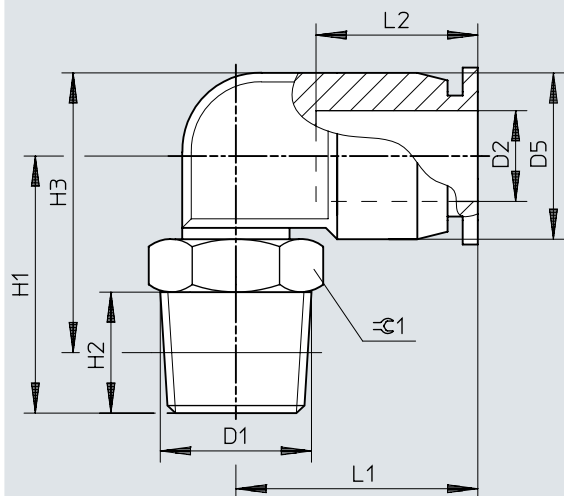


	D1	D2	D5 ∅	H1	H2	H3	L1	L2	☉
QSML-M3-2	M3	2	6	12	2,5	12,5	10,3	8,4	5,5
QSML-M3-3		3	6	12	2,5	12,5	11	9,5	5,5
QSML-M3-3-100		4	8	14	2,5	15,5	15,7	11,6	8
QSML-M3-4		4	8	14	2,5	15,5	15,7	11,6	8
QSML-M3-4-100	M5	2	6	13,5	3	13,5	10,3	8,4	8
QSML-M5-2		3	6	13,5	3	13,5	11	9,5	8
QSML-M5-3		4	8	13,5	3	14,5	15,7	11,6	8
QSML-M5-3-100		6	10,5	14,5	3	16,8	16,3	11,9	8
QSML-M5-4		4	8	17	5,5	15,5	15,7	11,6	10
QSML-M5-4-100		6	10,5	19	5,5	18,8	16,3	11,9	10
QSML-M5-6	M7	4	8	17	5,5	15,5	15,7	11,6	10
QSML-M5-6-100		6	10,5	19	5,5	18,8	16,3	11,9	10
QSML-M7-4		4	8	17	5,5	15,5	15,7	11,6	10
QSML-M7-4-100		6	10,5	19	5,5	18,8	16,3	11,9	10
QSML-M7-6	M7	4	8	17	5,5	15,5	15,7	11,6	10
QSML-M7-6-100		6	10,5	19	5,5	18,8	16,3	11,9	10

Dimensions

Dimensions – Push-in L-fitting QSML, R thread

Download CAD data www.festo.com

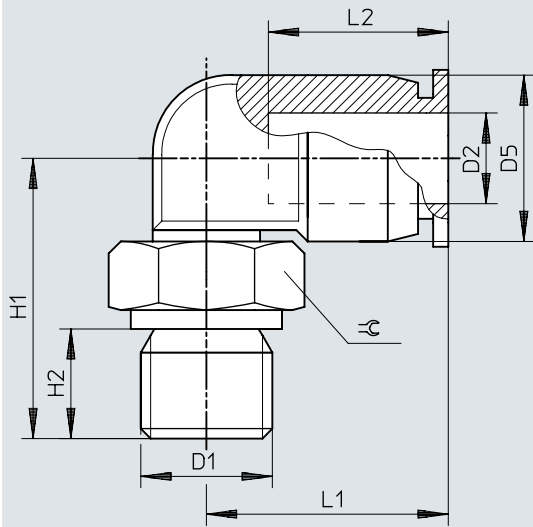


	D1	D2	D5 ∅	H1	H2	H3	L1	L2	⌀
QSML-1/8-4	R1/8	4	8,5	16	8	16,3	16	11,5	10
QSML-1/8-4-100									
QSML-1/8-6		6	11	17	8	18,5	16,5	12	
QSML-1/8-6-100									

Dimensions

Dimensions – Push-in L-fitting QSML, G thread with sealing ring

Download CAD data www.festo.com

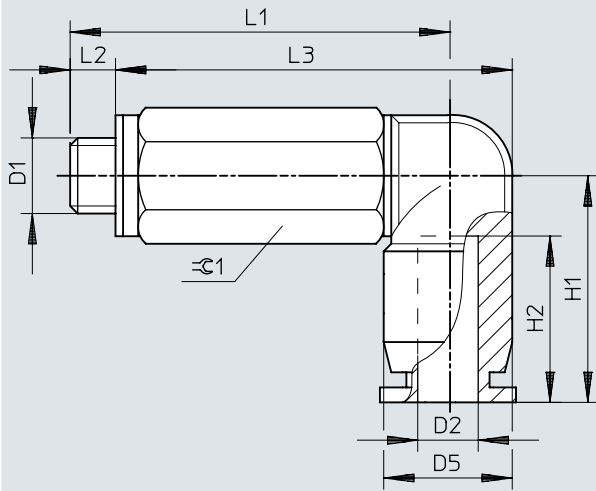


	D1	D2	D5 ∅	H1	H2	L1	≠G
QSML-G1/8-4	G1/8	4	8	16,5	5,1	15,7	13
QSML-G1/8-4-100							
QSML-G1/8-6		6	10,5	17,5	5,1	16,3	13

Dimensions

Dimensions – Push-in L-fitting, long QSMLL, metric thread with sealing ring

Download CAD data www.festo.com

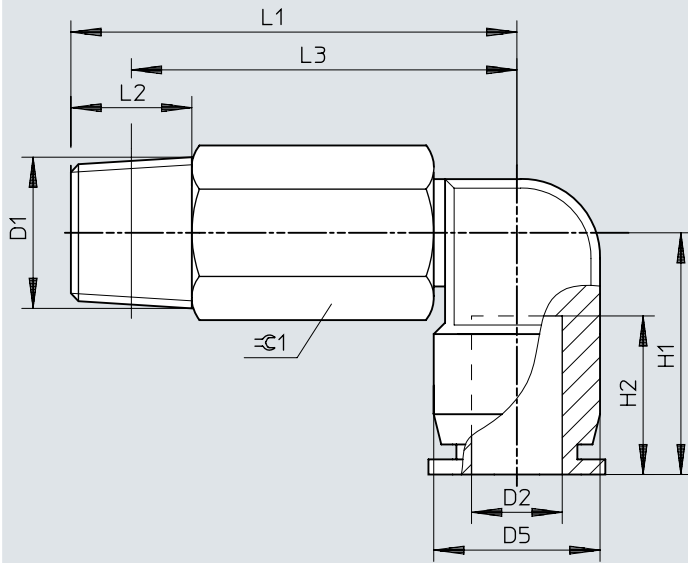


	D1	D2	D5 ∅	H1	H2	L1	L2	L3	≡
QSMLL-M3-2	M3	2	6	10,3	8,4	19	2,5	19,5	5,5
QSMLL-M3-3		3	6	11	9,5	19	2,5	19,5	5,5
QSMLL-M3-3-100		4	8	15,7	11,6	23	2,5	24,5	8
QSMLL-M3-4	M5	2	6	10,3	8,4	25	3	25	8
QSMLL-M5-2		3	6	11	9,5	25	3	25	8
QSMLL-M5-3		4	8	15,7	11,6	25	3	26	8
QSMLL-M5-3-100		6	10,5	16,3	11,9	26	3	28,3	8
QSMLL-M5-4		4	8	15,7	11,6	29,5	5,5	28	10
QSMLL-M5-6	M7	6	10,5	16,3	11,9	31,5	5,5	31,3	10
QSMLL-M7-4		4	8	15,7	11,6	29,5	5,5	28	10
QSMLL-M7-4-100		6	10,5	16,3	11,9	31,5	5,5	31,3	10
QSMLL-M7-6									

Dimensions

Dimensions – Push-in L-fitting, long QSMLL, R thread

Download CAD data www.festo.com

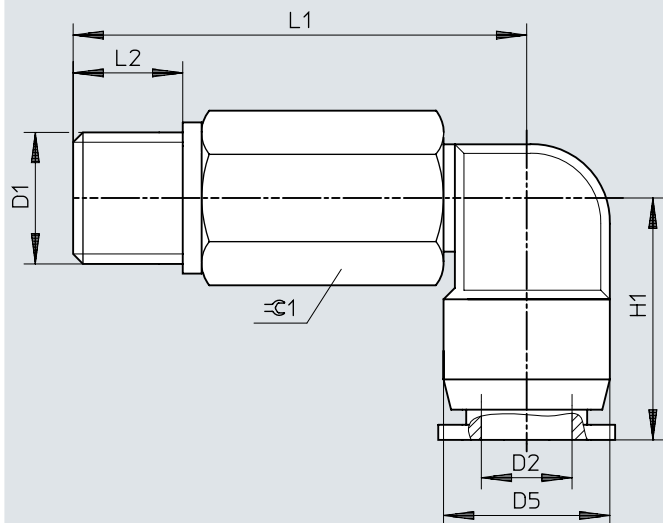


	D1	D2	D5 ∅	H1	H2	L1	L2	L3	≡
QSMLL-1/8-4	R1/8	4	8,5	15,5	11,5	28,5	8	22	10
QSMLL-1/8-6		6	11	16,5	12	29,5	8	25,5	10

Dimensions

Dimensions – Push-in L-fitting, long QSMLL, G thread with sealing ring

Download CAD data www.festo.com

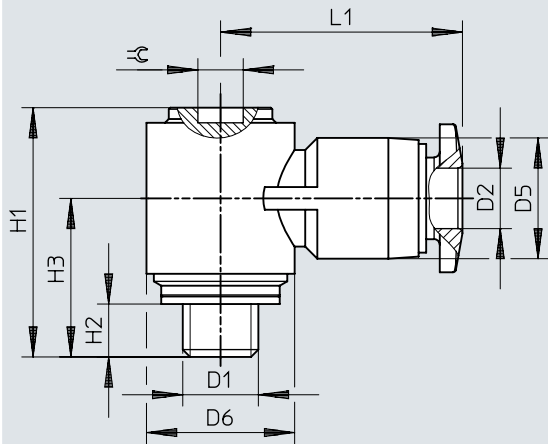


	D1	D2	D5 ∅	H1	L1	L2	\sqrt{Ra}
QSMLL-G1/8-4	G1/8	4	8	15,7	29	5,1	13
QSMLL-G1/8-6		6	10,5	16,3	30	5,1	13

Dimensions

Dimensions – Push-in L-fitting QSMLV...-I

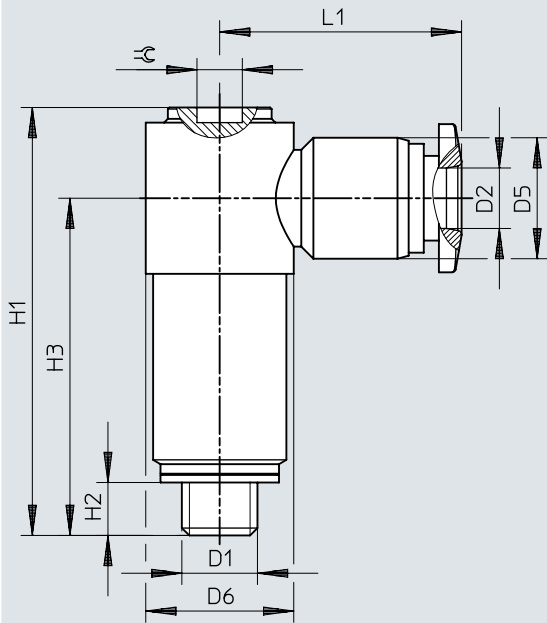
Download CAD data www.festo.com



	D1	D2	D5 ∅	D6 ∅	H1	H2	H3	L1	⊖
QSMLV-M5-3-I	M5	3	8	9,8	16,5	3,5	10,5	16	3
QSMLV-M5-4-I		4	8	9,8	16,5	3,5	10,5	16	3
QSMLV-M7-4-I	M7	4	8	9,8	18,5	5,5	13,2	16	3
QSMLV-M7-6-I		6	10,5	9,8	18,5	5,5	12,5	17,8	3

Dimensions

Dimensions – Push-in L-fitting, long QSMLLV-...-I

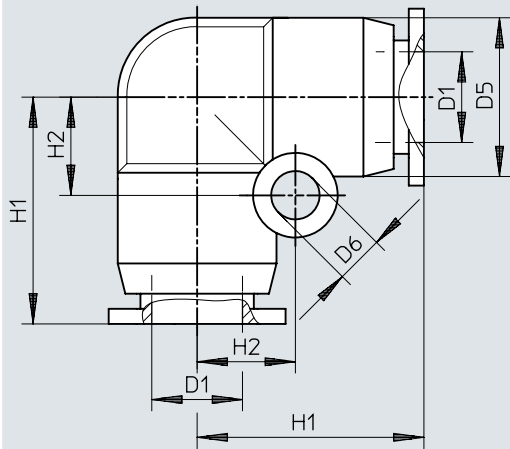
Download CAD data www.festo.com

	D1	D2	D5 ø	D6 ø	H1	H2	H3	L1	≡G
QSMLLV-M5-3-I	M5	3	8	9,8	28,3	3,5	23	16	3
QSMLLV-M5-4-I		4	8	9,8	28,3	3,5	23	16	3
QSMLLV-M7-4-I	M7	4	8	9,8	30,3	5,5	25	16	3
QSMLLV-M7-6-I		6	10,5	9,8	30,3	5,5	24,3	17,8	3

Dimensions

Dimensions – Push-in L-connector QSML

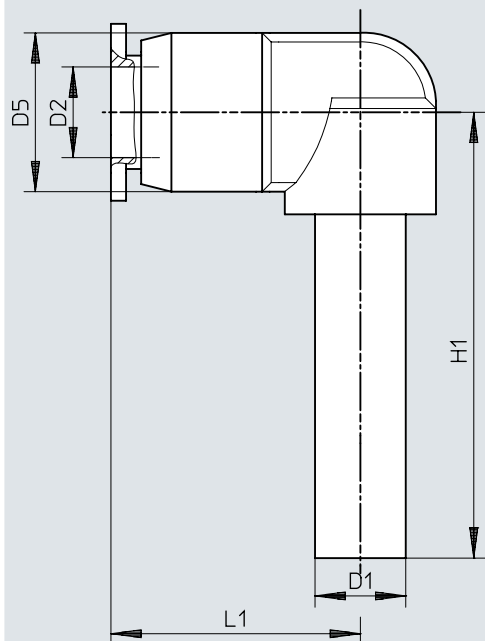
Download CAD data www.festo.com



	D1	D5 ∅	D6 ∅	H1	H2
QSML-3	3	6	3,2	11	4,5
QSML-4	4	8	3,2	13,5	5,5
QSML-4-100					
QSML-6	6	10,5	3,2	15,5	6,5
QSML-6-100					

Dimensions

Dimensions – Push-in L-connector QSML-...H

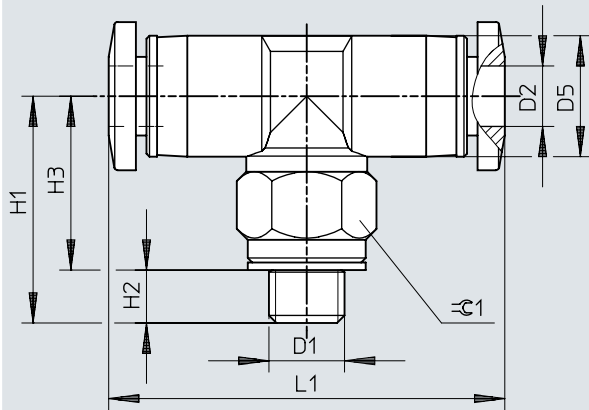
Download CAD data www.festo.com

	D1	D2	D5 ∅	H1	L1
QSML-3H	QS-3	3	9	24	14,7
QSML-4H	QS-4	4	9	25	14,7
QSML-6H	QS-6	6	10,5	26,5	17,3
QSML-4H-3	QS-4	3	9	25	14,7
QSML-6H-4	QS-6	4	9	26	14,7

Dimensions

Dimensions – Push-in T-fitting QSMT, metric thread with sealing ring

Download CAD data www.festo.com

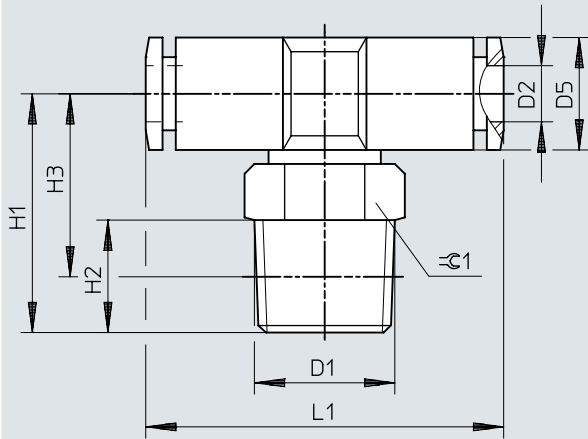


	D1	D2	D5 ∅	H1	H2	H3	L1	☉
QSMT-M3-3	M3	3	6	12,8	3,3	9,5	22	5,5
QSMT-M3-4		4	8	15,8	3,3	12,5	26,2	8
QSMT-M5-3	M5	3	6	14	3,5	10,5	22	8
QSMT-M5-4		4	8	15	3,5	11,5	26,2	8
QSMT-M5-4-100		4	8	15	3,5	11,5	26,2	8
QSMT-M5-6		6	10,5	16	3,5	12,5	28,4	8
QSMT-M5-6-100								

Dimensions

Dimensions – Push-in T-fitting QSMT, R thread

Download CAD data www.festo.com

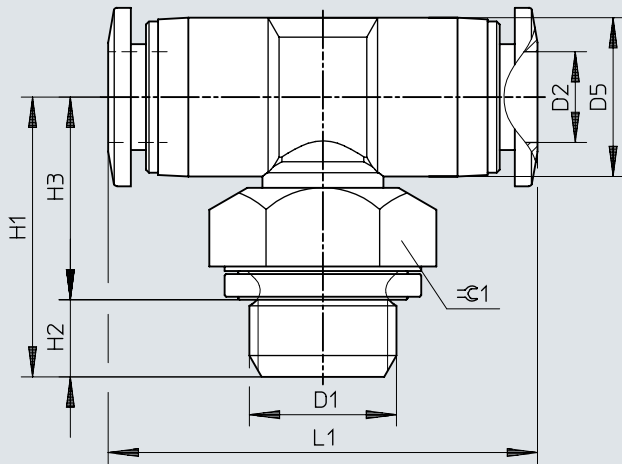


	D1	D2	D5 ø	H1	H2	H3	L1	☞
QSMT-1/8-4	R1/8	4	8,5	17	8	13	27	10
QSMT-1/8-6		6	11	18	8	14	30	10

Dimensions

Dimensions – Push-in T-fitting QSMT, G thread with sealing ring

Download CAD data www.festo.com

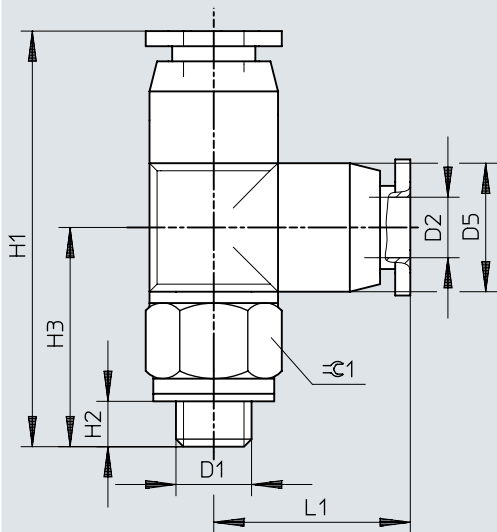


	D1	D2	D5 \varnothing	H1	H2	H3	L1	$\varnothing 1$
QSMT-G1/8-4	G1/8	4	8	17,5	5,1	12,4	26,2	13
QSMT-G1/8-6		6	10,5	18,5	5,1	13,4	28,4	13

Dimensions

Dimensions – Push-in T-fitting QSMTL, metric thread with sealing ring

Download CAD data www.festo.com

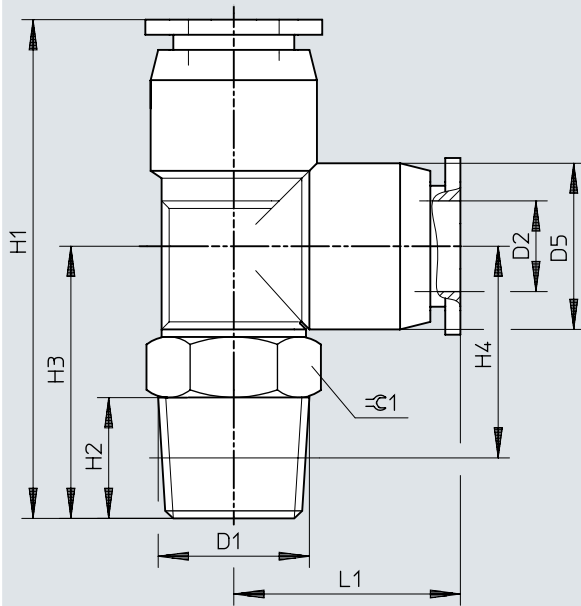


	D1	D2	D5 ∅	H1	H2	H3	L1	C1
QSMTL-M3-3	M3	3	6	23,8	3,3	12,8	11	5,5
QSMTL-M3-4		4	8	29,5	3,3	15,8	13,7	8
QSMTL-M5-3	M5	3	6	25	3,5	14	11	8
QSMTL-M5-4		4	8	28,7	3,5	15	13,7	8
QSMTL-M5-6		6	10,5	31,3	3,5	16	15,3	8

Dimensions

Dimensions – Push-in T-fitting QSMTL, R thread

Download CAD data www.festo.com

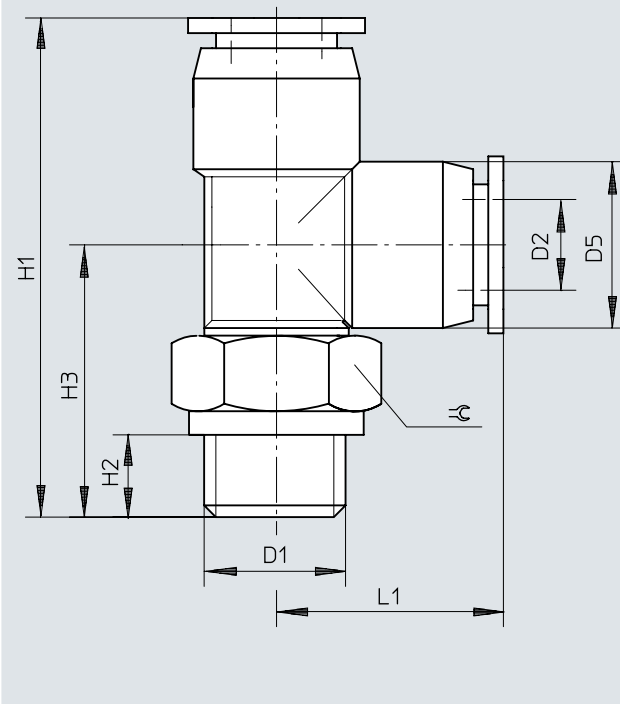


	D1	D2	D5 ø	H1	H2	H3	H4	L1	⊕
QSMTL-1/8-4	R1/8	4	8,5	30	8	17	13	13	10
QSMTL-1/8-6		6	10,5	33	8	18	14	15	10

Dimensions

Dimensions – Push-in T-fitting QSMTL, G thread with sealing ring

Download CAD data www.festo.com

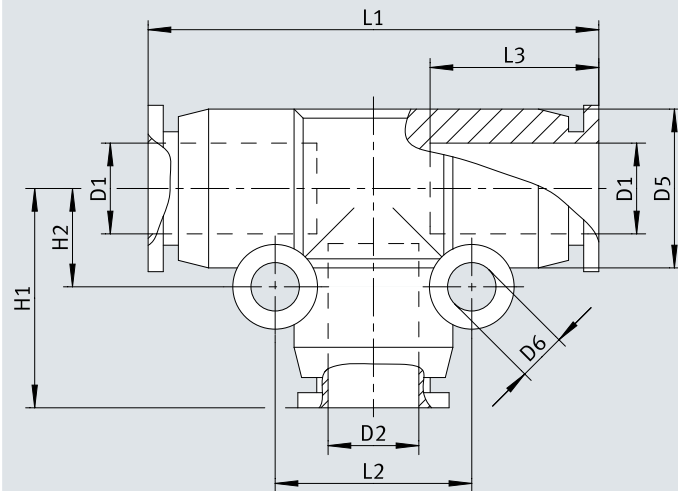


	D1	D2	D5 ∅	H1	H2	H3	L1	☞
QSMTL-G1/8-4	G1/8	4	8	31,7	5,1	17,5	13,7	13
QSMTL-G1/8-6		6	10,5	33,8	5,1	18,5	15,3	13

Dimensions

Dimensions – Push-in T-connector QSMT

Download CAD data www.festo.com

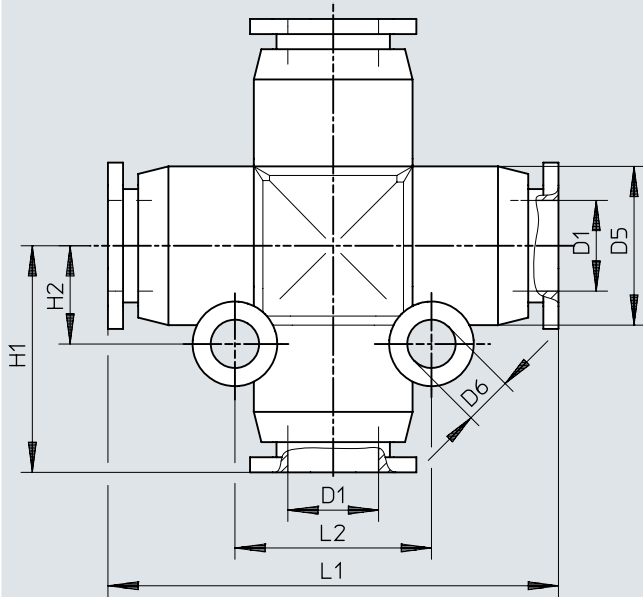


	D1	D2	D5 ø	D6 ø	H1	H2	L1	L2	L3
QSMT-2	2	2	6	3,2	10,3	4,5	20,5	9	8,4
QSMT-3	3	3	6	3,2	11	4,5	22	9	9,5
QSMT-4	4	4	8	3,2	13,7	5,6	27,3	11,2	11,6
QSMT-4-100									
QSMT-6	6	6	10,5	3,2	15,3	6,6	30,5	13,2	11,9
QSMT-6-100									
QSMT-4-3	4	3	8	3,2	13	5,5	27	11,2	11,5
QSMT-6-4	6	4	10,5	3,2	15	6,5	30	13,2	12

Dimensions

Dimensions – Push-in X-connector QSMX

Download CAD data www.festo.com

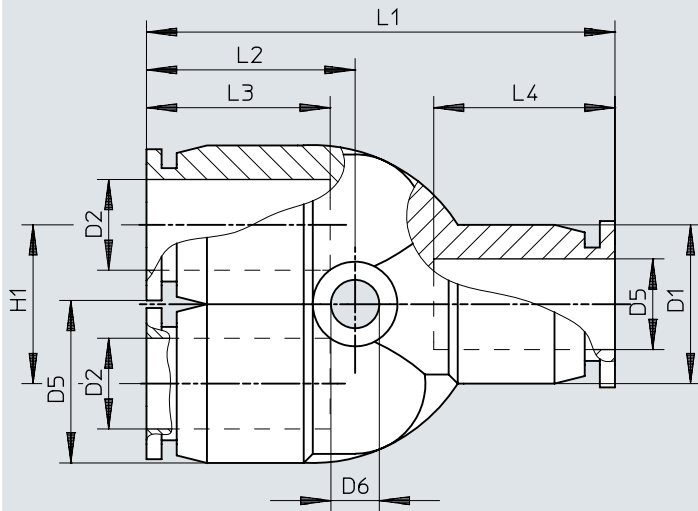


	D1	D5 ∅	D6 ∅	H1	H2	L1	L2
QSMX-3	3	8	3,2	13,5	5,5	27	11
QSMX-4	4	8	3,2	13,5	5,5	27	11
QSMX-6	6	10,5	3,2	15,5	6,5	31	13

Dimensions


Dimensions – Push-in Y-connector QSMY


Download CAD data www.festo.com





	D1	D2	D5 ø	D6 ø	H1	L1	L2	L3	L4
QSMY-2	2	2	6	3,2	6,5	19,5	11,8	8,4	8,4
QSMY-3	3	3	8	3,2	8	28,8	13,2	11,6	11,6
QSMY-4	4	4	8	3,2	8	28,8	13,2	11,6	11,6
QSMY-4-100									
QSMY-6	6	6	10,5	3,2	10,5	31,6	14,3	11,9	11,9
QSMY-6-100									
QSMY-4-3	4	3	8	3,2	8	28,8	13,2	11,6	11,6
QSMY-6-4	6	4	10,5	3,2	10,5	31,5	14,2	11,6	11,9

Ordering data


Push-in fitting QSM, metric thread with sealing ring							
	Pneumatic connection, port 1	Pneumatic connection, port 2	Size of pack	Product weight	Part no.	Type	
	Male thread M3	For tubing outside diameter of 2 mm	10	1 g	133027	QSM-M3-2	
		For tubing outer diameter of 3 mm	100	1.1 g	153301	QSM-M3-3	
					130775	QSM-M3-3-100	
		For tubing outside diameter of	10	100	2.4 g	153303	QSM-M3-4
						130776	QSM-M3-4-100
		Male thread M5	For tubing outside diameter of 2 mm	10	2.2 g	133028	QSM-M5-2
	For tubing outer diameter of 3 mm		100	3.4 g	153302	QSM-M5-3	
					130777	QSM-M5-3-100	
	For tubing outside diameter of 4 mm		10	3.2 g	153304	QSM-M5-4	
	For tubing outside diameter of 6 mm	10	100	4.5 g	130778	QSM-M5-4-100	
153306					QSM-M5-6		
Male thread M6	6 mm	10	4.8 g	130779	QSM-M5-6-100		
				132600	QSM-M6-6		


Push-in fitting QSM, R thread						
	Pneumatic connection, port 1	Pneumatic connection, port 2	Size of pack	Product weight	Part no.	Type
	Male thread R1/8	For tubing outside diameter of 4 mm	10	6 g	153305	QSM-1/8-4
			100		130755	QSM-1/8-4-100
		For tubing outside diameter of 6 mm	10		153307	QSM-1/8-6
			100		130756	QSM-1/8-6-100


Push-in fitting QSM, G thread with sealing ring						
	Pneumatic connection, port 1	Pneumatic connection, port 2	Size of pack	Product weight	Part no.	Type
	Male thread G1/8	For tubing outside diameter of 4 mm	10	9.4 g	186264	QSM-G1/8-4
		For tubing outside diameter of 6 mm		11 g	186265	QSM-G1/8-6


Push-in fitting QSM-...-I, metric thread with sealing ring						
	Pneumatic connection, port 1	Pneumatic connection, port 2	Size of pack	Product weight	Part no.	Type
	Male thread M3	For tubing outside diameter of 2 mm	10	0.8 g	133026	QSM-M3-2-I
		For tubing outer diameter of 3 mm		2.3 g	153312	QSM-M3-3-I
				2.2 g	153314	QSM-M3-4-I
	Male thread M5	For tubing outer diameter of 3 mm		3.2 g	153313	QSM-M5-3-I

Ordering data


Push-in fitting QSM-...-I, metric thread with sealing ring						
	Pneumatic connection, port 1	Pneumatic connection, port 2	Size of pack	Product weight	Part no.	Type
	Male thread M5	For tubing outside diameter of 4 mm	10	3 g	153315	QSM-M5-4-I
		For tubing outside diameter of 6 mm		4.4 g	153317	QSM-M5-6-I
	Male thread M7	For tubing outside diameter of 4 mm	100	6 g	153319	QSM-M7-4-I
					133006	QSM-M7-4-I-100
		For tubing outside diameter of 6 mm	10	6.4 g	153321	QSM-M7-6-I


Push-in fitting QSM-...-I, R thread						
	Pneumatic connection, port 1	Pneumatic connection, port 2	Size of pack	Product weight	Part no.	Type
	Male thread R1/8	For tubing outside diameter of 4 mm	10	6.2 g	153316	QSM-1/8-4-I
		For tubing outside diameter of 6 mm		5.6 g	153318	QSM-1/8-6-I


Push-in fitting QSM-...-I, G thread with sealing ring						
	Pneumatic connection, port 1	Pneumatic connection, port 2	Size of pack	Product weight	Part no.	Type
	Male thread G1/8	For tubing outside diameter of 4 mm	10	8.9 g	186266	QSM-G1/8-4-I
		For tubing outside diameter of 6 mm		9.5 g	186267	QSM-G1/8-6-I


Push-in fitting QSM-...-I-R, metric thread with sealing ring, round releasing ring							
	Pneumatic connection, port 1	Pneumatic connection, port 2	Size of pack	Product weight	Part no.	Type	
	Male thread M3	For tubing outer diameter of 3 mm	10	2.3 g	133001	QSM-M3-3-I-R	
			100		132914	QSM-M3-3-I-R-100	
		For tubing outside diameter of 4 mm	10		2.2 g	133002	QSM-M3-4-I-R
			100			132915	QSM-M3-4-I-R-100
	Male thread M5	For tubing outer diameter of 3 mm	10	3.2 g	133003	QSM-M5-3-I-R	
			100		132916	QSM-M5-3-I-R-100	
		For tubing outside diameter of 4 mm	10	3 g	133004	QSM-M5-4-I-R	
			100		132917	QSM-M5-4-I-R-100	
		For tubing outside diameter of 6 mm	10	4.4 g	133005	QSM-M5-6-I-R	
			100		132918	QSM-M5-6-I-R-100	
	Male thread M7	For tubing outside diameter of 6 mm	10	6.4 g	133007	QSM-M7-6-I-R	
			100		132919	QSM-M7-6-I-R-100	

Ordering data


Push-in fitting QSMF, metric thread with sealing ring						
	Pneumatic connection, port 1	Pneumatic connection, port 2	Size of pack	Product weight	Part no.	Type
	Female thread M3	For tubing outer diameter of 3 mm	10	1.6 g	153308	QSMF-M3-3
		For tubing outside diameter of 4 mm		4.1 g	153310	QSMF-M3-4
	Female thread M5	For tubing outer diameter of 3 mm	10	4.3 g	153309	QSMF-M5-3
		For tubing outside diameter of 4 mm		4.5 g	153311	QSMF-M5-4


Push-in fitting QSMP, metric thread with sealing ring						
	Pneumatic connection, port 1	Pneumatic connection, port 2	Size of pack	Product weight	Part no.	Type
	Male thread M6x0.75	For tubing outside diameter of 4 mm	10	2.7 g	153320	QSMP-M6X0.75-4
	Male thread M8x0.75	For tubing outside diameter of 6 mm		3.7 g	153322	QSMP-M8X0.75-6
	Male thread M8x1.25			4.7 g	154434	QSMP-M8X1.25-6


Push-in connector QSM						
	Pneumatic connection, port 1	Pneumatic connection, port 2	Size of pack	Product weight	Part no.	Type
	For tubing outside diameter of 3 mm	For tubing outer diameter of 3 mm	10	1.5 g	153323	QSM-3
			100		130757	QSM-3-100
	For tubing outer diameter of 4 mm	For tubing outside diameter of 4 mm	10	2 g	153324	QSM-4
			100		130758	QSM-4-100
	For tubing outside diameter of	For tubing outside diameter of	10	4 g	153325	QSM-6
			100		130759	QSM-6-100


Push-in connector QSM, reducing						
	Pneumatic connection, port 1	Pneumatic connection, port 2	Size of pack	Product weight	Part no.	Type
	For tubing outside diameter of 3 mm	For tubing outside diameter of 2 mm	10	1 g	133029	QSM-3-2
	For tubing outer diameter of 4 mm	For tubing outer diameter of 3 mm		100	2.1 g	153326
			130760			QSM-4-3-100
	For tubing outside diameter of	For tubing outside diameter of	10	3 g	153327	QSM-6-4
			100		130761	QSM-6-4-100


Ordering data

Push-in bulkhead connector QSMS							
	Pneumatic connection, port 1	Pneumatic connection, port 2	Size of pack	Product weight	Part no.	Type	
	For tubing outside diameter of 3 mm	For tubing outer diameter of 3 mm	10	3 g	153375	QSMS-3	
	For tubing outer diameter of 4 mm	For tubing outside diameter of 4 mm	100	6 g	153376	QSMS-4	
					130780	QSMS-4-100	
	For tubing outside diameter of	For tubing outside diameter of	10	100	9 g	153377	QSMS-6
			130781			QSMS-6-100	


Push-in cap QSMC					
	Pneumatic connection, port 1	Size of pack	Product weight	Part no.	Type
	For tubing outside diameter of 3 mm	10	0.5 g	153381	QSMC-3


Push-in connector QSM-...H							
	Pneumatic connection, port 1	Pneumatic connection, port 2	Size of pack	Product weight	Part no.	Type	
	Push-in sleeve Ø 3 mm	For tubing outside diameter of 2 mm	10	0.6 g	133035	QSM-3H-2	
	Push-in sleeve Ø 4 mm	For tubing outer diameter of 3 mm	100	0.8 g	153328	QSM-4H-3	
					130762	QSM-4H-3-100	
	Push-in sleeve Ø 6 mm	For tubing outside diameter of	10	100	2.4 g	153329	QSM-6H-4
			130763			QSM-6H-4-100	


Blanking plug QSMC-...H					
	Pneumatic connection, port 1	Size of pack	Product weight	Part no.	Type
	Push-in sleeve Ø 2 mm	10	0.1 g	133036	QSMC-2H
	Push-in sleeve Ø 3 mm		0.2 g	153382	QSMC-3H


Push-in L-fitting QSML, metric thread with sealing ring						
	Pneumatic connection, port 1	Pneumatic connection, port 2	Size of pack	Product weight	Part no.	Type
	Male thread M3	For tubing outside diameter of 2 mm	10	1.4 g	133030	QSML-M3-2
		For tubing outer diameter of 3 mm	100		153330	QSML-M3-3
					130768	QSML-M3-3-100
	For tubing outside diameter of 4 mm	10	100	3 g	153332	QSML-M3-4
		130769		QSML-M3-4-100		
	Male thread M5	For tubing outside diameter of 2 mm	10	2.7 g	133031	QSML-M5-2
For tubing outer diameter of 3 mm			2.8 g	153331	QSML-M5-3	

Ordering data

Push-in L-fitting QSML, metric thread with sealing ring						
	Pneumatic connection, port 1	Pneumatic connection, port 2	Size of pack	Product weight	Part no.	Type
	Male thread M5	For tubing outer diameter of 3 mm	100	2.8 g	130770	QSML-M5-3-100
		For tubing outside diameter of 4 mm	10	3.4 g	153333	QSML-M5-4
			100		130771	QSML-M5-4-100
		For tubing outside diameter of 6 mm	10	4.1 g	153335	QSML-M5-6
			100		130772	QSML-M5-6-100
		Male thread M7	For tubing outside diameter of 4 mm	10	5.6 g	186352
	100			130773		QSML-M7-4-100
	For tubing outside diameter of 6 mm		10	6.2 g	186353	QSML-M7-6
	100	130774	QSML-M7-6-100			


Push-in L-fitting QSML, R thread						
	Pneumatic connection, port 1	Pneumatic connection, port 2	Size of pack	Product weight	Part no.	Type
	Male thread R1/8	For tubing outside diameter of 4 mm	10	6 g	153334	QSML-1/8-4
			100		130764	QSML-1/8-4-100
		For tubing outside diameter of 6 mm	10	7 g	153336	QSML-1/8-6
	100		130765		QSML-1/8-6-100	

Push-in L-fitting QSML, G thread with sealing ring						
	Pneumatic connection, port 1	Pneumatic connection, port 2	Size of pack	Product weight	Part no.	Type
	Male thread G1/8	For tubing outside diameter of 4 mm	10	9 g	186268	QSML-G1/8-4
			100		132897	QSML-G1/8-4-100
		For tubing outside diameter of 6 mm	10	9.7 g	186269	QSML-G1/8-6


Push-in L-fitting, long QSMLL, metric thread with sealing ring							
	Pneumatic connection, port 1	Pneumatic connection, port 2	Size of pack	Product weight	Part no.	Type	
	Male thread M3	For tubing outside diameter of 2 mm	10	2.7 g	133032	QSMLL-M3-2	
		For tubing outer diameter of 3 mm	100	2.8 g	153337	QSMLL-M3-3	
					133011	QSMLL-M3-3-100	
		For tubing outside diameter of 4 mm	10	6.8 g	153338	QSMLL-M3-4	
		Male thread M5	For tubing outside diameter of 2 mm	100	7.6 g	133033	QSMLL-M5-2
			For tubing outer diameter of 3 mm		7.7 g	130838	QSMLL-M5-3
	For tubing outside diameter of 4 mm		10	8.3 g	153339	QSMLL-M5-4	
			100		133013	QSMLL-M5-4-100	
	For tubing outside diameter of 6 mm	10	9 g	153341	QSMLL-M5-6		

Ordering data


Push-in L-fitting, long QSMLL, metric thread with sealing ring

	Pneumatic connection, port 1	Pneumatic connection, port 2	Size of pack	Product weight	Part no.	Type
	Male thread M7	For tubing outside diameter of 4 mm	10	14 g	186354	QSMLL-M7-4
			100		133014	QSMLL-M7-4-100
		For tubing outside diameter of 6 mm	10	186355	QSMLL-M7-6	


Push-in L-fitting, long, QSMLL, R thread

	Pneumatic connection, port 1	Pneumatic connection, port 2	Size of pack	Product weight	Part no.	Type
	Male thread R1/8	For tubing outside diameter of 4 mm	10	13 g	153340	QSMLL-1/8-4
		For tubing outside diameter of 6 mm		14 g	153342	QSMLL-1/8-6


Push-in L-fitting, long, QSMLL, G thread with sealing ring

	Pneumatic connection, port 1	Pneumatic connection, port 2	Size of pack	Product weight	Part no.	Type
	Male thread G1/8	For tubing outside diameter of 4 mm	10	23 g	186270	QSMLL-G1/8-4
		For tubing outside diameter of 6 mm			186271	QSMLL-G1/8-6


Push-in L-fitting QSMLV-...-I, metric thread with sealing ring


	Pneumatic connection, port 1	Pneumatic connection, port 2	Size of pack	Product weight	Part no.	Type
	Male thread M5	For tubing outer diameter of 3 mm	10	5.1 g	130830	QSMLV-M5-3-I
				5 g	130831	QSMLV-M5-4-I
	Male thread M7	For tubing outside diameter of 4 mm		7.4 g	130832	QSMLV-M7-4-I
		For tubing outside diameter of 6 mm		6.2 g	130833	QSMLV-M7-6-I


Push-in L-fitting, long QSMLLV-...-I, metric thread with sealing ring


	Pneumatic connection, port 1	Pneumatic connection, port 2	Size of pack	Product weight	Part no.	Type
	Male thread M5	For tubing outer diameter of 3 mm	10	13 g	130834	QSMLLV-M5-3-I


Ordering data

Push-in L-fitting, long QSMLLV-...-I, metric thread with sealing ring						
	Pneumatic connection, port 1	Pneumatic connection, port 2	Size of pack	Product weight	Part no.	Type
	Male thread M5	For tubing outside diameter of 4 mm	10	13 g	130835	QSMLLV-M5-4-I
	Male thread M7			14 g	130836	QSMLLV-M7-4-I
		For tubing outside diameter of 6 mm		12.4 g	130837	QSMLLV-M7-6-I

Push-in L-connector QSML						
	Pneumatic connection, port 1	Pneumatic connection, port 2	Size of pack	Product weight	Part no.	Type
	For tubing outside diameter of 3 mm	For tubing outer diameter of 3 mm	10	1.5 g	153343	QSML-3
	For tubing outer diameter of 4 mm	For tubing outside diameter of 4 mm	100	2 g	153344	QSML-4
					130766	QSML-4-100
	For tubing outside diameter of 6 mm	For tubing outside diameter of 6 mm	10	100	4 g	153345
						130767


Push-in L-connector QSML-...H						
	Pneumatic connection, port 1	Pneumatic connection, port 2	Size of pack	Product weight	Part no.	Type
	Push-in sleeve Ø 3 mm	For tubing outer diameter of 3 mm	10	1.7 g	153346	QSML-3H
	Push-in sleeve Ø 4 mm	For tubing outside diameter of 4 mm			153347	QSML-4H
	Push-in sleeve Ø 6 mm	For tubing outside diameter of 6 mm		2.4 g	153348	QSML-6H

Push-in L-connector QSML-...H, reducing						
	Pneumatic connection, port 1	Pneumatic connection, port 2	Size of pack	Product weight	Part no.	Type
	Push-in sleeve Ø 4 mm	For tubing outer diameter of 3 mm	10	1.7 g	153349	QSML-4H-3
	Push-in sleeve Ø 6 mm	For tubing outside diameter of 4 mm		1.9 g	153350	QSML-6H-4


Push-in T-fitting QSMT, metric thread with sealing ring						
	Pneumatic connection, port 1	Pneumatic connection, port 2	Size of pack	Product weight	Part no.	Type
	Male thread M3	For tubing outer diameter of 3 mm	10	2 g	153351	QSMT-M3-3
		For tubing outside diameter of 4 mm		4 g	153353	QSMT-M3-4
	Male thread M5	For tubing outer diameter of 3 mm		3.3 g	153352	QSMT-M5-3

Ordering data


Push-in T-fitting QSMT, metric thread with sealing ring

	Pneumatic connection, port 1	Pneumatic connection, port 2	Size of pack	Product weight	Part no.	Type
	Male thread M5	For tubing outside diameter of 4 mm	10	4.4 g	153354	QSMT-M5-4
			100		130784	QSMT-M5-4-100
		For tubing outside diameter of 6 mm	10	5.6 g	153356	QSMT-M5-6
			100		130785	QSMT-M5-6-100


Push-in T-fitting QSMT, R thread

	Pneumatic connection, port 1	Pneumatic connection, port 2	Size of pack	Product weight	Part no.	Type
	Male thread R1/8	For tubing outside diameter of 4 mm	10	7 g	153355	QSMT-1/8-4
		For tubing outside diameter of 6 mm		8 g	153357	QSMT-1/8-6


Push-in T-fitting QSMT, G thread with sealing ring


	Pneumatic connection, port 1	Pneumatic connection, port 2	Size of pack	Product weight	Part no.	Type
	Male thread G1/8	For tubing outside diameter of 4 mm	10	10 g	186272	QSMT-G1/8-4
		For tubing outside diameter of 6 mm		12 g	186273	QSMT-G1/8-6


Push-in T-fitting QSMTL, metric thread with sealing ring


	Pneumatic connection, port 1	Pneumatic connection, port 2	Size of pack	Product weight	Part no.	Type
	Male thread M3	For tubing outer diameter of 3 mm	10	2 g	153358	QSMTL-M3-3
		For tubing outside diameter of 4 mm		4 g	153360	QSMTL-M3-4
	Male thread M5	For tubing outer diameter of 3 mm	3.3 g	153359	QSMTL-M5-3	
		For tubing outside diameter of 4 mm	4.4 g	153361	QSMTL-M5-4	
		For tubing outside diameter of 6 mm	5.7 g	153363	QSMTL-M5-6	

Ordering data


Push-in T-fitting QSMTL, R thread						
	Pneumatic connection, port 1	Pneumatic connection, port 2	Size of pack	Product weight	Part no.	Type
	Male thread R1/8	For tubing outside diameter of 4 mm	10	7 g	153362	QSMTL-1/8-4
		For tubing outside diameter of 6 mm		8.5 g	153364	QSMTL-1/8-6


Push-in T-fitting QSMTL, G thread with sealing ring						
	Pneumatic connection, port 1	Pneumatic connection, port 2	Size of pack	Product weight	Part no.	Type
	Male thread G1/8	For tubing outside diameter of 4 mm	10	10 g	186274	QSMTL-G1/8-4
		For tubing outside diameter of 6 mm		12 g	186275	QSMTL-G1/8-6


Push-in T-connector QSMT						
	Pneumatic connection, port 1	Pneumatic connection, port 2	Size of pack	Product weight	Part no.	Type
	For tubing outer diameter of 2 mm	For tubing outside diameter of 2 mm	10	1.6 g	133034	QSMT-2
		For tubing outer diameter of 3 mm		For tubing outer diameter of 3 mm	1.7 g	153365
	For tubing outer diameter of 4 mm	For tubing outside diameter of 4 mm	100	3.3 g	153366	QSMT-4
		For tubing outside diameter of 4 mm			130782	QSMT-4-100
	For tubing outside diameter of 6 mm	For tubing outside diameter of 6 mm	10	5.3 g	153367	QSMT-6
					100	130783

Push-in T-connector QSMT, reducing						
	Pneumatic connection, port 1	Pneumatic connection, port 2	Size of pack	Product weight	Part no.	Type
	For tubing outer diameter of 4 mm	For tubing outer diameter of 3 mm, For tubing outside diameter of 4 mm	10	3.5 g	153368	QSMT-4-3
	For tubing outside diameter of 6 mm	For tubing outside diameter of 4 mm, For tubing outside diameter of 6 mm		4 g		

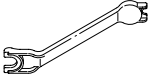
Ordering data

Push-in X connector QSMX						
	Pneumatic connection, port 1	Pneumatic connection, port 2	Size of pack	Product weight	Part no.	Type
	For tubing outside diameter of 3 mm	For tubing outer diameter of 3 mm	10	4 g	153378	QSMX-3
	For tubing outer diameter of 4 mm	For tubing outside diameter of 4 mm			153379	QSMX-4
	For tubing outside diameter of 6 mm	For tubing outside diameter of 6 mm		5 g	153380	QSMX-6

Push-in Y-connector QSMY						
	Pneumatic connection, port 1	Pneumatic connection, port 2	Size of pack	Product weight	Part no.	Type
	For tubing outer diameter of 2 mm	For tubing outside diameter of 2 mm	10	1.7 g	133037	QSMY-2
	For tubing outside diameter of 3 mm	For tubing outer diameter of 3 mm		3.7 g	153370	QSMY-3
	For tubing outer diameter of 4 mm	For tubing outside diameter of 4 mm		3.5 g	153371	QSMY-4
	For tubing outside diameter of 6 mm	For tubing outside diameter of 6 mm	100	5.5 g	130786	QSMY-4-100
			10		153372	QSMY-6
			100		130787	QSMY-6-100

Push-in Y-connector QSMY, reducing						
	Pneumatic connection, port 1	Pneumatic connection, port 2	Size of pack	Product weight	Part no.	Type
	For tubing outer diameter of 4 mm	For tubing outer diameter of 3 mm	10	3.6 g	153373	QSMY-4-3
	For tubing outside diameter of 6 mm	For tubing outside diameter of 4 mm		5.3 g	153374	QSMY-6-4

Accessories

Release tool QS0					
	Short type code	Size	Product weight	Part no.	Type
	QS0	For tubing O.D. 4 mm For tubing O.D. 6 mm For tubing O.D. 8 mm For tubing O.D. 10 mm	13 g	158419	QS0