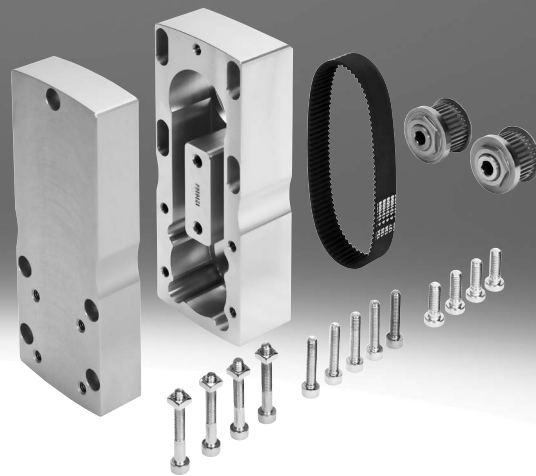


## Parallel kits EAMM-U

**FESTO**



## Key features

### At a glance

The following kits are used for coupling motors and axes. The couplings transmit the drive energy of the motor to the axes via a belt. They can be connected to Festo motors or third-party motors.

The selection provides you with an overview of possible combinations. The planning tool "Electric Motion Sizing" helps you to find the right combination.

### Electric Motion Sizing

Configuring electromechanical drives



Create the optimum drive package quickly and reliably. Electric Motion Sizing calculates suitable combinations of electric axis, electric motor and servo drive using just a few application details. It provides you with all the relevant data including the bill of materials and documentation for the selected combination. This avoids design errors and results in significantly improved energy efficiency for the system.

A smooth connection to the Festo Automation Suite also makes commissioning easier for you.

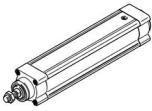
To find out more, go to [www.festo.com/ems](http://www.festo.com/ems)

### Quickly find the right axis/motor combination with third-party motors

Select the required axis and note the code in the "Motor interface" column

Look for the interface code in the table of interfaces for third-party motors (→ from page 64) and check if the required third-party motor is listed

#### Zulässige Achs-/Motor-Kombinationen mit Elektrozyliner ESBF



Schnittstellentabelle für Fremdmotoren  
 → ab Seite 67  
 Technische Daten für Axialbausätze  
 → ab Seite 72

Motor/Getriebe <sup>1)</sup>	Schnittstelle	Axialbausatz	
Typ	Motor	Teile-Nr.	Typ
<b>ESBF-32</b>			
mit Servomotor			
EMME-AS-40-...	40P	1976465	EAMM-A-D32-40P
		2207372	EAMM-A-D32-40P-S1 <sup>2)</sup>
EMMS-AS-40-..., Fremdmotor	40A	543147	EAMM-A-D32-40A
		1322178	EAMM-A-D32-40A-S1 <sup>2)</sup>

#### Note

Depending on the combination of motor and drive, it may not be possible to reach the maximum feed force of the drive in certain circumstances. When using parallel kits, the no-load driving torque of the particular kit must be taken into consideration.

Fremdmotoren und Fremdgetriebe		
Schnittstelle	Hersteller	Typ
<b>Fremdmotoren</b>		
50AA	SEW Eurodrive	CMP40; CMP40S/IM
	Bosch Rexroth	MKD 025; MSK030B; MSK030C; MSK03x
	Danaher Motion	AKM21 AC; AKM21 AN; AKM22 AC; AKM22 AN; AKM23 AC; AKM23 AN; AKM24 AC; AKM24 AN; AKM2x-AC/AN
	Beckhoff	AM3021; AM3022; AM3023; AM3024
	B+R Automation	8ISA2
	Mitsubishi	AKM21; AKM21x-Ax; AKM22; AKM22x-Ax; AKM23; AKM23x-Ax; AKM24; AKM24x-Ax
60AA	Fastech	EzM2-60S/M/L

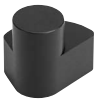
## Key features

Type	For axis	Can be mounted	Transmission ratio	Description	→ Page
EAMM-U-...-D	<ul style="list-style-type: none"> <li>• Electric cylinder ESBF</li> <li>• Mini slide EGSL</li> </ul>	In all directions	$i = 1$	Optionally with degree of protection IP65	4
EAMM-U-...-S	<ul style="list-style-type: none"> <li>• Ball screw axis ELGA-BS</li> <li>• Ball screw axis EGC-BS</li> <li>• Ball screw axis EGC-HD-BS</li> </ul>	In all directions	$i = 1$	A counter bearing EAMG and a clamping sleeve EAMH-...-P with integrated trunnion are included in the scope of delivery of the parallel kit to support for the axis shaft.	4
EAMM-U-...-C	<ul style="list-style-type: none"> <li>• Electric cylinders EPRF</li> </ul>	In all directions	$i = 1$	Stainless steel kits with CRC 4 and degree of protection IP69k for the food industry	<?>
EAMM-U-...-V/T	<ul style="list-style-type: none"> <li>• Electric cylinder EPCC</li> <li>• Mini slide EGSC-BS</li> <li>• Ball screw axis ELGD-BS</li> <li>• Ball screw axis ELGD-BS-WD</li> <li>• Ball screw axis ELGC-BS</li> <li>• Ball screw axis ELGT-BS</li> </ul>	In all directions	$i = 1$	–	51

## Accessories for parallel kit EAMM-U-...-D/S

Clamping component EADT

→ page 42



For adjusting the toothed belt pretension with EAMM-U-110 and EAMM-U-145. The motor is pushed away from the axis mechanism by turning the clamping component secured in a hole in the housing (the motor can be moved in a slot for this purpose). This enables high toothed belt pretension forces to be generated with low torques at the clamping component.

Counter bearing EAMG

→ page 43



A counter bearing EAMG reduces the load on the axis or motor bearings to improve the service life under high loads. For every counter bearing, an additional clamping sleeve EAMH-...-P is required.

Clamping sleeve EAMH-...-P

→ page 44



To retrofit the counter bearing, the clamping sleeve without trunnion included in the parallel kit as standard must be replaced by the clamping sleeve EAMH-...-P with integrated trunnion.

Clamping sleeve EAMH-...

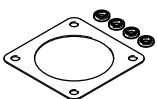
→ page 45



Clamping sleeves for adapting third-party motors with deviating shaft diameters to the parallel kits.

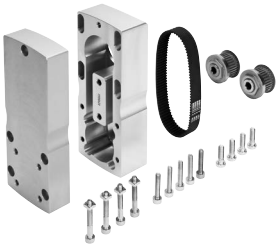
Seal set EADS-F-...

→ page 46



Spare part for sealed parallel kit EAMM-U-...-S1, between motor and kit

## Overview of interfaces



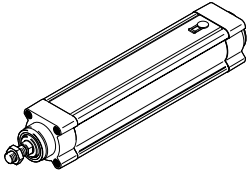
Axis mechanism interface	
D19	EGSL-35
D32	ESBF-32, EGSL-45
D40	ESBF-40, EGSL-55
D50	ESBF-50
D60	EGSL-75, ESBF-63
D80	ESBF-80
D100	ESBF-100
S38	ELGA-BS-70, EGC-70-BS, EGC-HD-125-BS
S48	ELGA-BS-80, EGC-80-BS, EGC-HD-160-BS
S60	ELGD-BS-120
S62	ELGA-BS-120, EGC-120-BS, EGC-HD-220-BS
S95	ELGA-BS-150, EGC-185-BS

60H	Gear unit EMGA-60-P-...-EAS, EMGC-60-P
80G	Gear unit EMGA-80
120G	Gear unit EMGA-120
50GA	Third-party gear unit
68GA	Third-party gear unit
70GA	Third-party gear unit
90GA	Third-party gear unit
120GA	Third-party gear unit
126AA	Third-party gear unit

Motor interface	
38AA	Third-party motor
40A	Third-party motor
40P	Servo motor EMMT-AS-40, EMMB-AS-40
40R	Third-party motor
40RA	Third-party motor
42A	Stepper motor EMMT-ST-42, EMMB-ST-42
57A	Stepper motor EMMT-ST-57, EMMB-ST-57
55A	Third-party motor
57AA	Third-party motor
57AC	Third-party motor
58AA	Third-party motor
60AA	Third-party motor
60P	Servo motor EMMT-AS-60, EMMB-AS-60, third-party motor
60PA	Third-party motor
60R	Third-party motor
60RA	Third-party motor
60RB	Third-party motor
70A	Third-party motor
70AA	Third-party motor
70AB	Third-party motor
80P	Servo motor EMMT-AS-80, EMMB-AS-80
80PB	Third-party motor
80R	Third-party motor
82AA	Third-party motor
84AA	Third-party motor
87A	Stepper motor EMMT-ST-87, EMMB-ST-87, third-party motor
88A	Third-party motor
100A	Servo motor EMMT-AS-100
150A	Servo motor EMMT-AS-150
126AA	Third-party motor
40G	Gear unit EMGA-40
60G	Gear unit EMGA-60-P-...-SAS/SST

## Product range overview

## Permissible axis/motor combinations with electric cylinder ESBF



- The kit can be mounted in all directions
- Optionally with degree of protection IP65
- Table of interfaces for third-party motors → from page 64

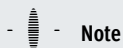
Motor/gear unit <sup>2)</sup> Type	Motor interface	Parallel kit	
		Part no.	Type
<b>ESBF-32</b>			
<b>With servo motor</b>			
Third-party motor	38AA	8058924	EAMM-U-50-D32-38AA-78
EMMT-AS-40-..., EMMB-AS-40-...	40P	8164734	EAMM-U-50-D32-40P-48 <sup>4)</sup>
EMMT-AS-40-..., EMMB-AS-40-...	40P	2153283	EAMM-U-50-D32-40P-78
		2154009	EAMM-U-50-D32-40P-78-S1 <sup>1)</sup>
Third-party motor	40A	1201591	EAMM-U-50-D32-40A-78
		1202302	EAMM-U-50-D32-40A-78-S1 <sup>1)</sup>
Third-party motor	40R	1201662	EAMM-U-50-D32-40R-78
Third-party motor	40RA	8058925	EAMM-U-50-D32-40RA-78
Third-party motor	55A	1210126	EAMM-U-60-D32-55A-91
		1210450	EAMM-U-60-D32-55A-91-S1 <sup>1)</sup>
Third-party motor	58AA	8058930	EAMM-U-60-D32-58AA-91
EMMT-AS-60-..., EMMB-AS-60, third-party motor	60P, 60PA	8125069	EAMM-U-60-D32-60P-91
Third-party motor	60R	1210434	EAMM-U-60-D32-60R-91
		1210455	EAMM-U-60-D32-60R-91-S1 <sup>1)</sup>
Third-party motor	60RA	8123497	EAMM-U-60-D32-60RA-91
Third-party motor	60RB	8058932	EAMM-U-60-D32-60RB-91
EMMT-AS-60-..., EMMB-AS-60	60P, 60PA	2619586	EAMM-U-70-D32-60P-96
		2619688	EAMM-U-70-D32-60P-96-S1 <sup>1)</sup>
Third-party motor	70A	2755565	EAMM-U-70-D32-70A-96
		2781711	EAMM-U-70-D32-70A-96-S1 <sup>1)</sup>
Third-party motor	70AA	8123499	EAMM-U-70-D32-70AA-96
<b>With stepper motor</b>			
EMMT-ST-42-..., EMMB-ST-42-...	42A	1201607	EAMM-U-50-D32-42A-78
		1202312	EAMM-U-50-D32-42A-78-S1 <sup>1)</sup>
EMMT-ST-57-..., EMMB-ST-57-...	57A	1210419	EAMM-U-60-D32-57A-91
		1210453	EAMM-U-60-D32-57A-91-S1 <sup>1)</sup>
Third-party motor	57AC	8058929	EAMM-U-60-D32-57AC-91
Third-party motor	60AA	8123498	EAMM-U-60-D32-60AA-91

1) With degree of protection IP65

2) The input torque must not exceed the max. permissible transferable torque of the parallel kit.

3) Gear unit output shaft diameter: EMGA-60-P-...SAS/-SST: 11 mm; EMGA-60-P-...EAS, EMGC-60-P: 14 mm

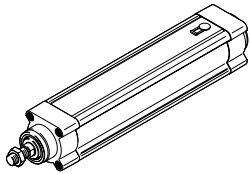
4) The counter bearing EAMG cannot be used in combination with this parallel kit.

**Note**

The seal for EAMM-U-...-S1 reduces the heat dissipation between the motor and the flange. Note the derating of the motor.

## Product range overview

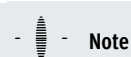
### Permissible axis/motor combinations with electric cylinder ESBF



- The kit can be mounted in all directions
- Optionally with degree of protection IP65
- Table of interfaces for third-party motors → from page 64

Motor/gear unit <sup>2)</sup>	Motor interface	Parallel kit	
		Part no.	Type
<b>ESBF-32</b>			
<b>With gear unit</b>			
EMGA-40-P-... EMGC-40-P-...	40G	1577358	EAMM-U-60-D32-40G-91
		1577346	EAMM-U-60-D32-40G-91-S1 <sup>1)</sup>
EMGA-60-P-...-EAS, EMGC-60-P-...3), third-party gear unit	60H	2778393	EAMM-U-70-D32-60H-96
		2781450	EAMM-U-70-D32-60H-96-S1 <sup>1)</sup>
EMGA-60-P-...-SAS/SST <sup>3)</sup>	60G	2748181	EAMM-U-70-D32-60G-96
		2778302	EAMM-U-70-D32-60G-96-S1 <sup>1)</sup>
Third-party gear unit	68GA	8058951	EAMM-U-70-D32-68GA-96
<b>ESBF-40</b>			
<b>With servo motor</b>			
Third-party motor	40R	8058934	EAMM-U-60-D40-40R-91
Third-party motor	55A	1210438	EAMM-U-60-D40-55A-91
		1210458	EAMM-U-60-D40-55A-91-S1 <sup>1)</sup>
Third-party motor	58AA	8058940	EAMM-U-60-D40-58AA-91
EMMT-AS-60-..., EMMB-AS-60	60P	2617488	EAMM-U-70-D40-60P-96
		2546123	EAMM-U-70-D40-60P-96-S1 <sup>1)</sup>
Third-party motor	60PA	8058972	EAMM-U-86-D40-60PA-102
EMMT-AS-60-..., EMMB-AS-60	60P	8164735	EAMM-U-60-D40-60P-61 <sup>4)</sup>
Third-party motor	60R	1210446	EAMM-U-60-D40-60R-91
Third-party motor		1210466	EAMM-U-60-D40-60R-91-S1 <sup>1)</sup>
Third-party motor	60RA	8058952	EAMM-U-70-D40-60RA-96
Third-party motor	70A	2786204	EAMM-U-70-D40-70A-96
		2786316	EAMM-U-70-D40-70A-96-S1 <sup>1)</sup>
Third-party motor	70A	1212826	EAMM-U-86-D40-70A-102
		1212854	EAMM-U-86-D40-70A-102-S1 <sup>1)</sup>
Third-party motor	70AA, 70AB	8058973	EAMM-U-86-D40-70AA-102
EMMT-AS-80-..., EMMB-AS-80	80P	2802441	EAMM-U-86-D40-80P-102
		2802656	EAMM-U-86-D40-80P-102-S1 <sup>1)</sup>
Third-party motor	80PB	8123501	EAMM-U-86-D40-80PB-102
Third-party motor	82AA	8058975	EAMM-U-86-D40-82AA-102
Third-party motor	84AA	8058976	EAMM-U-86-D40-84AA-102
Third-party motor	88A	1362229	EAMM-U-86-D40-88A-102
<b>With stepper motor</b>			
EMMT-ST-57-..., EMMB-ST-57-...	57A	1210442	EAMM-U-60-D40-57A-91
		1210462	EAMM-U-60-D40-57A-91-S1 <sup>1)</sup>
Third-party motor	57AC	8058939	EAMM-U-60-D40-57AC-91
EMMT-ST-87-..., EMMB-ST-87-..., third-party motor	87A	1215802	EAMM-U-86-D40-87A-102
		1215814	EAMM-U-86-D40-87A-102-S1 <sup>1)</sup>

- 1) With degree of protection IP65
- 2) The input torque must not exceed the max. permissible transferable torque of the parallel kit.
- 3) Gear unit output shaft diameter: EMGA-60-P-...-SAS/SST: 11 mm; EMGA-60-P-...-EAS, EMGC-60-P-...: 14 mm
- 4) The counter bearing EAMG cannot be used in combination with this parallel kit.

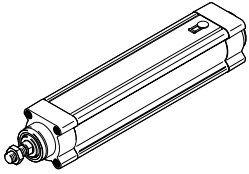


#### Note

The seal for EAMM-U-...-S1 reduces the heat dissipation between the motor and the flange. Note the derating of the motor.

## Product range overview

## Permissible axis/motor combinations with electric cylinder ESBF



- The kit can be mounted in all directions
- Optionally with degree of protection IP65
- Table of interfaces for third-party motors → from page 64

Motor/gear unit <sup>2)</sup> Type	Motor interface	Parallel kit	
		Part no.	Type
<b>ESBF-40</b>			
<b>With gear unit</b>			
EMGA-40-P-... EMGC-40-P-...	40G	1577165 1435968	EAMM-U-60-D40-40G-91 EAMM-U-60-D40-40G-91-S1 <sup>1)</sup>
Third-party gear unit	50GA	8058935	EAMM-U-60-D40-50GA-91
EMGA-60-P-...-EAS, EMGC-60-P-...3), third-party gear unit	60H	2786101	EAMM-U-70-D40-60H-96
		2786137	EAMM-U-70-D40-60H-96-S1 <sup>1)</sup>
EMGA-60-P-...-SAS/SST <sup>3)</sup>	60G	2785471	EAMM-U-70-D40-60G-96
		2785542	EAMM-U-70-D40-60G-96-S1 <sup>1)</sup>
EMGA-60-P-...-EAS, EMGC-60-P-...3), third-party gear unit	60H	1586496	EAMM-U-86-D40-60H-102
		1586372	EAMM-U-86-D40-60H-102-S1 <sup>1)</sup>
EMGA-60-P-...-SAS/SST <sup>3)</sup>	60G	1586445	EAMM-U-86-D40-60G-102
		1586429	EAMM-U-86-D40-60G-102-S1 <sup>1)</sup>
Third-party gear unit	68GA	8058954	EAMM-U-70-D40-68GA-96
<b>ESBF-50</b>			
<b>With servo motor</b>			
Third-party motor	60P	8123171	EAMM-U-70-D50-60P-96
Third-party motor	60RA	8058963	EAMM-U-70-D50-60RA-96
Third-party motor	70A	2786899	EAMM-U-70-D50-70A-96
		2756078	EAMM-U-70-D50-70A-96-S1 <sup>1)</sup>
EMMT-AS-80-..., EMMB-AS-80	80P	2803053	EAMM-U-86-D50-80P-102
		2803073	EAMM-U-86-D50-80P-102-S1 <sup>1)</sup>
Third-party motor	80PB	8107089	EAMM-U-86-D50-80PB-102
Third-party motor	84AA	8107241	EAMM-U-110-D50-84AA-120
EMMT-AS-100-...	100A	2799424	EAMM-U-110-D50-100A-120
		2799488	EAMM-U-110-D50-100A-120-S1 <sup>1)</sup>

1) With degree of protection IP65

2) The input torque must not exceed the max. permissible transferable torque of the parallel kit.

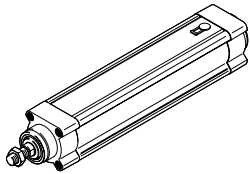
3) Gear unit output shaft diameter: EMGA-60-P-...-SAS/SST: 11 mm; EMGA-60-P-...-EAS, EMGC-60-P: 14 mm

**Note**

The seal for EAMM-U-...-S1 reduces the heat dissipation between the motor and the flange. Note the derating of the motor.

## Product range overview

### Permissible axis/motor combinations with electric cylinder ESBF



- The kit can be mounted in all directions
- Optionally with degree of protection IP65
- Table of interfaces for third-party motors → from page 64

Motor/gear unit <sup>2)</sup> Type	Motor interface	Parallel kit	
		Part no.	Type
<b>ESBF-50</b>			
<b>With stepper motor</b>			
EMMT-ST-87-..., EMMB-ST-87-..., third-party motor	87A	2802708	EAMM-U-86-D50-87A-102
		2802742	EAMM-U-86-D50-87A-102-S1 <sup>1)</sup>
<b>With gear unit</b>			
EMGA-60-P-...-EAS, EMGC-60-P-...3), third-party gear unit	60H	2803326	EAMM-U-86-D50-60H-102
		2803325	EAMM-U-86-D50-60H-102-S1 <sup>1)</sup>
EMGA-60-P-...-SAS/SST <sup>3)</sup>	60G	2803125	EAMM-U-86-D50-60G-102
		2803197	EAMM-U-86-D50-60G-102-S1 <sup>1)</sup>
EMGA-60-P-...-EAS, EMGC-60-P-...3), third-party gear unit	60H	2798760	EAMM-U-110-D50-60H-120
		2799150	EAMM-U-110-D50-60H-120-S1 <sup>1)</sup>
EMGA-60-P-...-SAS/SST <sup>3)</sup>	60G	2797368	EAMM-U-110-D50-60G-120
		2798665	EAMM-U-110-D50-60G-120-S1 <sup>1)</sup>
Third-party gear unit	68GA	8058965	EAMM-U-70-D50-68GA-96
Third-party gear unit	70GA	8107044	EAMM-U-86-D50-70GA-102
EMGA-80-P-...	80G	2799196	EAMM-U-110-D50-80G-120
		2799281	EAMM-U-110-D50-80G-120-S1 <sup>1)</sup>
Third-party gear unit	120GA	8059040	EAMM-U-110-D50-120GA-120
<b>ESBF-63</b>			
<b>With servo motor</b>			
Third-party motor	55A	8058979	EAMM-U-86-D60-55A-102
Third-party motor	58AA	8058981	EAMM-U-86-D60-58AA-102
EMMT-AS-60-..., EMMB-AS-60	60P	8058982	EAMM-U-86-D60-60P-102
Third-party motor	60PA	8058983	EAMM-U-86-D60-60PA-102
Third-party motor	60RB	8058986	EAMM-U-86-D60-60RB-102
Third-party motor	70A	1212477	EAMM-U-86-D60-70A-102
		1212835	EAMM-U-86-D60-70A-102-S1 <sup>1)</sup>
Third-party motor	70AA, 70AB	8058988	EAMM-U-86-D60-70AA-102
EMMT-AS-80-..., EMMB-AS-80	80P	2155875	EAMM-U-86-D60-80P-102
		2156527	EAMM-U-86-D60-80P-102-S1 <sup>1)</sup>
EMMT-AS-80-..., EMMB-AS-80, third-party motor	80P, 80PA, 80RA	8234872	EAMM-U-86-D60-80P-102-G2
		8234873	EAMM-U-86-D60-80P-102-S1-G2 <sup>1)</sup>

1) With degree of protection IP65

2) The input torque must not exceed the max. permissible transferable torque of the parallel kit.

3) Gear unit output shaft diameter: EMGA-60-P-...-SAS/SST: 11 mm; EMGA-60-P-...-EAS, EMGC-60-P-...: 14 mm

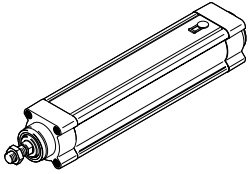
#### Note

Clamping component EADT for adjusting the toothed belt pretension for EAMM-U-110 and EAMM-U-145 → page 42

The seal for EAMM-U-...-S1 reduces the heat dissipation between the motor and the flange. Note the derating of the motor.

## Product range overview

## Permissible axis/motor combinations with electric cylinder ESBF



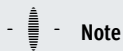
- The kit can be mounted in all directions
- Optionally with degree of protection IP65
- Table of interfaces for third-party motors → from page 64

Motor/gear unit <sup>2)</sup> Type	Motor interface	Parallel kit	
		Part no.	Type
<b>ESBF-63</b>			
<b>With servo motor</b>			
Third-party motor	80PB	8107722	EAMM-U-86-D60-80PB-102
Third-party motor	82AA	8058992	EAMM-U-86-D60-82AA-102
Third-party motor	84AA	8058993	EAMM-U-86-D60-84AA-102
Third-party motor	84AA	8059043	EAMM-U-110-D60-84AA-120
Third-party motor	88A	1441042	EAMM-U-86-D60-88A-102
Third-party motor	88A	8059044	EAMM-U-110-D60-88A-120
Third-party motor	90R	1202981	EAMM-U-110-D60-90R-120
		1203181	EAMM-U-110-D60-90R-120-S1 <sup>1)</sup>
EMMT-AS-100-...	100A	1202436	EAMM-U-110-D60-100A-120 <sup>1)</sup>
		1203112	EAMM-U-110-D60-100A-120-S1 <sup>1)</sup>
<b>With stepper motor</b>			
Third-party motor	57AA	8058980	EAMM-U-86-D60-57AA-102
EMMT-ST-87-..., EMMB-ST-87-..., third-party motor	87A	1215784	EAMM-U-86-D60-87A-102
		1215810	EAMM-U-86-D60-87A-102-S1 <sup>1)</sup>
<b>With gear unit</b>			
EMGA-60-P-...-SAS/SST <sup>3)</sup>	60G	1586347	EAMM-U-86-D60-60G-102
		1437163	EAMM-U-86-D60-60G-102-S1 <sup>1)</sup>
EMGA-60-P-...-EAS, EMGC-60-P-...3), third-party gear unit	60H	1586276	EAMM-U-86-D60-60H-102
		1530837	EAMM-U-86-D60-60H-102-S1 <sup>1)</sup>
EMGA-60-P-...-SAS/SST <sup>3)</sup>	60G	1543240	EAMM-U-110-D60-60G-120
		1436183	EAMM-U-110-D60-60G-120-S1 <sup>1)</sup>
EMGA-60-P-...-EAS, EMGC-60-P-...3), third-party gear unit	60H	1542264	EAMM-U-110-D60-60H-120
		1530621	EAMM-U-110-D60-60H-120-S1 <sup>1)</sup>
Third-party gear unit	70GA	8058990	EAMM-U-86-D60-70GA-102
EMGA-80-P-...	80G	1532949	EAMM-U-110-D60-80G-120
		1530875	EAMM-U-110-D60-80G-120-S1 <sup>1)</sup>
Third-party gear unit	90GA	8107723	EAMM-U-110-D60-90GA-120
Third-party gear unit	120GA	8059046	EAMM-U-110-D60-120GA-120

1) With degree of protection IP65

2) The input torque must not exceed the max. permissible transferable torque of the parallel kit.

3) Gear unit output shaft diameter: EMGA-60-P-...-SAS/SST: 11 mm; EMGA-60-P-...-EAS, EMGC-60-P: 14 mm

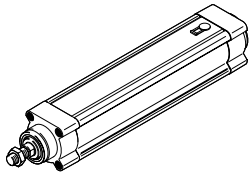
**Note**

Clamping component EADT for adjusting the toothed belt pretension for EAMM-U-110 and EAMM-U-145 → page 42

The seal for EAMM-U-...-S1 reduces the heat dissipation between the motor and the flange. Note the derating of the motor.

## Product range overview

### Permissible axis/motor combinations with electric cylinder ESBF



- The kit can be mounted in all directions
- Optionally with degree of protection IP65
- Table of interfaces for third-party motors → from page 64

Motor/gear unit <sup>2)</sup> Type	Motor interface	Parallel kit	
		Part no.	Type
<b>ESBF-80</b>			
<b>With servo motor</b>			
Third-party motor	84AA	8059048	EAMM-U-110-D80-84AA-120
EMMT-AS-100-...	100A	1465438	EAMM-U-110-D80-100A-120
		1433650	EAMM-U-110-D80-100A-120-S1 <sup>1)</sup>
Third-party motor	126AA	8059069	EAMM-U-145-D80-126AA-188
EMMT-AS-150-...	140A, 150A	8157285	EAMM-U-145-D80-150A-188
		8157286	EAMM-U-145-D80-150A-188-S1 <sup>1)</sup>
<b>With gear unit</b>			
EMGA-80-P-...	80G	1589614	EAMM-U-110-D80-80G-120
		1589706	EAMM-U-110-D80-80G-120-S1 <sup>1)</sup>
Third-party gear unit	90GA	8105897	EAMM-U-145-D80-90GA-188
Third-party gear unit	120GA	8059050	EAMM-U-110-D80-120GA-120
<b>ESBF-100</b>			
<b>With servo motor</b>			
EMMT-AS-150-...	140A, 150A	8157283	EAMM-U-145-D100-150A-188
		8157284	EAMM-U-145-D100-150A-188-S1 <sup>1)</sup>
<b>With gear unit</b>			
EMGA-120-P-...	120G	2803620	EAMM-U-145-D100-120G-188
		2803622	EAMM-U-145-D100-120G-188-S1 <sup>1)</sup>

1) With degree of protection IP65

2) The input torque must not exceed the max. permissible transferable torque of the parallel kit.

3) Gear unit output shaft diameter: EMGA-60-P-...SAS/SST: 11 mm; EMGA-60-P-...EAS, EMGC-60-P: 14 mm

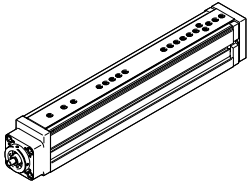
#### Note

Clamping component EADT for adjusting the toothed belt pretension for EAMM-U-110 and EAMM-U-145 → page 42

The seal for EAMM-U-...-S1 reduces the heat dissipation between the motor and the flange. Note the derating of the motor.

## Product range overview

## Permissible axis/motor combinations with mini slide EGSL



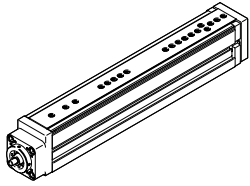
- The kit can be mounted in all directions
- Table of interfaces for third-party motors → from page 64

Motor/gear unit <sup>1)</sup> Type	Motor interface	Parallel kit	
		Part no.	Type
<b>EGSL-35</b>			
<b>With servo motor</b>			
Third-party motor	38AA	8107032	EAMM-U-50-D19-38AA-78
Third-party motor	40R	8107034	EAMM-U-50-D19-40R-78
<b>EGSL-45</b>			
<b>With servo motor</b>			
Third-party motor	38AA	8058924	EAMM-U-50-D32-38AA-78
Third-party motor	40A	1201591	EAMM-U-50-D32-40A-78
EMMT-AS-40-..., EMMB-AS-40-...	40P	8164734	EAMM-U-50-D32-40P-48 <sup>3)</sup>
EMMT-AS-40-..., EMMB-AS-40-...	40P	2153283	EAMM-U-50-D32-40P-78
Third-party motor	40RA	8058925	EAMM-U-50-D32-40RA-78
Third-party motor	55A	1210126	EAMM-U-60-D32-55A-91
Third-party motor	58AA	8058930	EAMM-U-60-D32-58AA-91
EMMT-AS-60-..., EMMB-AS-60, third-party motor	60P, 60PA	8125069	EAMM-U-60-D32-60P-91
EMMT-AS-60-..., EMMB-AS-60	60P	2619586	EAMM-U-70-D32-60P-96
Third-party motor	60RA	8123497	EAMM-U-60-D32-60RA-91
Third-party motor	60RB	8058932	EAMM-U-60-D32-60RB-91
Third-party motor	70A	2755565	EAMM-U-70-D32-70A-96
Third-party motor	70AA	8123499	EAMM-U-70-D32-70AA-96
<b>With stepper motor</b>			
EMMT-ST-42-..., EMMB-ST-42-...	42A	1201607	EAMM-U-50-D32-42A-78
EMMT-ST-57-..., EMMB-ST-57-...	57A	1210419	EAMM-U-60-D32-57A-91
Third-party motor	57AC	8058929	EAMM-U-60-D32-57AC-91
Third-party motor	60AA	8123498	EAMM-U-60-D32-60AA-91
<b>With gear unit</b>			
EMGA-40-P-...	40G	1577358	EAMM-U-60-D32-40G-91
EMGC-40-P-...			
EMGA-60-P-...-SAS/SST <sup>2)</sup>	60G	2748181	EAMM-U-70-D32-60G-96
EMGA-60-P-...-EAS, EMGC-60-P-...2), third-party gear unit	60H	2778393	EAMM-U-70-D32-60H-96
Third-party gear unit	68GA	8058951	EAMM-U-70-D32-68GA-96

- 1) The input torque must not exceed the max. permissible transferable torque of the parallel kit.
- 2) Gear unit output shaft diameter: EMGA-60-P-...-SAS/SST: 11 mm; EMGA-60-P-...-EAS, EMGC-60-P: 14 mm
- 3) The counter bearing EAMG cannot be used in combination with this parallel kit.

## Product range overview

### Permissible axis/motor combinations with mini slide EGSL



- The kit can be mounted in all directions
- Table of interfaces for third-party motors → from page 64

Motor/gear unit <sup>1)</sup> Type	Motor interface	Parallel kit	
		Part no.	Type
<b>EGSL-55</b>			
<b>With servo motor</b>			
Third-party motor	55A	1210438	EAMM-U-60-D40-55A-91
EMMT-AS-60-..., EMMB-AS-60	60P	★ 2617488	EAMM-U-70-D40-60P-96
Third-party motor	70A	2786204	EAMM-U-70-D40-70A-96
Third-party motor	70A	1212826	EAMM-U-86-D40-70A-102
EMMT-AS-80-..., EMMB-AS-80	80P	2802441	EAMM-U-86-D40-80P-102
Third-party motor	40R	8058934	EAMM-U-60-D40-40R-91
Third-party motor	58AA	8058940	EAMM-U-60-D40-58AA-91
EMMT-AS-60-..., EMMB-AS-60	60P	8164735	EAMM-U-60-D40-60P-61 <sup>3)</sup>
Third-party motor	60R	1210446	EAMM-U-60-D40-60R-91
Third-party motor	60RA	8058952	EAMM-U-70-D40-60RA-96
Third-party motor	60PA	8058972	EAMM-U-86-D40-60PA-102
Third-party motor	70AA, 70AB	8058973	EAMM-U-86-D40-70AA-102
Third-party motor	80PB	8123501	EAMM-U-86-D40-80PB-102
Third-party motor	82AA	8058975	EAMM-U-86-D40-82AA-102
Third-party motor	84AA	8058976	EAMM-U-86-D40-84AA-102
Third-party motor	88A	1362229	EAMM-U-86-D40-88A-102
<b>With stepper motor</b>			
EMMT-ST-57-..., EMMB-ST-57-...	57A	1210442	EAMM-U-60-D40-57A-91
EMMT-ST-87-..., EMMB-ST-87-..., third-party motor	87A	1215802	EAMM-U-86-D40-87A-102
Third-party motor	57AC	8058939	EAMM-U-60-D40-57AC-91
<b>With gear unit</b>			
EMGA-40-P-...	40G	1577165	EAMM-U-60-D40-40G-91
EMGC-40-P-...			
EMGA-60-P-...-SAS/SST <sup>2)</sup>	60G	2785471	EAMM-U-70-D40-60G-96
EMGA-60-P-...-EAS, EMGC-60-P-...2), third-party gear unit	60H	2786101	EAMM-U-70-D40-60H-96
EMGA-60-P-...-SAS/SST <sup>2)</sup>	60G	1586445	EAMM-U-86-D40-60G-102
EMGA-60-P-...-EAS, EMGC-60-P-...2), third-party gear unit	60H	1586496	EAMM-U-86-D40-60H-102
Third-party gear unit	50GA	8058935	EAMM-U-60-D40-50GA-91
Third-party gear unit	68GA	8058954	EAMM-U-70-D40-68GA-96

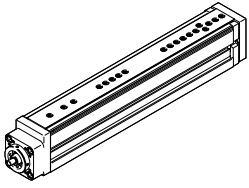
1) The input torque must not exceed the max. permissible transferable torque of the parallel kit.

2) Gear unit output shaft diameter: EMGA-60-P-...-SAS/SST: 11 mm; EMGA-60-P-...-EAS, EMGC-60-P: 14 mm

3) The counter bearing EAMG cannot be used in combination with this parallel kit.

## Product range overview

## Permissible axis/motor combinations with mini slide EGSL



- The kit can be mounted in all directions
- Table of interfaces for third-party motors → from page 64

Motor/gear unit <sup>1)</sup> Type	Motor interface	Parallel kit	
		Part no.	Type
<b>EGSL-75</b>			
<b>With servo motor</b>			
Third-party motor	55A	8058979	EAMM-U-86-D60-55A-102
EMMT-AS-60-..., EMMB-AS-60	60P	8058982	EAMM-U-86-D60-60P-102
Third-party motor	70A	1212477	EAMM-U-86-D60-70A-102
EMMT-AS-80-..., EMMB-AS-80	80P	2155875	EAMM-U-86-D60-80P-102
	80P, 80PA, 80RA	8234872	EAMM-U-86-D60-80P-102-G2
EMMT-AS-100-...	100A	1202436	EAMM-U-110-D60-100A-120
Third-party motor	58AA	8058981	EAMM-U-86-D60-58AA-102
Third-party motor	60PA	8058983	EAMM-U-86-D60-60PA-102
Third-party motor	60RB	8058986	EAMM-U-86-D60-60RB-102
Third-party motor	70AA, 70AB	8058988	EAMM-U-86-D60-70AA-102
Third-party motor	80PB	8107722	EAMM-U-86-D60-80PB-102
Third-party motor	82AA	8058992	EAMM-U-86-D60-82AA-102
Third-party motor	84AA	8058993	EAMM-U-86-D60-84AA-102
Third-party motor	88A	1441042	EAMM-U-86-D60-88A-102
Third-party motor	84AA	8059043	EAMM-U-110-D60-84AA-120
Third-party motor	88A	8059044	EAMM-U-110-D60-88A-120
<b>With stepper motor</b>			
Third-party motor	57AA	8058980	EAMM-U-86-D60-57AA-102
EMMT-ST-87-..., EMMB-ST-87-..., third-party motor	87A	1215784	EAMM-U-86-D60-87A-102
<b>With gear unit</b>			
EMGA-60-P-...-SAS/SST <sup>2)</sup>	60G	1536988	EAMM-U-86-D60-60G-102
EMGA-60-P-...-EAS, EMGC-60-P-...2), third-party gear unit	60H	1536988	EAMM-U-86-D60-60H-102
EMGA-60-P-...-SAS/SST <sup>2)</sup>	60G	1543240	EAMM-U-110-D60-60G-120
EMGA-60-P-...-EAS, EMGC-60-P-...2), third-party gear unit	60H	1542264	EAMM-U-110-D60-60H-120
EMGA-80-P-...	80G	1532949	EAMM-U-110-D60-80G-120
Third-party gear unit	70GA	8058990	EAMM-U-86-D60-70GA-102
Third-party gear unit	90GA	8107723	EAMM-U-110-D60-90GA-120
Third-party gear unit	120GA	8059046	EAMM-U-110-D60-120GA-120

1) The input torque must not exceed the max. permissible transferable torque of the parallel kit.

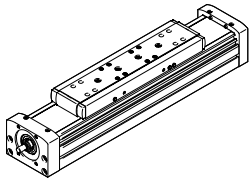
2) Gear unit output shaft diameter: EMGA-60-P-...-SAS/SST: 11 mm; EMGA-60-P-...-EAS, EMGC-60-P: 14 mm

**Note**

Clamping component EADT for adjusting the toothed belt pretension for EAMM-U-110 and EAMM-U-145 → page 42

## Product range overview

### Permitted axis/motor combinations with ball screw axis ELGA-BS



- The kit can be mounted in all directions
- A counter bearing EAMG and a clamping sleeve EAMH-...-P with integrated trunnion are included in the scope of delivery for the parallel kit to support the axis shaft.
- Table of interfaces for third-party motors → from page 64

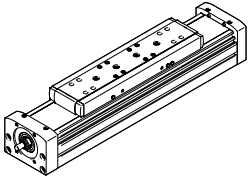
Motor/gear unit <sup>1)</sup> Type	Motor interface	Parallel kit	
		Part no.	Type
<b>ELGA-BS-...-70</b>			
<b>With servo motor</b>			
Third-party motor	38AA	8058926	EAMM-U-50-S38-38AA-78
Third-party motor	40A	1217708	EAMM-U-50-S38-40A-78
EMMT-AS-40-..., EMMB-AS-40-...	40P	2155239	EAMM-U-50-S38-40P-78
Third-party motor	40R	8058943	EAMM-U-60-S38-40R-91
Third-party motor	55A	1218538	EAMM-U-60-S38-55A-91
Third-party motor	58AA	8058947	EAMM-U-60-S38-58AA-91
Third-party motor	60P, 60PA	8125092	EAMM-U-60-S38-60P-91
Third-party motor	60RA	8058948	EAMM-U-60-S38-60RA-91
<b>With stepper motor</b>			
EMMT-ST-42-..., EMMB-ST-42-...	42A	1217945	EAMM-U-50-S38-42A-78
EMMT-ST-57-..., EMMB-ST-57-...	57A	1218568	EAMM-U-60-S38-57A-91
Third-party motor	57AC	8058946	EAMM-U-60-S38-57AC-91
<b>With gear unit</b>			
EMGA-40-P-...	40G	2283732	EAMM-U-60-S38-40G-91
EMGC-40-P-...	40G	2283732	EAMM-U-60-S38-40G-91
Third-party gear unit	50GA	8107724	EAMM-U-60-S38-50GA-91
<b>ELGA-BS-...-80</b>			
<b>With servo motor</b>			
Third-party motor	40R	8058949	EAMM-U-60-S48-40R-91
Third-party motor	55A	1219370	EAMM-U-60-S48-55A-91
Third-party motor	58AA	8058950	EAMM-U-60-S48-58AA-91
Third-party motor	58AA	8058995	EAMM-U-86-S48-58AA-102
Third-party motor	58AA	8059008	EAMM-U-86-S48-58AA-177
EMMT-AS-60-..., EMMB-AS-60	60P	2629253	EAMM-U-70-S48-60P-96
EMMT-AS-60-..., EMMB-AS-60	60P	8058996	EAMM-U-86-S48-60P-102
EMMT-AS-60-..., EMMB-AS-60	60P	8059011	EAMM-U-86-S48-60P-177
Third-party motor	60PA	8059012	EAMM-U-86-S48-60PA-177
Third-party motor	60R	8105843	EAMM-U-70-S48-60R-96
Third-party motor	60RA	8058969	EAMM-U-70-S48-60RA-96
Third-party motor	60RB	8058997	EAMM-U-86-S48-60RB-102
Third-party motor	60RB	8059014	EAMM-U-86-S48-60RB-177
Third-party motor	70A	2787320	EAMM-U-70-S48-70A-96
Third-party motor	70A	1217689	EAMM-U-86-S48-70A-102
Third-party motor	70A	8059016	EAMM-U-86-S48-70A-177
Third-party motor	70AA, 70AB	8058970	EAMM-U-70-S48-70AA-96
Third-party motor	70AA, 70AB	8058999	EAMM-U-86-S48-70AA-102
Third-party motor	70AA, 70AB	8059017	EAMM-U-86-S48-70AA-177
Third-party motor	82AA	8059002	EAMM-U-86-S48-82AA-102
Third-party motor	82AA	8059021	EAMM-U-86-S48-82AA-177
Third-party motor	84AA	8059003	EAMM-U-86-S48-84AA-102
Third-party motor	84AA	8059022	EAMM-U-86-S48-84AA-177

1) The input torque must not exceed the max. permissible transferable torque of the parallel kit.

2) Gear unit output shaft diameter: EMGA-60-P-...SAS/SST: 11 mm; EMGA-60-P-...EAS, EMGC-60-P: 14 mm

## Product range overview

## Permitted axis/motor combinations with ball screw axis ELGA-BS



- The kit can be mounted in all directions
- A counter bearing EAMG and a clamping sleeve EAMH-...-P with integrated trunnion are included in the scope of delivery for the parallel kit to support the axis shaft.
- Table of interfaces for third-party motors → from page 64

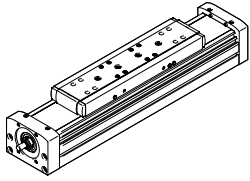
Motor/gear unit <sup>1)</sup> Type	Motor interface	Parallel kit	
		Part no.	Type
<b>ELGA-BS-...-80</b>			
<b>With stepper motor</b>			
EMMT-ST-57-..., EMMB-ST-57-...	57A	1219379	EAMM-U-60-S48-57A-91
Third-party motor	60AA	8105898	EAMM-U-60-S48-60AA-91
EMMT-ST-87-..., EMMB-ST-87-..., third-party motor	87A	8059004	EAMM-U-86-S48-87A-102
EMMT-ST-87-..., EMMB-ST-87-..., third-party motor	87A	1217604	EAMM-U-86-S48-87A-177
<b>With gear unit</b>			
EMGA-40-P-...	40G	2283760	EAMM-U-60-S48-40G-91
EMGC-40-P-...	40G	2283760	EAMM-U-60-S48-40G-91
Third-party gear unit	50GA	8105900	EAMM-U-60-S48-50GA-91
EMGA-60-P-...-SAS/SST <sup>2)</sup>	60G	2283760	EAMM-U-70-S48-60G-96
EMGA-60-P-...-SAS/SST <sup>2)</sup>	60G	1587251	EAMM-U-86-S48-60G-102
Third-party gear unit	60G	8059009	EAMM-U-86-S48-60G-177
EMGA-60-P-...-EAS, EMGC-60-P-...2), third-party gear unit	60H	2801715	EAMM-U-70-S48-60H-96
EMGA-60-P-...-EAS, EMGC-60-P-...2), third-party gear unit	60H	1587338	EAMM-U-86-S48-60H-102
Third-party gear unit	70GA	8059000	EAMM-U-86-S48-70GA-102
Third-party gear unit	70GA	8059019	EAMM-U-86-S48-70GA-177
<b>ELGA-BS-...-120</b>			
<b>With servo motor</b>			
Third-party motor	55A	8059033	EAMM-U-86-S62-55A-177
Third-party motor	60PA	8059026	EAMM-U-86-S62-60PA-102
Third-party motor	60PA	8059034	EAMM-U-86-S62-60PA-177
Third-party motor	70A	8059027	EAMM-U-86-S62-70A-102
Third-party motor	70A	1217543	EAMM-U-86-S62-70A-177
Third-party motor	70AA, 70AB	8059028	EAMM-U-86-S62-70AA-102
Third-party motor	70AA, 70AB	8059036	EAMM-U-86-S62-70AA-177
EMMT-AS-80-..., EMMB-AS-80	80P	2157004	EAMM-U-86-S62-80P-177
Third-party motor	80PB	8105905	EAMM-U-86-S62-80PB-177
Third-party motor	82AA	8059031	EAMM-U-86-S62-82AA-102
Third-party motor	82AA	8059038	EAMM-U-86-S62-82AA-177
Third-party motor	84AA	8059051	EAMM-U-110-S62-84AA-120
Third-party motor	84AA	8059057	EAMM-U-110-S62-84AA-207
Third-party motor	88A	8059052	EAMM-U-110-S62-88A-120
Third-party motor	88A	8059058	EAMM-U-110-S62-88A-207
EMMT-AS-100-...	100A	1217381	EAMM-U-110-S62-100A-207
Third-party motor	126AA	8059073	EAMM-U-145-S62-126AA-288
EMMT-AS-150-...,	140A, 150A	8157287	EAMM-U-145-S62-150A-288

1) The input torque must not exceed the max. permissible transferable torque of the parallel kit.

2) Gear unit output shaft diameter: EMGA-60-P-...SAS/SST: 11 mm; EMGA-60-P-...EAS, EMGC-60-P: 14 mm

## Product range overview

### Permitted axis/motor combinations with ball screw axis ELGA-BS



- The kit can be mounted in all directions
- A counter bearing EAMG and a clamping sleeve EAMH-...-P with integrated trunnion are included in the scope of delivery for the parallel kit to support the axis shaft.
- Table of interfaces for third-party motors → from page 64

Motor/gear unit <sup>1)</sup> Type	Motor interface	Parallel kit	
		Part no.	Type
<b>ELGA-BS-...-120</b>			
<b>With stepper motor</b>			
EMMT-ST-87-..., EMMB-ST-87-..., third-party motor	87A	8059032	EAMM-U-86-S62-87A-102
EMMT-ST-87-..., EMMB-ST-87-..., third-party motor	87A	1217373	EAMM-U-86-S62-87A-177
<b>With gear unit</b>			
EMGA-60-P-...-SAS/SST <sup>2)</sup>	60G	1587411	EAMM-U-86-S62-60G-177
EMGA-60-P-...-EAS, EMGC-60-P-...2), third-party gear unit	60H	1587453	EAMM-U-86-S62-60H-177
Third-party gear unit	70GA	8105902	EAMM-U-86-S62-70GA-177
<b>ELGA-BS-...-150</b>			
<b>With servo motor</b>			
Third-party motor	84AA	8059063	EAMM-U-110-S95-84AA-207
EMMT-AS-100-...	100A	1220656	EAMM-U-110-S95-100A-207
EMMT-AS-150-...	140A, 150A	1220582	EAMM-U-145-S95-140A-288
<b>With gear unit</b>			
EMGA-80-P-...	80G	1589544	EAMM-U-110-S95-80G-207
Third-party gear unit	90GA	8105907	EAMM-U-110-S95-90GA-207

1) The input torque must not exceed the max. permissible transferable torque of the parallel kit.

2) Gear unit output shaft diameter: EMGA-60-P-...-SAS/SST: 11 mm; EMGA-60-P-...-EAS, EMGC-60-P: 14 mm

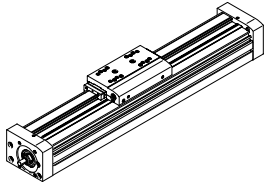


#### Note

Clamping component EADT for adjusting the toothed belt pretension for EAMM-U-110 and EAMM-U-145 → page 42

## Product range overview

## Permitted axis/motor combinations with ball screw axis EGC-BS



- The kit can be mounted in all directions
- A counter bearing EAMG and a clamping sleeve EAMH-...-P with integrated trunnion are included in the scope of delivery for the parallel kit to support the axis shaft.
- Table of interfaces for third-party motors → from page 64

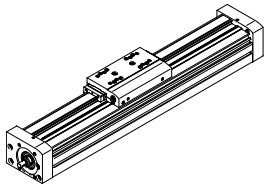
Motor/gear unit <sup>1)</sup> Type	Motor interface	Parallel kit	
		Part no.	Type
<b>EGC-70-...-BS</b>			
<b>With servo motor</b>			
Third-party motor	38AA	8058926	EAMM-U-50-S38-38AA-78
Third-party motor	40A	1217708	EAMM-U-50-S38-40A-78
EMMT-AS-40-..., EMMB-AS-40-...	40P	2155239	EAMM-U-50-S38-40P-78
Third-party motor	40R	8058943	EAMM-U-60-S38-40R-91
Third-party motor	55A	1218538	EAMM-U-60-S38-55A-91
Third-party motor	58AA	8058947	EAMM-U-60-S38-58AA-91
Third-party motor	60P, 60PA	8125092	EAMM-U-60-S38-60P-91
Third-party motor	60RA	8058948	EAMM-U-60-S38-60RA-91
<b>With stepper motor</b>			
EMMT-ST-42-..., EMMB-ST-42-...	42A	1217945	EAMM-U-50-S38-42A-78
EMMT-ST-57-..., EMMB-ST-57-...	57A	1218568	EAMM-U-60-S38-57A-91
Third-party motor	57AC	8058946	EAMM-U-60-S38-57AC-91
<b>With gear unit</b>			
EMGA-40-P-...	40G	2283732	EAMM-U-60-S38-40G-91
EMGC-40-P-...	40G	2283732	EAMM-U-60-S38-40G-91
Third-party gear unit	50GA	8107724	EAMM-U-60-S38-50GA-91
<b>EGC-80-...-BS</b>			
<b>With servo motor</b>			
Third-party motor	40R	8058949	EAMM-U-60-S48-40R-91
Third-party motor	55A	1219370	EAMM-U-60-S48-55A-91
Third-party motor	58AA	8058950	EAMM-U-60-S48-58AA-91
Third-party motor	58AA	8058995	EAMM-U-86-S48-58AA-102
Third-party motor	58AA	8059008	EAMM-U-86-S48-58AA-177
EMMT-AS-60-..., EMMB-AS-60	60P	2629253	EAMM-U-70-S48-60P-96
EMMT-AS-60-..., EMMB-AS-60	60P	8058996	EAMM-U-86-S48-60P-102
EMMT-AS-60-..., EMMB-AS-60	60P	8059011	EAMM-U-86-S48-60P-177
Third-party motor	60PA	8059012	EAMM-U-86-S48-60PA-177
Third-party motor	60R	8105843	EAMM-U-70-S48-60R-96
Third-party motor	60RA	8058969	EAMM-U-70-S48-60RA-96
Third-party motor	60RB	8058997	EAMM-U-86-S48-60RB-102
Third-party motor	60RB	8059014	EAMM-U-86-S48-60RB-177
Third-party motor	70A	2787320	EAMM-U-70-S48-70A-96
Third-party motor	70A	1217689	EAMM-U-86-S48-70A-102
Third-party motor	70A	8059016	EAMM-U-86-S48-70A-177
Third-party motor	70AA, 70AB	8058970	EAMM-U-70-S48-70AA-96
Third-party motor	70AA, 70AB	8058999	EAMM-U-86-S48-70AA-102
Third-party motor	70AA, 70AB	8059017	EAMM-U-86-S48-70AA-177
Third-party motor	82AA	8059002	EAMM-U-86-S48-82AA-102
Third-party motor	82AA	8059021	EAMM-U-86-S48-82AA-177
Third-party motor	84AA	8059003	EAMM-U-86-S48-84AA-102
Third-party motor	84AA	8059022	EAMM-U-86-S48-84AA-177

1) The input torque must not exceed the max. permissible transferable torque of the parallel kit.

2) Gear unit output shaft diameter: EMGA-60-P-...SAS/SST: 11 mm; EMGA-60-P-...EAS, EMGC-60-P: 14 mm

## Product range overview

### Permitted axis/motor combinations with ball screw axis EGC-BS



- The kit can be mounted in all directions
- A counter bearing EAMG and a clamping sleeve EAMH-...-P with integrated trunnion are included in the scope of delivery for the parallel kit to support the axis shaft.
- Table of interfaces for third-party motors → from page 64

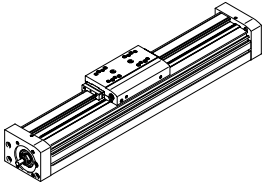
Motor/gear unit <sup>1)</sup>	Motor interface	Parallel kit	
		Part no.	Type
<b>EGC-80-...-BS</b>			
<b>With stepper motor</b>			
EMMT-ST-57-..., EMMB-ST-57-...	57A	1219379	EAMM-U-60-S48-57A-91
Third-party motor	60AA	8105898	EAMM-U-60-S48-60AA-91
EMMT-ST-87-..., EMMB-ST-87-..., third-party motor	87A	8059004	EAMM-U-86-S48-87A-102
EMMT-ST-87-..., EMMB-ST-87-..., third-party motor	87A	1217604	EAMM-U-86-S48-87A-177
<b>With gear unit</b>			
EMGA-40-P-...	40G	2283760	EAMM-U-60-S48-40G-91
EMGC-40-P-...	40G	2283760	EAMM-U-60-S48-40G-91
Third-party gear unit	50GA	8105900	EAMM-U-60-S48-50GA-91
EMGA-60-P-...-SAS/SST <sup>2)</sup>	60G	2283760	EAMM-U-70-S48-60G-96
EMGA-60-P-...-SAS/SST <sup>2)</sup>	60G	1587251	EAMM-U-86-S48-60G-102
EMGA-60-P-...-SAS/SST <sup>2)</sup>	60G	8059009	EAMM-U-86-S48-60G-177
EMGA-60-P-...-EAS, EMGC-60-P-...2), third-party gear unit	60H	2801715	EAMM-U-70-S48-60H-96
EMGA-60-P-...-EAS, EMGC-60-P-...2), third-party gear unit	60H	1587338	EAMM-U-86-S48-60H-102
Third-party gear unit	70GA	8059000	EAMM-U-86-S48-70GA-102
Third-party gear unit	70GA	8059019	EAMM-U-86-S48-70GA-177
<b>EGC-120-...-BS</b>			
<b>With servo motor</b>			
Third-party motor	55A	8059033	EAMM-U-86-S62-55A-177
Third-party motor	60PA	8059026	EAMM-U-86-S62-60PA-102
Third-party motor	60PA	8059034	EAMM-U-86-S62-60PA-177
Third-party motor	70A	8059027	EAMM-U-86-S62-70A-102
Third-party motor	70A	1217543	EAMM-U-86-S62-70A-177
Third-party motor	70AA, 70AB	8059028	EAMM-U-86-S62-70AA-102
Third-party motor	70AA, 70AB	8059036	EAMM-U-86-S62-70AA-177
EMMT-AS-80-..., EMMB-AS-80	80P	2157004	EAMM-U-86-S62-80P-177
Third-party motor	80PB	8105905	EAMM-U-86-S62-80PB-177
Third-party motor	82AA	8059031	EAMM-U-86-S62-82AA-102
Third-party motor	82AA	8059038	EAMM-U-86-S62-82AA-177
Third-party motor	84AA	8059051	EAMM-U-110-S62-84AA-120
Third-party motor	84AA	8059057	EAMM-U-110-S62-84AA-207
Third-party motor	88A	8059052	EAMM-U-110-S62-88A-120
Third-party motor	88A	8059058	EAMM-U-110-S62-88A-207
EMMT-AS-100-...	100A	1217381	EAMM-U-110-S62-100A-207
Third-party motor	126AA	8059073	EAMM-U-145-S62-126AA-288
EMMT-AS-150-...,	140A, 150A	8157287	EAMM-U-145-S62-150A-288

1) The input torque must not exceed the max. permissible transferable torque of the parallel kit.

2) Gear unit output shaft diameter: EMGA-60-P-...-SAS/SST: 11 mm; EMGA-60-P-...-EAS, EMGC-60-P: 14 mm

## Product range overview

## Permitted axis/motor combinations with ball screw axis EGC-BS



- The kit can be mounted in all directions
- A counter bearing EAMG and a clamping sleeve EAMH-...-P with integrated trunnion are included in the scope of delivery for the parallel kit to support the axis shaft.
- Table of interfaces for third-party motors → from page 64

Motor/gear unit <sup>1)</sup> Type	Motor interface	Parallel kit	
		Part no.	Type
<b>EGC-120-...-BS</b>			
<b>With stepper motor</b>			
EMMT-ST-57-..., EMMB-ST-87-..., third-party motor	87A	8059032	EAMM-U-86-S62-87A-102
EMMT-ST-87-..., EMMB-ST-87-..., third-party motor	87A	1217373	EAMM-U-86-S62-87A-177
<b>With gear unit</b>			
EMGA-60-P-...-SAS/SST <sup>2)</sup>	60G	1587411	EAMM-U-86-S62-60G-177
EMGA-60-P-...-EAS, EMGC-60-P-...2), third-party gear unit	60H	1587453	EAMM-U-86-S62-60H-177
Third-party gear unit	70GA	8105902	EAMM-U-86-S62-70GA-177
<b>EGC-185-...-BS</b>			
<b>With servo motor</b>			
Third-party motor	84AA	8059063	EAMM-U-110-S95-84AA-207
EMMT-AS-100-...	100A	1220656	EAMM-U-110-S95-100A-207
EMMT-AS-150-...	140A, 150A	8157288	EAMM-U-145-S95-150A-288
<b>With gear unit</b>			
EMGA-80-P-...	80G	1589544	EAMM-U-110-S95-80G-207
Third-party gear unit	90GA	8105907	EAMM-U-110-S95-90GA-207

1) The input torque must not exceed the max. permissible transferable torque of the parallel kit.

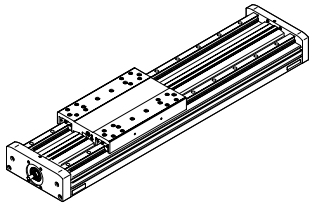
2) Gear unit output shaft diameter: EMGA-60-P-...SAS/SST: 11 mm; EMGA-60-P-...EAS, EMGC-60-P: 14 mm

**Note**

Clamping component EADT for adjusting the toothed belt pretension for EAMM-U-110 and EAMM-U-145 → page 42

## Product range overview

### Permitted axis/motor combinations with ball screw axis with heavy-duty guide EGC-HD-BS



- A counter bearing EAMG and a clamping sleeve EAMH-...-P with integrated trunnion are included in the scope of delivery for the parallel kit to support the axis shaft.
- Table of interfaces for third-party motors → from page 64

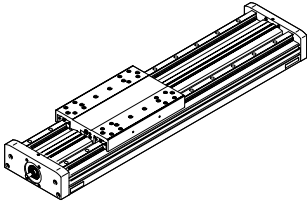
Motor/gear unit <sup>1)</sup> Type	Motor interface	Parallel kit	
		Part no.	Type
<b>EGC-HD-125-...-BS</b>			
<b>With servo motor</b>			
Third-party motor	38AA	8058926	EAMM-U-50-S38-38AA-78
Third-party motor	40A	1217708	EAMM-U-50-S38-40A-78
EMMT-AS-40-..., EMMB-AS-40-...	40P	2155239	EAMM-U-50-S38-40P-78
Third-party motor	40R	8058943	EAMM-U-60-S38-40R-91
Third-party motor	55A	1218538	EAMM-U-60-S38-55A-91
Third-party motor	58AA	8058947	EAMM-U-60-S38-58AA-91
Third-party motor	60P, 60PA	8125092	EAMM-U-60-S38-60P-91
Third-party motor	60RA	8058948	EAMM-U-60-S38-60RA-91
<b>With stepper motor</b>			
EMMT-ST-42-..., EMMB-ST-42-...	42A	1217945	EAMM-U-50-S38-42A-78
EMMT-ST-57-..., EMMB-ST-57-...	57A	1218568	EAMM-U-60-S38-57A-91
Third-party motor	57AC	8058946	EAMM-U-60-S38-57AC-91
<b>With gear unit</b>			
EMGA-40-P-...	40G	2283732	EAMM-U-60-S38-40G-91
EMGC-40-P-...	40G	2283732	EAMM-U-60-S38-40G-91
Third-party gear unit	50GA	8107724	EAMM-U-60-S38-50GA-91
<b>EGC-HD-160-...-BS</b>			
<b>With servo motor</b>			
Third-party motor	40R	8058949	EAMM-U-60-S48-40R-91
Third-party motor	55A	1219370	EAMM-U-60-S48-55A-91
Third-party motor	58AA	8058950	EAMM-U-60-S48-58AA-91
Third-party motor	58AA	8058995	EAMM-U-86-S48-58AA-102
Third-party motor	58AA	8059008	EAMM-U-86-S48-58AA-177
EMMT-AS-60-..., EMMB-AS-60	60P	2629253	EAMM-U-70-S48-60P-96
EMMT-AS-60-..., EMMB-AS-60	60P	8058996	EAMM-U-86-S48-60P-102
EMMT-AS-60-..., EMMB-AS-60	60P	8059011	EAMM-U-86-S48-60P-177
Third-party motor	60PA	8059012	EAMM-U-86-S48-60PA-177
Third-party motor	60R	8105843	EAMM-U-70-S48-60R-96
Third-party motor	60RA	8058969	EAMM-U-70-S48-60RA-96
Third-party motor	60RB	8058997	EAMM-U-86-S48-60RB-102
Third-party motor	60RB	8059014	EAMM-U-86-S48-60RB-177
Third-party motor	70A	2787320	EAMM-U-70-S48-70A-96
Third-party motor	70A	1217689	EAMM-U-86-S48-70A-102
Third-party motor	70A	8059016	EAMM-U-86-S48-70A-177
Third-party motor	70AA, 70AB	8058970	EAMM-U-70-S48-70AA-96
Third-party motor	70AA, 70AB	8058999	EAMM-U-86-S48-70AA-102
Third-party motor	70AA, 70AB	8059017	EAMM-U-86-S48-70AA-177
Third-party motor	82AA	8059002	EAMM-U-86-S48-82AA-102
Third-party motor	82AA	8059021	EAMM-U-86-S48-82AA-177
Third-party motor	84AA	8059003	EAMM-U-86-S48-84AA-102
Third-party motor	84AA	8059022	EAMM-U-86-S48-84AA-177

1) The input torque must not exceed the max. permissible transferable torque of the parallel kit.

2) Gear unit output shaft diameter: EMGA-60-P-...SAS/SST: 11 mm; EMGA-60-P-...EAS, EMGC-60-P: 14 mm

## Product range overview

## Permitted axis/motor combinations with ball screw axis with heavy-duty guide EGC-HD-BS



- A counter bearing EAMG and a clamping sleeve EAMH-...-P with integrated trunnion are included in the scope of delivery for the parallel kit to support the axis shaft.
- Table of interfaces for third-party motors → from page 64

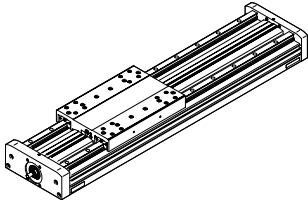
Motor/gear unit <sup>1)</sup> Type	Motor interface	Parallel kit Part no.	Type
<b>EGC-HD-160-...-BS</b>			
<b>With stepper motor</b>			
EMMT-ST-57-..., EMMB-ST-57-...	57A	1219379	EAMM-U-60-S48-57A-91
Third-party motor	60AA	8105898	EAMM-U-60-S48-60AA-91
EMMT-ST-87, EMMB-ST-87-..., third-party motor	87A	8059004	EAMM-U-86-S48-87A-102
EMMT-ST-87, EMMB-ST-87-..., third-party motor	87A	1217604	EAMM-U-86-S48-87A-177
<b>With gear unit</b>			
EMGA-40-P-...	40G	2283760	EAMM-U-60-S48-40G-91
EMGC-40-P-...	40G	2283760	EAMM-U-60-S48-40G-91
Third-party gear unit	50GA	8105900	EAMM-U-60-S48-50GA-91
EMGA-60-P-...-SAS/SST <sup>2)</sup>	60G	2283760	EAMM-U-70-S48-60G-96
EMGA-60-P-...-SAS/SST <sup>2)</sup>	60G	1587251	EAMM-U-86-S48-60G-102
EMGA-60-P-...-SAS/SST <sup>2)</sup>	60G	8059009	EAMM-U-86-S48-60G-177
EMGA-60-P-...-EAS, EMGC-60-P-...2), third-party gear unit	60H	2801715	EAMM-U-70-S48-60H-96
EMGA-60-P-...-EAS, EMGC-60-P-...2), third-party gear unit	60H	1587338	EAMM-U-86-S48-60H-102
Third-party gear unit	70GA	8059000	EAMM-U-86-S48-70GA-102
Third-party gear unit	70GA	8059019	EAMM-U-86-S48-70GA-177
<b>EGC-HD-220-...-BS</b>			
<b>With servo motor</b>			
Third-party motor	55A	8059033	EAMM-U-86-S62-55A-177
Third-party motor	60PA	8059026	EAMM-U-86-S62-60PA-102
Third-party motor	60PA	8059034	EAMM-U-86-S62-60PA-177
Third-party motor	70A	8059027	EAMM-U-86-S62-70A-102
Third-party motor	70A	1217543	EAMM-U-86-S62-70A-177
Third-party motor	70AA, 70AB	8059028	EAMM-U-86-S62-70AA-102
Third-party motor	70AA, 70AB	8059036	EAMM-U-86-S62-70AA-177
EMMT-AS-80-..., EMMB-AS-80	80P	2157004	EAMM-U-86-S62-80P-177
Third-party motor	80PB	8105905	EAMM-U-86-S62-80PB-177
Third-party motor	82AA	8059031	EAMM-U-86-S62-82AA-102
Third-party motor	82AA	8059038	EAMM-U-86-S62-82AA-177
Third-party motor	84AA	8059051	EAMM-U-110-S62-84AA-120
Third-party motor	84AA	8059057	EAMM-U-110-S62-84AA-207
Third-party motor	88A	8059052	EAMM-U-110-S62-88A-120
Third-party motor	88A	8059058	EAMM-U-110-S62-88A-207
EMMT-AS-100-...	100A	1217381	EAMM-U-110-S62-100A-207
Third-party motor	126AA	8059073	EAMM-U-145-S62-126AA-288
EMMT-AS-150-...,	140A, 150A	8157287	EAMM-U-145-S62-150A-288

1) The input torque must not exceed the max. permissible transferable torque of the parallel kit.

2) Gear unit output shaft diameter: EMGA-60-P-...-SAS/SST: 11 mm; EMGA-60-P-...-EAS, EMGC-60-P: 14 mm

## Product range overview

### Permitted axis/motor combinations with ball screw axis with heavy-duty guide EGC-HD-BS



- A counter bearing EAMG and a clamping sleeve EAMH-...-P with integrated trunnion are included in the scope of delivery for the parallel kit to support the axis shaft.
- Table of interfaces for third-party motors → from page 64

Motor/gear unit <sup>1)</sup> Type	Motor interface	Parallel kit Part no.	Type
<b>EGC-HD-220-...-BS</b>			
<b>With stepper motor</b>			
EMMT-ST-87-..., EMMB-ST-87-..., third-party motor	87A	8059032	EAMM-U-86-S62-87A-102
EMMT-ST-87-..., EMMB-ST-87-..., third-party motor	87A	1217373	EAMM-U-86-S62-87A-177
<b>With gear unit</b>			
EMGA-60-P-...-SAS/SST <sup>2)</sup>	60G	1587411	EAMM-U-86-S62-60G-177
EMGA-60-P-...-EAS, EMGC-60-P-...2), third-party gear unit	60H	1587453	EAMM-U-86-S62-60H-177
Third-party gear unit	70GA	8105902	EAMM-U-86-S62-70GA-177

1) The input torque must not exceed the max. permissible transferable torque of the parallel kit.

2) Gear unit output shaft diameter: EMGA-60-P-...-SAS/-SST: 11 mm; EMGA-60-P-...-EAS, EMGC-60-P: 14 mm

## Datasheet

Material:

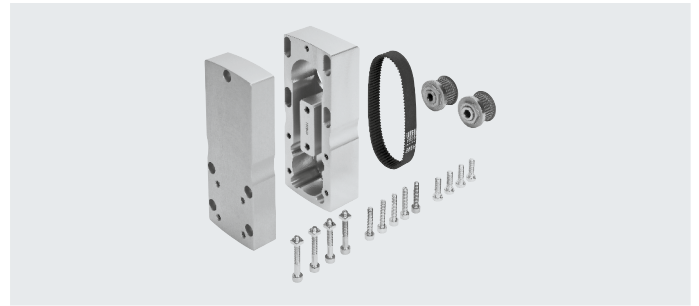
Housing: Wrought aluminium alloy

Clamping sleeve, toothed belt pulley:

Corrosion-resistant steel

Toothed belt: Polychloroprene

Screws: Galvanised steel



General technical data							
Type	For axis	Transferable torque [Nm]	Mass moment of inertia [kgmm <sup>2</sup> ]	Max. speed [rpm]	No-load driving torque [Nm]	Weight [g]	→ Page
EAMM-U-50-D19-38AA-78	EGSL-BS-35	1	12.1	6000	0.01	600	29
EAMM-U-50-D19-40R-78						600	
EAMM-U-50-D32-38AA-78	ESBF-BS-32, EGSL-BS-45					600	29, 35
EAMM-U-50-D32-40A-78						603	
EAMM-U-50-D32-40A-78-S1	ESBF-BS-32					620	
EAMM-U-50-D32-40P-48	ESBF-BS-32, EGSL-BS-45					479	
EAMM-U-50-D32-40P-78						596	
EAMM-U-50-D32-40P-78-S1	ESBF-BS-32					610	
EAMM-U-50-D32-40R-78	ESBF-BS-32					589	
EAMM-U-50-D32-40RA-78	ESBF-BS-32, EGSL-BS-45					589	
EAMM-U-50-D32-42A-78						610	
EAMM-U-50-D32-42A-78-S1	ESBF-BS-32					625	
EAMM-U-60-D32-40G-91	ESBF-BS-32, EGSL-BS-45	3	26.7	6000	0.07	1100	
EAMM-U-60-D32-40G-91-S1						ESBF-BS-32	1140
EAMM-U-60-D32-55A-91	ESBF-BS-32, EGSL-BS-45					1050	
EAMM-U-60-D32-55A-91-S1						ESBF-BS-32	1100
EAMM-U-60-D32-57A-91	ESBF-BS-32, EGSL-BS-45					1160	
EAMM-U-60-D32-57A-91-S1						ESBF-BS-32	1190
EAMM-U-60-D32-57AC-91	ESBF-BS-32, EGSL-BS-45					1150	
EAMM-U-60-D32-58AA-91						1150	
EAMM-U-60-D32-60AA-91						1150	
EAMM-U-60-D32-60P-91	ESBF-BS-40, EGSL-BS-55					1130	
EAMM-U-60-D32-60RA-91						1150	
EAMM-U-60-D32-60RB-91						1150	
EAMM-U-60-D40-40G-91						1080	
EAMM-U-60-D40-40G-91-S1	ESBF-BS-40					1130	
EAMM-U-60-D40-40R-91	ESBF-BS-40, EGSL-BS-55					1150	
EAMM-U-60-D40-50GA-91						1150	
EAMM-U-60-D40-55A-91						1040	
EAMM-U-60-D40-55A-91-S1	ESBF-BS-40					1080	
EAMM-U-60-D40-57A-91	ESBF-BS-40, EGSL-BS-55					1140	
EAMM-U-60-D40-57A-91-S1						ESBF-BS-40	1170
EAMM-U-60-D40-57AC-91	ESBF-BS-40, EGSL-BS-55					1150	
EAMM-U-60-D40-58AA-91						1150	
EAMM-U-60-D40-60P-61						926	
EAMM-U-60-D40-60R-91						1120	
EAMM-U-60-D40-60R-91-S1	ESBF-BS-40					1150	

Datasheet

General technical data							
Type	For axis	Transferable torque [Nm]	Mass moment of inertia [kgmm <sup>2</sup> ]	Max. speed [rpm]	No-load driving torque [Nm]	Weight [g]	→ Page
EAMM-U-70-D32-60G-96	ESBF-BS-32, EGSL-BS-45	7	118	5000	0.18	1760	29, 35
EAMM-U-70-D32-60G-96-S1	ESBF-BS-32					1780	
EAMM-U-70-D32-60H-96	ESBF, EGSL					1750	
EAMM-U-70-D32-60H-96-S1	ESBF-BS-32					1780	
EAMM-U-70-D32-60P-96	ESBF, EGSL					1750	
EAMM-U-70-D32-60P-96-S1	ESBF-BS-32					1770	
EAMM-U-70-D32-68GA-96	ESBF, EGSL					1800	
EAMM-U-70-D32-70A-96	ESBF, EGSL					1720	
EAMM-U-70-D32-70A-96-S1	ESBF-BS-32					1750	
EAMM-U-70-D32-70AA-96	ESBF, EGSL					1750	
EAMM-U-70-D40-60G-96FDGF	ESBF-BS-40, EGSL-BS-55					1740	
EAMM-U-70-D40-60G-96-S1	ESBF-BS-40					1770	
EAMM-U-70-D40-60H-96	ESBF-BS-40, EGSL-BS-55					1730	
EAMM-U-70-D40-60H-96-S1	ESBF-BS-40					1760	
EAMM-U-70-D40-60P-96	ESBF-BS-40, EGSL-BS-55					1730	
EAMM-U-70-D40-60P-96-S1	ESBF-BS-40					1750	
EAMM-U-70-D40-60RA-96	ESBF-BS-40, EGSL-BS-55					1800	
EAMM-U-70-D40-68GA-96						1800	
EAMM-U-70-D40-70A-96						1700	
EAMM-U-70-D40-70A-96-S1	ESBF-BS-40					1730	
EAMM-U-70-D50-60P-96	ESBF-BS-50					1730	
EAMM-U-70-D50-70A-96						1700	
EAMM-U-70-D50-70A-96-S1						1730	
EAMM-U-70-D50-60RA-96						1800	
EAMM-U-70-D50-68GA-96						1800	
EAMM-U-86-D40-60G-102						ESBF-BS-40, EGSL-BS-55	
EAMM-U-86-D40-60G-102-S1	ESBF-BS-40	2500					
EAMM-U-86-D40-60H-102	ESBF-BS-40, EGSL-BS-55	2470					
EAMM-U-86-D40-60H-102-S1	ESBF-BS-40	2490					
EAMM-U-86-D40-60PA-102	ESBF-BS-40, EGSL-BS-55	2500					
EAMM-U-86-D40-70A-102		2450					
EAMM-U-86-D40-70A-102-S1	ESBF-BS-40	2460					
EAMM-U-86-D40-70AA-102	ESBF-BS-40, EGSL-BS-55	2400					
EAMM-U-86-D40-80P-102		2300					
EAMM-U-86-D40-80P-102-S1	ESBF-BS-40	2320					
EAMM-U-86-D40-80PB-102	ESBF-BS-40, EGSL-BS-55	2300					
EAMM-U-86-D40-82AA-102		2500					
EAMM-U-86-D40-84AA-102	ESBF-BS-40, EGSL-BS-55	2590					
EAMM-U-86-D40-87A-102		2510					
EAMM-U-86-D40-87A-102-S1	ESBF-BS-40	2530					
EAMM-U-86-D40-88A-102	ESBF-BS-40, EGSL-BS-55	2490					

## Datasheet

General technical data								
Type	For axis	Transferable torque [Nm]	Mass moment of inertia [kgmm <sup>2</sup> ]	Max. speed [rpm]	No-load driving torque [Nm]	Weight [g]	→ Page	
EAMM-U-86-D50-60G-102	ESBF-BS-50	9.5	175	5000	0.25	2510	29	
EAMM-U-86-D50-60G-102-S1						2530		
EAMM-U-86-D50-60H-102						2500		
EAMM-U-86-D50-60H-102-S1						2520		
EAMM-U-86-D50-80P-102						2330		
EAMM-U-86-D50-80P-102-S1						2350		
EAMM-U-86-D50-80PB-102						2330		
EAMM-U-86-D50-87A-102						2550		
EAMM-U-86-D50-87A-102-S1						2560		
EAMM-U-86-D60-55A-102						ESBF-BS-63, EGSL-BS-75		9.5
EAMM-U-86-D60-57AA-102	2500							
EAMM-U-86-D60-58AA-102	2500							
EAMM-U-86-D60-60G-102	2480							
EAMM-U-86-D60-60G-102-S1	ESBF-BS-63	2500						
EAMM-U-86-D60-60H-102	ESBF-BS-63, EGSL-BS-75	2470						
EAMM-U-86-D60-60H-102-S1	ESBF-BS-63	2490						
EAMM-U-86-D60-60P-102	ESBF-BS-63, EGSL-BS-75	2500						
EAMM-U-86-D60-60PA-102	2500							
EAMM-U-86-D60-60RB-102	2500							
EAMM-U-86-D60-70A-102	2440							
EAMM-U-86-D60-70A-102-S1	ESBF-BS-63	2460						
EAMM-U-86-D60-70AA-102	ESBF-BS-63, EGSL-BS-75	2400						
EAMM-U-86-D60-70GA-102	2500							
EAMM-U-86-D60-80P-102	2300							
EAMM-U-86-D60-80P-102-G2	2290							
EAMM-U-86-D60-80P-102-S1	ESBF-BS-63	2320						
EAMM-U-86-D60-80P-102-S1-G2	2320							
EAMM-U-86-D60-80PB-102	ESBF-BS-63, EGSL-BS-75	2300						
EAMM-U-86-D60-82AA-102	2500							
EAMM-U-86-D60-84AA-102	2590							
EAMM-U-86-D60-87A-102	2510							
EAMM-U-86-D60-87A-102-S1	ESBF-BS-63	2520						
EAMM-U-86-D60-88A-102	ESBF-BS-63, EGSL-BS-75							
EAMM-U-110-D50-60G-120	ESBF-BS-50	25	799	5000	0.3	5290	29	
EAMM-U-110-D50-60G-120-S1						5320		
EAMM-U-110-D50-60H-120						5280		
EAMM-U-110-D50-60H-120-S1						5310		
EAMM-U-110-D50-80G-120						5160		
EAMM-U-110-D50-80G-120-S1						5220		
EAMM-U-110-D50-84AA-120								
EAMM-U-110-D50-100A-120						4990		
EAMM-U-110-D50-100A-120-S1						5050		
EAMM-U-110-D50-120GA-120						5250		
EAMM-U-110-D60-60G-120	ESBF-BS-63, EGSL-BS-75					5250	29, 35	
EAMM-U-110-D60-60G-120-S1						ESBF-BS-63		5080

Datasheet

General technical data													
Type	For axis	Transferable torque [Nm]	Mass moment of inertia [kgmm <sup>2</sup> ]	Max. speed [rpm]	No-load driving torque [Nm]	Weight [g]	→ Page						
EAMM-U-110-D60-60H-120	ESBF-BS-63, EGSL-BS-75	25	799	5000	0.3	5240	29, 35						
EAMM-U-110-D60-60H-120-S1	ESBF					5270							
EAMM-U-110-D60-80G-120	ESBF-BS-63, EGSL-BS-75					5120							
EAMM-U-110-D60-80G-120-S1	ESBF					5180							
EAMM-U-110-D60-84AA-120	ESBF-BS-63, EGSL-BS-75					5250							
EAMM-U-110-D60-88A-120						5250							
EAMM-U-110-D60-90R-120						5070							
EAMM-U-110-D60-90R-120-S1						5110							
EAMM-U-110-D60-90GA-120	ESBF					5250							
EAMM-U-110-D60-100A-120	ESBF-BS-63, EGSL-BS-75					4950							
EAMM-U-110-D60-100A-120-S1	ESBF					5020							
EAMM-U-110-D80-80G-120	ESBF-BS-80					5240							
EAMM-U-110-D80-80G-120-S1						5310							
EAMM-U-110-D80-100A-120						5070							
EAMM-U-110-D80-100A-120-S1						5140							
EAMM-U-110-D80-120GA-120		5250											
EAMM-U-145-D80-90GA-188		ESBF-BS-80	50	2270	4000	2.0	12000	29					
EAMM-U-145-D80-126AA-188		12000											
EAMM-U-145-D80-140A-188		11900											
EAMM-U-145-D80-140A-188-S1		12100											
EAMM-U-145-D80-150A-188		11500											
EAMM-U-145-D80-150A-188-S1		11600											
EAMM-U-145-D100-120G-188	ESBF-BS-100	12000											
EAMM-U-145-D100-120G-188-S1		12100											
EAMM-U-145-D100-140A-188		11800											
EAMM-U-145-D100-140A-188-S1		11900											
EAMM-U-145-D100-150A-188		11400											
EAMM-U-145-D100-150A-188-S1		11500											
EAMM-U-50-S38-38AA-78		ELGA-BS-70, EGC-BS-70, EGC-HD-BS-125					1		12.1	6000	0.01	600	39
EAMM-U-50-S38-40A-78												581	
EAMM-U-50-S38-40P-78	577												
EAMM-U-50-S38-42A-78	589												
EAMM-U-60-S38-40G-91		3	26.7	6000	0.07	1040							
EAMM-U-60-S38-40R-91						1150							
EAMM-U-60-S38-55A-91						990							
EAMM-U-60-S38-57A-91						1090							
EAMM-U-60-S38-57AC-91						1150							
EAMM-U-60-S38-58AA-91						1150							
EAMM-U-60-S38-50GA-91						1150							
EAMM-U-60-S38-60P-91						1120							
EAMM-U-60-S38-60RA-91						1150							
EAMM-U-60-S48-40G-91						ELGA-BS-80, EGC-BS-80, EGC-HD-BS-160						1110	
EAMM-U-60-S48-40R-91												1150	
EAMM-U-60-S48-50GA-91												1150	
EAMM-U-60-S48-55A-91												1060	
EAMM-U-60-S48-57A-91												1160	
EAMM-U-60-S48-58AA-91	1150												
EAMM-U-60-S48-60AA-91	1150												
EAMM-U-70-S48-60G-96		7	118	5000	0.18	1780	39						
EAMM-U-70-S48-60H-96						1780							
EAMM-U-70-S48-60P-96						1790							
EAMM-U-70-S48-60R-96						1790							
EAMM-U-70-S48-60RA-96						1760							
EAMM-U-70-S48-70A-96						1750							
EAMM-U-70-S48-70AA-96						1720							

## Datasheet

General technical data							
Type	For axis	Transferable torque [Nm]	Mass moment of inertia [kgmm <sup>2</sup> ]	Max. speed [rpm]	No-load driving torque [Nm]	Weight [g]	→ Page
EAMM-U-86-S48-58AA-102	ELGA-BS-80, EGC-BS-80	9.5	175	5000	0.25	2500	39
EAMM-U-86-S48-60G-102						2480	
EAMM-U-86-S48-60H-102						2470	
EAMM-U-86-S48-60P-102						2500	
EAMM-U-86-S48-60RB-102						2500	
EAMM-U-86-S48-70A-102						2440	
EAMM-U-86-S48-70AA-102						2430	
EAMM-U-86-S48-70GA-102						2500	
EAMM-U-86-S48-82AA-102						2500	
EAMM-U-86-S48-84AA-102						2600	
EAMM-U-86-S48-87A-102						2500	
EAMM-U-86-S48-58AA-177	EGC-HD-BS-160	9.5	175	5000	0.25	3300	39
EAMM-U-86-S48-60G-177						3300	
EAMM-U-86-S48-60P-177						3300	
EAMM-U-86-S48-60PA-177						3300	
EAMM-U-86-S48-60PB-177						3300	
EAMM-U-86-S48-70A-177						3160	
EAMM-U-86-S48-70AA-177						3170	
EAMM-U-86-S48-70GA-177						3300	
EAMM-U-86-S48-82AA-177						3300	
EAMM-U-86-S48-84AA-177						3340	
EAMM-U-86-S48-87A-177						3270	
EAMM-U-86-S60-60G-177	ELGD-BS-120	9.5	175	5000	0.25	3170	39
EAMM-U-86-S60-60H-177						3160	
EAMM-U-86-S60-70A-177						3140	
EAMM-U-86-S60-80P-177						3010	
EAMM-U-86-S60-82AA-177						3030	
EAMM-U-86-S60-84AA-177						3320	
EAMM-U-86-S60-87A-177	ELGA-BS-120, EGC-BS-120	9.5	175	5000	0.25	3210	39
EAMM-U-86-S62-60PA-102						2500	
EAMM-U-86-S62-70A-102						2960	
EAMM-U-86-S62-70AA-102						2950	
EAMM-U-86-S62-82AA-102						2500	
EAMM-U-86-S62-87A-102						2500	
EAMM-U-86-S62-55A-177	EGC-HD-BS-220	9.5	175	5000	0.25	3300	39
EAMM-U-86-S62-60G-177						3300	
EAMM-U-86-S62-60H-177						3290	
EAMM-U-86-S62-60PA-177						3300	
EAMM-U-86-S62-70A-177						3270	
EAMM-U-86-S62-70AA-177						3210	
EAMM-U-86-S62-70GA-177						3300	
EAMM-U-86-S62-80PB-177						3300	
EAMM-U-86-S62-80P-177						3130	
EAMM-U-86-S62-82AA-177						3300	
EAMM-U-86-S62-87A-177						3330	
EAMM-U-110-S60-90R-207	ELGD-BS-120	25	799	5000	0.3	6540	39
EAMM-U-110-S60-100A-207						6420	
EAMM-U-110-S62-84AA-120	ELGA-BS-120, EGC-BS-120	25	799	5000	0.3	5250	39
EAMM-U-110-S62-88A-120						5250	
EAMM-U-110-S62-84AA-207	EGC-HD-BS-220	25	799	5000	0.3	6900	39
EAMM-U-110-S62-88A-207						6900	
EAMM-U-110-S62-100A-207						6900	
EAMM-U-110-S95-80G-207	EGC-BS-185	25	799	5000	0.3	6940	39
EAMM-U-110-S95-90GA-207						6940	
EAMM-U-110-S95-84AA-207						6900	
EAMM-U-110-S95-100A-207						6810	

## Datasheet

General technical data							
Type	For axis	Transferable torque [Nm]	Mass moment of inertia [kgmm <sup>2</sup> ]	Max. speed [rpm]	No-load driving torque [Nm]	Weight [g]	→ Page
EAMM-U-145-S62-126AA-288	ELGA-BS-120,	50	2270	4000	2.0	15000	39
EAMM-U-145-S62-140A-288	EGC-BS-120,					15000	
EAMM-U-145-S62-150A-288	EGC-HD-BS-220					14600	
EAMM-U-145-S95-140A-288	EGC-BS-185					14900	
EAMM-U-145-S95-150A-288						14500	

Operating and environmental conditions		
Gear ratio		1:1
Ambient temperature	[°C]	-10 ... +60
Storage temperature	[°C]	-25 ... +60
Degree of protection <sup>1)</sup>		
EAMM-U-...		IP40
EAMM-U-...-S1		IP65
Relative humidity	[%]	0 ... 95
Corrosion resistance class CRC <sup>2)</sup>		2
Note on materials		RoHS-compliant
LABS (PWIS) conformity		VDMA24364-Zone III

1) Only in combination with attached motor and axis.

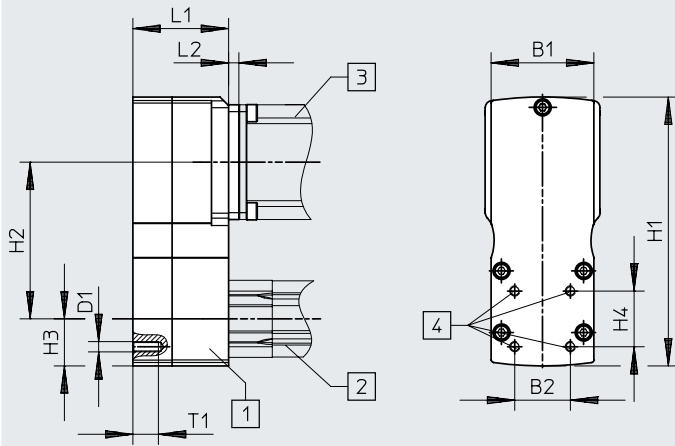
2) More information [www.festo.com/x/topic/crc](http://www.festo.com/x/topic/crc)

Datasheet

Dimensions and ordering data

Download CAD data → [www.festo.com](http://www.festo.com)

ESBF-BS...



Main illustration:

- [1] Parallel kit
- [2] Electric cylinder
- [3] Motor
- [4] Interface for mounting accessories
- [5] Only with EAMM-U-...-S1 (with degree of protection IP65)

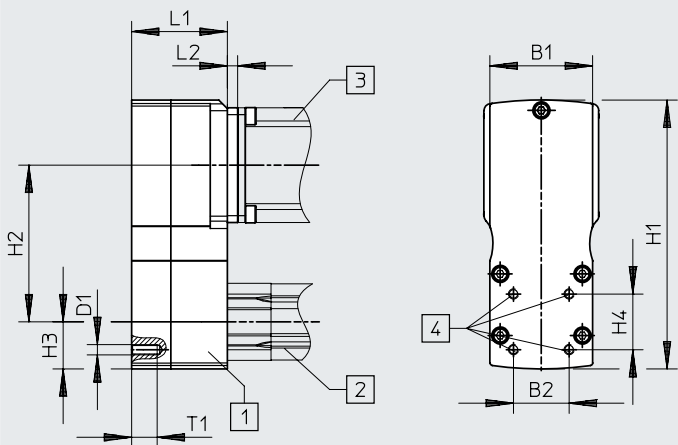
Type	B1	B2	D1	H1	H2 ±1	H3	H4	L1	L2	T1	Part no.	Type									
EAMM-U-50-D32-32B-78	50	32.5	M6	128.8	78	22.8	32.5	45	-	15	1570862	EAMM-U-50-D32-32B-78									
EAMM-U-50-D32-38AA-78											8058924	EAMM-U-50-D32-38AA-78									
EAMM-U-50-D32-40RA-78											8058925	EAMM-U-50-D32-40RA-78									
EAMM-U-50-D32-40A-78					1201591						EAMM-U-50-D32-40A-78										
EAMM-U-50-D32-40A-78-S1					1202302						EAMM-U-50-D32-40A-78-S1										
EAMM-U-50-D32-40P-48					8164734						EAMM-U-50-D32-40P-48										
EAMM-U-50-D32-40P-78					2153283						EAMM-U-50-D32-40P-78										
EAMM-U-50-D32-40P-78-S1					2154009						EAMM-U-50-D32-40P-78-S1										
EAMM-U-50-D32-42A-78					1201607						EAMM-U-50-D32-42A-78										
EAMM-U-50-D32-42A-78-S1					1202312						EAMM-U-50-D32-42A-78-S1										
EAMM-U-60-D32-40G-91					60						32.5	M6	157	91.5	27.5	32.5	56	8	15	1577358	EAMM-U-60-D32-40G-91
EAMM-U-60-D32-40G-91-S1	8.5	1577346	EAMM-U-60-D32-40G-91-S1																		
EAMM-U-60-D32-55A-91	38	-	-	-		-	-	-	-	1210126								EAMM-U-60-D32-55A-91			
EAMM-U-60-D32-55A-91-S1										1210450								EAMM-U-60-D32-55A-91-S1			
EAMM-U-60-D32-57A-91										1210419								EAMM-U-60-D32-57A-91			
EAMM-U-60-D32-57A-91-S1										1210453								EAMM-U-60-D32-57A-91-S1			
EAMM-U-60-D32-57AC-91										8058929								EAMM-U-60-D32-57AC-91			
EAMM-U-60-D32-58AA-91										8058930								EAMM-U-60-D32-58AA-91			
EAMM-U-60-D32-60RB-91										8058932								EAMM-U-60-D32-60RB-91			
EAMM-U-60-D32-60AA-91										8123498								EAMM-U-60-D32-60AA-91			
EAMM-U-60-D32-60P-91										8125069								EAMM-U-60-D32-60P-91			
EAMM-U-60-D32-60RA-91										8123497								EAMM-U-60-D32-60RA-91			
EAMM-U-60-D40-40G-91										38								-		-	-
EAMM-U-60-D40-40G-91-S1	8.5	1435968	EAMM-U-60-D40-40G-91-S1																		
EAMM-U-60-D40-40R-91	8058934	EAMM-U-60-D40-40R-91																			
EAMM-U-60-D40-50GA-91	8058935	EAMM-U-60-D40-50GA-91																			
EAMM-U-60-D40-55A-91	1210438	EAMM-U-60-D40-55A-91																			
EAMM-U-60-D40-55A-91-S1	1210458	EAMM-U-60-D40-55A-91-S1																			
EAMM-U-60-D40-57A-91	1210442	EAMM-U-60-D40-57A-91																			
EAMM-U-60-D40-57A-91-S1	1210462	EAMM-U-60-D40-57A-91-S1																			
EAMM-U-60-D40-57AC-91	8058939	EAMM-U-60-D40-57AC-91																			
EAMM-U-60-D40-58AA-91	8058940	EAMM-U-60-D40-58AA-91																			
EAMM-U-60-D40-60P-61	8164735	EAMM-U-60-D40-60P-61																			
EAMM-U-60-D40-60R-91	1210446	EAMM-U-60-D40-60R-91																			

Datasheet

Dimensions and ordering data

Download CAD data → [www.festo.com](http://www.festo.com)

ESBF-BS-...



- Main illustration:  
 [1] Parallel kit  
 [2] Electric cylinder  
 [3] Motor  
 [4] Interface for mounting accessories  
 [5] Only with EAMM-U-...-S1 (with degree of protection IP65)

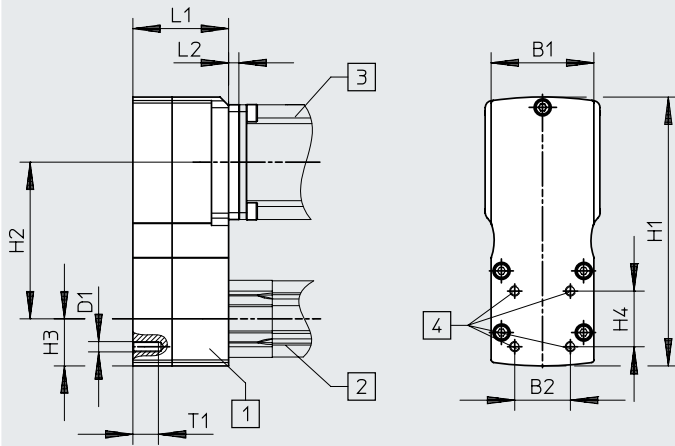
Type	B1	B2	D1	H1	H2 ±1	H3	H4	L1	L2	T1	Part no.	Type								
EAMM-U-70-D32-60G-96	70	32.5	M6	173.5	96	34.5	64.5	64.5	8	15	2748181	EAMM-U-70-D32-60G-96								
EAMM-U-70-D32-60G-96-S1									8.5		2778302	EAMM-U-70-D32-60G-96-S1								
EAMM-U-70-D32-60H-96									8		2778393	EAMM-U-70-D32-60H-96								
EAMM-U-70-D32-60H-96-S1									8.5		2781450	EAMM-U-70-D32-60H-96-S1								
EAMM-U-70-D32-60P-96									-		2619586	EAMM-U-70-D32-60P-96								
EAMM-U-70-D32-60P-96-S1											2619688	EAMM-U-70-D32-60P-96-S1								
EAMM-U-70-D32-68GA-96											8058951	EAMM-U-70-D32-68GA-96								
EAMM-U-70-D32-70A-96											2755565	EAMM-U-70-D32-70A-96								
EAMM-U-70-D32-70A-96-S1		2781711									EAMM-U-70-D32-70A-96-S1									
EAMM-U-70-D32-70AA-96		8123499									EAMM-U-70-D32-70AA-96									
EAMM-U-70-D40-60G-96		38									38	M8	173.5	96	34.5	46.5	8	15	2785471	EAMM-U-70-D40-60G-96
EAMM-U-70-D40-60G-96-S1																	8.5		2785542	EAMM-U-70-D40-60G-96-S1
EAMM-U-70-D40-60H-96									8								2786101		EAMM-U-70-D40-60H-96	
EAMM-U-70-D40-60H-96-S1									8.5								2786137		EAMM-U-70-D40-60H-96-S1	
EAMM-U-70-D40-60P-96									-								2617488		EAMM-U-70-D40-60P-96	
EAMM-U-70-D40-60P-96-S1																	2546123		EAMM-U-70-D40-60P-96-S1	
EAMM-U-70-D40-60RA-96	8058952		EAMM-U-70-D40-60RA-96																	
EAMM-U-70-D40-68GA-96	17		8058954	EAMM-U-70-D40-68GA-96																
EAMM-U-70-D40-70A-96	-		2786204	EAMM-U-70-D40-70A-96																
EAMM-U-70-D40-70A-96-S1			2786316	EAMM-U-70-D40-70A-96-S1																
EAMM-U-70-D50-60P-96	70	46.5	M8	173.5	96	34.5	46.5	66.5		-	15	8123171	EAMM-U-70-D50-60P-96							
EAMM-U-70-D50-60RA-96										8058963		EAMM-U-70-D50-60RA-96								
EAMM-U-70-D50-68GA-96									17	8058965		EAMM-U-70-D50-68GA-96								
EAMM-U-70-D50-70A-96									-	2786899		EAMM-U-70-D50-70A-96								
EAMM-U-70-D50-70A-96-S1										2756078		EAMM-U-70-D50-70A-96-S1								

Datasheet

Dimensions and ordering data

Download CAD data → [www.festo.com](http://www.festo.com)

ESBF-BS...



Main illustration:

- [1] Parallel kit
- [2] Electric cylinder
- [3] Motor
- [4] Interface for mounting accessories
- [5] Only with EAMM-U-...-S1 (with degree of protection IP65)

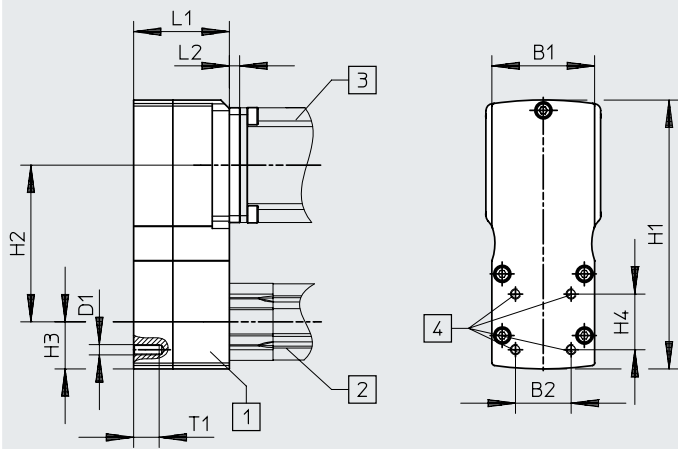
Type	B1	B2	D1	H1	H2 ±1	H3	H4	L1	L2	T1	Part no.	Type
EAMM-U-86-D40-60G-102	86	38	M6	188.5	102.5	38	38	69	8	16	1586445	EAMM-U-86-D40-60G-102
EAMM-U-86-D40-60G-102-S1									8.5		1586429	EAMM-U-86-D40-60G-102-S1
EAMM-U-86-D40-60H-102									8		1586496	EAMM-U-86-D40-60H-102
EAMM-U-86-D40-60H-102-S1									8.5		1586372	EAMM-U-86-D40-60H-102-S1
EAMM-U-86-D40-60PA-102											8058972	EAMM-U-86-D40-60PA-102
EAMM-U-86-D40-70A-102											1212826	EAMM-U-86-D40-70A-102
EAMM-U-86-D40-70A-102-S1											1212854	EAMM-U-86-D40-70A-102-S1
EAMM-U-86-D40-70AA-102											8058973	EAMM-U-86-D40-70AA-102
EAMM-U-86-D40-80P-102											2802441	EAMM-U-86-D40-80P-102
EAMM-U-86-D40-80P-102-S1											2802656	EAMM-U-86-D40-80P-102-S1
EAMM-U-86-D40-80PB-102									2		8123501	EAMM-U-86-D40-80PB-102
EAMM-U-86-D40-82AA-102									-		8058975	EAMM-U-86-D40-82AA-102
EAMM-U-86-D40-84AA-102									10.5		8058976	EAMM-U-86-D40-84AA-102
EAMM-U-86-D40-87A-102											1215802	EAMM-U-86-D40-87A-102
EAMM-U-86-D40-87A-102-S1											1215814	EAMM-U-86-D40-87A-102-S1
EAMM-U-86-D50-60G-102									86		46.5	M8
EAMM-U-86-D50-60G-102-S1	8.5	2803197	EAMM-U-86-D50-60G-102-S1									
EAMM-U-86-D50-60H-102	8	2803326	EAMM-U-86-D50-60H-102									
EAMM-U-86-D50-60H-102-S1	8.5	2803325	EAMM-U-86-D50-60H-102-S1									
EAMM-U-86-D50-70GA-102	14	8107044	EAMM-U-86-D50-70GA-102									
EAMM-U-86-D50-80P-102		2803053	EAMM-U-86-D50-80P-102									
EAMM-U-86-D50-80P-102-S1		2803073	EAMM-U-86-D50-80P-102-S1									
EAMM-U-86-D50-80PB-102	-	8107089	EAMM-U-86-D50-80PB-102									
EAMM-U-86-D50-87A-102		2802708	EAMM-U-86-D50-87A-102									
EAMM-U-86-D50-87A-102-S1		2802742	EAMM-U-86-D50-87A-102-S1									

Datasheet

Dimensions and ordering data

Download CAD data → [www.festo.com](http://www.festo.com)

ESBF-BS-...



Main illustration:

- [1] Parallel kit
- [2] Electric cylinder
- [3] Motor
- [4] Interface for mounting accessories
- [5] Only with EAMM-U-...-S1 (with degree of protection IP65)

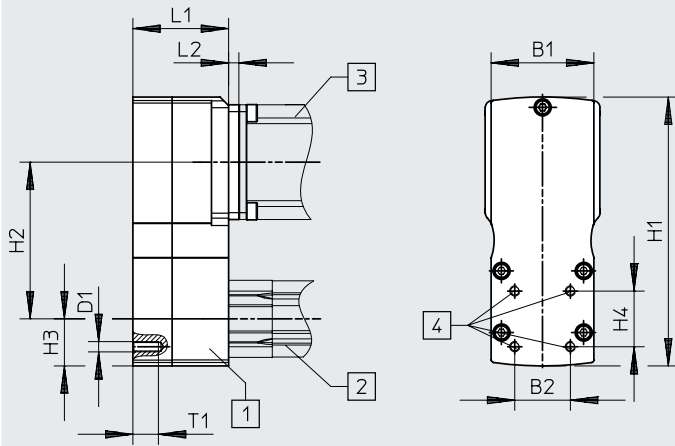
Type	B1	B2	D1	H1	H2 ±1	H3	H4	L1	L2	T1	Part no.	Type
EAMM-U-86-D60-55A-102								67			8058979	EAMM-U-86-D60-55A-102
EAMM-U-86-D60-57AA-102									-		8058980	EAMM-U-86-D60-57AA-102
EAMM-U-86-D60-58AA-102											8058981	EAMM-U-86-D60-58AA-102
EAMM-U-86-D60-60G-102									8		1586347	EAMM-U-86-D60-60G-102
EAMM-U-86-D60-60G-102-S1									8.5		1437163	EAMM-U-86-D60-60G-102-S1
EAMM-U-86-D60-60H-102									8		1586276	EAMM-U-86-D60-60H-102
EAMM-U-86-D60-60H-102-S1									8.5		1530837	EAMM-U-86-D60-60H-102-S1
EAMM-U-86-D60-60P-102											8058982	EAMM-U-86-D60-60P-102
EAMM-U-86-D60-60PA-102											8058983	EAMM-U-86-D60-60PA-102
EAMM-U-86-D60-60RB-102											8058986	EAMM-U-86-D60-60RB-102
EAMM-U-86-D60-70A-102											1212477	EAMM-U-86-D60-70A-102
EAMM-U-86-D60-70A-102-S1	86	56.5	M8	188.5	102.5	38	56.5	71		16	1212835	EAMM-U-86-D60-70A-102-S1
EAMM-U-86-D60-70AA-102											8058988	EAMM-U-86-D60-70AA-102
EAMM-U-86-D60-70GA-102									8		8058990	EAMM-U-86-D60-70GA-102
EAMM-U-86-D60-80P-102											2155875	EAMM-U-86-D60-80P-102
EAMM-U-86-D60-80P-102-G2											8234872	EAMM-U-86-D60-80P-102-G2
EAMM-U-86-D60-80P-102-S1											2156527	EAMM-U-86-D60-80P-102-S1
EAMM-U-86-D60-80P-102-S1-G2											8234873	EAMM-U-86-D60-80P-102-S1-G2
EAMM-U-86-D60-80PB-102											8107722	EAMM-U-86-D60-80PB-102
EAMM-U-86-D60-82AA-102											8058992	EAMM-U-86-D60-82AA-102
EAMM-U-86-D60-84AA-102									12		8058993	EAMM-U-86-D60-84AA-102
EAMM-U-86-D60-87A-102											1215784	EAMM-U-86-D60-87A-102
EAMM-U-86-D60-87A-102-S1											1215810	EAMM-U-86-D60-87A-102-S1

Datasheet

Dimensions and ordering data

Download CAD data → [www.festo.com](http://www.festo.com)

ESBF-BS...



Main illustration:

- [1] Parallel kit
- [2] Electric cylinder
- [3] Motor
- [4] Interface for mounting accessories
- [5] Only with EAMM-U-...-S1 (with degree of protection IP65)

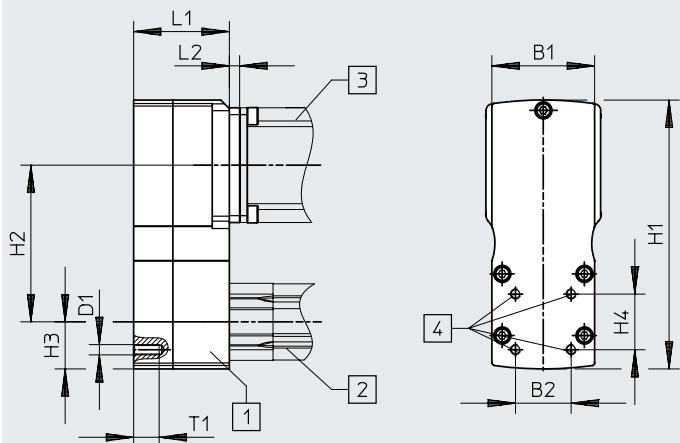
Type	B1	B2	D1	H1	H2 ±1	H3	H4	L1	L2	T1	Part no.	Type
EAMM-U-110-D50-60G-120	110	46.5	M8	225	120	45	46.5	82	8	16	2797368	EAMM-U-110-D50-60G-120
EAMM-U-110-D50-60G-120-S1									8.5		2798665	EAMM-U-110-D50-60G-120-S1
EAMM-U-110-D50-60H-120									8		2798760	EAMM-U-110-D50-60H-120
EAMM-U-110-D50-60H-120-S1									8.5		2799150	EAMM-U-110-D50-60H-120-S1
EAMM-U-110-D50-80G-120									10		2799196	EAMM-U-110-D50-80G-120
EAMM-U-110-D50-80G-120-S1									10.5		2799281	EAMM-U-110-D50-80G-120-S1
EAMM-U-110-D50-84AA-120									-		8107241	EAMM-U-110-D50-84AA-120
EAMM-U-110-D50-100A-120									-		2799424	EAMM-U-110-D50-100A-120
EAMM-U-110-D50-100A-120-S1									-		2799488	EAMM-U-110-D50-100A-120-S1
EAMM-U-110-D50-120GA-120									-		8059040	EAMM-U-110-D50-120GA-120
EAMM-U-110-D60-60G-120	110	56.5	M8	225	120	45	56.5	82	8	16	1543240	EAMM-U-110-D60-60G-120
EAMM-U-110-D60-60G-120-S1									8.5		1436183	EAMM-U-110-D60-60G-120-S1
EAMM-U-110-D60-60H-120									8		1542264	EAMM-U-110-D60-60H-120
EAMM-U-110-D60-60H-120-S1									8.5		1530621	EAMM-U-110-D60-60H-120-S1
EAMM-U-110-D60-80G-120									10		1532949	EAMM-U-110-D60-80G-120
EAMM-U-110-D60-80G-120-S1									10.5		1530875	EAMM-U-110-D60-80G-120-S1
EAMM-U-110-D60-84AA-120									-		8059043	EAMM-U-110-D60-84AA-120
EAMM-U-110-D60-88A-120									-		8059044	EAMM-U-110-D60-88A-120
EAMM-U-110-D60-90GA-120									16.5		8107723	EAMM-U-110-D60-90GA-120
EAMM-U-110-D60-100A-120									-		1202436	EAMM-U-110-D60-100A-120
EAMM-U-110-D60-100A-120-S1	-	1203112	EAMM-U-110-D60-100A-120-S1									
EAMM-U-110-D60-120GA-120	-	8059046	EAMM-U-110-D60-120GA-120									

Datasheet

Dimensions and ordering data

Download CAD data → [www.festo.com](http://www.festo.com)

ESBF-BS-...



Main illustration:

- [1] Parallel kit
- [2] Electric cylinder
- [3] Motor
- [4] Interface for mounting accessories
- [5] Only with EAMM-U-...-S1 (with degree of protection IP65)

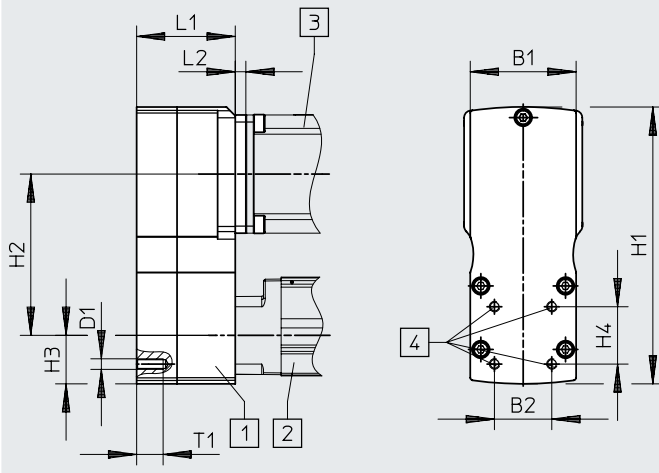
Type	B1	B2	D1	H1	H2 ±1	H3	H4	L1	L2	T1	Part no.	Type							
EAMM-U-110-D80-80G-120	110	72	M10	235	120	55	72	82	10	20.5	<b>1589614</b>	<b>EAMM-U-110-D80-80G-120</b>							
10.5									<b>1589706</b>		<b>EAMM-U-110-D80-80G-120-S1</b>								
																		<b>8059048</b>	<b>EAMM-U-110-D80-84AA-120</b>
																		<b>1465438</b>	<b>EAMM-U-110-D80-100A-120</b>
																		<b>1433650</b>	<b>EAMM-U-110-D80-100A-120-S1</b>
																		<b>8059050</b>	<b>EAMM-U-110-D80-120GA-120</b>
EAMM-U-145-D80-90GA-188	145	72	M10	348	188	70	72	99.5	15	25	<b>8105897</b>	<b>EAMM-U-145-D80-90GA-188</b>							
											<b>8059069</b>	<b>EAMM-U-145-D80-126AA-188</b>							
																		<b>1465530</b>	<b>EAMM-U-145-D80-140A-188</b>
																		<b>1433709</b>	<b>EAMM-U-145-D80-140A-188-S1</b>
																		<b>8157285</b>	<b>EAMM-U-145-D80-150A-188</b>
																		<b>8157286</b>	<b>EAMM-U-145-D80-150A-188-S1</b>
EAMM-U-145-D100-120G-188	145	89	M10	348	188	70	89	99.5	14	25	<b>2803620</b>	<b>EAMM-U-145-D100-120G-188</b>							
											<b>2803622</b>	<b>EAMM-U-145-D100-120G-188-S1</b>							
																		<b>1465541</b>	<b>EAMM-U-145-D100-140A-188</b>
																		<b>1433852</b>	<b>EAMM-U-145-D100-140A-188-S1</b>
																		<b>8157283</b>	<b>EAMM-U-145-D100-150A-188</b>
																		<b>8157284</b>	<b>EAMM-U-145-D100-150A-188-S1</b>

Datasheet

Dimensions and ordering data

Download CAD data → [www.festo.com](http://www.festo.com)

EGSL...



Main illustration:

- [1] Parallel kit
- [2] Mini slide
- [3] Motor
- [4] Interface for mounting accessories

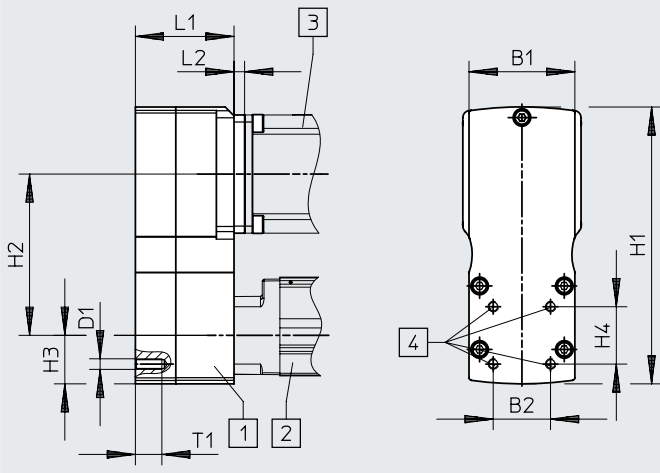
Type	B1	B2	D1	H1	H2 ±1	H3	H4	L1	L2	T1	Part no.	Type
EAMM-U-50-D19-38AA-78	50	32.5	M6	128.8	78	22.8	32.5	45	-	15	8107032	EAMM-U-50-D19-38AA-78
EAMM-U-50-D19-40R-78											8107034	EAMM-U-50-D19-40R-78
EAMM-U-50-D32-32B-78											1570862	EAMM-U-50-D32-32B-78
EAMM-U-50-D32-38AA-78											8058924	EAMM-U-50-D32-38AA-78
EAMM-U-50-D32-40RA-78											8058925	EAMM-U-50-D32-40RA-78
EAMM-U-50-D32-40A-78											1201591	EAMM-U-50-D32-40A-78
EAMM-U-50-D32-40P-48											8164734	EAMM-U-50-D32-40P-48
EAMM-U-50-D32-40P-78											2153283	EAMM-U-50-D32-40P-78
EAMM-U-50-D32-42A-78											1201607	EAMM-U-50-D32-42A-78
EAMM-U-60-D32-40G-91											60	32.5
EAMM-U-60-D32-55A-91	1210126	EAMM-U-60-D32-55A-91										
EAMM-U-60-D32-57A-91	1210419	EAMM-U-60-D32-57A-91										
EAMM-U-60-D32-57AC-91	8058929	EAMM-U-60-D32-57AC-91										
EAMM-U-60-D32-58AA-91	8058930	EAMM-U-60-D32-58AA-91										
EAMM-U-60-D32-60RB-91	8058932	EAMM-U-60-D32-60RB-91										
EAMM-U-60-D32-60AA-91	8123498	EAMM-U-60-D32-60AA-91										
EAMM-U-60-D32-60P-91	8125069	EAMM-U-60-D32-60P-91										
EAMM-U-60-D32-60RA-91	8123497	EAMM-U-60-D32-60RA-91										
EAMM-U-60-D40-40G-91	38						38	8		1577165		
EAMM-U-60-D40-40R-91								8058934		EAMM-U-60-D40-40R-91		
EAMM-U-60-D40-50GA-91								8058935		EAMM-U-60-D40-50GA-91		
EAMM-U-60-D40-55A-91								1210438		EAMM-U-60-D40-55A-91		

Datasheet

Dimensions and ordering data

Download CAD data → [www.festo.com](http://www.festo.com)

EGSL...



- Main illustration:
- [1] Parallel kit
  - [2] Mini slide
  - [3] Motor
  - [4] Interface for mounting accessories

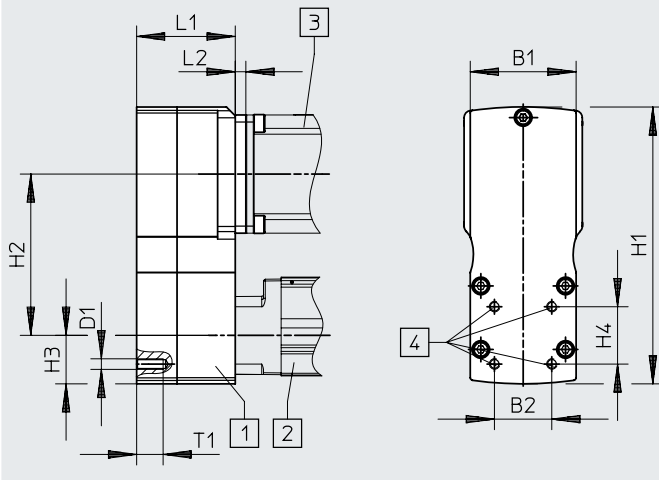
Type	B1	B2	D1	H1	H2 ±1	H3	H4	L1	L2	T1	Part no.	Type							
EAMM-U-60-D40-57A-91	60	38	M6	157	91.5	27.5	38	56	-	15	1210442	EAMM-U-60-D40-57A-91							
8058939											EAMM-U-60-D40-57AC-91								
8058940											EAMM-U-60-D40-58AA-91								
8164735											EAMM-U-60-D40-60P-61								
1210446											EAMM-U-60-D40-60R-91								
EAMM-U-70-D32-60G-96	70	32.5	M6	173.5	96	34.5	32.5	64.5	8	15	2748181	EAMM-U-70-D32-60G-96							
2778393											EAMM-U-70-D32-60H-96								
2619586											EAMM-U-70-D32-60P-96								
8058951											EAMM-U-70-D32-68GA-96								
2755565											EAMM-U-70-D32-70A-96								
8123499		EAMM-U-70-D32-70AA-96																	
EAMM-U-70-D40-60G-96		38					-		-		-	-	-	-	-	-	-	2785471	EAMM-U-70-D40-60G-96FDGF
2786101																		EAMM-U-70-D40-60H-96	
2617488																		EAMM-U-70-D40-60P-96	
8058952																		EAMM-U-70-D40-60RA-96	
8058954	EAMM-U-70-D40-68GA-96																		
EAMM-U-70-D40-70A-96	-	-	-	-	-	-	-	-	-	-	2786204	EAMM-U-70-D40-70A-96							

Datasheet

Dimensions and ordering data

Download CAD data → [www.festo.com](http://www.festo.com)

EGSL...



Main illustration:

- [1] Parallel kit
- [2] Mini slide
- [3] Motor
- [4] Interface for mounting accessories

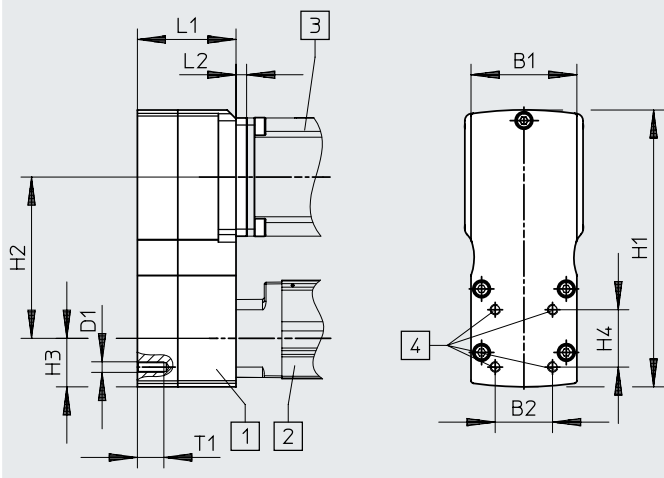
Type	B1	B2	D1	H1	H2 ±1	H3	H4	L1	L2	T1	Part no.	Type
EAMM-U-86-D40-60G-102	86	38	M6	188.5	102.5	38	38	69	8	16	1586445	EAMM-U-86-D40-60G-102
EAMM-U-86-D40-60H-102									8		1586496	EAMM-U-86-D40-60H-102
EAMM-U-86-D40-60PA-102											8058972	EAMM-U-86-D40-60PA-102
EAMM-U-86-D40-70A-102									-		1212826	EAMM-U-86-D40-70A-102
EAMM-U-86-D40-70AA-102											8058973	EAMM-U-86-D40-70AA-102
EAMM-U-86-D40-80P-102											2802441	EAMM-U-86-D40-80P-102
EAMM-U-86-D40-80PB-102									2		8123501	EAMM-U-86-D40-80PB-102
EAMM-U-86-D40-82AA-102									-		8058975	EAMM-U-86-D40-82AA-102
EAMM-U-86-D40-84AA-102									12		8058976	EAMM-U-86-D40-84AA-102
EAMM-U-86-D40-87A-102									-		1215802	EAMM-U-86-D40-87A-102
EAMM-U-86-D60-55A-102	86	56.5	M8	188.5	102.5	38	56.5	67	16	8058979	EAMM-U-86-D60-55A-102	
EAMM-U-86-D60-57AA-102								-		8058980	EAMM-U-86-D60-57AA-102	
EAMM-U-86-D60-58AA-102										8058981	EAMM-U-86-D60-58AA-102	
EAMM-U-86-D60-60G-102								8		1586347	EAMM-U-86-D60-60G-102	
EAMM-U-86-D60-60H-102								8		1586276	EAMM-U-86-D60-60H-102	
EAMM-U-86-D60-60P-102										8058982	EAMM-U-86-D60-60P-102	
EAMM-U-86-D60-60PA-102										8058983	EAMM-U-86-D60-60PA-102	
EAMM-U-86-D60-60RB-102								-		8058986	EAMM-U-86-D60-60RB-102	
EAMM-U-86-D60-70A-102										1212477	EAMM-U-86-D60-70A-102	
EAMM-U-86-D60-70AA-102										8058988	EAMM-U-86-D60-70AA-102	
EAMM-U-86-D60-70GA-102	8	8058990	EAMM-U-86-D60-70GA-102									

Datasheet

Dimensions and ordering data

Download CAD data → [www.festo.com](http://www.festo.com)

EGSL...



- Main illustration:  
 [1] Parallel kit  
 [2] Mini slide  
 [3] Motor  
 [4] Interface for mounting accessories

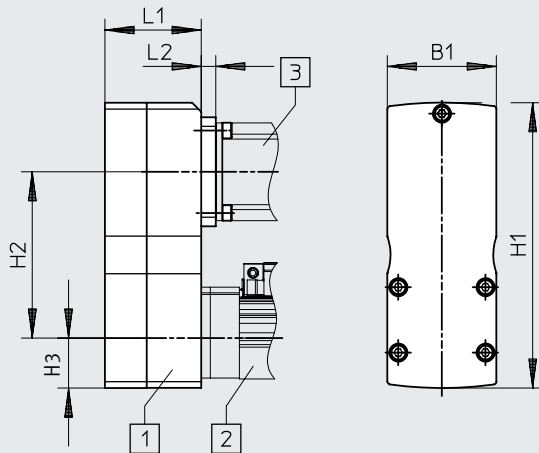
Type	B1	B2	D1	H1	H2 ±1	H3	H4	L1	L2	T1	Part no.	Type
EAMM-U-86-D60-80P-102	86	56.5	M8	188.5	102.5	38	56.5	71	-	16	2155875	EAMM-U-86-D60-80P-102
EAMM-U-86-D60-80P-102-G2											8234872	EAMM-U-86-D60-80P-102-G2
EAMM-U-86-D60-80PB-102											8107722	EAMM-U-86-D60-80PB-102
EAMM-U-86-D60-82AA-102											8058992	EAMM-U-86-D60-82AA-102
EAMM-U-86-D60-84AA-102											8058993	EAMM-U-86-D60-84AA-102
EAMM-U-86-D60-87A-102											1215784	EAMM-U-86-D60-87A-102
EAMM-U-110-D60-60G-120	110	56.5	M8	225	120	45	56.5	82	8	16	1543240	EAMM-U-110-D60-60G-120
EAMM-U-110-D60-60H-120											1542264	EAMM-U-110-D60-60H-120
EAMM-U-110-D60-62B-120											1536988	EAMM-U-110-D60-62B-120
EAMM-U-110-D60-80G-120											1532949	EAMM-U-110-D60-80G-120
EAMM-U-110-D60-84AA-120											8059043	EAMM-U-110-D60-84AA-120
EAMM-U-110-D60-88A-120											8059044	EAMM-U-110-D60-88A-120
EAMM-U-110-D60-90GA-120											8107723	EAMM-U-110-D60-90GA-120
EAMM-U-110-D60-100A-120											1202436	EAMM-U-110-D60-100A-120
EAMM-U-110-D60-120GA-120											8059046	EAMM-U-110-D60-120GA-120

## Datasheet

## Dimensions and ordering data

Download CAD data → [www.festo.com](http://www.festo.com)

ELGA-BS/EGC-BS/EGC-HD-BS



Main illustration:

- [1] Parallel kit
- [2] Ball screw axis
- [3] Motor

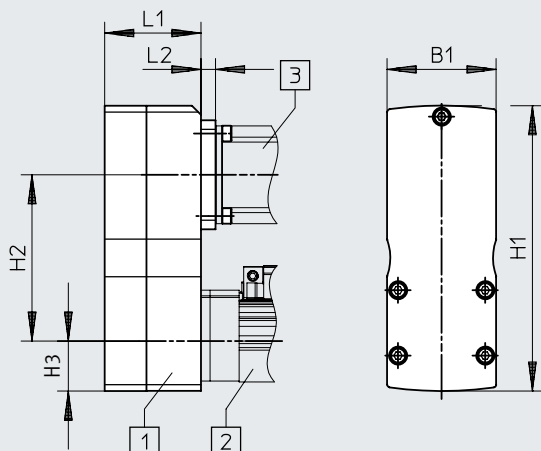
Type	B1	H1	H2 ±1	H3	L1	L2	Part no.	Type					
EAMM-U-50-S38-38AA-78	50	131	78	25	45	–	8058926	EAMM-U-50-S38-38AA-78					
EAMM-U-50-S38-40A-78	50	131	78	25	43	–	1217708	EAMM-U-50-S38-40A-78					
EAMM-U-50-S38-40P-78							2155239	EAMM-U-50-S38-40P-78					
EAMM-U-50-S38-42A-78							1217945	EAMM-U-50-S38-42A-78					
EAMM-U-60-S38-40G-91							2283732	EAMM-U-60-S38-40G-91					
EAMM-U-60-S38-40R-91	60	157	91.5	27.5	53	8	8058943	EAMM-U-60-S38-40R-91					
EAMM-U-60-S38-50GA-91						15.5	8107724	EAMM-U-60-S38-50GA-91					
EAMM-U-60-S38-55A-91						–	1218538	EAMM-U-60-S38-55A-91					
EAMM-U-60-S38-57A-91							1218568	EAMM-U-60-S38-57A-91					
EAMM-U-60-S38-57AC-91							8058946	EAMM-U-60-S38-57AC-91					
EAMM-U-60-S38-58AA-91						8058947	EAMM-U-60-S38-58AA-91						
EAMM-U-60-S38-60P-91						7	8125092	EAMM-U-60-S38-60P-91					
EAMM-U-60-S38-60RA-91						–	8058948	EAMM-U-60-S38-60RA-91					
EAMM-U-60-S48-40G-91						60	161.5	91.5	32	54	8	2283760	EAMM-U-60-S48-40G-91
EAMM-U-60-S48-40R-91											–	8058949	EAMM-U-60-S48-40R-91
EAMM-U-60-S48-50GA-91											14.5	8105900	EAMM-U-60-S48-50GA-91
EAMM-U-60-S48-55A-91	–	1219370	EAMM-U-60-S48-55A-91										
EAMM-U-60-S48-57A-91		1219379	EAMM-U-60-S48-57A-91										
EAMM-U-60-S48-58AA-91	8058950	EAMM-U-60-S48-58AA-91											
EAMM-U-60-S48-60AA-91	8	8105898	EAMM-U-60-S48-60AA-91										
EAMM-U-70-S48-60G-96	70	173.5	96	34.5	64.5						8	2801627	EAMM-U-70-S48-60G-96
EAMM-U-70-S48-60H-96						8	2801715	EAMM-U-70-S48-60H-96					
EAMM-U-70-S48-60P-96						–	2629253	EAMM-U-70-S48-60P-96					
EAMM-U-70-S48-60R-96						8	8105843	EAMM-U-70-S48-60R-96					
EAMM-U-70-S48-60RA-96						–	8058969	EAMM-U-70-S48-60RA-96					
EAMM-U-70-S48-70A-96							2787320	EAMM-U-70-S48-70A-96					
EAMM-U-70-S48-70AA-96							8058970	EAMM-U-70-S48-70AA-96					

Datasheet

Dimensions and ordering data

Download CAD data → [www.festo.com](http://www.festo.com)

ELGA-BS/EGC-BS/EGC-HD-BS/ELGD-BS



Main illustration:  
 [1] Parallel kit  
 [2] Ball screw axis  
 [3] Motor

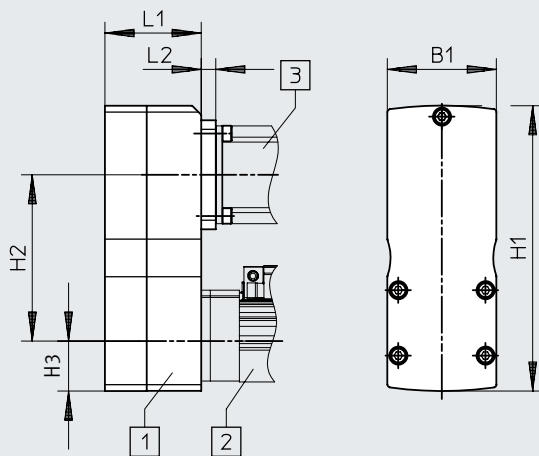
Type	B1	H1	H2 ±1	H3	L1	L2	Part no.	Type
EAMM-U-86-S48-58AA-102	86	188.5	102.5	38	67	-	8058995	EAMM-U-86-S48-58AA-102
EAMM-U-86-S48-60G-102						8	1587251	EAMM-U-86-S48-60G-102
EAMM-U-86-S48-60H-102						8	1587338	EAMM-U-86-S48-60H-102
EAMM-U-86-S48-60P-102						-	8058996	EAMM-U-86-S48-60P-102
EAMM-U-86-S48-60RB-102						-	8058997	EAMM-U-86-S48-60RB-102
EAMM-U-86-S48-70A-102						-	1217689	EAMM-U-86-S48-70A-102
EAMM-U-86-S48-70AA-102						-	8058999	EAMM-U-86-S48-70AA-102
EAMM-U-86-S48-70GA-102						8	8059000	EAMM-U-86-S48-70GA-102
EAMM-U-86-S48-82AA-102						-	8059002	EAMM-U-86-S48-82AA-102
EAMM-U-86-S48-84AA-102						12	8059003	EAMM-U-86-S48-84AA-102
EAMM-U-86-S48-87A-102	86	-	8059004	EAMM-U-86-S48-87A-102				
EAMM-U-86-S48-58AA-177	86	268.5	177.5	43	67	-	8059008	EAMM-U-86-S48-58AA-177
EAMM-U-86-S48-60G-177						8	8059009	EAMM-U-86-S48-60G-177
EAMM-U-86-S48-60P-177						-	8059011	EAMM-U-86-S48-60P-177
EAMM-U-86-S48-60PA-177						-	8059012	EAMM-U-86-S48-60PA-177
EAMM-U-86-S48-60RB-177						-	8059014	EAMM-U-86-S48-60RB-177
EAMM-U-86-S48-70A-177						-	8059016	EAMM-U-86-S48-70A-177
EAMM-U-86-S48-70AA-177						-	8059017	EAMM-U-86-S48-70AA-177
EAMM-U-86-S48-70GA-177						8	8059019	EAMM-U-86-S48-70GA-177
EAMM-U-86-S48-82AA-177						-	8059021	EAMM-U-86-S48-82AA-177
EAMM-U-86-S48-84AA-177						96	12	8059022
EAMM-U-86-S48-87A-177	86	-	★ 1217604	EAMM-U-86-S48-87A-177				
EAMM-U-86-S60-60G-177	86	263.6	177.5	38.1	71	10	8234874	EAMM-U-86-S60-60G-177
EAMM-U-86-S60-60H-177						10	8234875	EAMM-U-86-S60-60H-177
EAMM-U-86-S60-70A-177						-	8234876	EAMM-U-86-S60-70A-177
EAMM-U-86-S60-80P-177						-	8234877	EAMM-U-86-S60-80P-177
EAMM-U-86-S60-82AA-177						-	8234878	EAMM-U-86-S60-82AA-177
EAMM-U-86-S60-84AA-177						12	8234879	EAMM-U-86-S60-84AA-177
EAMM-U-86-S60-87A-177						-	8234880	EAMM-U-86-S60-87A-177

## Datasheet

## Dimensions and ordering data

Download CAD data → [www.festo.com](http://www.festo.com)

ELGA-BS/EGC-BS/EGC-HD-BS



Main illustration:

- [1] Parallel kit
- [2] Ball screw axis
- [3] Motor

Type	B1	H1	H2 ±1	H3	L1	L2	Part no.	Type
EAMM-U-86-S62-60PA-102	86	193.5	102.5	43	69	-	8059026	EAMM-U-86-S62-60PA-102
EAMM-U-86-S62-70A-102							8059027	EAMM-U-86-S62-70A-102
EAMM-U-86-S62-70AA-102							8059028	EAMM-U-86-S62-70AA-102
EAMM-U-86-S62-82AA-102							8059031	EAMM-U-86-S62-82AA-102
EAMM-U-86-S62-87A-102							8059032	EAMM-U-86-S62-87A-102
EAMM-U-86-S62-55A-177	86	268.5	177.5	43	69	-	8059033	EAMM-U-86-S62-55A-177
EAMM-U-86-S62-60G-177						8	1587411	EAMM-U-86-S62-60G-177
EAMM-U-86-S62-60H-177						8	1587453	EAMM-U-86-S62-60H-177
EAMM-U-86-S62-60PA-177						-	8059034	EAMM-U-86-S62-60PA-177
EAMM-U-86-S62-70A-177							1217543	EAMM-U-86-S62-70A-177
EAMM-U-86-S62-70AA-177						-	8059036	EAMM-U-86-S62-70AA-177
EAMM-U-86-S62-70GA-177						14.5	8105902	EAMM-U-86-S62-70GA-177
EAMM-U-86-S62-80P-177						-	2157004	EAMM-U-86-S62-80P-177
EAMM-U-86-S62-80PB-177						2	8105905	EAMM-U-86-S62-80PB-177
EAMM-U-86-S62-82AA-177						-	8059038	EAMM-U-86-S62-82AA-177
EAMM-U-86-S62-87A-177							1217373	EAMM-U-86-S62-87A-177
EAMM-U-110-S60-90R-207						110	312.5	207.5
EAMM-U-110-S60-100A-207	8234882	EAMM-U-110-S60-100A-207						
EAMM-U-110-S62-84AA-120	110	235	120	55	82	-	8059051	EAMM-U-110-S62-84AA-120
EAMM-U-110-S62-88A-120							8059052	EAMM-U-110-S62-88A-120
EAMM-U-110-S62-84AA-207	110	322.5	207.5	55	82	-	8059057	EAMM-U-110-S62-84AA-207
EAMM-U-110-S62-88A-207							8059058	EAMM-U-110-S62-88A-207
EAMM-U-110-S62-100A-207							1217381	EAMM-U-110-S62-100A-207
EAMM-U-110-S95-80G-207							10	1589544
EAMM-U-110-S95-84AA-207	-	8059063	EAMM-U-110-S95-84AA-207					
EAMM-U-110-S95-90GA-207	16.5	8105907	EAMM-U-110-S95-90GA-207					
EAMM-U-110-S95-100A-207	-	1220656	EAMM-U-110-S95-100A-207					
EAMM-U-145-S62-126AA-288	145	448	288	70	99.5	-	8059073	EAMM-U-145-S62-126AA-288
EAMM-U-145-S62-140A-288							1219440	EAMM-U-145-S62-140A-288
EAMM-U-145-S62-150A-288							8157287	EAMM-U-145-S62-150A-288
EAMM-U-145-S95-140A-288							1220582	EAMM-U-145-S95-140A-288
EAMM-U-145-S95-150A-288							8157288	EAMM-U-145-S95-150A-288

## Accessories

### Clamping component EADT

Material:

Polymer

RoHS-compliant

This enables high toothed belt pre-tension forces to be generated with low torques at the clamping component. Can only be used in combination with parallel kit EAMM-U-...-D/S.

For adjusting the toothed belt pre-tension with EAMM-U-110 and EAMM-U-145.

The motor is pushed away from the axis mechanism by turning the clamping component secured in a hole in the housing (the motor can be moved in a slot for this purpose).



### Ordering data

Type	Ambient temperature [°C]	Weight [g]	Part no.	Type
EADT-E-U1-110	-10 ... +60	9	<b>1461069</b>	<b>EADT-E-U1-110</b>

## Accessories

### Counter bearing EAMG

Material:

Wrought aluminium alloy

RoHS-compliant

A counter bearing EAMG reduces the load on the axis or motor bearings to improve the service life under high loads. For every counter bearing, an additional clamping sleeve EAMH-...-P is required.

Can only be used in combination with parallel kit EAMM-U-...-D/S.



Ordering data						
Type	For size	Max. speed [rpm]	Ambient temperature [°C]	Weight [g]	Part no.	Type
EAMG-U1-50	50	6000	-10 ... +60	20	1354281	EAMG-U1-50
EAMG-U1-60-G2	60	6000		35	4164963	EAMG-U1-60-G2
EAMG-U1-70	70	5000		74	2598638	EAMG-U1-70
EAMG-U1-86	86	5000		83	1354283	EAMG-U1-86
EAMG-U1-110	110	5000		169	1354284	EAMG-U1-110
EAMG-U1-145	145	4000		186	1354285	EAMG-U1-145

## Accessories

### Clamping sleeve EAMH-...-P, with trunnion

Material:

Corrosion-resistant steel

RoHS-compliant

Can only be used in combination with parallel kit EAMM-U-...-D/S.



To retrofit the counter bearing, the clamping sleeve without trunnion included in the parallel kit as standard must be replaced by the clamping sleeve EAMH-...-P with integrated trunnion. The appropriate clamping sleeve size for the counter bearing is determined by the size of the parallel kit.

Ordering data								
Type	For size	For shaft diameter, motor/ axis ø h7 ... k7	Max. speed [rpm]	Mass moment of inertia [kg mm <sup>2</sup> ]	Ambient temperature [°C]	Weight [g]	Part no.	Type
EAMH-50-5-C13.6-P	50	5	6000	0.39	-10 ... +60	20	1354092	EAMH-50-5-C13.6-P
EAMH-50-6-C13.6-P	50	6	6000	0.38		19	1354093	EAMH-50-6-C13.6-P
EAMH-50-8-C13.6-P	50	8	6000	0.35		16	1354094	EAMH-50-8-C13.6-P
EAMH-60-6-C18.1-P	60	6	6000	1.57		44	1354095	EAMH-60-6-C18.1-P
EAMH-60-6.35-C18.1-P	60	6.35	6000	1.56		43	1354096	EAMH-60-6.35-C18.1-P
EAMH-60-8-C18.1-P	60	8	6000	1.53		41	1354097	EAMH-60-8-C18.1-P
EAMH-60-9-C18.1-P	60	9	6000	1.5		39	1354098	EAMH-60-9-C18.1-P
EAMH-60-10-C18.1-P	60	10	6000	1.4		38	1545242	EAMH-60-10-C18.1-P
EAMH-60-11-C18.1-P	60	11	6000	1.31		35	2789343	EAMH-60-11-C18.1-P
EAMH-60-12-C18.1-P	60	12	6000	1.3		32	1354099	EAMH-60-12-C18.1-P
EAMH-86-6-C27.3-P	70, 86	6	5000	12.3		123	2789351	EAMH-86-6-C27.3-P
EAMH-86-8-C27.3-P	70, 86	8	5000	10.3		128	1354100	EAMH-86-8-C27.3-P
EAMH-86-9-C27.3-P	70, 86	9	5000	9		117	2789359	EAMH-86-9-C27.3-P
EAMH-86-10-C27.3-P	70, 86	10	5000	9		115	2789365	EAMH-86-10-C27.3-P
EAMH-86-11-C27.3-P	70, 86	11	5000	10.1	119	1354101	EAMH-86-11-C27.3-P	
EAMH-86-12-C27.3-P	70, 86	12	5000	10	115	1354102	EAMH-86-12-C27.3-P	
EAMH-86-14-C27.3-P	70, 86	14	5000	8.74	103	1459337	EAMH-86-14-C27.3-P	
EAMH-86-16-C27.3-P	70, 86	16	5000	8.3	95	2430402	EAMH-86-16-C27.3-P	
EAMH-86-19-C27.3-P	70, 86	19	5000	7.1	78	2406019	EAMH-86-19-C27.3-P	
EAMH-110-11-C34-P	110	11	5000	33.2	270	1545245	EAMH-110-11-C34-P	
EAMH-110-12-C34-P	110	12	5000	36.3	278	1354103	EAMH-110-12-C34-P	
EAMH-110-14-C34-P	110	14	5000	35.8	267	1354104	EAMH-110-14-C34-P	
EAMH-110-16-C34-P	110	16	5000	35.1	254	1354105	EAMH-110-16-C34-P	
EAMH-110-19-C34-P	110	19	5000	33.3	230	1354106	EAMH-110-19-C34-P	
EAMH-110-20-C34-P	110	20	5000	30.2	217	1545246	EAMH-110-20-C34-P	
EAMH-110-22-C34-P	110	22	5000	28.3	200	2430414	EAMH-110-22-C34-P	
EAMH-110-25-C34-P	110	25	5000	25.8	170	1354107	EAMH-110-25-C34-P	
EAMH-145-12-C34-P	145	12	4000	43.9	338	1354108	EAMH-145-12-C34-P	
EAMH-145-19-C34-P	145	19	4000	38	281	1459342	EAMH-145-19-C34-P	
EAMH-145-22-C34-P	145	22	4000	35.1	252	8098589	EAMH-145-22-C34-P	
EAMH-145-24-C34-P	145	24	4000	34	229	1354109	EAMH-145-24-C34-P	
EAMH-145-25-C34-P	145	25	4000	32.1	217	1354110	EAMH-145-25-C34-P	

## Accessories

### Clamping sleeve EAMH, without trunnion

Material:

Corrosion-resistant steel

RoHS-compliant

Clamping sleeves for adapting third-party motors with deviating shaft diameters to the parallel kits.

Can only be used in combination with parallel kit EAMM-U-...-D/S.



Ordering data								
Type	For size	For shaft diameter, motor/axis ø h7 ... k7	Max. speed [rpm]	Mass moment of inertia [kg mm <sup>2</sup> ]	Ambient temperature [°C]	Weight [g]	Part no.	Type
EAMH-50-5-C13.6	50	5	6000	0.44	-10 ... +60	19	2428478	EAMH-50-5-C13.6
EAMH-50-6-C13.6	50	6	6000	0.43		19	2428479	EAMH-50-6-C13.6
EAMH-50-8-C13.6	50	8	6000	0.40		16	2428480	EAMH-50-8-C13.6
EAMH-60-6-C18.1	60	6	6000	1.46		36	2428515	EAMH-60-6-C18.1
EAMH-60-6.35-C18.1	60	6.35	6000	1.46		36	2428516	EAMH-60-6.35-C18.1
EAMH-60-8-C18.1	60	8	6000	1.44		34	2428517	EAMH-60-8-C18.1
EAMH-60-9-C18.1	60	9	6000	1.42		32	2428518	EAMH-60-9-C18.1
EAMH-60-10-C18.1	60	10	6000	1.38		30	2428519	EAMH-60-10-C18.1
EAMH-60-11-C18.1	60	11	6000	1.31		28	2789160	EAMH-60-11-C18.1
EAMH-60-12-C18.1	60	12	6000	1.22		26	2428520	EAMH-60-12-C18.1
EAMH-60-14-C18.1	60	14	6000	1.03		21	8125353	EAMH-60-14-C18.1
EAMH-86-6-C27.3	70, 86	6	5000	10.2		122	2789214	EAMH-86-6-C27.3
EAMH-86-8-C27.3	70, 86	8	5000	10.3		119	2429531	EAMH-86-8-C27.3
EAMH-86-9-C27.3	70, 86	9	5000	11.6		116	2789221	EAMH-86-9-C27.3
EAMH-86-10-C27.3	70, 86	10	5000	10.1		114	2789230	EAMH-86-10-C27.3
EAMH-86-11-C27.3	70, 86	11	5000	10.2		112	2429532	EAMH-86-11-C27.3
EAMH-86-12-C27.3	70, 86	12	5000	10.1		109	2429533	EAMH-86-12-C27.3
EAMH-86-14-C27.3	70, 86	14	5000	9.9		102	2429534	EAMH-86-14-C27.3
EAMH-86-16-C27.3	70, 86	16	5000	9.5		94	2430397	EAMH-86-16-C27.3
EAMH-86-19-C27.3	70, 86	19	5000	8.2		76	2429535	EAMH-86-19-C27.3
EAMH-110-11-C34	110	11	5000	32.2	233	2429555	EAMH-110-11-C34	
EAMH-110-12-C34	110	12	5000	32.1	229	2429556	EAMH-110-12-C34	
EAMH-110-14-C34	110	14	5000	31.8	219	2429557	EAMH-110-14-C34	
EAMH-110-16-C34	110	16	5000	31.2	208	2429558	EAMH-110-16-C34	
EAMH-110-19-C34	110	19	5000	29.9	188	2429559	EAMH-110-19-C34	
EAMH-110-20-C34	110	20	5000	29.2	180	2429560	EAMH-110-20-C34	
EAMH-110-22-C34	110	22	5000	27.3	162	2430411	EAMH-110-22-C34	
EAMH-110-25-C34	110	25	5000	23.4	133	2429561	EAMH-110-25-C34	
EAMH-145-12-C34	145	12	4000	38.1	274	2429590	EAMH-145-12-C34	
EAMH-145-19-C34	145	19	4000	35.5	227	2429591	EAMH-145-19-C34	
EAMH-145-22-C34	145	22	4000	32.5	198	8098588	EAMH-145-22-C34	
EAMH-145-24-C34	145	24	4000	30.0	177	2429592	EAMH-145-24-C34	
EAMH-145-25-C34	145	25	4000	28.1	165	2429593	EAMH-145-25-C34	

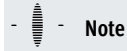
## Accessories

### Seal set

RoHS-compliant

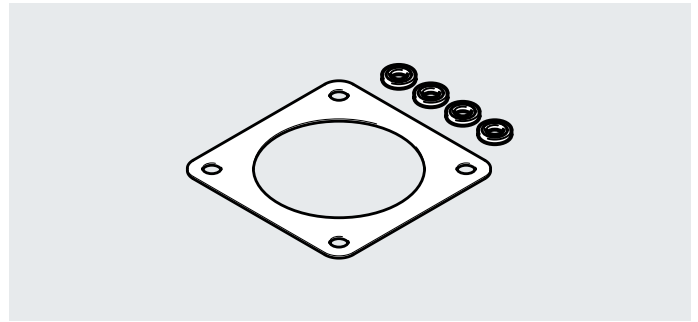
Spare part for degree of protection IP65. Seal between:

- Motor and parallel kit
- Motor and gear unit
- Motor and geometry of customer equipment



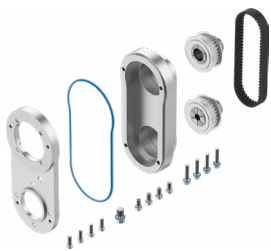
#### Note

The seal reduces the dissipation of heat between the motor and the flange. Note the derating of the motor.



Ordering data					
Type	For parallel kit	For motor/ integrated drive	Ambient temperature [°C]	Part no.	Type
EADS-F-40P	EAMM-U-50-D32-40P-78-S1	EMMT-AS-40	-25 ... +60	2481475	EADS-F-40P
EADS-F-60P	EAMM-U-70-D32-60P-96-S1 EAMM-U-70-D40-60P-96-S1	EMMT-AS-60	-25 ... +60	2481479	EADS-F-60P
EADS-F-80P	EAMM-U-86-D40-80P-102-S1 EAMM-U-86-D50-80P-102-S1 EAMM-U-86-D60-80P-102-S1	EMMT-AS-80	-25 ... +60	2481481	EADS-F-80P
EADS-F-100A	EAMM-U-110-D50-100A-120-S1 EAMM-U-110-D60-100A-120-S1 EAMM-U-110-D80-100A-120-S1	EMMT-AS-100	-25 ... +60	2481483	EADS-F-100A
EADS-F-150A	EAMM-U-145-D80-150A-188-S1 EAMM-U-145-D100-150A-188-S1	EMMT-AS-150	-25 ... +60	8142124	EADS-F-150A
EADS-F-190A		EMMT-AS-190		8149823	EADS-F-190A
EADS-F-42A	EAMM-U-50-D32-42A-78-S1	EMMT-ST-42, EMMB-ST-42	-25 ... +60	2481476	EADS-F-42A
EADS-F-57A	EAMM-U-60-D32-57A-91-S1 EAMM-U-60-D40-57A-91-S1	EMMT-ST-57, EMMB-ST-57	-25 ... +60	2481478	EADS-F-57A
EADS-F-87A	EAMM-U-86-D40-87A-102-S1 EAMM-U-86-D50-87A-102-S1 EAMM-U-86-D60-87A-102-S1	EMMT-ST-87, EMMB-ST-87	-25 ... +60	2481482	EADS-F-87A

## Overview of interfaces

**Axis mechanism interface**

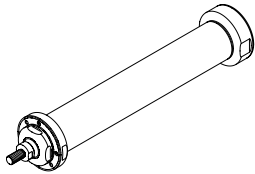
C42-6	EPRF-36
C42-8	EPRF-45
C50-10	EPRF-55
C68-16	EPRF-75
C80-19	EPRF-86

**Motor interface**

68C	EMMH-AS-68
88C	EMMH-AS-88
108C	EMMH-AS-108
138C	EMMH-AS-138

## Product range overview

### Permissible axis/motor combinations with electric cylinder EPRF



- The kit can be mounted in all directions

Motor <sup>1)</sup> Type	Motor interface	Parallel kit	
		Part no.	Type
<b>EPRF-36</b>			
<b>With servo motor</b>			
EMMH-AS-68-...	68C	8216596	EAMM-U-60-C42-6-68C-91-S5
<b>EPRF-45</b>			
<b>With servo motor</b>			
EMMH-AS-68-...	68C	8216597	EAMM-U-60-C42-8-68C-91-S5
<b>EPRF-55</b>			
<b>With servo motor</b>			
EMMH-AS-68-...	68C	8216598	EAMM-U-60-C50-8-68C-91-S5
EMMH-AS-88-...	88C	8216599	EAMM-U-86-C50-10-88C-102-S5
EMMH-AS-108-...	108C	8216600	EAMM-U-86-C50-10-108C-102-S5
<b>EPRF-75</b>			
<b>With servo motor</b>			
EMMH-AS-88-...	88C	8216601	EAMM-U-86-C68-16-88C-102-S5
EMMH-AS-108-...	108C	8216602	EAMM-U-110-C68-16-108C-120-S5
EMMH-AS-138-...	138C	8216603	EAMM-U-145-C68-16-138C-188-S5
<b>EPRF-86</b>			
<b>With servo motor</b>			
EMMH-AS-108-...	108C	8216604	EAMM-U-110-C80-19-108C-120-S5
EMMH-AS-138-...	138C	8216605	EAMM-U-145-C80-19-138C-188-S5

## Datasheet

### Material:

Housing: High-alloy stainless steel

Toothed belt: Polychloroprene with glass cord

Coupling hub: aluminium alloy

Screws: High-alloy stainless steel



General technical data							
Type	For axis	Transferable torque [Nm]	Mass moment of inertia [kgmm <sup>2</sup> ]	Max. speed [rpm]	No-load driving torque [Nm]	Weight [g]	→ Page
EAMM-U-60-C42-6-68C-91-S5	EPRF	3	27.6	6000	0.07	1.640	50
EAMM-U-60-C42-8-68C-91-S5		3	27.6	6000	0.07	1.640	
EAMM-U-60-C50-10-68C-91-S5		3	27.6	6000	0.07	1.890	
EAMM-U-86-C50-10-88C-102-S5		9.5	174.0	6000	0.25	2990	
EAMM-U-86-C50-10-108C-102-S5		9.5	174.0	6000	0.25	3390	
EAMM-U-86-C68-16-88C-102-S5		9.5	172.8	6000	0.25	4560	
EAMM-U-110-C68-16-108C-120-S5		25	794.1	5000	0.3	6180	
EAMM-U-110-C80-19-108C-120-S5		25	794.1	5000	0.3	7200	
EAMM-U-145-C68-16-138C-188-S5		50	2221	5000	2.0	10600	
EAMM-U-145-C80-19-138C-188-S5		50	2216	5000	2.0	11600	

### Operating and environmental conditions

Gear ratio	1:1
Ambient temperature [°C]	-10 ... +60
Storage temperature [°C]	-25 ... +60
Degree of protection <sup>1)</sup>	IP69K
Relative humidity [%]	0 ... 100
Corrosion resistance class CRC <sup>2)</sup>	4
Note on materials	RoHS-compliant
LABS (PWIS) conformity	VDMA24364-Zone III

1) Only in combination with attached motor and axis.

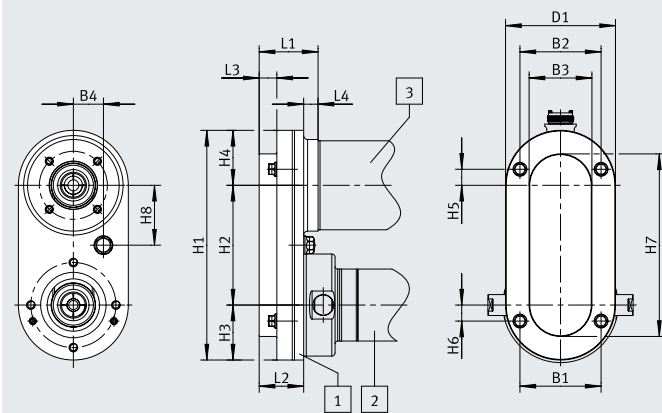
2) More information [www.festo.com/x/topic/crc](http://www.festo.com/x/topic/crc)

## Dimensions

### Dimensions and ordering data

Download CAD data → [www.festo.com](http://www.festo.com)

EPRF



Main illustration:

- [1] Parallel kit
- [2] Electric cylinder
- [3] Motor

Type	B1	B2	B3	B4	D1 ∅	H1	H2	H3	H4	H5
EAMM-U-60-C42-6-68C-91-S5	52	52	42	19.5	70	161.5	91.5	35	35	11.3
EAMM-U-60-C42-8-68C-91-S5	52	52	42	19.5	70	161.5	91.5	35	35	11.3
EAMM-U-60-C50-10-68C-91-S5	62	62	48	23	84	175.5	91.5	42	42	12.3
EAMM-U-86-C50-10-88C-102-S5	64	72	54	15	84	189.5	102.5	42	45	11.8
EAMM-U-86-C50-10-108C-102-S5	64	92	55	33	84	199.5	102.5	42	55	11.8
EAMM-U-86-C68-16-88C-102-S5	80	80	62	40	110	212.5	102.5	55	55	11.8
EAMM-U-110-C68-16-108C-120-S5	90	90	74	25	110	230	120	55	55	12
EAMM-U-145-C68-16-138C-188-S5	104	104	90	42	122	242	120	61	61	12
EAMM-U-110-C80-19-108C-120-S5	97	124	79.5	28	112	315	188	71	71	20
EAMM-U-145-C80-19-138C-188-S5	106	125	90	35	122	320	188	71	71	20

Type	H6	H7	H8	L1	L2	L3	L4	Part no.	Type
EAMM-U-60-C42-6-68C-91-S5	11.3	133.5	45.8	46	36	15	10	<b>8216596</b>	EAMM-U-60-C42-6-68C-91-S5
EAMM-U-60-C42-8-68C-91-S5	11.3	133.5	45.8	46	36	15	10	<b>8216597</b>	EAMM-U-60-C42-8-68C-91-S5
EAMM-U-60-C50-10-68C-91-S5	12.3	139.5	45.8	45	34.5	13.5	11	<b>8216598</b>	EAMM-U-60-C50-10-68C-91-S5
EAMM-U-86-C50-10-88C-102-S5	7.8	156.5	55.3	53	46.5	21	5	<b>8216599</b>	EAMM-U-86-C50-10-88C-102-S5
EAMM-U-86-C50-10-108C-102-S5	7.8	157.5	59.3	55	46.5	17.5	7	<b>8216600</b>	EAMM-U-86-C50-10-108C-102-S5
EAMM-U-86-C68-16-88C-102-S5	11.8	164.5	51.3	54.5	47	16	5	<b>8216601</b>	EAMM-U-86-C68-16-88C-102-S5
EAMM-U-110-C68-16-108C-120-S5	12	194	65	65.5	58	19	6	<b>8216602</b>	EAMM-U-110-C68-16-108C-120-S5
EAMM-U-145-C68-16-138C-188-S5	12	210	55	62.5	62.5	31	–	<b>8216603</b>	EAMM-U-145-C68-16-138C-188-S5
EAMM-U-110-C80-19-108C-120-S5	8	267.5	94	77	70.5	16	6	<b>8216604</b>	EAMM-U-110-C80-19-108C-120-S5
EAMM-U-145-C80-19-138C-188-S5	8	278	94	75	72.5	18	3	<b>8216605</b>	EAMM-U-145-C80-19-138C-188-S5

## Overview of interfaces

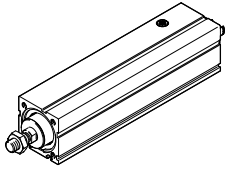


Axis mechanism interface	
V20	EPCC-25, EGSC-25
V25	EPCC-32, EGSC-32, ELGC-BS-32
V32	EPCC-45, EGSC-45, ELGC-BS-45
T42	EPCC-60, EGSC-60, ELGC-BS-60, ELGD-BS-60, ELGD-BS-WD-100, ELGD-BS-WD-120
T46	ELGC-BS-80, ELGT-BS-90/-120/-160, ELGD-BS-80

Motor interface	
28A	Stepper motor EMMS-ST-28
28AA	Third-party motor
35A	Third-party motor
35AB	Third-party motor
38AA	Third-party motor
40P	Servo motor EMMT-AS-40, EMMB-AS-40
40R	Third-party motor
40RA	Third-party motor
42A	Stepper motor EMMT-ST-42, EMMB-ST-42, third-party motor
42AA	Third-party motor
42AB	Third-party motor
55A	Third-party motor
57A	Stepper motor EMMT-ST-57, EMMB-ST-57, third-party motor
58AA	Third-party motor
60AA	Third-party motor
60AB	Third-party motor
60P	Servo motor EMMT-AS-60, EMMB-AS-60, third-party motor
60PA	Third-party motor
60R	Third-party motor
60RA	Third-party motor
70A	Third-party motor
70AA	Third-party motor
80P	Servo motor EMMT-AS-80, EMMB-AS-80, third-party motor
80PA	Third-party motor
80PB	Third-party motor
80RA	Third-party motor
85AA	Third-party motor
87A	Stepper motor EMMT-ST-87, EMMB-ST-87
100A	Servo motor EMMT-AS-100, third-party motor

## Product range overview

### Permissible axis/motor combinations with electric cylinder EPCC

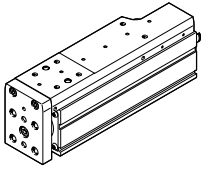


- The kit can be mounted in all directions
- Table of interfaces for third-party motors → from page 64

Motor <sup>1)</sup> Type	Motor interface	Parallel kit	
		Part no.	Type
<b>EPCC-25</b>			
<b>With stepper motor</b>			
EMMS-ST-28-...	28A	4767125	EAMM-U-30-V20-28A-44
Third-party motor	28AA	8093176	EAMM-U-30-V20-28AA-44
<b>EPCC-32</b>			
<b>With servo motor</b>			
Third-party motor	38AA	8093197	EAMM-U-45-V25-38AA-63
EMMT-AS-40-..., EMMB-AS-40-...	40P	4782056	EAMM-U-45-V25-40P-63
Third-party motor	40R	8091655	EAMM-U-45-V25-40R-63
Third-party motor	40RA	8095513	EAMM-U-45-V25-40RA-63
<b>With stepper motor</b>			
Third-party motor	35A, 35AB	8093286	EAMM-U-38-V25-35A-63
EMMT-ST-42-..., EMMB-ST-42-...	42A	4825645	EAMM-U-45-V25-42A-63
Third-party motor	42AB	8095562	EAMM-U-45-V25-42AB-63
<b>EPCC-45</b>			
<b>With servo motor</b>			
Third-party motor	38AA	8092623	EAMM-U-45-V32-38AA-63
EMMT-AS-40-..., EMMB-AS-40-...	40P	4718297	EAMM-U-45-V32-40P-63
Third-party motor	40R	8091631	EAMM-U-45-V32-40R-63
Third-party motor	40RA	8095650	EAMM-U-45-V32-40RA-63
<b>With stepper motor</b>			
EMMT-ST-42-..., EMMB-ST-42-...	42A	4280674	EAMM-U-45-V32-42A-63
Third-party motor	42AB	8095613	EAMM-U-45-V32-42AB-63
<b>EPCC-60</b>			
<b>With servo motor</b>			
EMMT-AS-40-..., EMMB-AS-40-...	40P	8223763	EAMM-U-65-T42-40P-87
Third-party motor	40R	8223764	EAMM-U-65-T42-40R-87
Third-party motor	55A, 58AA	8092868	EAMM-U-65-T42-55A-87
EMMT-AS-60-..., EMMB-AS-60, third-party motor	60P, 60PA	4784301	EAMM-U-65-T42-60P-87
Third-party motor	60R	8093364	EAMM-U-65-T42-60R-87
Third-party motor	60RA	8093199	EAMM-U-65-T42-60RA-87
<b>With stepper motor</b>			
EMMT-ST-57-..., EMMB-ST-57-...	57A	4331535	EAMM-U-65-T42-57A-87
Third-party motor	60AA	8093189	EAMM-U-65-T42-60AA-87
Third-party motor	60AB	8096187	EAMM-U-65-T42-60AB-87

## Product range overview

## Permissible axis/motor combinations with mini slide EGSC-BS



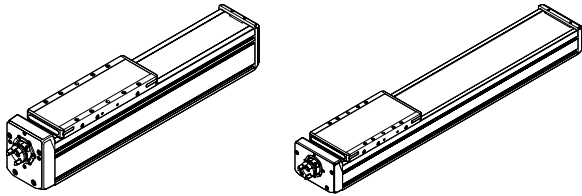
- The kit can be mounted in all directions
- Table of interfaces for third-party motors → from page 64

Motor <sup>1)</sup> Type	Motor interface	Parallel kit	
		Part no.	Type
<b>EGSC-25</b>			
<b>With stepper motor</b>			
EMMS-ST-28-...	28A	4767125	EAMM-U-30-V20-28A-44
Third-party motor	28AA	8093176	EAMM-U-30-V20-28AA-44
<b>EGSC-32</b>			
<b>With servo motor</b>			
Third-party motor	38AA	8093197	EAMM-U-45-V25-38AA-63
EMMT-AS-40-..., EMMB-AS-40-...	40P	4782056	EAMM-U-45-V25-40P-63
Third-party motor	40R	8091655	EAMM-U-45-V25-40R-63
Third-party motor	40RA	8095513	EAMM-U-45-V25-40RA-63
<b>With stepper motor</b>			
Third-party motor	35A, 35AB	8093286	EAMM-U-38-V25-35A-63
EMMT-ST-42-..., EMMB-ST-42-...	42A	4825645	EAMM-U-45-V25-42A-63
Third-party motor	42AB	8095562	EAMM-U-45-V25-42AB-63
<b>EGSC-45</b>			
<b>With servo motor</b>			
Third-party motor	38AA	8092623	EAMM-U-45-V32-38AA-63
EMMT-AS-40-..., EMMB-AS-40-...	40P	4718297	EAMM-U-45-V32-40P-63
Third-party motor	40R	8091631	EAMM-U-45-V32-40R-63
Third-party motor	40RA	8095650	EAMM-U-45-V32-40RA-63
<b>With stepper motor</b>			
EMMT-ST-42-..., EMMB-ST-42-...	42A	4280674	EAMM-U-45-V32-42A-63
Third-party motor	42AB	8095613	EAMM-U-45-V32-42AB-63
<b>EGSC-60</b>			
<b>With servo motor</b>			
EMMT-AS-40-..., EMMB-AS-40-...	40P	8223763	EAMM-U-65-T42-40P-87
Third-party motor	40R	8223764	EAMM-U-65-T42-40R-87
Third-party motor	55A, 58AA	8092868	EAMM-U-65-T42-55A-87
EMMT-AS-60-..., EMMB-AS-60, third-party motor	60P, 60PA	4784301	EAMM-U-65-T42-60P-87
Third-party motor	60R	8093364	EAMM-U-65-T42-60R-87
Third-party motor	60RA	8093199	EAMM-U-65-T42-60RA-87
<b>With stepper motor</b>			
EMMT-ST-57-..., EMMB-ST-57-...	57A	4331535	EAMM-U-65-T42-57A-87
Third-party motor	60AA	8093189	EAMM-U-65-T42-60AA-87
Third-party motor	60AB	8096187	EAMM-U-65-T42-60AB-87

1) The input torque must not exceed the max. permissible transferable torque of the parallel kit.

## Product range overview

### Permitted axis/motor combinations with ball screw axis ELGD-BS



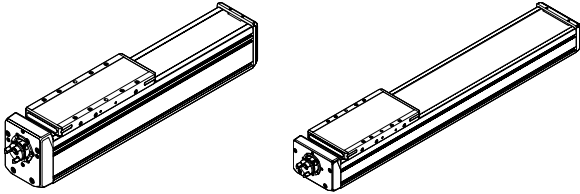
- The kit can be mounted in all directions
- Table of interfaces for third-party motors → from page 64

Motor <sup>1)</sup> Type	Motor interface	Parallel kit	
		Part no.	Type
<b>ELGD-BS-...-60</b>			
<b>With servo motor</b>			
EMMT-AS-40-..., EMMB-AS-40-...	40P	8223763	EAMM-U-65-T42-40P-87
Third-party motor	40R	8223764	EAMM-U-65-T42-40R-87
Third-party motor	55A, 58AA	8092868	EAMM-U-65-T42-55A-87
EMMT-AS-60-..., EMMB-AS-60-..., third-party motor	60P, 60PA	4784301	EAMM-U-65-T42-60P-87
Third-party motor	60R	8093364	EAMM-U-65-T42-60R-87
Third-party motor	60RA	8093199	EAMM-U-65-T42-60RA-87
EMMT-AS-80-..., EMMB-AS-80-...	80P, 80PA, 80RA	8223765	EAMM-U-87-T42-80P-114
Third-party motor	82AA	8223777	EAMM-U-87-T42-82AA-147
Third-party motor	84AA	8223780	EAMM-U-87-T42-84AA-147
<b>With servo motor and gear unit</b>			
EMMT-AS-40-..., EMMB-AS-40-... EMGA-40-P-...-EAS-40	40G	8222171	EAMM-U-65-T42-40G-114
<b>With servo motor and right-angle gear unit</b>			
EMMT-AS-40-..., EMMB-AS-40-... EMGA-40-A-...-40P	40G	8222171	EAMM-U-65-T42-40G-114
<b>With stepper motor</b>			
EMMT-ST-57-..., EMMB-ST-57-...	57A	4331535	EAMM-U-65-T42-57A-87
Third-party motor	60AA	8093189	EAMM-U-65-T42-60AA-87
Third-party motor	60AB	8096187	EAMM-U-65-T42-60AB-87
EMMT-ST-87-..., EMMB-ST-87-...	87A	8223768	EAMM-U-87-T42-87A-114
<b>With stepper motor and gear unit</b>			
EMMT-ST-42, EMMB-ST-42-... EMGA-40-P-...-SST-42	40G	8222171	EAMM-U-65-T42-40G-114
<b>ELGD-BS-...-WD-100</b>			
<b>With servo motor</b>			
EMMT-AS-40-..., EMMB-AS-40-...	40P	8222172	EAMM-U-65-T42-40P-114
Third-party motor	40R	8222173	EAMM-U-65-T42-40R-114
Third-party motor	55A, 58AA	8222165	EAMM-U-65-T42-55A-114
EMMT-AS-60-..., EMMB-AS-60-..., third-party motor	60P, 60PA	8222167	EAMM-U-65-T42-60P-114
Third-party motor	60R	8222168	EAMM-U-65-T42-60R-114
Third-party motor	60RA	8222170	EAMM-U-65-T42-60RA-114
EMMT-AS-80-..., EMMB-AS-80-...	80P, 80PA, 80RA	8223765	EAMM-U-87-T42-80P-114
Third-party motor	82AA	8223777	EAMM-U-87-T42-82AA-147
Third-party motor	84AA	8223780	EAMM-U-87-T42-84AA-147
<b>With servo motor and gear unit</b>			
EMMT-AS-40-..., EMMB-AS-40-... EMGA-40-P-...-EAS-40	40G	8222171	EAMM-U-65-T42-40G-114
<b>With servo motor and right-angle gear unit</b>			
EMMT-AS-40-..., EMMB-AS-40-... EMGA-40-A-...-40P	40G	8222171	EAMM-U-65-T42-40G-114

1) The input torque must not exceed the max. permissible transferable torque of the parallel kit.

## Product range overview

## Permitted axis/motor combinations with ball screw axis ELGD-BS



- The kit can be mounted in all directions
- Table of interfaces for third-party motors → from page 64

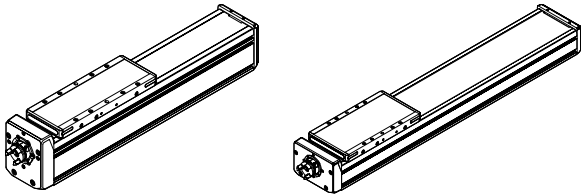
Motor <sup>1)</sup> Type	Motor interface	Parallel kit	
		Part no.	Type
<b>ELGD-BS-...-WD-100</b>			
<b>With stepper motor</b>			
EMMT-ST-57-..., EMMB-ST-57-...	57A	8222166	EAMM-U-65-T42-57A-114
EMMT-ST-87-..., EMMB-ST-87-...	87A	8223768	EAMM-U-87-T42-87A-114
<b>With stepper motor and gear unit</b>			
EMMT-ST-42, EMMB-ST-42-... EMGA-40-P-...-SST-42	40G	8222171	EAMM-U-65-T42-40G-114
<b>ELGD-BS-...-80</b>			
<b>With servo motor</b>			
EMMT-AS-60-..., EMMB-AS-60	60P, 60PA	4824069	EAMM-U-87-T46-60P-114
Third-party motor	70A	8092891	EAMM-U-87-T46-70A-114
Third-party motor	70AA, 70AB	8096220	EAMM-U-87-T46-70AA-114
EMMT-AS-80-..., EMMB-AS-80	80P, 80PA, 80RA	4822696	EAMM-U-87-T46-80P-114
Third-party motor	80PB, 80R	8096289	EAMM-U-87-T46-80PB-114
Third-party motor	82AA	8223789	EAMM-U-87-T46-82AA-147
Third-party motor	84AA	8223786	EAMM-U-87-T46-84AA-147
<b>With stepper motor</b>			
Third-party motor	85AA	8097655	EAMM-U-87-T46-85AA-114
EMMT-ST-87-..., EMMB-ST-87-...	87A	4819278	EAMM-U-87-T46-87A-114
<b>ELGD-BS-...-120</b>			
<b>With servo motor</b>			
Third-party motor	70A	8234876	EAMM-U-86-S60-70A-177
EMMT-AS-80-..., EMMB-AS-80	80P, 80PA, 80RA	8234877	EAMM-U-86-S60-80P-177
Third-party motor	82AA	8234878	EAMM-U-86-S60-82AA-177
Third-party motor	84AA	8234879	EAMM-U-86-S60-84AA-177
Third-party motor	90R	8234881	EAMM-U-110-S60-90R-207
EMMT-AS-100-..., EMMB-AS-100	100A	8234882	EAMM-U-110-S60-100A-207
<b>With stepper motor</b>			
EMMT-ST-87-..., EMMB-ST-87-...	87A	8234880	EAMM-U-86-S60-87A-177
<b>With servo motor and gear unit</b>			
EMMT-AS-60-..., EMMB-AS-60 EMGA-60-P-...-EAS <sup>2)</sup> , EMGC-60-P-... <sup>2)</sup> , third-party gear unit <sup>2)</sup>	60H	8234875	EAMM-U-86-S60-60H-177
<b>With stepper motor and gear unit</b>			
EMMT-ST-57-..., EMMB-ST-57-... EMGA-60-P-...-SST <sup>2)</sup>	60G	8234874	EAMM-U-86-S60-60G-177

1) The input torque must not exceed the max. permissible transferable torque of the parallel kit.

2) Gear unit output shaft diameter: EMGA-60-P-...SAS/SST: 11 mm; EMGA-60-P-...EAS, EMGC-60-P: 14 mm

## Product range overview

### Permitted axis/motor combinations with ball screw axis ELGD-BS



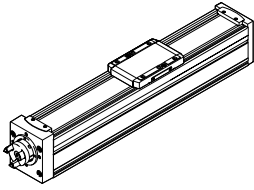
- The kit can be mounted in all directions
- Table of interfaces for third-party motors → from page 64

Motor <sup>1)</sup> Type	Motor interface	Parallel kit	
		Part no.	Type
<b>ELGD-BS-...-WD-120</b>			
<b>With servo motor</b>			
EMMT-AS-40-..., EMMB-AS-40-...	40P	8222172	EAMM-U-65-T42-40P-114
Third-party motor	40R	8222173	EAMM-U-65-T42-40R-114
Third-party motor	55A, 58AA	8222165	EAMM-U-65-T42-55A-114
EMMT-AS-60-..., EMMB-AS-60-..., third-party motor	60P, 60PA	8222167	EAMM-U-65-T42-60P-114
Third-party motor	60R	8222168	EAMM-U-65-T42-60R-114
Third-party motor	60RA	8222170	EAMM-U-65-T42-60RA-114
EMMT-AS-80-..., EMMB-AS-80-...	80P, 80PA, 80RA	8223774	EAMM-U-87-T42-80P-147
Third-party motor	82AA	8223777	EAMM-U-87-T42-82AA-147
Third-party motor	84AA	8223780	EAMM-U-87-T42-84AA-147
<b>With servo motor and gear unit</b>			
EMMT-AS-40-..., EMMB-AS-40-... EMGA-40-P-...-EAS-40	40G	8222171	EAMM-U-65-T42-40G-114
<b>With servo motor and right-angle gear unit</b>			
EMMT-AS-40-..., EMMB-AS-40-... EMGA-40-A-...-40P	40G	8222171	EAMM-U-65-T42-40G-114
<b>With stepper motor</b>			
EMMT-ST-57-..., EMMB-ST-57-...	57A	8222166	EAMM-U-65-T42-57A-114
EMMT-ST-87-..., EMMB-ST-87-...	87A	8223783	EAMM-U-87-T42-87A-147
<b>With stepper motor and gear unit</b>			
EMMT-ST-42, EMMB-ST-42-... EMGA-40-P-...-SST-42	40G	8222171	EAMM-U-65-T42-40G-114

1) The input torque must not exceed the max. permissible transferable torque of the parallel kit.

## Product range overview

## Permitted axis/motor combinations with ball screw axis ELGC-BS



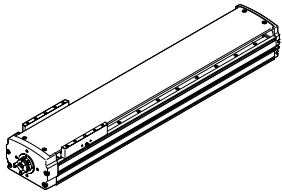
- The kit can be mounted in all directions
- Table of interfaces for third-party motors → from page 64

Motor <sup>1)</sup> Type	Motor interface	Parallel kit	
		Part no.	Type
<b>ELGC-BS-32</b>			
<b>With servo motor</b>			
Third-party motor	38AA	8093197	EAMM-U-45-V25-38AA-63
EMMT-AS-40-..., EMMB-AS-40-...	40P	4782056	EAMM-U-45-V25-40P-63
Third-party motor	40R	8091655	EAMM-U-45-V25-40R-63
Third-party motor	40RA	8095513	EAMM-U-45-V25-40RA-63
<b>With stepper motor</b>			
Third-party motor	35A, 35AB	8093286	EAMM-U-38-V25-35A-63
EMMT-ST-42-..., EMMB-ST-42-...	42A	4825645	EAMM-U-45-V25-42A-63
Third-party motor	42AB	8095562	EAMM-U-45-V25-42AB-63
<b>ELGC-BS-45</b>			
<b>With servo motor</b>			
Third-party motor	38AA	8092623	EAMM-U-45-V32-38AA-63
EMMT-AS-40-..., EMMB-AS-40-...	40P	4718297	EAMM-U-45-V32-40P-63
Third-party motor	40R	8091631	EAMM-U-45-V32-40R-63
Third-party motor	40RA	8095650	EAMM-U-45-V32-40RA-63
<b>With stepper motor</b>			
EMMT-ST-42-..., EMMB-ST-42-...	42A	4280674	EAMM-U-45-V32-42A-63
Third-party motor	42AB	8095613	EAMM-U-45-V32-42AB-63
<b>ELGC-BS-60</b>			
<b>With servo motor</b>			
EMMT-AS-40-..., EMMB-AS-40-...	40P	8223763	EAMM-U-65-T42-40P-87
Third-party motor	40R	8223764	EAMM-U-65-T42-40R-87
Third-party motor	55A, 58AA	8092868	EAMM-U-65-T42-55A-87
EMMT-AS-60-..., EMMB-AS-60, third-party motor	60P, 60PA	4784301	EAMM-U-65-T42-60P-87
Third-party motor	60R	8093364	EAMM-U-65-T42-60R-87
Third-party motor	60RA	8093199	EAMM-U-65-T42-60RA-87
<b>With stepper motor</b>			
EMMT-ST-57-..., EMMB-ST-57-...	57A	4331535	EAMM-U-65-T42-57A-87
Third-party motor	60AA	8093189	EAMM-U-65-T42-60AA-87
Third-party motor	60AB	8096187	EAMM-U-65-T42-60AB-87
<b>ELGC-BS-80</b>			
<b>With servo motor</b>			
EMMT-AS-60-..., EMMB-AS-60	60P, 60PA	4824069	EAMM-U-87-T46-60P-114
Third-party motor	70A	8092891	EAMM-U-87-T46-70A-114
Third-party motor	70AA, 70AB	8096220	EAMM-U-87-T46-70AA-114
EMMT-AS-80-..., EMMB-AS-80	80P, 80PA, 80RA	4822696	EAMM-U-87-T46-80P-114
Third-party motor	80PB, 80R	8096289	EAMM-U-87-T46-80PB-114
Third-party motor	85AA	8097655	EAMM-U-87-T46-85AA-114
Third-party motor	82AA	8223789	EAMM-U-87-T46-82AA-147
Third-party motor	84AA	8223786	EAMM-U-87-T46-84AA-147
<b>With stepper motor</b>			
EMMT-ST-87-..., EMMB-ST-87-...	87A	4819278	EAMM-U-87-T46-87A-114

1) The input torque must not exceed the max. permissible transferable torque of the parallel kit.

## Product range overview

### Permitted axis/motor combinations with ball screw axis ELGT-BS



- The kit can be mounted in all directions
- Table of interfaces for third-party motors → from page 64

Motor <sup>1)</sup> Type	Motor interface	Parallel kit	
		Part no.	Type
<b>ELGT-BS-90</b>			
<b>With servo motor</b>			
EMMT-AS-60-..., EMMB-AS-60	60P, 60PA	4824069	EAMM-U-87-T46-60P-114
Third-party motor	60R	8126171	EAMM-U-87-T46-60R-114
Third-party motor	60RA	8126172	EAMM-U-87-T46-60RA-114
Third-party motor	70A	8092891	EAMM-U-87-T46-70A-114
Third-party motor	70AA, 70AB	8096220	EAMM-U-87-T46-70AA-114
EMMT-AS-80-..., EMMB-AS-80	80P, 80PA, 80RA	4822696	EAMM-U-87-T46-80P-114
Third-party motor	80PB, 80R	8096289	EAMM-U-87-T46-80PB-114
Third-party motor	85AA	8097655	EAMM-U-87-T46-85AA-114
Third-party motor	82AA	8223789	EAMM-U-87-T46-82AA-147
Third-party motor	84AA	8223786	EAMM-U-87-T46-84AA-147
<b>With stepper motor</b>			
EMMT-ST-87, EMMB-ST-87-...	87A	4819278	EAMM-U-87-T46-87A-114
<b>ELGT-BS-120/-160</b>			
<b>With servo motor</b>			
EMMT-AS-60-..., EMMB-AS-60	60P, 60PA	8126161	EAMM-U-87-T46-60P-147
Third-party motor	60R	8126162	EAMM-U-87-T46-60R-147
Third-party motor	60RA	8126163	EAMM-U-87-T46-60RA-147
Third-party motor	70A	8126165	EAMM-U-87-T46-70A-147
Third-party motor	70AA, 70AB	8126166	EAMM-U-87-T46-70AA-147
EMMT-AS-80-..., EMMB-AS-80	80P, 80PA, 80RA	8126167	EAMM-U-87-T46-80P-147
Third-party motor	80PB, 80R	8126168	EAMM-U-87-T46-80PB-147
Third-party motor	82AA	8223789	EAMM-U-87-T46-82AA-147
Third-party motor	84AA	8223786	EAMM-U-87-T46-84AA-147
Third-party motor	85AA	8126169	EAMM-U-87-T46-85AA-147
<b>With stepper motor</b>			
EMMT-ST-87-..., EMMB-ST-87-...	87A	8126170	EAMM-U-87-T46-87A-147

1) The input torque must not exceed the max. permissible transferable torque of the parallel kit.

## Datasheet

Material:

Housing and coupling hub: Wrought aluminium alloy

Toothed belt pulley: Sintered steel

Toothed belt: Polychloroprene

Screws: Steel



General technical data							
Type	For axis	Transferable torque [Nm]	Mass moment of inertia [kgmm <sup>2</sup> ]	Max. speed [rpm]	No-load driving torque [Nm]	Weight [g]	→ Page
EAMM-U-30-V20-28A-44	EPCC-BS-25,	0.055	2.11	3000	0.015	97	62
EAMM-U-30-V20-28AA-44	EGSC-BS-25	0.055	2.11	3000	0.015	94	
EAMM-U-45-V25-38AA-63	EPCC-BS-32,	0.5	4.34	3600	0.05	264	
EAMM-U-45-V25-40P-63	EGSC-BS-32,	0.5	4.35	3600	0.05	253	
EAMM-U-45-V25-40R-63	ELGC-BS-32	0.5	4.34	3600	0.05	267	
EAMM-U-45-V25-40RA-63		0.5	4.34	3600	0.05	245	
EAMM-U-45-V25-42A-63		0.5	4.35	3600	0.05	247	
EAMM-U-45-V25-42AB-63		0.5	4.34	3600	0.05	247	
EAMM-U-45-V32-38AA-63	EPCC-BS-45,	1.0	4.34	3600	0.05	259	
EAMM-U-45-V32-40P-63	EGSC-BS-45,	1.0	4.34	3600	0.05	243	
EAMM-U-45-V32-40R-63	ELGC-BS-45	1.0	4.34	3600	0.05	262	
EAMM-U-45-V32-40RA-63		1.0	4.34	3600	0.05	240	
EAMM-U-45-V32-42A-63		1.0	4.35	3600	0.05	248	
EAMM-U-45-V32-42AB-63		1.0	4.35	3600	0.05	242	
EAMM-U-65-T42-40P-87	EPCC-BS-60,	3.0	41.2	3000	0.22	674	
EAMM-U-65-T42-40R-87	EGSC-BS-60,	3.0	41.2	3000	0.22	678	
EAMM-U-65-T42-55A-87	ELGC-BS-60,	3.0	41.2	3000	0.22	617	
EAMM-U-65-T42-57A-87	ELGD-BS-60	3.0	41.2	3000	0.22	594	
EAMM-U-65-T42-58AA-87		3.0	41.2	3000	0.22	590	
EAMM-U-65-T42-60AA-87		3.0	41.2	3000	0.22	583	
EAMM-U-65-T42-60AB-87		3.0	41.2	3000	0.22	582	
EAMM-U-65-T42-60P-87		3.0	41.0	3000	0.22	583	
EAMM-U-65-T42-60PA-87		3.0	41.0	3000	0.22	600	
EAMM-U-65-T42-60R-87		3.0	41.1	3000	0.22	602	
EAMM-U-65-T42-60RA-87		3.0	41.1	3000	0.22	601	
EAMM-U-65-T42-40G-114	ELGD-BS-WD-100,	3.0	41.2	3000	0.22	760	
EAMM-U-65-T42-40P-114	ELGD-BS-WD-120	3.0	41.2	3000	0.22	744	
EAMM-U-65-T42-40R-114		3.0	41.2	3000	0.22	749	
EAMM-U-65-T42-55A-114		3.0	41.2	3000	0.22	686	
EAMM-U-65-T42-57A-114		3.0	41.2	3000	0.22	667	
EAMM-U-65-T42-60P-114		3.0	41.2	3000	0.22	665	
EAMM-U-65-T42-60R-114		3.0	41.2	3000	0.22	666	
EAMM-U-65-T42-60RA-114		3.0	41.2	3000	0.22	665	
EAMM-U-87-T42-80P-114	ELGD-BS-60,	3.0	44.2	3000	0.22	1067	
EAMM-U-87-T42-87A-114	ELGD-BS-WD-100	3.0	41.2	3000	0.22	882	

Product range overview

General technical data								
Type	For axis	Transferable torque [Nm]	Mass moment of inertia [kgmm <sup>2</sup> ]	Max. speed [rpm]	No-load driving torque [Nm]	Weight [g]	→ Page	
EAMM-U-65-T42-40G-147	ELGD-BS-WD-100,	3.0	41.2	3000	0.22	847	62	
EAMM-U-87-T42-55A-147	ELGD-BS-WD-120	3.0	41.2	3000	0.22	774		
EAMM-U-87-T42-80P-147	ELGD-BS-WD-120	3.0	44.2	3000	0.22	1171		
EAMM-U-87-T42-82AA-147		3.0	41.2	3000	0.22	1145		
EAMM-U-87-T42-84AA-147		3.0	44.2	3000	0.22	1223		
EAMM-U-87-T42-87A-147		3.0	41.2	3000	0.22	996		
EAMM-U-87-T46-60P-114		ELGC-BS-80, ELGT-BS-90/120, ELGD-BS-80	3.0	41.0	3000	0.22		905
EAMM-U-87-T46-60R-114			3.0	41.0	3000	0.22		906
EAMM-U-87-T46-60RA-114	3.0		41.0	3000	0.22	905		
EAMM-U-87-T46-70A-114	3.0		41.1	3000	0.22	926		
EAMM-U-87-T46-70AA-114	3.0		41.0	3000	0.22	926		
EAMM-U-87-T46-80P-114	3.0		44.2	3000	0.22	1140		
EAMM-U-87-T46-80PA-114	3.0		44.2	3000	0.22	1057		
EAMM-U-87-T46-80PB-114	3.0		44.6	3000	0.22	1062		
EAMM-A-87-T46-85AA-114	3.0		41.0	3000	0.22	986		
EAMM-U-87-T46-87A-114	3.0		41.0	3000	0.22	877		
EAMM-U-87-T46-60P-147	ELGT-BS-120/160		3.0	41.0	3000	0.22		1015
EAMM-U-87-T46-60R-147			3.0	41.1	3000	0.22		1017
EAMM-U-87-T46-60RA-147			3.0	41.1	3000	0.22		1015
EAMM-U-87-T46-70A-147			3.0	41.1	3000	0.22		1037
EAMM-U-87-T46-70AA-147		3.0	41.2	3000	0.22	1037		
EAMM-U-87-T46-80P-147		ELGT-BS-120/160, ELGD-BS-80	3.0	44.2	3000	0.22		1154
EAMM-U-87-T46-80PB-147	3.0		44.6	3000	0.22	1159		
EAMM-U-87-T46-82AA-147	3.0		41.2	3000	0.22	1145		
EAMM-U-87-T46-84AA-147	3.0		44.2	3000	0.22	1233		
EAMM-A-87-T46-85AA-147	3.0		41.0	3000	0.22	1097		
EAMM-U-87-T46-87A-147	3.0		41.2	3000	0.22	1256		

## Product range overview

Operating and environmental conditions	
Gear ratio	1:1
Ambient temperature [°C]	0 ... +50
Storage temperature [°C]	-20 ... +60
Degree of protection <sup>1)</sup>	IP40
Relative humidity [%]	0 ... 95
Corrosion resistance class CRC <sup>2)</sup>	1
Note on materials	RoHS-compliant
LABS (PWIS) conformity	VDMA24364-Zone III

1) Only in combination with attached motor and axis.

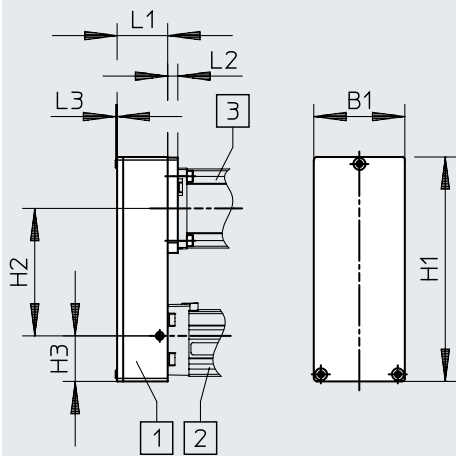
2) More information [www.festo.com/x/topic/crc](http://www.festo.com/x/topic/crc)

Datasheet

Dimensions and ordering data

Download CAD data → [www.festo.com](http://www.festo.com)

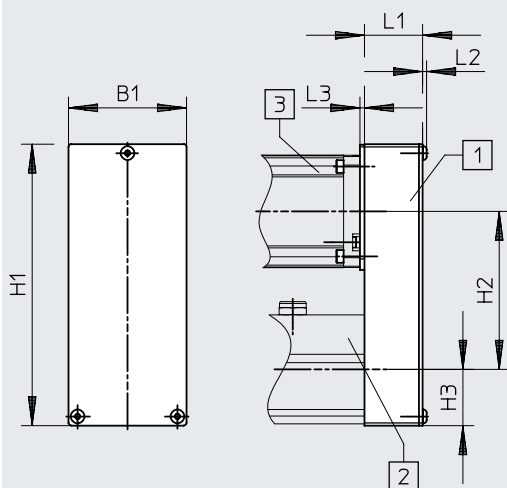
EGSC-BS, ELGC-BS, ELGD-BS



Main illustration:

- [1] Parallel kit
- [2] Mini slide, ball screw axis
- [3] Motor

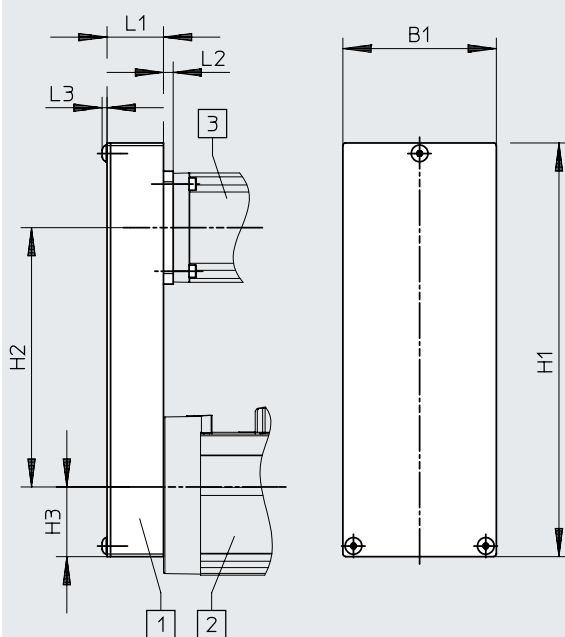
EPCC



Main illustration:

- [1] Parallel kit
- [2] Electric cylinder
- [3] Motor

ELGT-BS



Main illustration:

- [1] Parallel kit
- [2] Ball screw axis
- [3] Motor

## Datasheet

Type	B1	H1	H2	H3	L1	L2	L3	Part no.	Type
EAMM-U-30-V20-28A-44	30	76	44	15	18.2	8.1	1.6	4767125	EAMM-U-30-V20-28A-44
EAMM-U-30-V20-28AA-44	30	76	44	15	18.2	4	1.6	8093176	EAMM-U-30-V20-28AA-44
EAMM-U-38-V25-35A-63	38	105	63	19.5	24	5	1.7	8093286	EAMM-U-38-V25-35A-63
EAMM-U-45-V25-38AA-63	45	111	63	22.5	24	5	1.7	8093197	EAMM-U-45-V25-38AA-63
EAMM-U-45-V25-40P-63	45	111	63	22.5	24	5	1.7	4782056	EAMM-U-45-V25-40P-63
EAMM-U-45-V25-40R-63	45	111	63	22.5	24	10.5	1.7	8091655	EAMM-U-45-V25-40R-63
EAMM-U-45-V25-40RA-63	45	111	63	22.5	24	3.5	1.7	8095513	EAMM-U-45-V25-40RA-63
EAMM-U-45-V25-42A-63	45	111	63	22.5	24	4	1.7	4825645	EAMM-U-45-V25-42A-63
EAMM-U-45-V25-42AB-63	45	111	63	22.5	24	4	1.7	8095562	EAMM-U-45-V25-42AB-63
EAMM-U-45-V32-38AA-63	45	111	63	22.5	24	11	1.7	8092623	EAMM-U-45-V32-38AA-63
EAMM-U-45-V32-40P-63	45	111	63	22.5	24	5	1.7	4718297	EAMM-U-45-V32-40P-63
EAMM-U-45-V32-40R-63	45	111	63	22.5	24	10.5	1.7	8091631	EAMM-U-45-V32-40R-63
EAMM-U-45-V32-40RA-63	45	111	63	22.5	24	3.5	1.7	8095650	EAMM-U-45-V32-40RA-63
EAMM-U-45-V32-42A-63	45	111	63	22.5	24	4	1.7	4280674	EAMM-U-45-V32-42A-63
EAMM-U-45-V32-42AB-63	45	111	63	22.5	24	4	1.7	8095613	EAMM-U-45-V32-42AB-63
EAMM-U-65-T42-40G-114	65	182	114	31	32	19.5	2.2	8222171	EAMM-U-65-T42-40G-114
EAMM-U-65-T42-40G-147	65	215	147	31	32	19.5	2.2	8225961	EAMM-U-65-T42-40G-147
EAMM-U-65-T42-40P-87	65	155	87	31	32	13.5	2.2	8223763	EAMM-U-65-T42-40P-87
EAMM-U-65-T42-40P-114	65	182	114	31	32	13.5	2.2	8222172	EAMM-U-65-T42-40P-114
EAMM-U-65-T42-40R-87	65	155	87	31	32	13.5	2.2	8223764	EAMM-U-65-T42-40R-87
EAMM-U-65-T42-40R-114	65	182	114	31	32	13.5	2.2	8222173	EAMM-U-65-T42-40R-114
EAMM-U-65-T42-55A-87	65	155	87	31	32	6.5	2.2	8092868	EAMM-U-65-T42-55A-87
EAMM-U-65-T42-55A-114	65	182	114	31	32	6.5	2.2	8222165	EAMM-U-65-T42-55A-114
EAMM-U-65-T42-55A-147	65	215	147	31	32	6.5	2.2	8223771	EAMM-U-65-T42-55A-147
EAMM-U-65-T42-57A-87	65	155	87	31	32	3	2.2	4331535	EAMM-U-65-T42-57A-87
EAMM-U-65-T42-57A-114	65	182	114	31	32	3	2.2	8222166	EAMM-U-65-T42-57A-114
EAMM-U-65-T42-60AA-87	65	155	87	31	32	2.5	2.2	8093189	EAMM-U-65-T42-60AA-87
EAMM-U-65-T42-60AB-87	65	155	87	31	32	2.5	2.2	8096187	EAMM-U-65-T42-60AB-87
EAMM-U-65-T42-60P-87	65	155	87	31	32	5.5	2.2	4784301	EAMM-U-65-T42-60P-87
EAMM-U-65-T42-60P-114	65	182	114	31	32	5.5	2.2	8222167	EAMM-U-65-T42-60P-114
EAMM-U-65-T42-60R-87	65	155	87	31	32	5.5	2.2	8093364	EAMM-U-65-T42-60R-87
EAMM-U-65-T42-60R-114	65	182	114	31	32	5.5	2.2	8222168	EAMM-U-65-T42-60R-114
EAMM-U-65-T42-60RA-87	65	155	87	31	32	5.5	2.2	8093199	EAMM-U-65-T42-60RA-87
EAMM-U-65-T42-60RA-114	65	182	114	31	32	5.5	2.2	8222170	EAMM-U-65-T42-60RA-114
EAMM-U-87-T42-80P-114	87	201.5	114	39.5	32	24.2	2.8	8223765	EAMM-U-87-T42-80P-114
EAMM-U-87-T42-80P-147	87	234.5	147	39.5	32	24.2	2.8	8223774	EAMM-U-87-T42-80P-147
EAMM-U-87-T42-82AA-147	87	234.5	147	39.5	32	9.5	2.8	8223777	EAMM-U-87-T42-82AA-147
EAMM-U-87-T42-84AA-147	87	234.5	147	39.5	32	24.2	2.8	8223780	EAMM-U-87-T42-84AA-147
EAMM-U-87-T42-87A-114	87	201.5	114	39.5	32	2	2.8	8223768	EAMM-U-87-T42-87A-114
EAMM-U-87-T42-87A-147	87	234.5	147	39.5	32	2	2.8	8223783	EAMM-U-87-T42-87A-147
EAMM-U-87-T46-60P-114	87	201.5	114	39.5	32	5.5	2.8	4824069	EAMM-U-87-T46-60P-114
EAMM-U-87-T46-60P-147	87	234.5	147	39.5	32	5.5	2.8	8126161	EAMM-U-87-T46-60P-147
EAMM-U-87-T46-60R-114	87	201.5	114	39.5	32	5.5	2.8	8126171	EAMM-U-87-T46-60R-114
EAMM-U-87-T46-60R-147	87	234.5	147	39.5	32	5.5	2.8	8126162	EAMM-U-87-T46-60R-147
EAMM-U-87-T46-60RA-114	87	201.5	114	39.5	32	5.5	2.8	8126172	EAMM-U-87-T46-60RA-114
EAMM-U-87-T46-60RA-147	87	234.5	147	39.5	32	5.5	2.8	8126163	EAMM-U-87-T46-60RA-147
EAMM-U-87-T46-70A-114	87	201.5	114	39.5	32	7	2.8	8092891	EAMM-U-87-T46-70A-114
EAMM-U-87-T46-70A-147	87	234.5	147	39.5	32	7	2.8	8126165	EAMM-U-87-T46-70A-147
EAMM-U-87-T46-70AA-114	87	201.5	114	39.5	32	7	2.8	8096220	EAMM-U-87-T46-70AA-114
EAMM-U-87-T46-70AA-147	87	234.5	147	39.5	32	7	2.8	8126166	EAMM-U-87-T46-70AA-147
EAMM-U-87-T46-80P-114	87	201.5	114	39.5	32	24.7	2.8	4822696	EAMM-U-87-T46-80P-114
EAMM-U-87-T46-80P-147	87	234.5	147	39.5	32	24.7	2.8	8126167	EAMM-U-87-T46-80P-147
EAMM-U-87-T46-80PB-114	87	201.5	114	39.5	32	24.7	2.8	8096289	EAMM-U-87-T46-80PB-114
EAMM-U-87-T46-80PB-147	87	234.5	147	39.5	32	24.7	2.8	8126168	EAMM-U-87-T46-80PB-147
EAMM-U-87-T46-82AA-147	87	234.5	147	39.5	32	10	2.8	8223789	EAMM-U-87-T46-82AA-147
EAMM-U-87-T46-84AA-147	87	234.5	147	39.5	32	24.7	2.8	8223786	EAMM-U-87-T46-84AA-147
EAMM-A-87-T46-85AA-114	87	201.5	114	39.5	32	10	2.8	8097655	EAMM-A-87-T46-85AA-114
EAMM-A-87-T46-85AA-147	87	234.5	147	39.5	32	10	2.8	8126169	EAMM-A-87-T46-85AA-147
EAMM-U-87-T46-87A-114	87	201.5	114	39.5	32	2.5	2.8	4819278	EAMM-U-87-T46-87A-114
EAMM-U-87-T46-87A-147	87	234.5	147	39.5	32	2.5	2.8	8126170	EAMM-U-87-T46-87A-147

## Product range overview

Third-party motors and gear units		
Manufacturer	Motor interface	Type
Allen-Bradley/Rockwell Automation	<b>40R</b>	TL-A110; TL-A120; TL-A130; TLY-A110; TLY-A120; TLY-A130
Allen-Bradley/Rockwell Automation	<b>55A</b>	MPL-A/B1510; MPL-A/B1520; MPL-A/B1530; VPL-A/B-063x
Allen-Bradley/Rockwell Automation	<b>60R</b>	TL-A220; TL-A230; TLY-A220; TLY-A230
Allen-Bradley/Rockwell Automation	<b>70A</b>	MPL-A/B210; MPL-A/B220; MPL-A/B230; VPL-A/B-075x
Allen-Bradley/Rockwell Automation	<b>80R</b>	TLx-A25
Allen-Bradley/Rockwell Automation	<b>90R</b>	TLY-A310
Allen-Bradley/Rockwell Automation	<b>92RA</b>	MPF-B310; MPL-B320; MPL-B330; VPL-A/B1001; VPL-A/B1002; VPL-A/B1003
Allen-Bradley/Rockwell Automation	<b>100A</b>	VPL-A/B1152; VPL-A/B1153; MPL-A/B420; MPL-A/B430
Allen-Bradley/Rockwell Automation	<b>108AA</b>	VPL-A/B1303; VPL-A/B1304; VPL-A/B1306; MPL-A/B4530; MPL-A/B4540; MPL-A/B4560
Allen-Bradley/Rockwell Automation	<b>190A</b>	B640; B660; B690
AMK	<b>55A</b>	DT3
AMK	<b>70A</b>	DT4-1; DT4-2
AMK	<b>100A</b>	DT5-15; DT5-23; DT5-3; DT5-5; DT5-9; DTK5-3
Apex Dynamics INC.	<b>40G</b>	PG040
Apex Dynamics INC.	<b>50GA</b>	PE 050
Apex Dynamics INC.	<b>60H</b>	PG II 060; PG060; PG2-060
Apex Dynamics INC.	<b>70GA</b>	PE 070
Apex Dynamics INC.	<b>80G</b>	PG080
Apex Dynamics INC.	<b>86GA</b>	PG2-080; PG II 080
Apex Dynamics INC.	<b>90GA</b>	PE 090
Apex Dynamics INC.	<b>114GA</b>	PG II 120; PG2-120
Apex Dynamics INC.	<b>120G</b>	PG120
Apex Dynamics INC.	<b>120GA</b>	PG080A
Apex Dynamics INC.	<b>120GC</b>	PE 120
Apex Dynamics INC.	<b>160G</b>	PG160; PG II 160; PG2-160
B+R Automation	<b>40G</b>	8GP30-040
B+R Automation	<b>40R</b>	8LVA1
B+R Automation	<b>55A</b>	8LSA2
B+R Automation	<b>57AA</b>	80MPF
B+R Automation	<b>58AA</b>	8JSA2
B+R Automation	<b>60H</b>	8GP30-060; 8GP40-060
B+R Automation	<b>60PA</b>	8LVA22; 8LVA23
B+R Automation	<b>70AA</b>	8JSA3
B+R Automation	<b>72GA</b>	8GP60-070
B+R Automation	<b>80G</b>	8GP40-080
B+R Automation	<b>80PA</b>	8LVA3
B+R Automation	<b>84AA</b>	8JSA4
B+R Automation	<b>88A</b>	8LSA3; 8MSA3
B+R Automation	<b>100A</b>	8LSA4; 8MSA4; 8MSC4
Baumüller	<b>55A</b>	DSD 028 M; DSD 028 S
Baumüller	<b>70A</b>	DSD 036 M; DSD 036 S
Baumüller	<b>88A</b>	DS 045 L; DS 045 M; DS 045 S; DSC 045 K; DSC 045 M; DSC 045 S; DSCG 045 K; DSCG 045 M; DSCG 045 S; DSD 045 L; DSD 045 M; DSD 045 S
Baumüller	<b>126AA</b>	DSC 056 K; DSC 056 M; DSC 056 S; DSCG 056 K; DSCG 056 M; DSCG 056 S; DSD 056 L; DSD 056 M; DSD 056 S
Beckhoff	<b>40R</b>	AM3011; AM3012; AM3013; AM3111; AM3112; AM8111; AM8113
Beckhoff	<b>42A</b>	AS1010; AS1020
Beckhoff	<b>55A</b>	AM227LL; AM227M; AM8021; AM8022; AM8023; AM8121; AM8122
Beckhoff	<b>58AA</b>	AM3021; AM3022; AM3023; AM3024
Beckhoff	<b>60RB</b>	AM3121
Beckhoff	<b>70AA</b>	AM3031; AM3032; AM3033; AM8031; AM8032; AM8131; AM8531
Beckhoff	<b>84AA</b>	AM3041; AM3042; AM3043; AM3044; AM3541; AM3542; AM3543; AM8041; AM8042; AM8043
Beckhoff	<b>88A</b>	AM247L
Beckhoff	<b>100A</b>	AM257M; AM257S
Beckhoff	<b>104AA</b>	AM8051; AM8052; AM8053
Beckhoff	<b>108AA</b>	AM3051; AM3052; AM3053; AM3054; AM3551; AM3552; AM3553; AM8051-XXXX-900
Beckhoff	<b>158AA</b>	AM3062; AM3063; AM3064; AM3065; AM3562; AM3563; AM8061; AM8062; AM8063

## Product range overview

Third-party motors and gear units		
Manufacturer	Motor interface	Type
Bosch Rexroth	<b>38AA</b>	MSM019A; MSM019B
Bosch Rexroth	<b>40G</b>	GTE040
Bosch Rexroth	<b>58AA</b>	MKD 025; MSK030B; MSK030C; MS2N03-BXXXN-AXDK0-NNNNN-NN; MS2N03-BXXXN-BXDG0-NNNNN-NN; MS2N03-BXXXN-BXDH1-NNNNE-NN; MS2N03-BXXXN-CXDG0-NNNNN-NN; MS2N03-BXXXN-CXDG1-NNNNN-NN; MS2N03-BXXXN-CXDH0-NNNNN-NN; MS2N03-BXXXN-CXDH1-NNNNN-NN; MS2N03-BXXXN-CXSG1-NNNNN-
Bosch Rexroth	<b>60H</b>	GTE060
Bosch Rexroth	<b>60P</b>	MSM 031C
Bosch Rexroth	<b>60RA</b>	MSM030B; MSM031B
Bosch Rexroth	<b>68GA</b>	GTM060
Bosch Rexroth	<b>75GA</b>	GTM075
Bosch Rexroth	<b>80G</b>	GTE080
Bosch Rexroth	<b>80P</b>	MSM040B; MSM041B
Bosch Rexroth	<b>82AA</b>	MKD041; MSK040B; MSK040C; MSK043C; MS2N04
Bosch Rexroth	<b>100A</b>	MSK050B; MSK050C
Bosch Rexroth	<b>115GA</b>	GTM100
Bosch Rexroth	<b>116AA</b>	MSK061B; MSK061C
Bosch Rexroth	<b>120G</b>	GTE120
Bosch Rexroth	<b>158AA</b>	MSK070C; MSK070D; MSK070E; MSK071C; MSK071D; MSK071E; MSK075C; MSK075D; MSK075E
Bosch Rexroth	<b>160G</b>	GTE160
Danaher Motion	<b>40R</b>	AKM1 AK; AKM1 AN
Danaher Motion	<b>58AA</b>	AKM21 AC; AKM21 AN; AKM22 AC; AKM22 AN; AKM23 AC; AKM23 AN; AKM24 AC; AKM24 AN; AKM2x AC/AN
Danaher Motion	<b>60P</b>	AKM2 CK
Danaher Motion	<b>70AA</b>	AKM 31 AC; AKM 31 AN; AKM 32 AC; AKM 32 AN; AKM 33 AC; AKM 33 AN
Danaher Motion	<b>84AA</b>	AKM 41 AC; AKM 41 AN; AKM 42 AC; AKM 42 AN; AKM 43 AC; AKM 43 AN; AKM 44 AC; AKM 44 AN
Delta	<b>80RA</b>	ECMA-C Δ0807
Elau	<b>55A</b>	SH-055 80 005; SH-055 80 009; SH-055 80 013
Elau	<b>70A</b>	iSH 070 60 011; iSH 070 60 017; SH-070 60 010; SH-070 60 020; SM-070 xx010; SM-070 xx020
Elau	<b>70AA</b>	iSH 070 60 022; SH-070 60 030
Elau	<b>104AA</b>	SH 100 30 100
Esitron	<b>88A</b>	esiMot 32/3
Fanuc	<b>60PA</b>	BETA iS1
Fanuc	<b>88A</b>	S 4/5000 HV
Fastech	<b>20AC</b>	EzM2-20
Fastech	<b>25AA</b>	EzM-25
Fastech	<b>28AA</b>	EzM2-28
Fastech	<b>35A</b>	EzM2-35
Fastech	<b>42A</b>	EzM2-42
Fastech	<b>57A</b>	EzM2-56
Fastech	<b>60AA</b>	EzM2-60
Inovance	<b>40R</b>	ISMH1-10B30
Inovance	<b>60PA</b>	ISMH1-20B30; ISMH1-40B30
Inovance	<b>80PA</b>	ISMH1-75B30
Kollmorgen	<b>40R</b>	AKM11; AKM12; AKM13
Kollmorgen	<b>55A</b>	DBL2 H00080
Kollmorgen	<b>58AA</b>	AKM21; AKM22; AKM23; AKM24
Kollmorgen	<b>70AA</b>	AKM31x-Ax; AKM32x-Ax; AKM33x-Ax
Kollmorgen	<b>84AA</b>	AKM41x-Ax; AKM42x-Ax; AKM43x-Ax; AKM44x-Ax
Kollmorgen	<b>108AA</b>	AKM51x-Ax; AKM52x-Ax; AKM53x-Ax; AKM54x-Ax
Kollmorgen	<b>158AA</b>	AKM62; AKM63; AKM64; AKM65
Lenze	<b>68GA</b>	GPA00; MPR050-1S GCN
Lenze	<b>70A</b>	MCS 06; MDSKSxx036
Lenze	<b>75GA</b>	GPA01
Lenze	<b>88A</b>	MCA 10 FF100; MCS 09; MDSKSxx056 FF100; LST-074-2
Lenze	<b>115GA</b>	GPA02
Lenze	<b>120GA</b>	GKR03-2M VAK; GKR04-2S VAK

## Product range overview

Third-party motors and gear units		
Manufacturer	Motor interface	Type
Minebea	20AA	08PM-K (IP20)
Minebea	25AA	10PM-K (IP20)
Minebea	35A	14PY-Z (IP20)
Minebea	42A	17PY-Z (IP20)
Minebea	57A	23KY-K (IP20)
Minebea	87AB	34KM-K (IP20)
Mitsubishi	28M	HC-AQ0335D
Mitsubishi	40R	HF-KE13; HF-KP053; HF-KP13; HF-MP053; HF-MP13; HG-MR13B
Mitsubishi	60PA	HF-KP23; HF-KP43; HK-KT23W; HK-KT43W; HF-KE23; HF-KE43; HF-MP23; HF-MP43; HG-KR43
Mitsubishi	80PA	HG-KR73; HK-KT7M3W
Moons	20AB	8HYxx (IP20)
Moons	35AB	MS14HA (IP20)
Moons	42A	MS17HA (IP20)
Moons	57A	MS23HA (IP20)
Moons	60PA	SM601AE4; SM602AE4
Moons	80PA	SM803AE4
Moons	87AA	ML34HD (IP20)
Nanotec	42A	ST4209
Nanotec	57AA	ST6018
Nanotec	87AB	ST8918L
Neugart	40G	PLE 040; WPLE 40
Neugart	50GA	PLPE 50; WPLPE 50
Neugart	60H	PLE 060; WPLE 60
Neugart	68GA	PLN 70; WPLN 70
Neugart	70GA	PLPE 70; WPLPE 70
Neugart	72GA	PLN 70 (OP14); WPLN 70 (OP14)
Neugart	75GA	PLN 90; WPLN 90
Neugart	80G	PLE 080; WPLE 80
Neugart	90GA	PLPE 90; WPLPE 90
Neugart	115GA	PLN 115; WPLN 115
Neugart	120G	PLE 120; WPLE 120
Neugart	120GA	PLE 080-90; WPLE 80-90
Neugart	120GC	PLPE 120; WPLPE 120
Neugart	160G	PLE 160
Omron	40R	R7M-A10030; R88M-K10030H; SGM-AV-01A; SGM-AV-A5A; SGM-AV-C2A; SGM-JV-01A; SGM-JV-05A
Omron	60P	R88M-1M40030
Omron	60PA	SGMAH-02; SGM-AV-02A; SGM-AV-04A; SGM-AV-06A; SGM-JV-02A; SGM-JV-04A
Omron	60RA	R88M-1M20030; R88M-G20030H; R88M-K20030H-S2
Omron	80P	R88M-1M75030; R88M-G75030H; R88M-K75030
Oriental Motor	20AA	CVK21
Oriental Motor	28AA	AR2x; AZ2x; CVK22
Oriental Motor	35AA	CVK23
Oriental Motor	42AA	CVK24
Oriental Motor	42AB	AR4x; AZ4x
Oriental Motor	57A	PKP26
Oriental Motor	57AD	CVK26
Oriental Motor	60AB	AR6x; AZ6x
Oriental Motor	85AA	AR9x; AZ9x
Panasonic	38AA	MSMD012J1; MSMF012; MSMF5A
Panasonic	60P	MSMF042
Panasonic	60RA	MSMF022
Panasonic	80P	MSMF082
Parker	120GA	PE 4
Parker	55A	SMH60601_45112ID654
Parker	60H	PE 3
Parker	70A	SMHA60301
Planetroll	115GA	PDH 200/1
Planetroll	68GA	PDH 25/1
Planetroll	75GA	PDH 100/1

## Product range overview

Third-party motors and gear units		
Manufacturer	Motor interface	Type
Sanyo Denki	28AA	SH2281; SH2285
Sanyo Denki	35A	SH3533; SH3537
Sanyo Denki	40R	R2EA04008; R2xA04005
Sanyo Denki	40S	R2AA04003
Sanyo Denki	40T	R2AA04005; R2AA04010
Sanyo Denki	60PA	R2AA06040; R2AA06040FX; R2xA06020
Sanyo Denki	60S	R2AA06010
Sanyo Denki	60T	R2AA06020
Sanyo Denki	80PB	R2AA08075
Sanyo Denki	90R	R2AAB8100
Schneider Electric	40A	BMH 1403
Schneider Electric	42A	ILP2R421; ILP2R422; ILP2R423
Schneider Electric	55A	BMH 055; BSH 055
Schneider Electric	57AA	NEMA23; NEMA24
Schneider Electric	57AB	BRS 364; BRS 366; IFS 61; IFS 62; ILS1x571; ILS1x572
Schneider Electric	57AC	BRS 368; IFS 63; ILS1x573
Schneider Electric	70A	BMH 0701; BMH 0702; BSH 0701; BSH 0702
Schneider Electric	70AA	BMH 0703; BSH 0703
Schneider Electric	80G	GBX080
Schneider Electric	104AA	BSH 1004
Schneider Electric	116AA	BRH 110
Schneider Electric	120G	GBX120
SEW Eurodrive	56GA	PSF 121; PSF 122; PSKF 121; PSKF 122
SEW Eurodrive	58AA	CMP40
SEW Eurodrive	68GA	PSC 221; PSC 222; PSF 221; PSF 222; PSKC 221; PSKC 222; PSKF 221; PSKF 222
SEW Eurodrive	70A	CMP50
SEW Eurodrive	70GA	PSCZ 221; PSCZ 222; PSKCZ 221; PSKCZ 222
SEW Eurodrive	75GA	PSC 321; PSC 322; PSF 321; PSF 322; PSKC 321; PSKC 322; PSKF 321; PSKF 322
SEW Eurodrive	88A	CMP63
SEW Eurodrive	92RA	WF10 Ø120; WF10DT56
SEW Eurodrive	100A	CFM71
SEW Eurodrive	115GA	PSC 521; PSC 522; PSF 521; PSF 522; PSKC 521; PSKC 522; PSKF 521; PSKF 522
SEW Eurodrive	120GA	RF07 Ø120; SF37 Ø120; WF30 Ø120; WF37 Ø120
SEW Eurodrive	120GB	RF27 Ø120
SEW Eurodrive	126AA	CMPZ71
SEW Eurodrive	190A	CFM112
Siemens	40R	1FK2102-0AG...; 1FK2102-1AG...
Siemens	40RA	1FK7011; 1FK7015
Siemens	55A	1FK7022; 1FT6021; 1FT6024
Siemens	60PA	1FK2103-2AG...-0...; 1FK2103-2AG...-1...; 1FK2103-4AG...-0...; 1FK2103-4AG...-1...; 1FK2203-2AG...-0...; 1FK2203-2AG...-1...; 1FK2203-4AG...-0...; 1FK2203-4AG...-1...; 1FL603x-2AF21
Siemens	60RB	1FK2103-2AG...-2...; 1FK2103-4AG...-2...; 1FK2203-2AG...-2...; 1FK2203-4AG...-2...
Siemens	68GA	SP 060S
Siemens	70AA	1FT6031; 1FT6034
Siemens	70AB	1FK7032; 1FK7033; 1FK7034; 1FT7034; 6SN2155...
Siemens	75GA	SP 075S
Siemens	80PA	1FK2104-4AK...; 1FK2104-5AK...; 1FL604x-2AF21
Siemens	80RA	1FL604x-2AF21
Siemens	84AA	1FK7040; 1FK7042; 1FK7043; 1FK7044; 1FT6041; 1FT6044; 1FT704x
Siemens	96RB	1FT7042; 1FT7044; 1FT7046
Siemens	115GA	SP 100S
Siemens	120GA	BF29-KQ-703
Siemens	120GB	ZF29-KQ-704; ZF29-KQ-706
Siemens	126AA	1FK7060; 1FK7062; 1FK7063; 1FT6061; 1FT6062; 1FT6064; 1FT7062; 1FT7064; 1FT7066; 1FT7068; 1FK2206
Siemens	158AA	1FK7080; 1FK7083; 1FK7086; 1FT6081; 1FT6082; 1FT6084; 1FT6086

## Product range overview

Third-party motors and gear units		
Manufacturer	Motor interface	Type
Wittenstein Alpha	<b>40G</b>	CP 005; CPK 005; alphira CP 040
Wittenstein Alpha	<b>50GA</b>	NPK 005; LP+ 050 (replaced by NP 005); LPK+ 050 (replaced by NPK 005); LK+ 050; LP+ 050; LPK+ 050; NP 005
Wittenstein Alpha	<b>60H</b>	CP 015; CPK 015; alphira CP 060
Wittenstein Alpha	<b>68GA</b>	SK+ 060; SP+ 060; SPC+ 060; SK+ 060 MF; SP+ 060 MF
Wittenstein Alpha	<b>70GA</b>	NP 015; NPK 015; LP+ 070 (replaced by NP 015); LPK+ 070 (replaced by NPK 015); LK+ 070; LP+ 070; LPK+ 070
Wittenstein Alpha	<b>75GA</b>	SK+ 075; SP+ 075; SPK+ 075; SPC+ 075; SK+ 075 MF; SP+ 075 MC; SP+ 075 MF; SPK+ 075 MF
Wittenstein Alpha	<b>80G</b>	CP 025; CPK 025; alphira CP 080
Wittenstein Alpha	<b>90GA</b>	NP 025; NPK 025; LP+ 090 (replaced by NP 025); LPK+ 090 (replaced by NPK 025); LK+ 090; LP+ 090; LPK+ 090
Wittenstein Alpha	<b>115GA</b>	SK+ 100; SP+ 100; SPK+ 100; SPC+ 100; SK+ 100 MF; SP+ 100 MC; SP+ 100 MF; SPK+ 100 MF
Wittenstein Alpha	<b>120G</b>	CP 035; CPK 035; alphira CP 115
Wittenstein Alpha	<b>120GC</b>	NP 035; NPK 035; LP+ 120 (replaced by NP 035); LPK+ 120 (replaced by NPK 035); LK+ 120; LP+ 120; LPK+ 120
YASKAWA	<b>25A</b>	SGMM...
YASKAWA	<b>40R</b>	SGM7J-A5A.A2.; SGM7J-01A.A2.; SGM7J-C2A.A2.; SGM7JA-A5A.A2.; SGM7JA-01A.A2.; SGM7JA-C2A.A2.
YASKAWA	<b>60PA</b>	SGM7J-02A.A2.; SGM7J-04A.A2.; SGM7J-06A.A2.
YASKAWA	<b>60S</b>	SGM7P-01A..2.
YASKAWA	<b>80PA</b>	SGM7J-08A.A2.