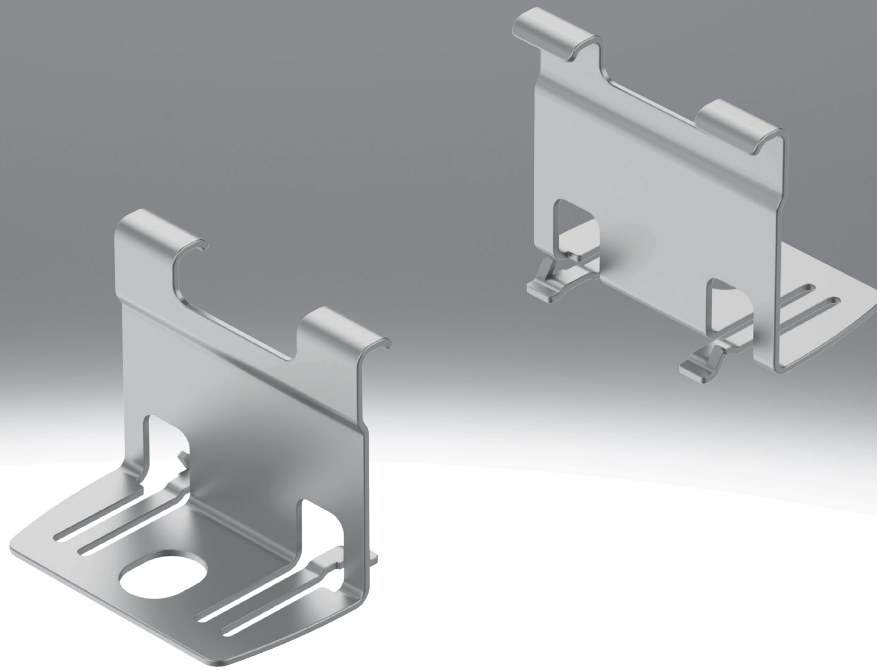


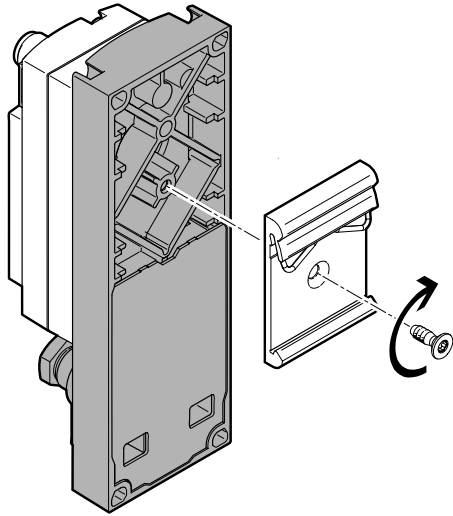
## Mounting component

**FESTO**



## Datasheet

### General technical data – Mounting for DIN rail for electrical connection block CAPC



Max. tightening torque	0.8 Nm
Product weight	22 g

### Materials – Mounting for DIN rail for electrical connecting block CAPC

Material mounting bracket	Anodised aluminium
Note on materials	RoHS-compliant
LABS (PWIS) conformity	VDMA24364-B2-L

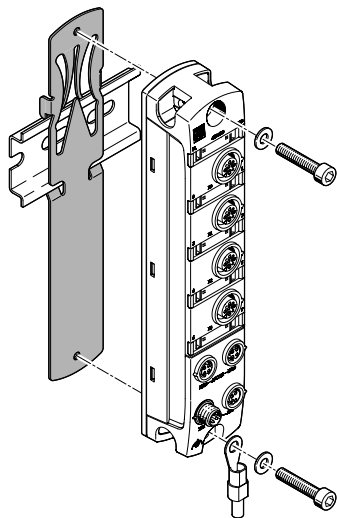
### Operating and environmental conditions – Mounting for DIN rail for electrical connection block CAPC

Corrosion resistance class CRC <sup>1)</sup>	0 - No corrosion stress
-------------------------------------------------	-------------------------

<sup>1)</sup> More information at [www.festo.com/x/topic/kbk](http://www.festo.com/x/topic/kbk)

## Datasheet

## General technical data – Mounting for DIN rail for remote I/O system CPX-AP-I



Design	Version X4, For mounting rail
Width	29 mm
Height	4.2 mm
Length	169 mm
Type of mounting	Snapping in
Product weight	38 g

## Materials – Mounting for DIN rail for the remote I/O system CPX-AP-I

Material adapter plate	High-alloy stainless steel
Note on materials	RoHS-compliant
LABS (PWIS) conformity	VDMA24364-B2-L

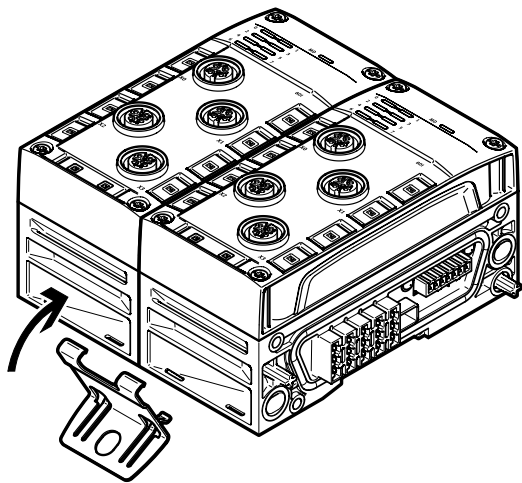
## Operating and environmental conditions – Mounting for DIN rail for remote I/O system CPX-AP-I

Ambient temperature	-40 ... 85°C
Storage temperature	-40 ... 85°C
Corrosion resistance class CRC <sup>1)</sup>	2 - Moderate corrosion stress

1) More information at [www.festo.com/x/topic/kbk](http://www.festo.com/x/topic/kbk)

## Datasheet

### General technical data – Attachment for wall mounting for remote I/O system CPX-AP-A



Dimensions (W x L x H)	32 mm x 23.3 mm x 27.7 mm
Type of mounting	Snapping in
Product weight	15 g

### Materials – Attachment for the wall mounting for remote I/O system CPX-AP-A

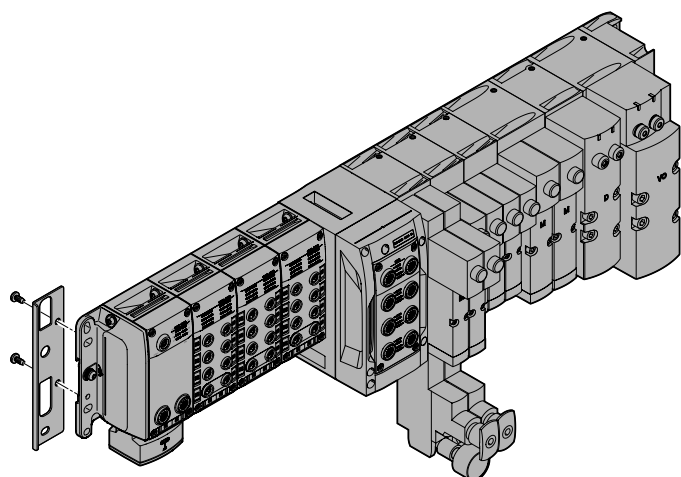
Material mounting bracket	Steel, zinc-nickel coating
Note on materials	RoHS-compliant
LABS (PWIS) conformity	VDMA24364-B2-L

### Operating and environmental conditions – Attachment for wall mounting for remote I/O system CPX-AP-A

Corrosion resistance class CRC <sup>1)</sup>	1 - Low corrosion stress
-------------------------------------------------	--------------------------

1) More information at [www.festo.com/x/topic/kbk](http://www.festo.com/x/topic/kbk)

### General technical data – Mounting for fastening to support system with valve terminal VTSA/VTSA-F/VTSA-F-CB for remote I/O system CPX-AP-A



Dimensions (W x L x H)	35 mm x 142.5 mm x 6.3 mm
Type of mounting	Threaded
Max. tightening torque	1.8 Nm
Tolerance for tightening torque	± 20%
Product weight	57 g

## Datasheet

### Materials – Mounting for fastening to support system with valve terminal VTSA/VTSA-F/VTSA-F-CB for remote I/O system CPX-AP-A

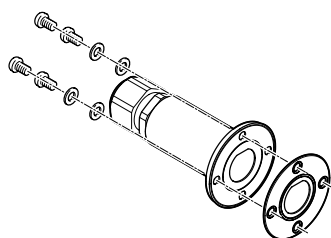
Material mounting bracket	High-alloy stainless steel
Material screws	Galvanised steel
Note on materials	RoHS-compliant
LABS (PWIS) conformity	VDMA24364-B2-L

### Operating and environmental conditions – Mounting for fastening to support system with valve terminal VTSA/VTSA-F/VTSA-F-CB for remote I/O system CPX-AP-A

Corrosion resistance class CRC <sup>1)</sup>	1 - Low corrosion stress
-------------------------------------------------	--------------------------

1) More information at [www.festo.com/x/topic/kbk](http://www.festo.com/x/topic/kbk)

### General technical data – Holder for operator units CDPX



Type of mounting	Screw-clamped
Product weight	105 g

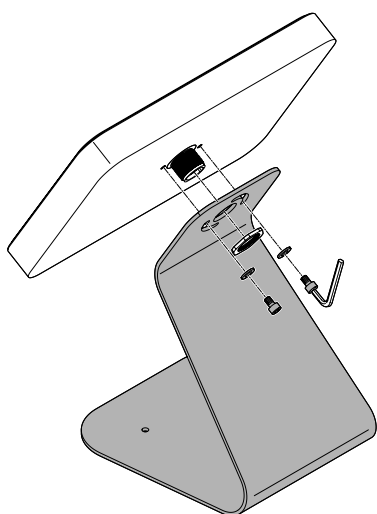
### Materials – Retainer for operator units CDPX

Material screws	High-alloy stainless steel
Note on materials	RoHS-compliant
LABS (PWIS) conformity	VDMA24364 zone III

### Operating and environmental conditions – Retainer for operator units CDPX

Ambient temperature	-20 ... 55°C
Storage temperature	-30 ... 80°C

### General technical data – Table stand for operator units CDPX



Type of mounting	Screw-clamped
Product weight	1,495 g

## Datasheet

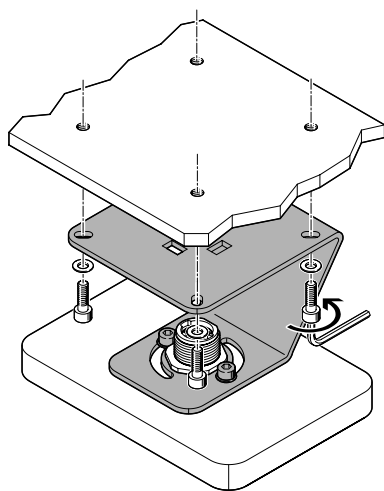
### Materials – Table stand for operator units CDPX

Material screws	High-alloy stainless steel
Note on materials	RoHS-compliant
LABS (PWIS) conformity	VDMA24364 zone III

### Operating and environmental conditions – Table stand for operator units CDPX

Ambient temperature	-20 ... 55°C
Storage temperature	-30 ... 80°C

### General technical data – VESA adapter for operator units CDPX



Type of mounting	Screw-clamped
Product weight	445 g

### Materials – VESA adapter for operator units CDPX

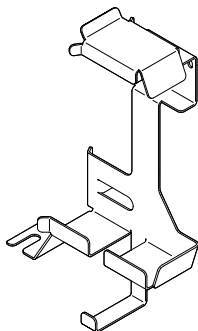
Material screws	High-alloy stainless steel
Note on materials	RoHS-compliant
LABS (PWIS) conformity	VDMA24364 zone III

### Operating and environmental conditions – VESA adapter for operator units CDPX

Ambient temperature	-20 ... 55°C
Storage temperature	-30 ... 80°C

## Datasheet

### General technical data – Retainer for operator unit CDSA



Width	216 mm
Height	97 mm
Length	345 mm
Type of mounting	Threaded
Product weight	749 g

### Materials – Retainer for operator unit CDSA

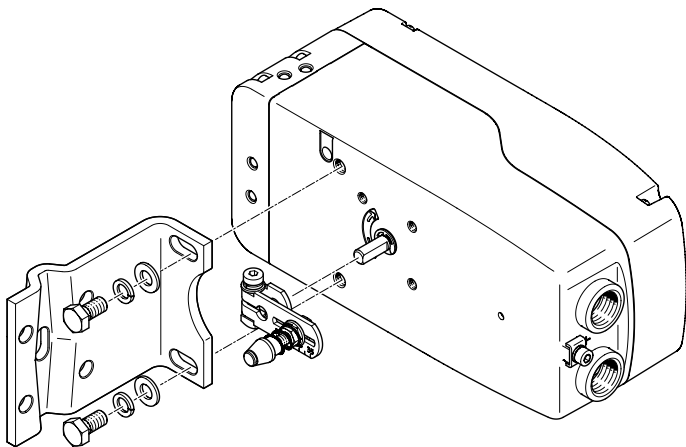
Material mounting bracket	Powder-coated steel
Note on materials	RoHS-compliant
LABS (PWIS) conformity	VDMA24364 zone III

### Operating and environmental conditions – Retainer for operator unit CDSA

Ambient temperature	0 ... 40°C
Storage temperature	-20 ... 70°C
Corrosion resistance class CRC <sup>1)</sup>	0 - No corrosion stress

1) More information at [www.festo.com/x/topic/kbk](http://www.festo.com/x/topic/kbk)

### Materials – Mounting kit for linear actuators/diaphragm actuators with interface to IEC 60534-6-1, NAMUR 004



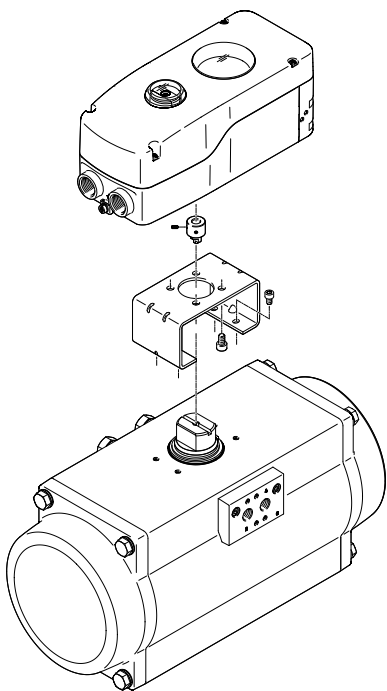
Additional features	None	Reduced kit
Material mounting bridge	High-alloy stainless steel	-
Material screws	High-alloy stainless steel	
Note on materials	RoHS-compliant	
LABS (PWIS) conformity	VDMA24364 zone III	

## Datasheet

### Operating and environmental conditions – Mounting kit for linear actuators/diaphragm actuators with interface to IEC 60534-6-1, NAMUR 004

Connection pattern	Linear actuators to IEC 60534-6-1, NAMUR 004
Storage temperature	–

### General technical data – Coupling for positioner CMSH



Connection pattern	For quarter turn actuators to IEC 60534-6-2, VDI/VDE 3845-1	Quarter turn actuators to VDI/VDE 3847-2
Type of mounting	To VDI/VDE 3845	To VDI/VDE 3847-2
Product weight	27 g	47 g

### Materials – Coupling for positioner CMSH

Material coupling	High-alloy stainless steel
Material screws	High-alloy stainless steel
Note on materials	RoHS-compliant
LABS (PWIS) conformity	VDMA24364 zone III

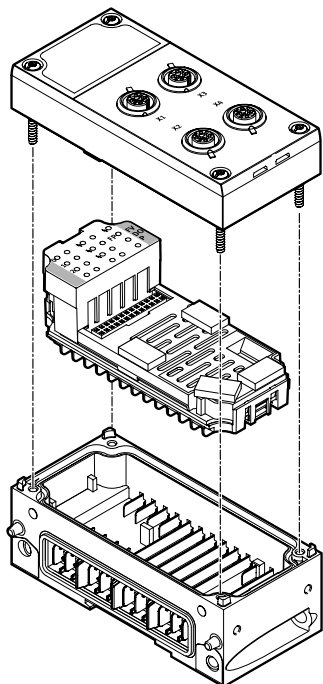
### Materials – Screws for attaching an inscription label to the bus node CPX-M-FB45



Material screws	Steel
LABS (PWIS) conformity	VDMA24364-B2-L

## Datasheet

### Materials – Screws for attaching the bus node/connection block to the interlinking block, for terminal CPX



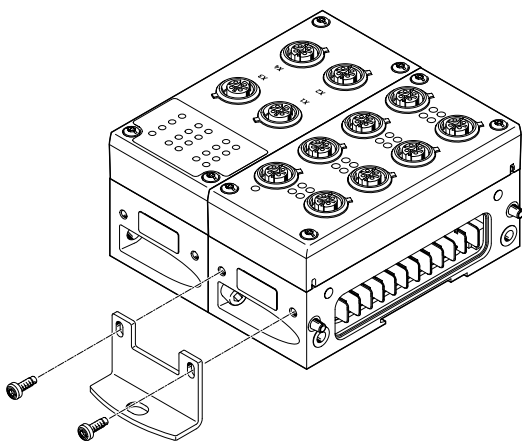
Mounting component	Self-tapping screw	Screw/screws	
Additional features	Captive element		Release safeguard
Material screws	Steel		
Note on materials	RoHS-compliant		
LABS (PWS) conformity	VDMA24364-B2-L		VDMA24364-C1-L

### Operating and environmental conditions – Screws for attaching the bus node/connection block to the interlinking block, for terminal CPX

Mounting component	Self-tapping screw	Screw/screws	
Additional features	Captive element		Release safeguard
Mechanical connection	Standard	M3	
Corrosion resistance class CRC <sup>1)</sup>	–	1 - Low corrosion stress	3 - high corrosion stress

<sup>1)</sup> More information at [www.festo.com/x/topic/kbk](http://www.festo.com/x/topic/kbk)

### General technical data – Attachment for wall mounting, version for metal interlinking plates for terminal CPX



Mounting component	Mounting bracket	Wall mounting
Product weight	35 g	22 g

## Datasheet

### Materials – Attachment for wall mounting, version for metal interlinking plates for terminal CPX

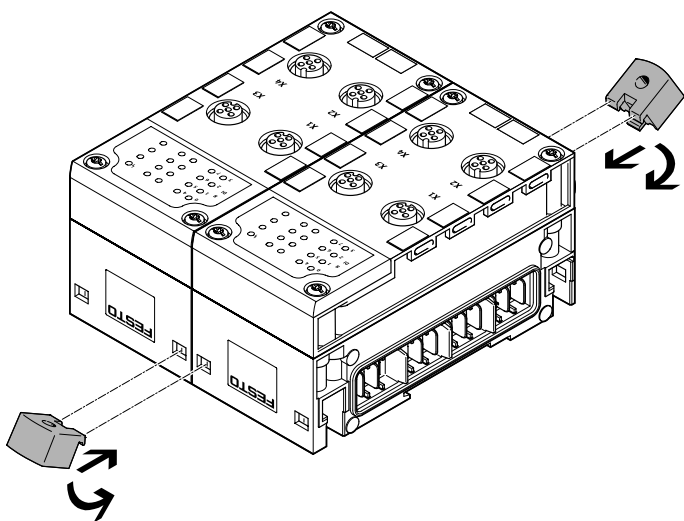
Mounting component	Mounting bracket	Wall mounting
Material mounting bracket	Galvanised steel	Steel
Material screws	Galvanised steel	Steel
Note on materials	RoHS-compliant	
LABS (PWIS) conformity	VDMA24364-B2-L	

### Operational and environmental conditions – Attachment for wall mounting, version for metal linking plates for terminal CPX

Corrosion resistance class CRC <sup>1)</sup>	1 - Low corrosion stress
-------------------------------------------------	--------------------------

1) More information at [www.festo.com/x/topic/kbk](http://www.festo.com/x/topic/kbk)

### General technical data – Attachment for wall mounting, version for polymer interlinking plates for terminal CPX



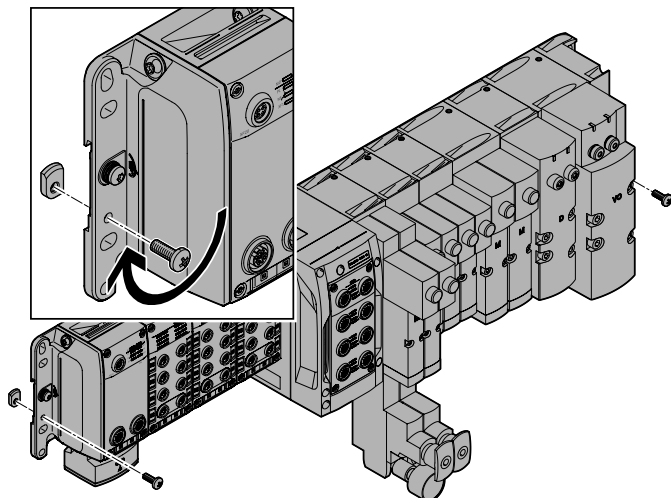
Product weight	24 g
----------------	------

### Materials – Attachment for wall mounting, version for polymer interlinking plates for terminal CPX

Note on materials	RoHS-compliant	
LABS (PWIS) conformity	VDMA24364-B2-L	

## Datasheet

### General technical data – Mounting for DIN rail for terminal CPX and remote I/O system CPX-AP-A



Allocation	Version X1	Version X5
Type of mounting	–	Threaded
Max. tightening torque	–	1.3 Nm
Tolerance for tightening torque	–	±10%
Product weight	12 g	10 g

### Material – Mounting for DIN rail for terminal CPX and remote I/O system CPX-AP-A

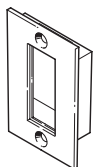
Allocation	Version X1	Version X5
Material mounting bracket	–	Galvanised steel
Material screws	–	Galvanised steel
Note on materials	–	RoHS-compliant
LABS (PWIS) conformity	VDMA24364-B2-L	

### Operating and environmental conditions – Mounting for DIN rail for CPX terminal and remote I/O system CPX-AP-A

Allocation	Version X1	Version X5
Corrosion resistance class CRC <sup>1)</sup>	–	1 - Low corrosion stress

1) More information at [www.festo.com/x/topic/kbk](http://www.festo.com/x/topic/kbk)

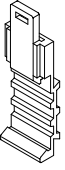
### Materials – Panel frame for pneumatic timer PZVT



Note on materials	RoHS-compliant
LABS (PWIS) conformity	VDMA24364-B1/B2-L

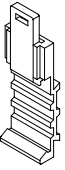
## Datasheet

### Materials – Mounting base for pneumatic timer PZVT



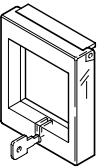
LABS (PWIS) conformity	VDMA24364-B1/B2-L
------------------------	-------------------

### Materials – Mounting plate for pneumatic timer PZVT



LABS (PWIS) conformity	VDMA24364-B1/B2-L
------------------------	-------------------

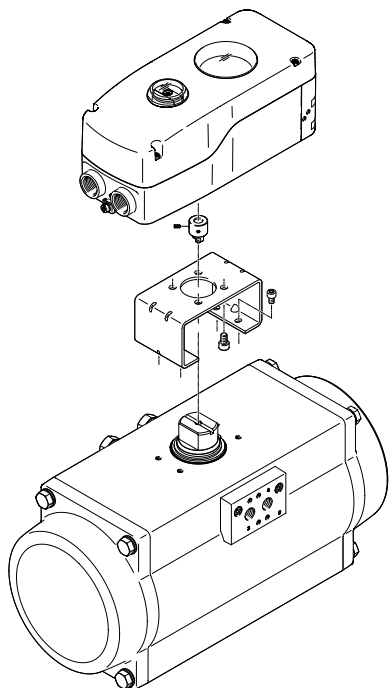
### Materials – Protective caps for pneumatic counters



LABS (PWIS) conformity	VDMA24364-B1/B2-L
------------------------	-------------------

## Datasheet

### General technical data – Mounting flange adapter for positioners and quarter turn actuators for process automation with VDI/VDE 3845-1 interface

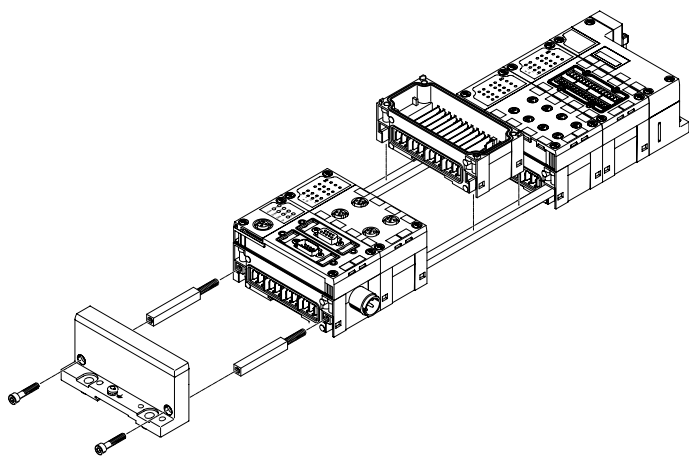


Size	AA 1 to VDI/VDE 3845	AA 2 to VDI/VDE 3845	AA 3 to VDI/VDE 3845	AA 4 to VDI/VDE 3845
Mounting size	Mounting hole pattern 30 x 80 mm, shaft height 20 mm	Mounting hole pattern 30 x 80 mm, shaft height 30 mm	Mounting hole pattern 30 x 130 mm, shaft height 30 mm	Mounting hole pattern 30 x 130 mm, shaft height 50 mm
Type of mounting	To VDI/VDE 3845			

### Materials – Mounting flange adapter for positioners and quarter turn actuators for process automation with VDI/VDE 3845-1 interface

Material mounting bridge	High-alloy stainless steel
Material screws	High-alloy stainless steel
Note on materials	RoHS-compliant
LABS (PWIS) conformity	VDMA24364 zone III

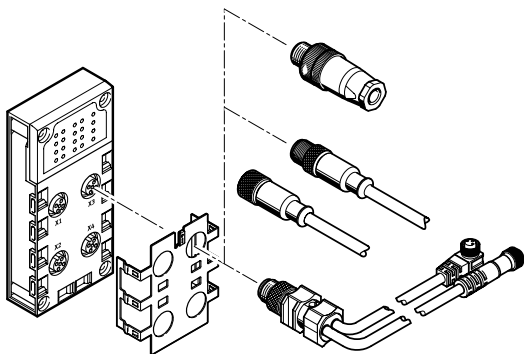
### Materials – Tie rod for terminal CPX



LABS (PWIS) conformity	VDMA24364-B2-L
------------------------	----------------

## Datasheet

### General technical data – Screening plate for terminal CPX for modules with M12 connection



Product weight	20 g
----------------	------

### Materials – Screening plate for terminal CPX for modules with M12 connection

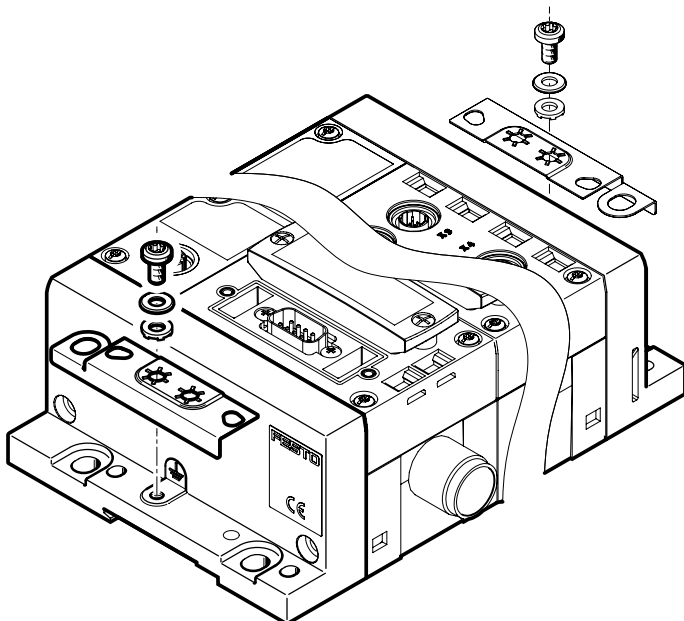
LABS (PWIS) conformity	VDMA24364-B2-L
------------------------	----------------

### Operating and environmental conditions – Screening plate for terminal CPX for modules with M12 connection

Ambient temperature	-5 ... 50°C
Corrosion resistance class CRC <sup>1)</sup>	2 - Moderate corrosion stress
Relative air humidity	Non-condensing
Degree of protection	IP65, IP67, In assembled state, To IEC 60529

1) More information at [www.festo.com/x/topic/kbk](http://www.festo.com/x/topic/kbk)

### General technical data – Earthing component for right/left end plate for terminal CPX



Width	15.3 mm
Height	7.4 mm
Length	64.3 mm
Product weight	8 g

### Materials – Earthing component for right/left end plate for terminal CPX

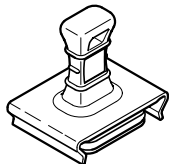
LABS (PWIS) conformity	VDMA24364-B2-L
------------------------	----------------

## Datasheet

### Operating and environmental conditions – Earthing component for right/left end plate for terminal CPX

Degree of protection	IP65, IP67
----------------------	------------

### General technical data – Cover cap for bus connection for bus nodes CPX-M-FB44 and CPX-M-FB45



Product weight	2.5 g
----------------	-------

### Materials – Cover cap for bus connection for bus nodes CPX-M-FB44 and CPX-M-FB45

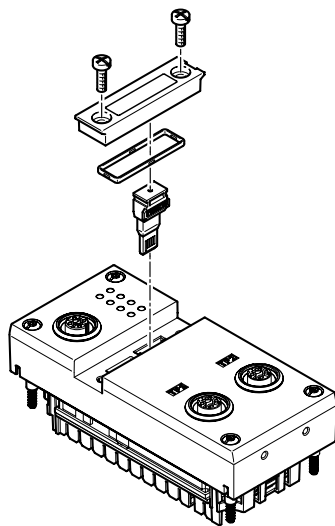
Material cover	PA
Material seals	NBR
Note on materials	RoHS-compliant
LABS (PWIS) conformity	VDMA24364-B2-L

### Operating and environmental conditions – Cover cap for bus connection for bus node CPX-M-FB44 and CPX-M-FB45

Corrosion resistance class CRC <sup>1)</sup>	2 - Moderate corrosion stress
Degree of protection	IP65, IP67, In assembled state, To IEC 60529

1) More information at [www.festo.com/x/topic/kbk](http://www.festo.com/x/topic/kbk)

### General technical data – Cover for DIL switch and memory card for bus node CPX



Housing material	Metal	Polymer
Width	11.5 mm	–
Height	13 mm	–
Length	49 mm	–
Product weight	15 g	4 g

## Datasheet

### Materials – Cover for DIL switch and memory card for bus node CPX

Housing material	Metal	Polymer
Material cover	Die-cast aluminium	PA
Material seals	NBR	
Material screws	Steel, Galvanised	
Note on materials	RoHS-compliant	
LABS (PWIS) conformity	VDMA24364-B2-L	

### Operating and environmental conditions – Cover for DIL switch and memory card for CPX bus node

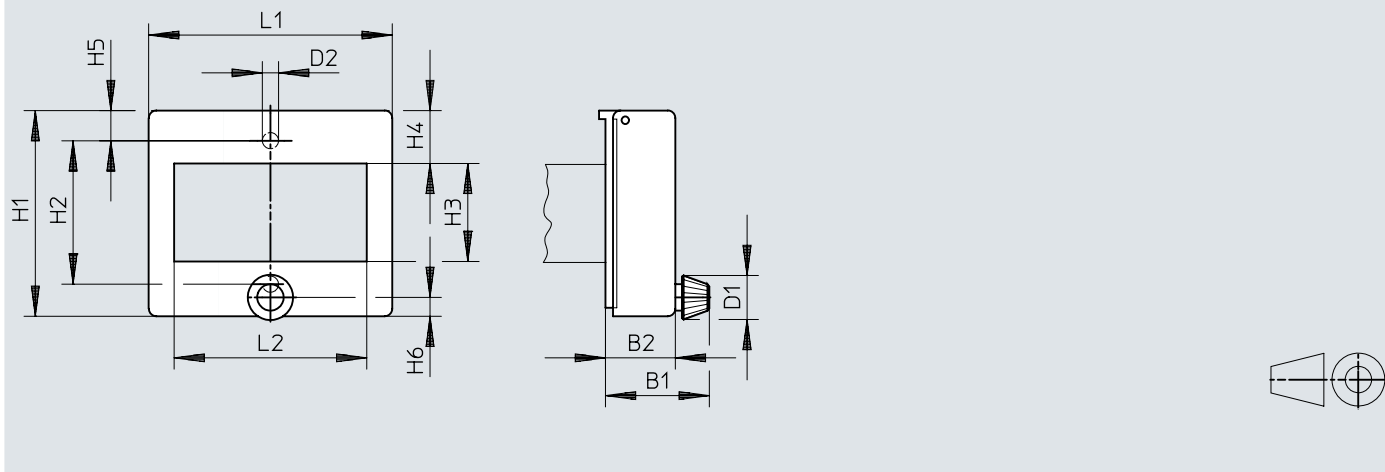
Housing material	Metal	Polymer
Ambient temperature	-5 ... 50°C	
Corrosion resistance class CRC <sup>1)</sup>	0 - No corrosion stress	1 - Low corrosion stress
Relative air humidity	5 - 90%, Non-condensing	
Degree of protection	IP65, IP67, In assembled state, To IEC 60529	

1) More information at [www.festo.com/x/topic/kbk](http://www.festo.com/x/topic/kbk)

## Dimensions

Dimensions – Protective cap with rotary knob PZ-SK-1

Download CAD data [www.festo.com](http://www.festo.com)

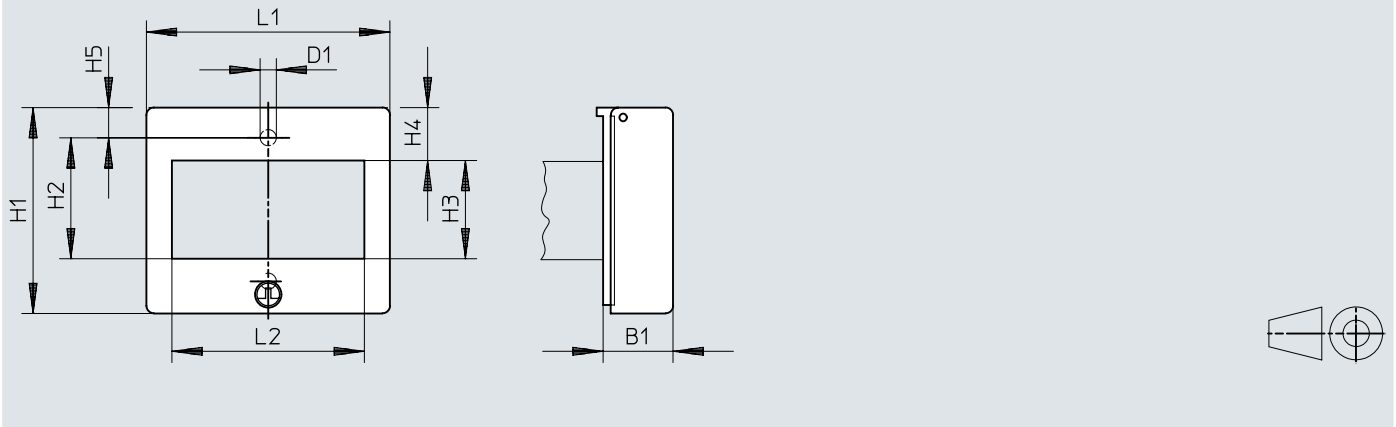


	B1	B2	D1 ∅	D2 ∅	H1	H2	H3	H4	H5	H6	L1	L2
PZ-SK-1	27,5	18,5	12	4,3	54,5	38	26	14	8	5	64,5	51

## Dimensions

### Dimensions – Protective cap with lock PZ-SS-1

Download CAD data [www.festo.com](http://www.festo.com)

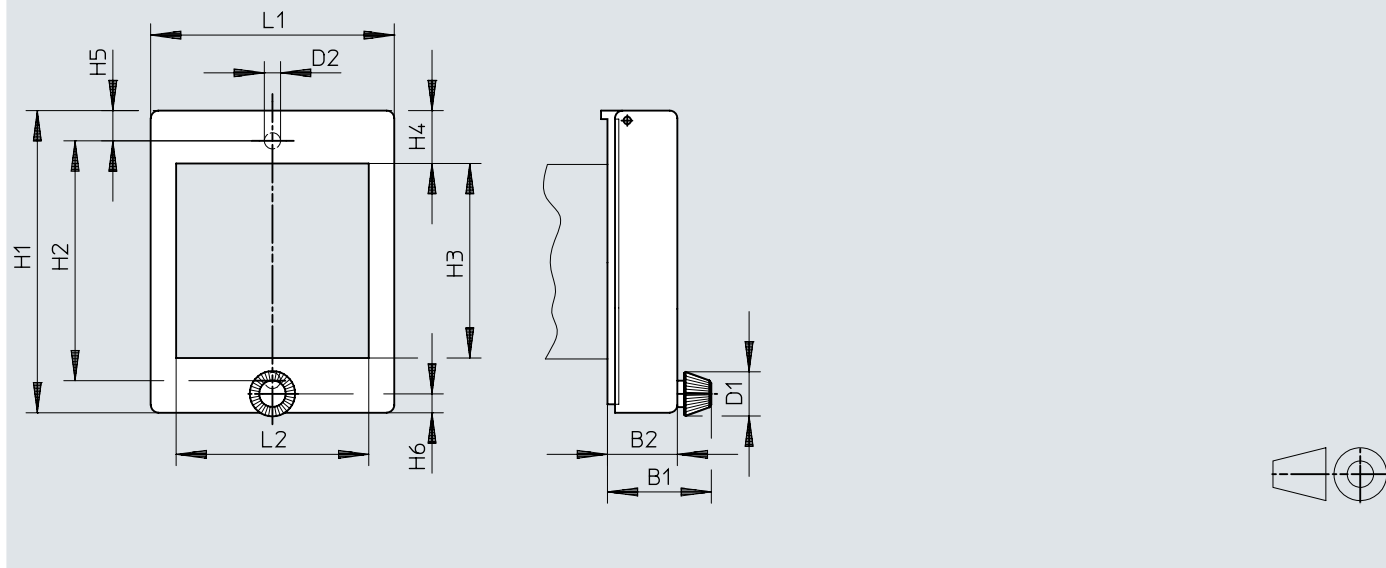


	B1	D1 ∅	H1	H2	H3	H4	H5	L1	L2
PZ-SS-1	18,5	4,3	54,5	32	26	14	8	64,5	51

## Dimensions

### Dimensions – Protective cap with rotary knob PZ-SK-2

Download CAD data [www.festo.com](http://www.festo.com)

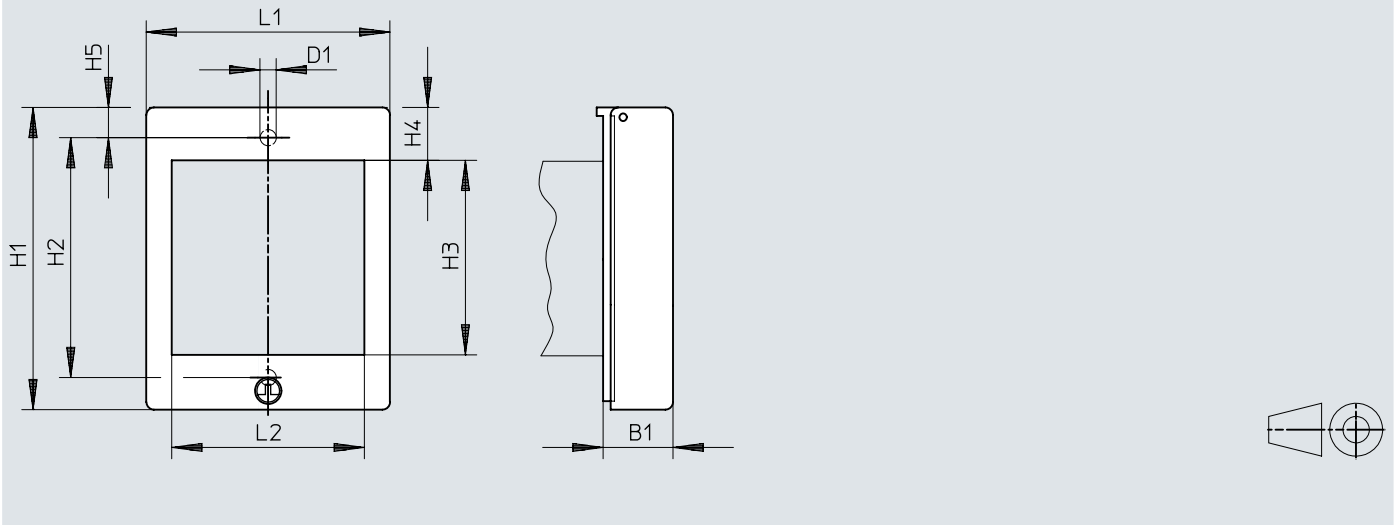


	B1	B2	D1 ∅	D2 ∅	H1	H2	H3	H4	H5	H6	L1	L2
PZ-SK-2	27,5	18,5	12	4,3	80	63	51	14	8	5	64,5	51

## Dimensions

Dimensions – Protective cap with lock PZ-SS-2

Download CAD data [www.festo.com](http://www.festo.com)

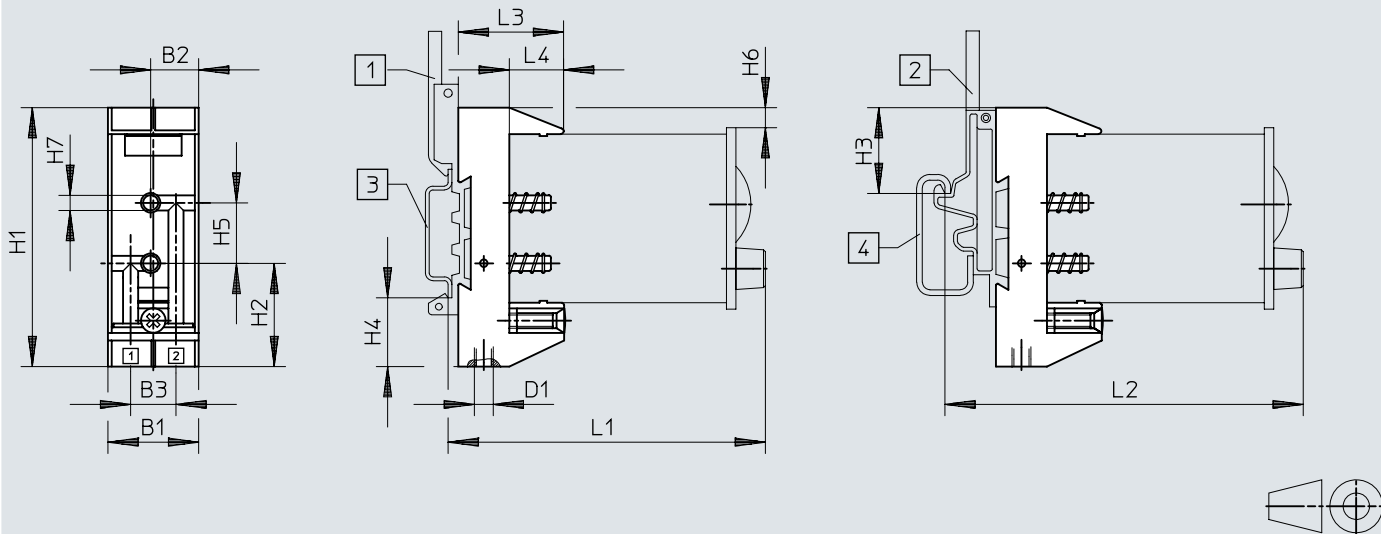


	B1	D1 ∅	H1	H2	H3	H4	H5	L1	L2
PZ-SS-2	18,5	4,3	80	63	51	14	8	64,5	51

## Dimensions

### Dimensions – Mounting base PZVT-S-DIN

Download CAD data [www.festo.com](http://www.festo.com)



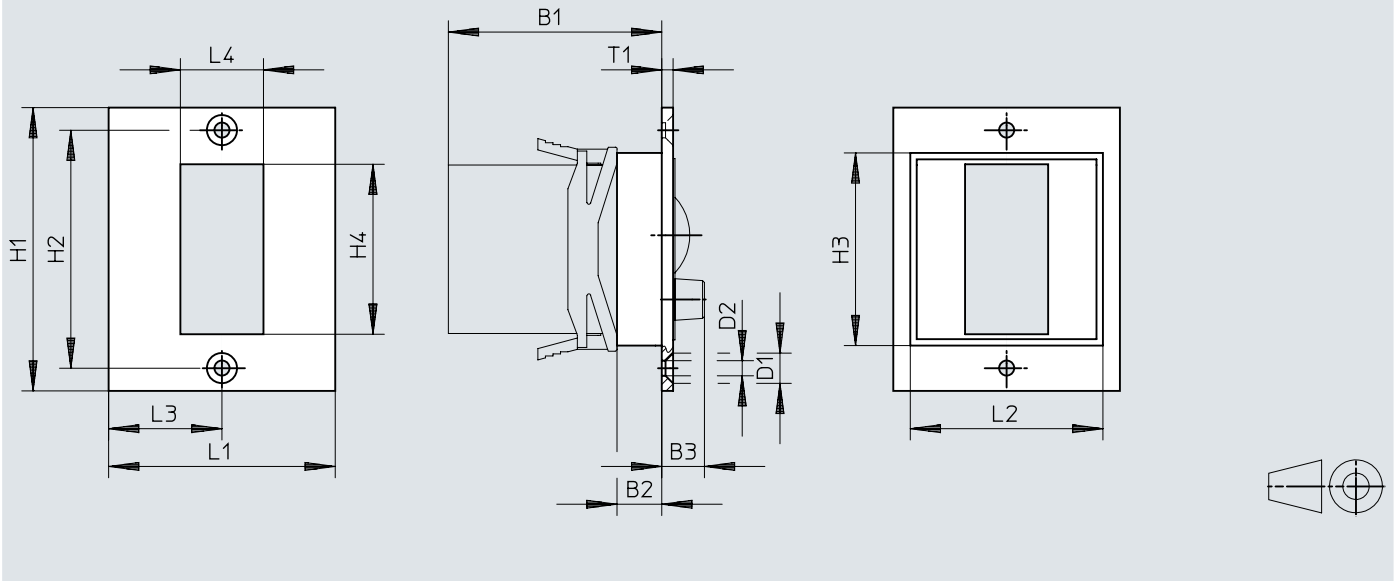
- [1] Mounting plate MPL-MUS/PZ-H
- [2] Mounting plate MPL-MUS/PZ-G
- [3] DIN rail to EN 60715
- [4] G-rail according to DIN 50035

	B1	B2	B3	D1	H1	H2	H3	H4	H5	H6	H7	L1	L2	L3	L4
PZVT-S-DIN	24	12,7	12	M5	68,5	27,3	~20	20	16	5,3	4	~84	~94	28	14,5

## Dimensions


### Dimensions – Panel frame PZVT-FR


Download CAD data [www.festo.com](http://www.festo.com)

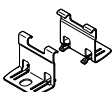



	B1	B2	B3	D1 ∅	D2 ∅	H1	H2	H3	H4	L1	L2	L3	L4	T1
PZVT-FR	56,5	12	11,3	8,2	4,3	75	63	51	45	60	51	30	22	3

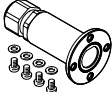
## Ordering data

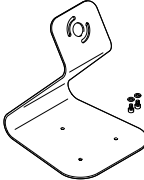
Ordering data – Mounting for DIN rail for electrical connection block CAPC				
	Mounting component	Allocation	Part no.	Type
	H-rail mounting	Version F1	570043	CAFM-F1-H

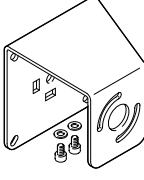
Ordering data – Mounting for DIN rail for the remote I/O system CPX-AP-I				
	Mounting component	Allocation	Part no.	Type
	H-rail mounting	Version X4	8095158	CAFM-X4-H

Ordering data – Attachment for wall mounting for remote I/O system CPX-AP-A				
	Mounting component	Allocation	Part no.	Type
	Mounting bracket	Version X5	8130844	CAFM-X5-A

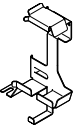
Ordering data – Mounting for fastening to support system with valve terminal VTSA/VTSA-F/VTSA-F-CB for remote I/O system CPX-AP-A				
	Mounting component	Allocation	Part no.	Type
	Mounting kit	Version X5	8130845	CAFM-X5-K

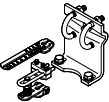
Ordering data – Retainer for operator units CDPX				
	Mounting component	Allocation	Part no.	Type
	Retaining bracket	Version D4	8155226	CAFM-D4-Q


Ordering data – Table stand for operator units CDPX				
	Mounting component	Allocation	Part no.	Type
	Table base	Version D4	8155225	CAFM-D4-DE


Ordering data – VESA adapter for operator units CDPX				
	Mounting component	Allocation	Part no.	Type
	VESA adapter	Version D4	8155224	CAFM-D4-VE


## Ordering data

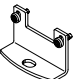
Ordering data – Retainer for operator unit CDSA					
	Mounting component	Allocation	Part no.	Type	
	Wall mounting	Version D4	8127358	CAFM-D4-W	


Ordering data – Mounting kit for linear actuators/diaphragm actuators with interface to IEC 60534-6-1, NAMUR 004					
	Mounting component	Connection pattern	Additional features	Part no.	Type
	Mounting kit	Linear actuators to IEC 60534-6-1, NAMUR 004	None	8091822	CAFM-M1-K-N2
			Reduced kit	8091823	CAFM-M1-K-R1-N2

Ordering data – Coupling for positioner CMSH					
	Mounting component	Allocation	Connection pattern	Part no.	Type
	Coupling kit	Version M1	For quarter turn actuators to IEC 60534-6-2, VDI/VDE 3845-1	8154713	CAFM-M1-CK-N1
			Quarter turn actuators to VDI/VDE 3847-2	8154714	CAFM-M1-CK-N3


Ordering data – Screws for attaching an inscription label to the bus node CPX-M-FB45					
	Series	Mounting component	Mechanical connection	Part no.	Type
	Individual component for electrical terminal CPX	Screw/screws	M2.5	550222	CPX-M-M2,5X8-12X


Ordering data – Screws for attaching the bus node/connection block to the interlinking block, for terminal CPX					
	Mounting component	Mechanical connection	Additional features	Part no.	Type
	Screw/screws	M3	Captive element	550216	CPX-M-M3X22-S-4X
	Self-tapping screw	Standard		550218	CPX-DPT-30X32-S-4X
	Screw/screws	M3	Release safeguard	550219	CPX-M-M3X22-4X

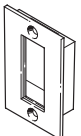
Ordering data – Attachment for wall mounting, version for metal interlinking plates for terminal CPX					
	Series	Mounting component	Allocation	Part no.	Type
	Individual component for electrical terminal CPX	Mounting bracket		2721419	CPX-M-BG-VT-2X
		Wall mounting	Version X2	550217	CPX-M-BG-RW-2X

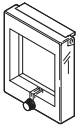
Ordering data – Attachment for wall mounting, version for polymer interlinking plates for terminal CPX					
	Series	Mounting component	Allocation	Part no.	Type
	Individual component for electrical terminal CPX	Wall mounting	Version X1	529040	CPX-BG-RW-10X

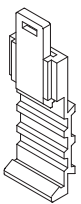
## Ordering data

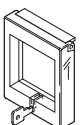
Ordering data – Mounting for DIN rail for the remote I/O system CPX-AP-A				
	Mounting component	Allocation	Part no.	Type
	H-rail mounting	Version X5	<b>8159824</b>	<b>CAFM-X5-H</b>

Ordering data – Mounting for DIN rail for terminal CPX					
	Series	Mounting component	Allocation	Part no.	Type
	Individual component for electrical terminal CPX	Clamping piece	Version X1	<b>526032</b>	<b>CPX-CPA-BG-NRH</b>

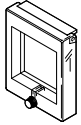
Ordering data – Panel frame for pneumatic timer PZVT					
	Mounting component	Series	Allocation	Part no.	Type
	Front panel mounting kit	Timer	Version C2	<b>150241</b>	<b>PZVT-FR</b>

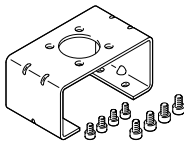
Ordering data – Mounting base for pneumatic timer PZVT					
	Mounting component	Series	Allocation	Part no.	Type
	Mounting plate	Timer	Version C2	<b>150240</b>	<b>PZVT-S-DIN</b>

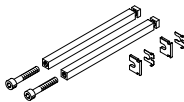
Ordering data – Mounting plate for pneumatics timer PZVT				
	Mounting component	Allocation	Part no.	Type
	H-rail mounting	Version C2	<b>19135</b>	<b>MPL-MUS/PZ-H</b>

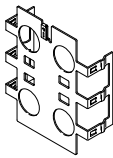
Ordering data – Protective cap with lock for pneumatic counters and pneumatic timers				
	Additional features	Mounting size	Part no.	Type
	Lock	2	<b>13966</b>	<b>PZ-SS-2</b>
		1	<b>13965</b>	<b>PZ-SS-1</b>


## Ordering data

Ordering data – Protective cap with rotary knob for pneumatic counters and pneumatic timers				
	Additional features	Mounting size	Part no.	Type
	Rotary knob	2	14663	PZ-SK-2
		1	14662	PZ-SK-1

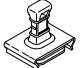
Ordering data – Mounting flange adapter for positioners and quarter turn actuators for process automation with VDI/VDE 3845-1 interface					
	Connection pattern	Size	Product weight	Part no.	Type
	For quarter turn actuators to IEC 60534-6-2, VDI/VDE 3845-1	AA 1 to VDI/VDE 3845	354 g	8148117	CAFM-M1-K-N1-AA1
		AA 2 to VDI/VDE 3845	385 g	8148118	CAFM-M1-K-N1-AA2
		AA 3 to VDI/VDE 3845	462 g	8148119	CAFM-M1-K-N1-AA3
		AA 4 to VDI/VDE 3845	524 g	8148120	CAFM-M1-K-N1-AA4

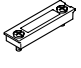
Ordering data – Tie rods for terminal CPX						
	Mounting component	Allocation	Mounting size	Product weight	Part no.	Type
	Tie rod	Version X1	1		525418	CPX-ZA-1-E
				41 g	195718	CPX-ZA-1
			2	71 g	195720	CPX-ZA-2
			3	97 g	195722	CPX-ZA-3
			4	127 g	195724	CPX-ZA-4
			5	156 g	195726	CPX-ZA-5
			6	173 g	195728	CPX-ZA-6
			7	199 g	195730	CPX-ZA-7
			8	247 g	195732	CPX-ZA-8
			9	274 g	195734	CPX-ZA-9
10	301 g	195736	CPX-ZA-10			

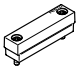
Ordering data – Screening plate for terminal CPX for modules with M12 connection				
	Protective devices	Allocation	Part no.	Type
	Screening plate	Version X1	526184	CPX-AB-S-4-M12

Ordering data – Earthing component for right/left end plate for terminal CPX				
	Protective devices	Allocation	Part no.	Type
	Contact plate	Version X1	538892	CPX-EPFE-EV

## Ordering data

Ordering data – Cover cap for bus connection for bus nodes CPX-M-FB44 and CPX-M-FB45			
	Degree of protection	Part no.	Type
	IP65, IP67, In assembled state, To IEC 60529	<b>2873540</b>	<b>CPX-M-AK-D</b>

Ordering data – Cover for DIL switch and memory card for bus node CPX-FB43				
	Housing material	Degree of protection	Part no.	Type
	Polymer	IP65, IP67, In assembled state, To IEC 60529	<b>548757</b>	<b>CPX-AK-P</b>

Ordering data – Cover for DIL switch and memory card for bus node CPX-M-FB44 and CPX-M-FB45				
	Housing material	Degree of protection	Part no.	Type
	Metal	IP65; IP67; In assembled state; To IEC 60529	<b>548754</b>	<b>CPX-M-AK-M</b>