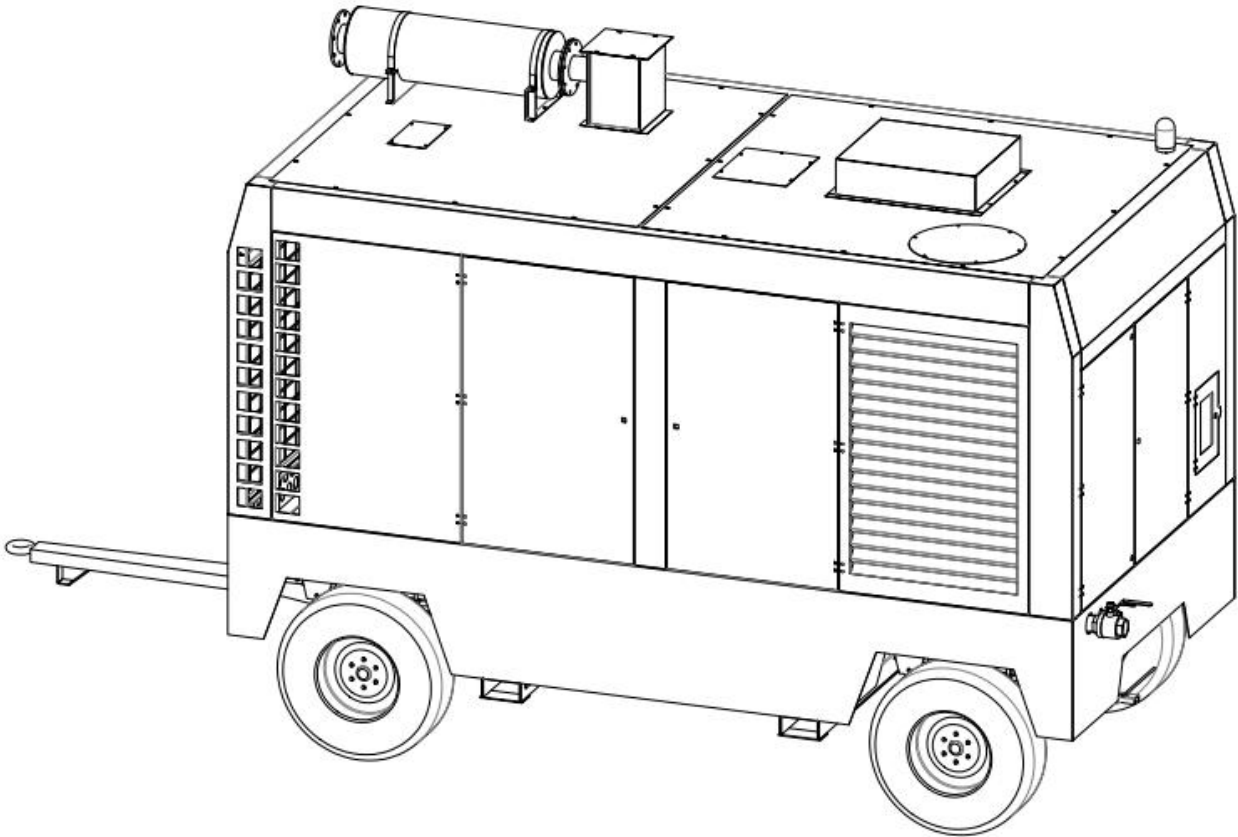
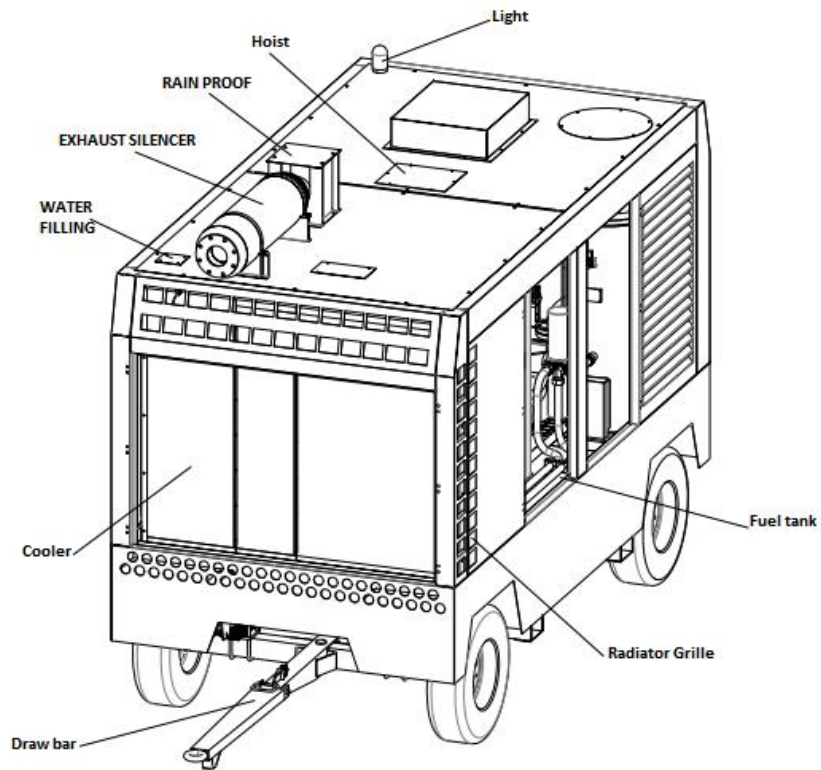
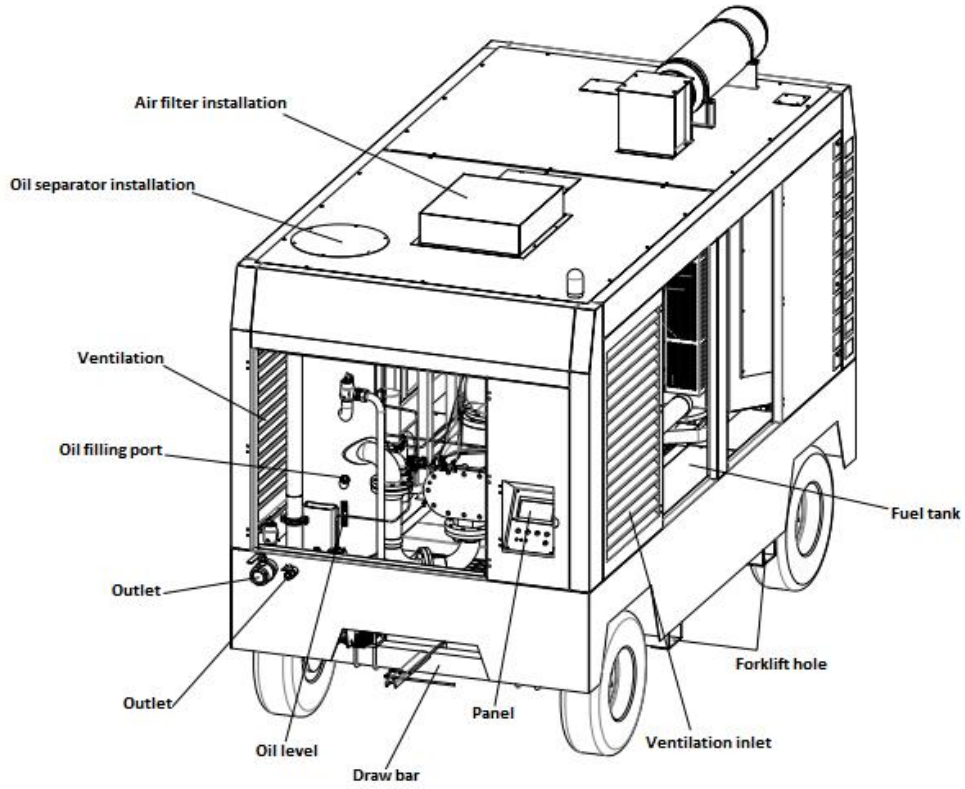


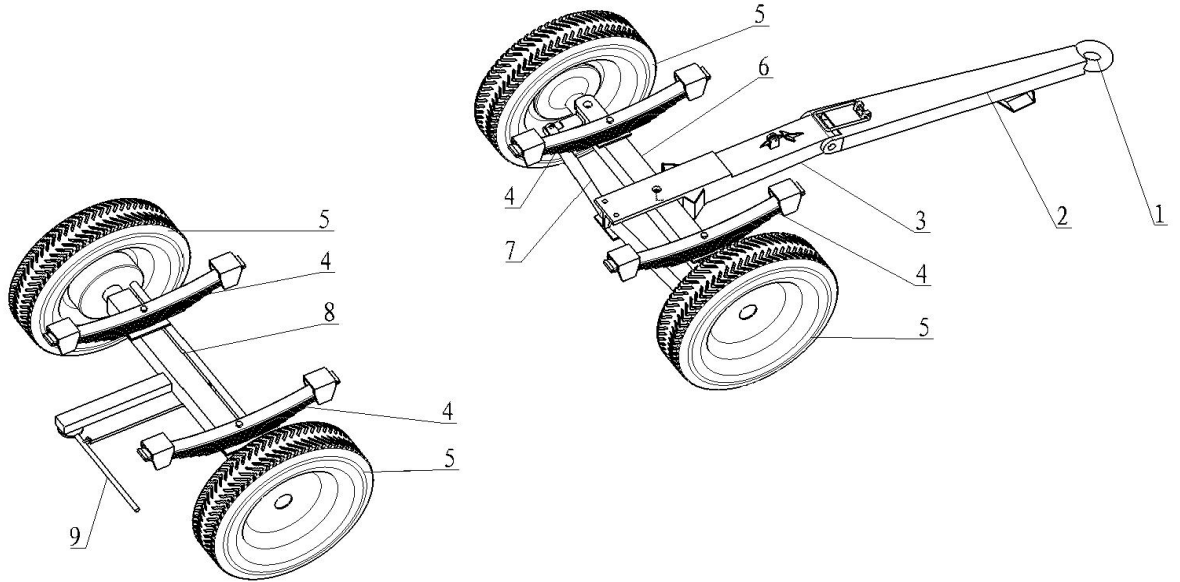
DACY-33/35 PARTS BOOK



1. Appearance

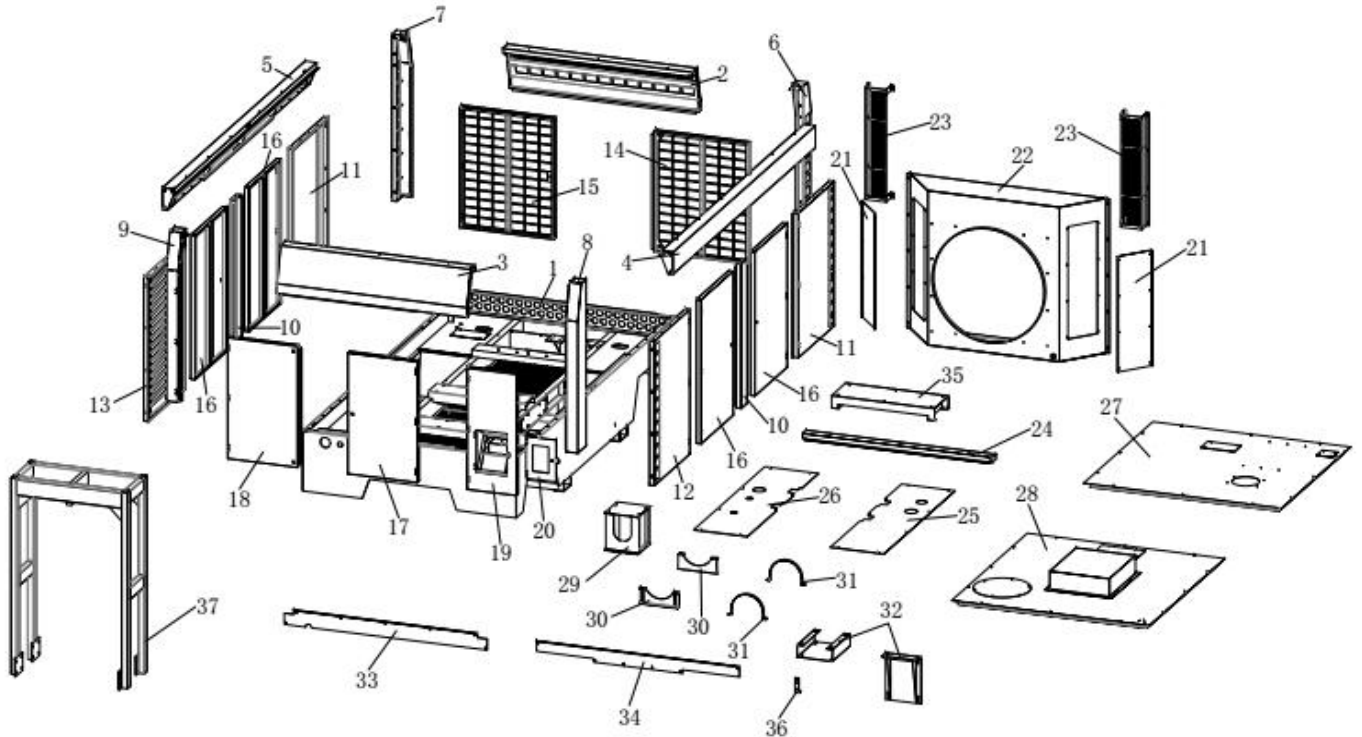


2. Frame



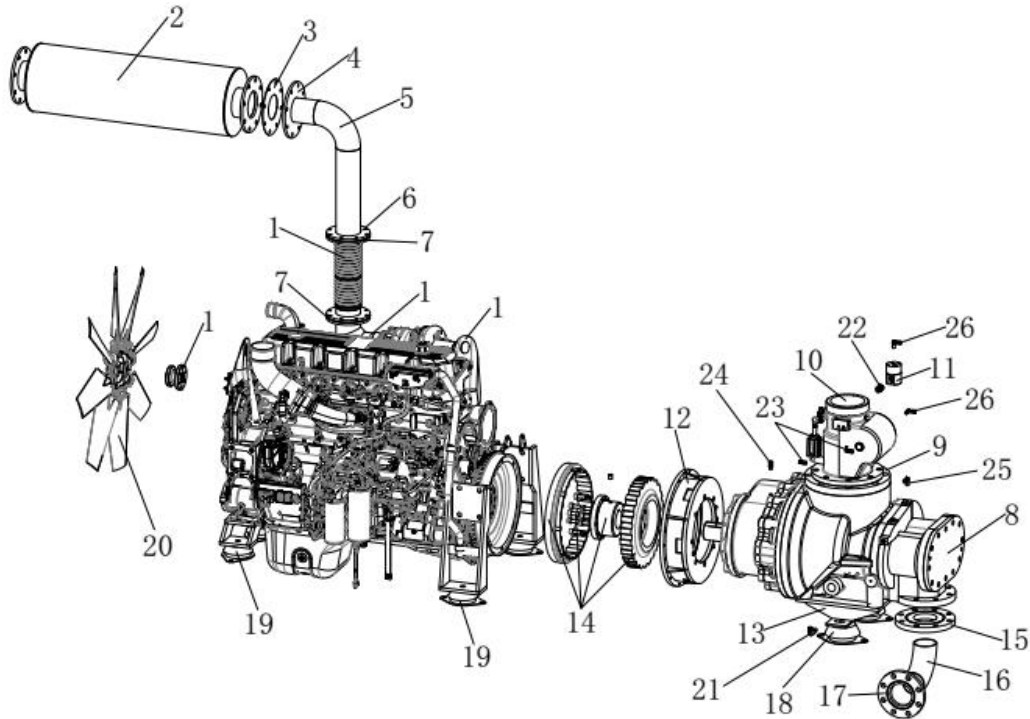
No.	Code	Name	Qty
1	22092400AA	Walking frame group	1
2	22092400AA01	Towing ring	1
3	22092400AA02	Towing bar	1
4	22092400AA03	Pivot	1
5	22092400AA04	Plate spring	4
6	22092400AA05	Tire	4
7	22092400AA06	Frontshaft	1
8	22092400AA07	Pull rod	2
9	22092400AA08	Backshaft	1
10	22092400AA09	Brake lug	1

3. Metal Plate



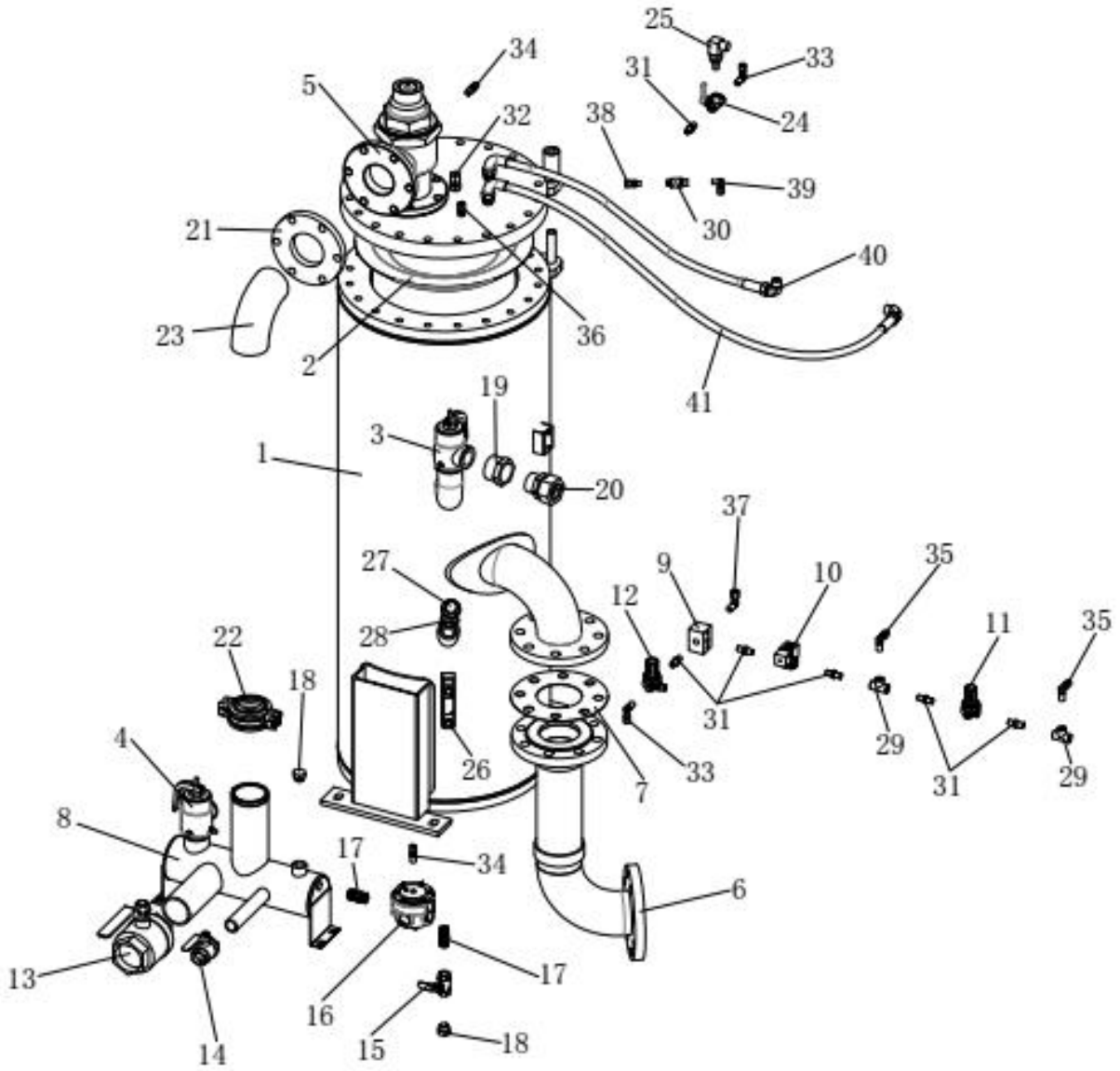
No.	Code	Name	Qty	No.	Code	Name	Qty
1	2204242401AA00	Under-frame	1	20	2204OX1503DA	Panel door plank	1
2	2204OX24100AA	Front crossbar	1	21	2204OX24104AA	Manhole plate	2
3	2204OX24101AA	Back crossbar	1	22	2204OX2434AA	Wind scooper	1
4	2204OX2498AA	Left front crossbar	1	23	2204OX2441AA	Fan guide	2
5	2204OX2499AA	Right front crossbar	1	24	2204OX24105AA	Head beam	1
6	2204OX2423AA	Left front angle plate	1	25	2204OX2485AA	Left fuel tank plate	1
7	2204OX2424AA	Right front angle plate	1	26	2204OX2484AA	Right fuel tank plate	1
8	2204OX2425AA	Left back angle plate	1	27	2204OX2465AA	Top plate A(front)	1
9	2204OX2426AA	Right back angle plate	1	28	2204OX2466AA	Top plate B(back)	1
10	2204OX2430AA	Column	2	29	2204OX2489AA	Rain proof	1
11	2204OX2494AA	Door plank	2	30	2204242424AA	Silencer support	2
12	2204OX2495AA	Left back door plank	1	31	2204242443AA	Silencer clamp	2
13	2204OX2497AA	Right back door plank	1	32	2204OX2477AA	Engine AF support	1
14	2204OX2405AA	Left front door plank	1			Unit AF support	1
15	2204OX2406AA	Right front door plank	1	33	2204OX2473AA	Radiator top flap	1
16	2204OX2413AA	Door plant	4	34	2204OX2474AA	Radiator down flap	1
17	2204OX2415AA	Left back door plank	1	35	2204242464AA	Wind scooper support	1
18	2204OX2416AA	Right back door plank	1	36	2204OX2490AA02	Dead plate for proportional valve	1
19	2204OX24102AA	Left back fixed plank	1	37	2204242421AA	Lifting frame	1

4. Engine



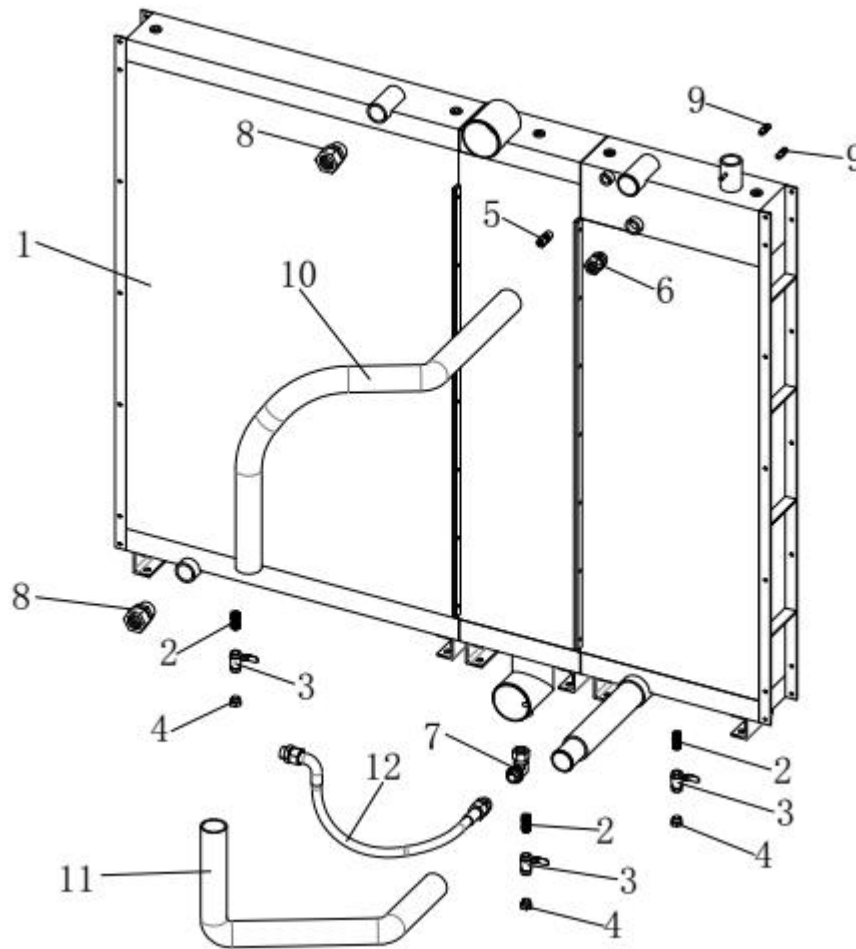
DACY-33/35							
No.	Code	Name	Qty	No.	Code	Name	Qty
1	17241AA	Engine, KTA19-P680	1	14	1311285438L1263500	Coupling	1
2	1326CY35	Silencer, 1201010-CAXSQ120	1	15	1317309	Air end outlet flange	1
3	15071003	Silencer inlet flange liner	1	16	1315108	Ell $\Phi 108$	1
4	1317306	Silencer inlet flange	1	17	1317307	Compensator inlet flange	1
5	1315130	Ell $\Phi 114.3 \times 1.6$	1	18	1509116	Crash pad M4	2
6	1317305	Exhaust corrugated pipe outlet flange	1	19	1509101	Crash pad M3	4
7	15071002	Liner of 1317305	2	20	1422704	Fan blade	1
8	12011AB2600I3	Air end DNA2600, I=1.88	1	21	1304KT2025	Cutting sleeve elbow connection R3/8, $\Phi 8$, L50	1
9	1317024	Intake valve flange	1	22	13041005	Nipple straight joint R1/2, R1/2	1
10	1403L160H	Intake valve L160-H	1	23	13042033	Sebific duct elbow connection R1/8, $\Phi 6 \times 1.5$	2
11	1423021	Relieving valve(closed) LCUV1	1	24	1304KT1006	Cutting sleeve straight joint R1/4, $\Phi 8$	1
12	22022411AA	Center rest	1	25	1304KT2005	Cutting sleeve elbow connection R1/4, $\Phi 8$	1
13	2204242403AA	Air end support	1	26	13042035	Sebific duct elbow connection R1/4, $\Phi 6 \times 1.5$	2

5. Oil gas tank



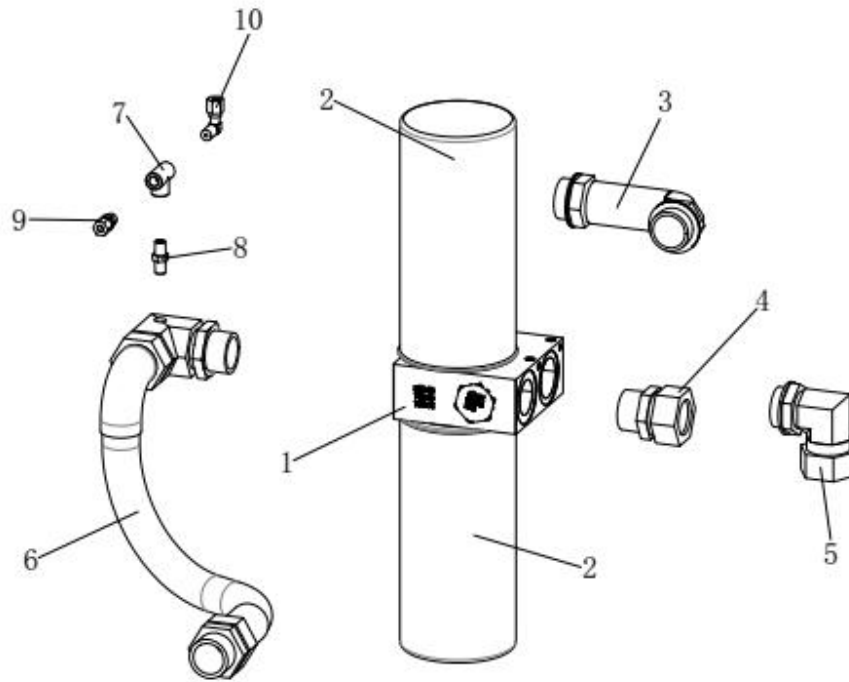
DACY-33/35							
No.	Code	Name	Qty	No.	Code	Name	Qty
1	22012400CYAA	Oil tank	1	22	13049008	Elastic joint,Φ89	1
2	1503F904	Oil gas separator	1	23	131589	Ell, Φ89	1
3	1404121	Hand safety valve	1	24	13048020	Way ball valve,G1/4 (Stainless steel)	1
4	1404120	Hand safety valve	1	25	1412144	Pressure sensor	1
5	1406MPV80S	MPV	1	26	1327Z90	Oil level	1
6	13302035	Exhaust compensator	1	27	1305206	Oil cock G1	1
7	15072086	Compensator flange liner	1	28	15072055	Gland, inner diameter Φ33	1
8	2204242423AA	Buffer tank	1	29	13043001	Interior plug tee G1/4	2
9	1304A068	Three-way block	1	30	13047002	Check valve G1/8,Φ2.0	1
10	140117	Solenoid valve, two-position three way, closed	1	31	13041083	Nipple straight joint R1/4, R1/4, DN5.5	6
11	1423013	Inverse PV LPN	1	32	1304KT1010	Cutting sleeve elbow connection R1/2, Φ8(DN8)	1
12	1423004	Direct PV LP5E	1	33	1304KT2006	Cutting sleeve elbow connection R1/4,Φ6	2
13	13048029	Ball valve G3"	1	34	1304KT1004	Cutting sleeve straight connection R1/4,Φ6	2
14	13048008	Ball valve G1"	1	35	13042035	Sebific duct elbow connection R1/4, Φ6*1.5	2
15	13048016	Ball valve G1/2"	1	36	1304KT2005	Cutting sleeve elbow connection R1/4,Φ8	1
16	1423086	Relieving valve, closed LCV20E	1	37	1304KT1006	Cutting sleeve straight connection R1/4,Φ8	1
17	13041005	Straight joint R1/2,R1/2	1	38	1304KT1002	Cutting sleeve straight connection R1/8,Φ8	1
18	1305204	End cap G1/2	2	39	1304KT2002	Cutting sleeve elbow connection R1/8,Φ8	1
19	13045015	Bushing R2, R11/2(inner)	1	40	13301116	Control pipe G1/2, L1000	1
20	1304KT1046	Cutting sleeve straight connection R11/2, Φ42	1	41	13301115	Control pipe G1/2, L1300	1
21	1317308	MPV outlet flange	1				

6. Radiator

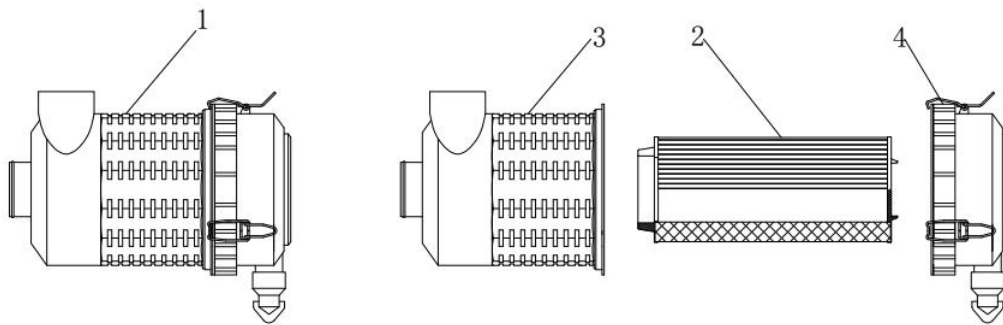


No.	Code	Name	Qty
1	1421A09	Radiator	1
2	13041005	Nipple straight joint R1/2,R1/2	3
3	13048016	Ball valve G1/2"	3
4	1305204	End cap G1/2	3
5	13042043	Sebific duct elbow connection R1/2,Φ12*1.5	1
6	1304KT1018	Cutting sleeve straight joint R1,Φ28	1
7	1304KT2078	Adjustable cutting sleeve elbow connection G1,Φ28	1
8	1304KT1046	Cutting sleeve straight connection R11/2,Φ42	2
9	13041041	Sebific duct straight joint R1/4,Φ6*1	2
10	22052417AA	Engine water inlet pipe	1
11	22052419AA	Engine water outlet pipe	1
12	13301113	Engine water filling pipe	1

7. Temperature valve assemblage



No.	Code	Code	Qty
1	1417LTC121S52	Temperature valve LTC121S, 52°C open, G1 1/2"	1
2	1502B104	Oil filter W13145	2
3	13042052	Adjustable nipple elbow connection G1 1/2,L160,G1 1/2,L65	1
4	1304KT1046	Cutting sleeve straight joint R1 1/2,Φ42	1
5	1304KT2082	Adjustable elbow connection G11/2,Φ42	1
6	13301114	Oil pipe, G11/2*1000 single bent, with oil hole 1/4,S304(DN32)	1
7	13043001	Interior plug tee G1/4	1
8	13041083	Nipple straight joint R1/4,R1/4,DN5.5	1
9	1304KT1006	Cutting sleeve straight joint R1/4,Φ8	1
10	1304KT2005	Cutting sleeve elbow connection R1/4,Φ8	1

8. Air filter assemblage

No.	Code	Name	Qty
1	150113801	Air filter assemblage	2
2	150123801	Air filter element	2
3		Air filter plastic cover	2
4		End cap for air filter plastic cover	2

9. Pipes

