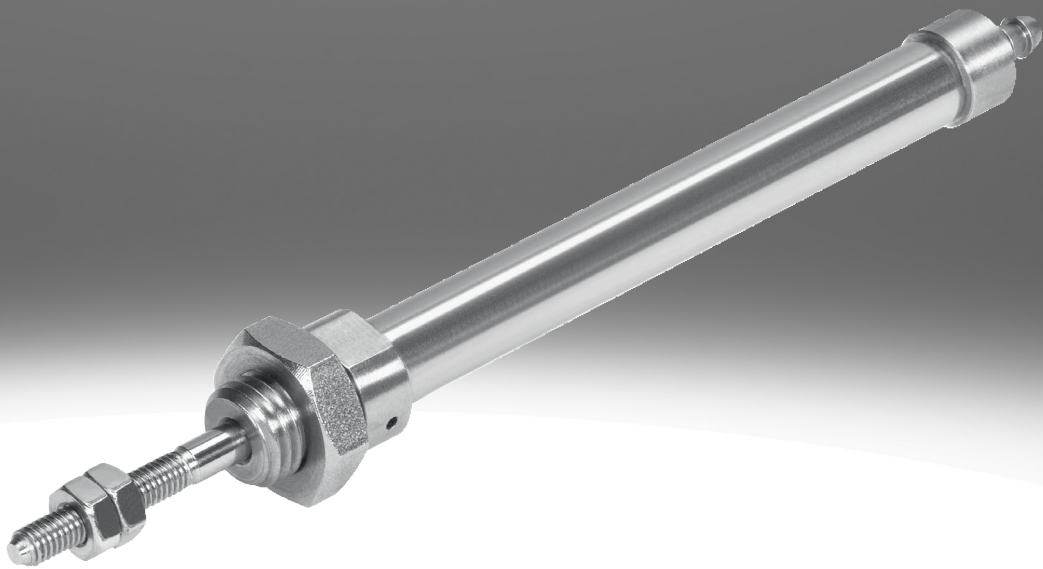


Round cylinder EG-PK

FESTO



Characteristics

At a glance

Link [eg-pk](#)

Pneumatic cylinders in miniature design:

- The slim design makes these cylinders especially suitable for compact assemblies, e.g. in testing systems for keyboards or mobile phones.
- Single-acting
- Low weight
- Ready for installation
- Corrosion-resistant
- Barbed fitting for plastic tubing with standard I.D.

Type code

001	Series
EG	Round cylinder, single-acting

002	Piston diameter [mm]
2.5	2.5
4	4
6	6

003	Stroke [mm]
5	5
10	10
15	15
20	20
25	25

004	Pneumatic connection
PK-2	Barbed connector 2 mm
PK-3	Barbed connector 3 mm

Datasheet

General technical data

Piston diameter	2.5 mm		4 mm				6 mm				
Stroke	5 mm	10 mm	5 mm	10 mm	15 mm	20 mm	5 mm	10 mm	15 mm	20 mm	25 mm
Design	Piston Piston rod Cylinder barrel										
Variants	Piston rod at one end										
Mode of operation	Pushing Single-acting										
Pneumatic connection	PK-2						PK-3				
Type of mounting	Via lock nut										
Piston rod thread	–					M2		M3			
Piston-rod end ¹⁾	No thread		Male thread								
Cushioning	No cushioning						On one side Not adjustable				
Position detection	Without										
Mounting position	optional										
Product weight	2 g	4 g	5 g	6 g	19 g	20 g	23 g	24 g			

1) EG-2.5 Piston rod Ø 1 mm

Operating and environmental conditions

Piston diameter	2.5 mm		4 mm				6 mm				
Operating pressure	3.5 ... 7 bar						3 ... 7 bar				
Operating medium	Compressed air to ISO 8573-1:2010 [7:::]										
Ambient temperature	5 ... 60°C										
Corrosion resistance class CRC ¹⁾	1 - Low corrosion stress										

1) More information www.festo.com/x/topic/crc

Forces – EG-2.5 ... 4

Piston diameter	2.5 mm		4 mm					
Stroke	5 mm	10 mm	5 mm	10 mm	15 mm	20 mm		
Theoretical force at 0.6 MPa (6 bar, 87 psi), advance stroke	1.9 N		5 N		4.9 N			
Theoretical min. spring return force	0.5 N		1.3 N		1.5 N		1.8 N	1.5 N
Theoretical max. spring return force	1 N		2.5 N		2.6 N			

Dimensions – EG-6

Piston diameter	6 mm							
Stroke	5 mm	10 mm	15 mm	20 mm	25 mm			
Theoretical force at 0.6 MPa (6 bar, 87 psi), advance stroke	11.8 N							
Theoretical min. spring return force	4.1 N		3.1 N		2 N		3.1 N	2.5 N
Theoretical max. spring return force	5.2 N							

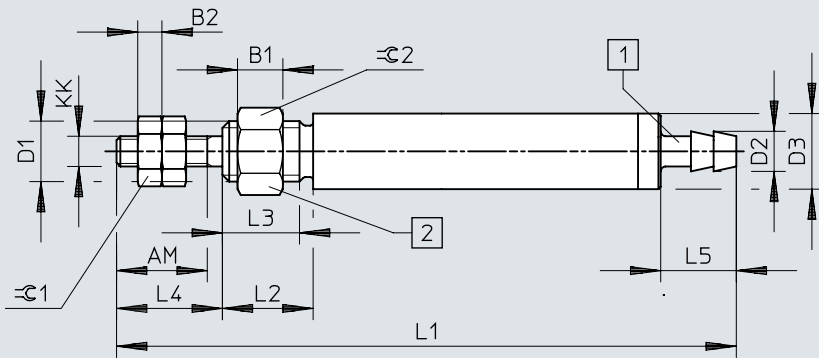
Materials

Piston diameter	2.5 mm		4 mm				6 mm				
Material cover	High-alloy steel										
Material piston rod	High-alloy stainless steel					High-alloy steel			High-alloy stainless steel		
Material cylinder barrel	Nickel-plated brass						High-alloy stainless steel				
Material seals	NBR				TPE-U(PU)			NBR			
Note on materials	RoHS-compliant										
LABS (PWS) conformity	VDMA24364-B2-L										

Dimensions

Dimensions – EG-2.5 ... 4

Download CAD data www.festo.com



[1] Barbed connector for internally tolerated plastic tubing NW

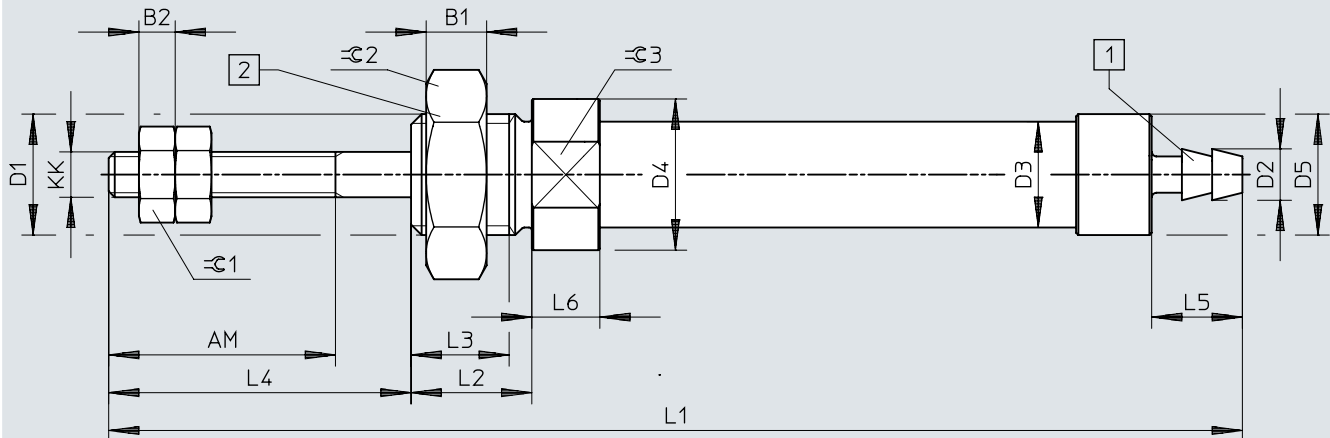
[2] Tightening torque EG-2,5: 0.25 Nm / EG-4: 0.85 Nm

	AM	B1	B2	D1	D2 ∅	D3 ∅	KK	L1	L2	L3	L4	L5	∅1	∅2
EG-2,5-5-PK-2	-	1,6	-	M2,5	2,65	3,5	∅1	29	3,5	3	1,5	5	-	4
EG-2,5-10-PK-2								38						
EG-4-5-PK-2	6	3	1,6	M4	2,65	5	M2	41	6	5	7	5	4	5
EG-4-10-PK-2								50						
EG-4-15-PK-2								59						
EG-4-20-PK-2								64						

Dimensions

Dimensions – EG-6


Download CAD data www.festo.com




- [1] Barbed connector for I.D. plastic tubing NW 3
- [2] Tightening torque EG-6: 8.5 Nm

	AM	B1	B2	D1	D2 ∅	D3 ∅	D4 ∅	D5 ∅	KK	L1	L2	L3	L4	L5	L6	$\varnothing 1$	$\varnothing 2$	$\varnothing 3$
EG-6-5-PK-3	15	4	2,4	M8x1	3,4	7	10	8	M3	75	8	6,5	20	6	4,5	5,5	12	9
EG-6-10-PK-3										80								
EG-6-15-PK-3										85								
EG-6-20-PK-3										102								
EG-6-25-PK-3										107								

Ordering data

Ordering data						
	Piston diameter	Stroke	Pneumatic connection	Part no.	Type	
	2.5 mm	5 mm	PK-2	15883	EG-2,5-5-PK-2	
		10 mm		15884	EG-2,5-10-PK-2	
	4 mm	5 mm		15885	EG-4-5-PK-2	
		10 mm		15886	EG-4-10-PK-2	
		15 mm		15887	EG-4-15-PK-2	
		20 mm		15888	EG-4-20-PK-2	
	6 mm	5 mm		PK-3	15891	EG-6-5-PK-3
		10 mm			15892	EG-6-10-PK-3
		15 mm	15893		EG-6-15-PK-3	
		20 mm	15894		EG-6-20-PK-3	
		25 mm	15895		EG-6-25-PK-3	

Accessories

Plastic tubing PUN						
	Description	Material tubing	Colour	Supplied length [m]	Part no.	Type
	For EG-2,5 and EG-4	TPE-U(PU)	Blue	50 m	159660	PUN-3X0,5-BL
				500 m	525745	PUN-3X0,5-BL-500
			Yellow	50 m	178416	PUN-3X0,5-GE
					178423	PUN-3X0,5-GN
					178409	PUN-3X0,5-RT
					159661	PUN-3X0,5-SW
					553936	PUN-3X0,5-SW-500
			Silver	50 m	152583	PUN-3X0,5-SI
				500 m	525738	PUN-3X0,5-SI-500
			For EG-6	TPE-U(PU)	Blue	50 m
	500 m	525746				PUN-4X0,75-BL-500
	Yellow	50 m			178417	PUN-4X0,75-GE
					178424	PUN-4X0,75-GN
					178410	PUN-4X0,75-RT
					159663	PUN-4X0,75-SW
					553937	PUN-4X0,75-SW-500
	Silver	50 m			152584	PUN-4X0,75-SI
		500 m			525739	PUN-4X0,75-SI-500