

Atlas Copco Stationary Air Compressors

GA 315, GA 355, GA 400, GA 450, GA 500
GA 315 W, GA 355 W, GA 400 W, GA 450 W,
GA 500 W

Parts list

From following serial No. onwards:

APF 178 175

- Copyright 2013, Atlas Copco Airpower n.v., Antwerp, Belgium.
Any unauthorized use or copying of the contents or any part thereof is prohibited.
This applies in particular to trademarks, model denominations, part numbers and drawings.
- **Use only authorized parts.** Any damage or malfunction caused by the use of unauthorized parts is not covered by Warranty or Product Liability.

No. 2930 1370 03

Registration code : APC GA \geq 90 / 39

Replaces No. 2930 1370 02

2013-01

www.atlascopco.com

Atlas Copco

Contents
Inhoud
Innehåll
Inhaltsverzeichnis
Table des matières
Indice

Indice
Innholdsfortegnelse
Indice
Indholdsfortegnelse
Sisällysluettelo

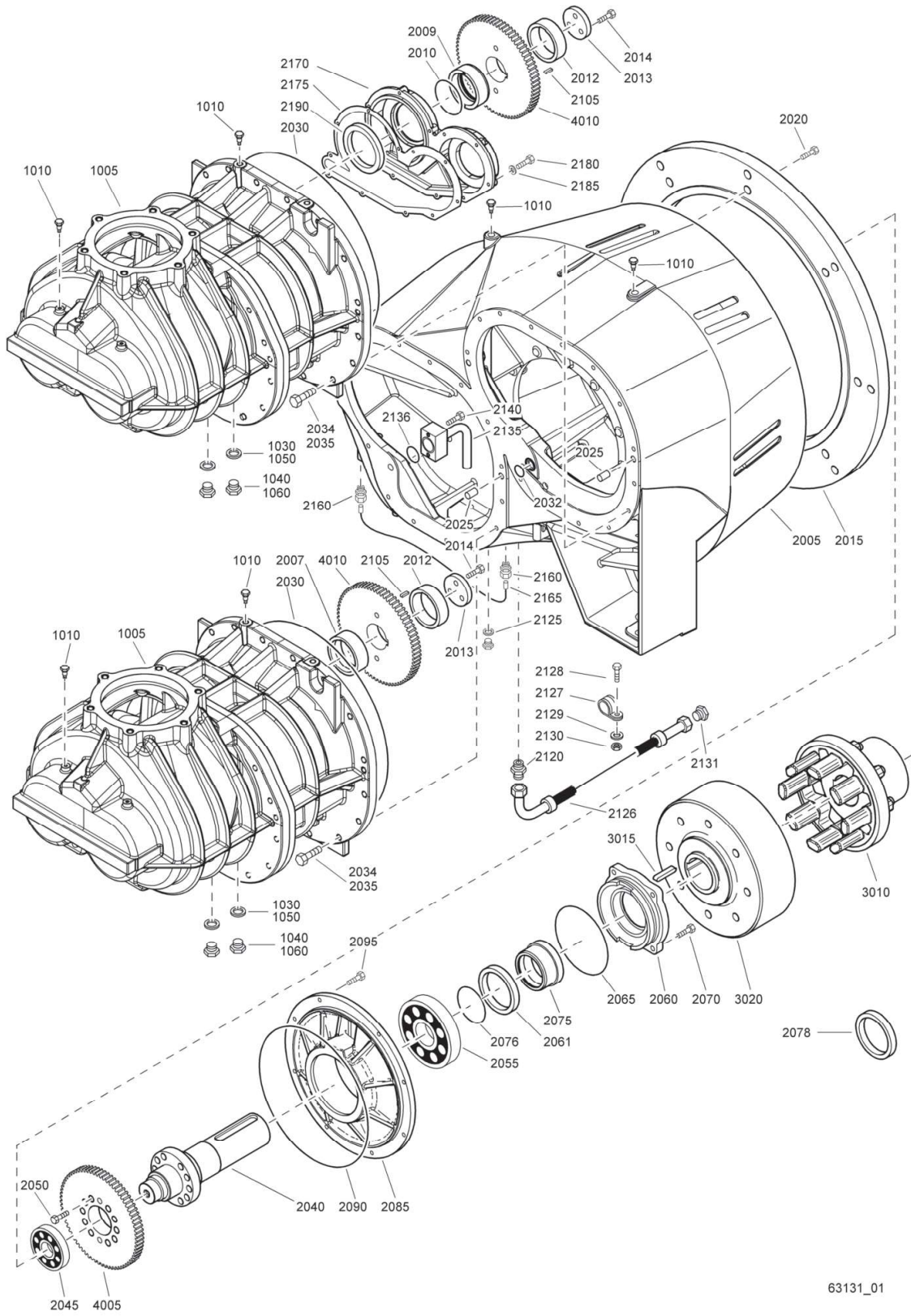
Drive arrangement	Luftstrøm	
Aandrijfuitvoering	Ilman virtaus	
Drivarrangemang	- GA (A)	6
Antriebsanordnung	- GA (W)	7
Dispositif d'entraînement	Air outlet	
Disposición de accionamiento	Luchtuitlaat	
Disposizione di azionamento	Luftutlopp	
Arrangement	Luftauslaß	
Disposição de accionamento	Sortie d'air	
Drivarrangement	Salida de aire	
Rakene	Mandata dell'aria	
Unloading valve	Luftafgang	
Ontlastventiel	Saida de ar	
Avlastningsventil	Luftutløp	
Entlastungsventil	Paineilmaputki	8
Soupape de décharge	- GA (A)	8
Válvula de descarga	- GA (W)	9
Valvola di messa a vuoto	Oil system	
Aflastningsventil	Oliesysteem	
Válvula de descarga	Oljesystem	
Avlastningsventil	Ölsystem	
Kevennysventtiili	Système d'huile	
Air inlet	Sistema de aceite	
Luchtinlaat	Sistema dell'olio	
Luftintag	Oljesystem	
Lufteinlaß	Sistema de óleo	
Admission d'air	Oljesystem	
Entrada de aire	Voitelujärjestelmä	10
Presă d'aria	Cooler(s)	
Luftindsug	Koeler(s)	
Admissão de ar	Kylare	
Luftinnløp	Kühler	
Tuloilma	Refrroidisseur(s)	
- Basic	Refrigerador(es)	
	Refrigeratore(i)	
	Kølere	
	Refrigerador(es)	
	Kjøler(e)	
	Jäähdyttimet	
	- GA (A)	11
	- GA (A) - Fan and cooling duct plates	12
	- GA (W) - Plate coolers	13
	- GA (W) - Tube coolers	14
	Water system	
	Watersysteem	
	Vattensystem	
	Wassersystem	
	Système d'eau	
	Sistema de agua	
	Sistema dell'acqua	

Contents
 Inhoud
 Innehåll
 Inhaltsverzeichnis
 Table des matières
 Indice

Indice
 Innholdsfortegnelse
 Indice
 Indholdsfortegnelse
 Sisällysluettelo

Vandsystem		Sistema di regolazione	
Sistema de água		Reguleringssystem	
Vannsystem		Sistema de regulação	
Vesijärjestelmä		Reguleringssystem	
- Plate coolers	15	Säätöjärjestelmä	
- Tube coolers	16	- GA (A)	28
Energy recovery system		- GA (W)	29
Energierecuperatiesysteem		Drain system	
Energiåtervinningsystem		Aftapsysteem	
Energierückgewinnungssystem		Avtappingssystem	
Système de récupération d'énergie		Ablafssystem	
Sistema de recuperación de energía		Système de vidange	
Sistema di recupero energia		Sistema de drenaje	
Energigenvinding		Sistema di scarico	
Sistema de recuperação de energia		Drænsystem	
Energigjenvinningsystem		Sistema de drenagem de condensados	
Energian talteenottojärjestelmä		Avtappingssystem	
- GA (W)	17	Lauhteenpoistojärjestelmä	
Frame and motor		- Basic drain	30
Frame en motor		- Electronic Drain system	31
Ram och Motor		- Oil Separator Condensate drain	32
Rahmen und		Bodywork	
Châssis et motor		Carrosserie	
Bastidor y motor		Karosseri	
Telaio e motore elettrico		Karosserie	
Ramme og motor		Capotage	
Base e motor		Carroceria	
Ramme og Motor		Cappottatura	
Runko ja Moottori		Karosseri	
- (A) GA 315	18	Carroceria	
- (A) GA 355	19	Kabinett	
- (A) GA 400	20	Kotelo	
- (A) GA 450	21	- GA (A)	33
- (A) GA 500	22	- GA (W)	34
- (W) 315	23	- Motor extension IP55 medium voltage	35
- (W) GA 355	24	- Motor baffles	36
- (W) GA 400	25	- Cubicle box	37
- (W) 450	26	Cubicle(s)	
- (W) GA 500	27	Kast(en)	
Regulating system		Skåp	
Regelsysteem		Schaltschrank(en)	
Reglersystem		Armoire(s)	
Regelsystem		Armario	
Système de régulation		Armadio elettrico	
Sistema de regulación		Elskab	
		Quadro	
		Skap	
		Kotelo	38

1



63131_01

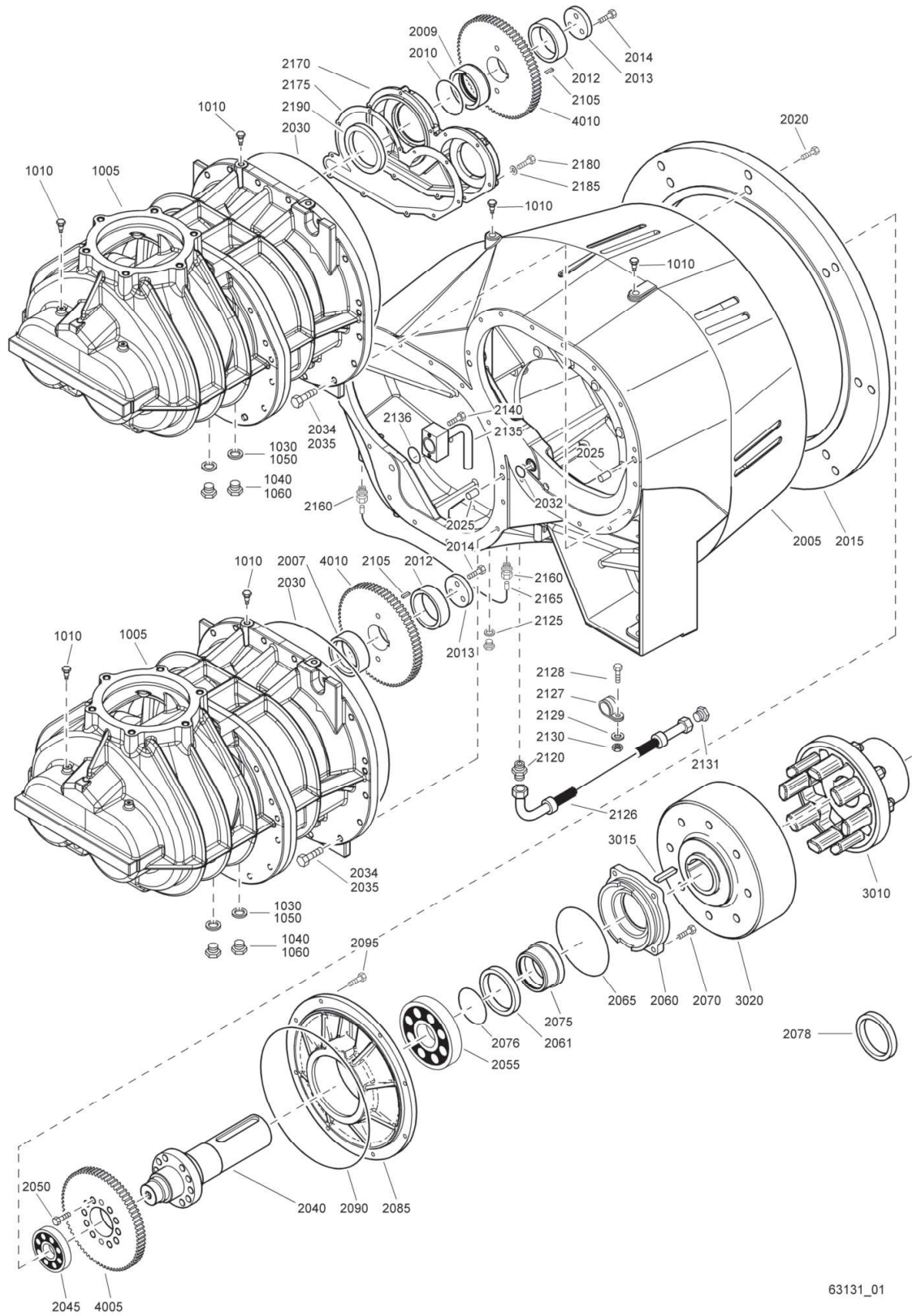
63131_01

Drive Arrangement

1

Ref.	Part number	Qty	Name	Remarks	Ref.	Part number	Qty	Name	Remarks
			Compr element		2025	0101 1626 00	4	Pin	
			GA 315		2030	0663 2111 65	2	O-ring	
			GA 355		2032	0663 2106 10	3	O-ring	
			GA 400		2034	0147 1964 28	2	Hex.bolt	
			GA 450		2035	0147 1963 88	28	Bolt	
			GA 500		2040	1621 2122 00	1	Drive shaft	
			Without SPM		2045	0506 0100 15	1	Bearing	
1005	1616 7540 80	1	Stage		2050	0211 1480 00	10	Cap screw	
1010	1619 6032 00	5	Nipple		2055	0506 0100 16	1	Bearing	
1030	0661 1000 30	1	Seal washer		2060	1621 1303 00	1	Cover	
1040	0686 3716 07	1	Plug		2061	1621 4835 00	1	Seal	
1050	0661 1000 29	1	Seal washer		2065	0663 2107 24	1	O-ring	
1060	0686 3716 35	1	Plug		2070	0147 1364 03	4	Bolt	
			Without SPM		2075	1621 7416 00	1	Bushing	
1005	1616 7540 80	1	Stage		2076	0663 2106 16	1	O-ring	
1010	1619 6032 00	4	Nipple		2078	1621 9915 00	1	Ring	
1030	0661 1000 30	1	Seal washer		2085	1621 1302 00	1	Bearing housing	
1040	0686 3716 07	1	Plug		2090	0663 2109 74	1	O-ring	
1050	0661 1000 29	1	Seal washer		2095	0147 1364 03	8	Bolt	
1060	0686 3716 35	1	Plug		2105	0337 0009 46	2	Parallel key	
			With SPM monitoring equipment		2120	1079 5840 15	1	Nipple	
1005	1616 7540 80	1	Stage		2125	0661 1000 27	1	Seal washer	
1030	0661 1000 30	1	Seal washer		2126	0574 8235 32	1	Hose assembly	
1040	0686 3716 07	1	Plug		2127	0346 1002 10	1	Pipe clamp	
1050	0661 1000 29	1	Seal washer		2128	0147 1325 03	1	Bolt	
1060	0686 3716 35	1	Plug		2129	0266 2110 00	1	Hexagon nut m8	
			Gear casing		2130	0301 2335 00	1	Plain washer	
			GA 315		2131	1614 9252 00	1	Plug	
			Siemens motor		2135	1621 2620 00	1	Pipe	
			Without main motor IEC FF		2136	0663 2107 82	1	O-ring	
			840-flange		2140	0147 1332 03	2	Bolt	
			GA 355		2160	0580 0014 66	2	Pipe coupling	
			60 Hz Siemens motor IP 55		2165	1621 2127 00	1	Pipe	
			MV		2170	1623 2877 00	1	Cover	
			Weg motor		2175	1623 3154 00	1	Gasket	
			ABB_M3BP		2180	0211 1328 00	11	Cap screw	
			Weg motor IP 23		2185	0301 2335 00	11	Plain washer	
			ABB_M3BP IP 23		2190	1621 4845 00	1	Seal	
			Siemens motor IP 23					GA 315	
			Without main motor IEC FF					Without main motor IEC FF	
			840-flange					940-flange	
			GA 355					GA 355	
			GA 400					50 Hz Siemens motor IP 55	
			Weg motor					MV	
			ABB_M3BP motor					Without main motor IEC FF	
			Weg motor IP 23					940-flange	
			ABB_M3BP IP 23					GA 400	
			Siemens motor IP 23					Siemens motor IP 55 MV	
			Without main motor IEC FF					Without main motor IEC FF	
			840-flange					940-flange	
			GA 500					GA 450	
			Weg motor IP 23					Siemens motor IP 55 MV	
			ABB_M3BP IP 23					Without main motor IEC FF	
			Siemens motor IP 23					940-flange	
			Siemens motor IP 55					GA 500	
			Without main motor IEC FF					Siemens motor IP 55 MV	
			840-flange					Without main motor IEC FF	
			940-flange					940-flange	
2005	1621 2118 00	1	Gearbox		2005	1621 2118 01	1	Gearbox	
2007	1621 2202 00	1	Bushing		2015	1621 2119 00	1	Adapter	
2009	1621 2207 00	1	Bushing		2020	0147 1557 03	8	Bolt	
2010	0663 2106 16	1	O-ring		2007	1621 2202 00	1	Bushing	
2012	1621 2121 00	2	Spacer		2009	1621 2207 00	1	Bushing	
2013	1614 9100 00	2	Washer		2010	0663 2106 16	1	O-ring	
2014	0211 1409 00	6	Cap screw						

1



63131_01

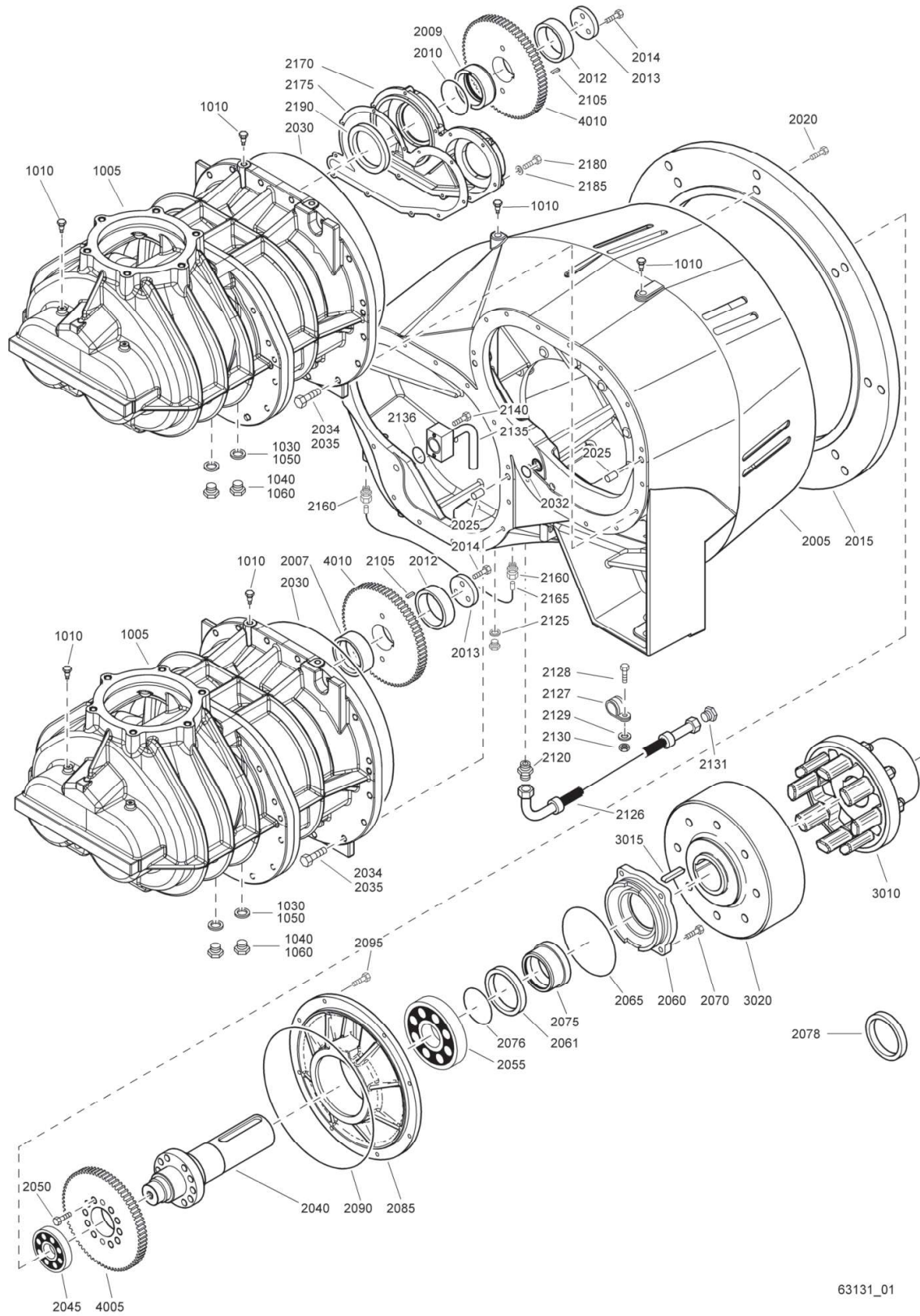
63131_01

Drive Arrangement

1

Ref.	Part number	Qty	Name	Remarks	Ref.	Part number	Qty	Name	Remarks
2012	1621 2121 00	2	Spacer		3015	0337 0009 54	1	Parallel key	
2013	1614 9100 00	2	Washer		3020	1621 1443 00	1	Coupling	
2014	0211 1409 00	6	Cap screw					GA 500	
2025	0101 1626 00	4	Pin					Siemens motor IP 55 MV	
2030	0663 2111 65	2	O-ring		3010	1621 2204 00	1	Coupling	
2032	0663 2106 10	3	O-ring		3015	0337 0009 54	1	Parallel key	
2034	0147 1964 28	2	Hex.bolt		3020	1621 2203 00	1	Coupling	
2035	0147 1963 88	28	Bolt					Without main motor	
2040	1621 2122 00	1	Drive shaft		3010	1621 2205 00	1	Coupling	
2045	0506 0100 15	1	Bearing		3015	0337 0009 54	1	Parallel key	
2050	0211 1480 00	10	Cap screw		3020	1621 2203 00	1	Coupling	
2055	0506 0100 16	1	Bearing					Siemens motor IP 23	
2060	1621 1303 00	1	Cover		3010	1621 2247 00	1	Coupling	
2061	1621 4835 00	1	Seal		3015	0337 0009 54	1	Parallel key	
2065	0663 2107 24	1	O-ring		3020	1621 2203 00	1	Coupling	
2070	0147 1364 03	4	Bolt					Gears	
2075	1621 7416 00	1	Bushing					GA 315	
2076	0663 2106 16	1	O-ring					7.5 bar	
2078	1621 9915 00	1	Ring		4005	1621 2417 00	1	Gear wheel	
2085	1621 1302 00	1	Bearing housing		4010	1621 2418 00	2	Gear wheel	
2090	0663 2109 74	1	O-ring					8.5 bar	
2095	0147 1364 03	8	Bolt		4005	1621 2413 00	1	Gear wheel	
2105	0337 0009 46	2	Parallel key		4010	1621 2414 00	2	Gear wheel	
2120	1079 5840 15	1	Nipple					10 bar	
2125	0301 2335 00	1	Plain washer		4005	1621 2409 00	1	Gear wheel	
2126	1614 9252 00	1	Plug		4010	1621 2410 00	2	Gear wheel	
2127	0661 1000 27	1	Seal washer					13 bar	
2128	0574 8235 32	1	Hose assembly		4005	1621 2398 00	1	Gear wheel	
2129	0346 1002 10	1	Pipe clamp		4010	1621 2399 00	2	Gear wheel	
2130	0147 1325 03	1	Bolt					GA 355	
2131	0266 2110 00	1	Hexagon nut					6.9 bar	
2135	1621 2620 00	1	Pipe		4005	1621 2411 00	1	Gear wheel	
2136	0663 2107 82	1	O-ring		4010	1621 2412 00	2	Gear wheel	
2140	0147 1332 03	2	Bolt					7.5 bar	
2160	0580 0014 66	2	Pipe coupling		4005	1621 2425 00	1	Gear wheel	
2165	1621 2127 00	1	Pipe		4010	1621 2426 00	2	Gear wheel	
2170	1623 2877 00	1	Cover					8.5 bar	
2175	1623 3154 00	1	Gasket		4005	1621 2421 00	1	Gear wheel	
2180	0211 1328 00	11	Cap screw		4010	1621 2422 00	2	Gear wheel	
2185	0301 2335 00	11	Plain washer					8.6 bar	
2190	1621 4845 00	1	Seal		4005	1621 2407 00	1	Gear wheel	
			Coupling		4010	1621 2408 00	2	Gear wheel	
			GA 315					10 bar	
			GA 355		4005	1621 2415 00	1	Gear wheel	
			GA 400		4010	1621 2416 00	2	Gear wheel	
			GA 450					10.4 bar	
			GA 500		4005	1621 2403 00	1	Gear wheel	
			ABB M3BP		4010	1621 2404 00	2	Gear wheel	
3010	1621 1442 00	1	Coupling					13 bar	
3015	0337 0009 54	1	Parallel key		4005	1621 2405 00	1	Gear wheel	
3020	1621 1443 00	1	Coupling		4010	1621 2406 00	2	Gear wheel	
			Weg motor					13.8 bar	
3010	1621 1444 00	1	Coupling		4005	1621 2396 00	1	Gear wheel	
3015	0337 0009 54	1	Parallel key		4010	1621 2397 00	2	Gear wheel	
3020	1621 1443 00	1	Coupling					GA 400	
			Without main motor					6.9 bar	
3010	1621 1445 00	1	Coupling		4005	1621 2419 00	1	Gear wheel	
3015	0337 0009 54	1	Parallel key		4010	1621 2420 00	2	Gear wheel	
3020	1621 1443 00	1	Coupling					7.5 bar	
			50 Hz Siemens motor IP 55		4005	1621 2435 00	1	Gear wheel	
			MV		4010	1621 2434 00	2	Gear wheel	
			Siemens motor IP 23					8.5 bar	
3010	1621 1446 00	1	Coupling		4005	1621 2429 00	1	Gear wheel	

1



63131_01

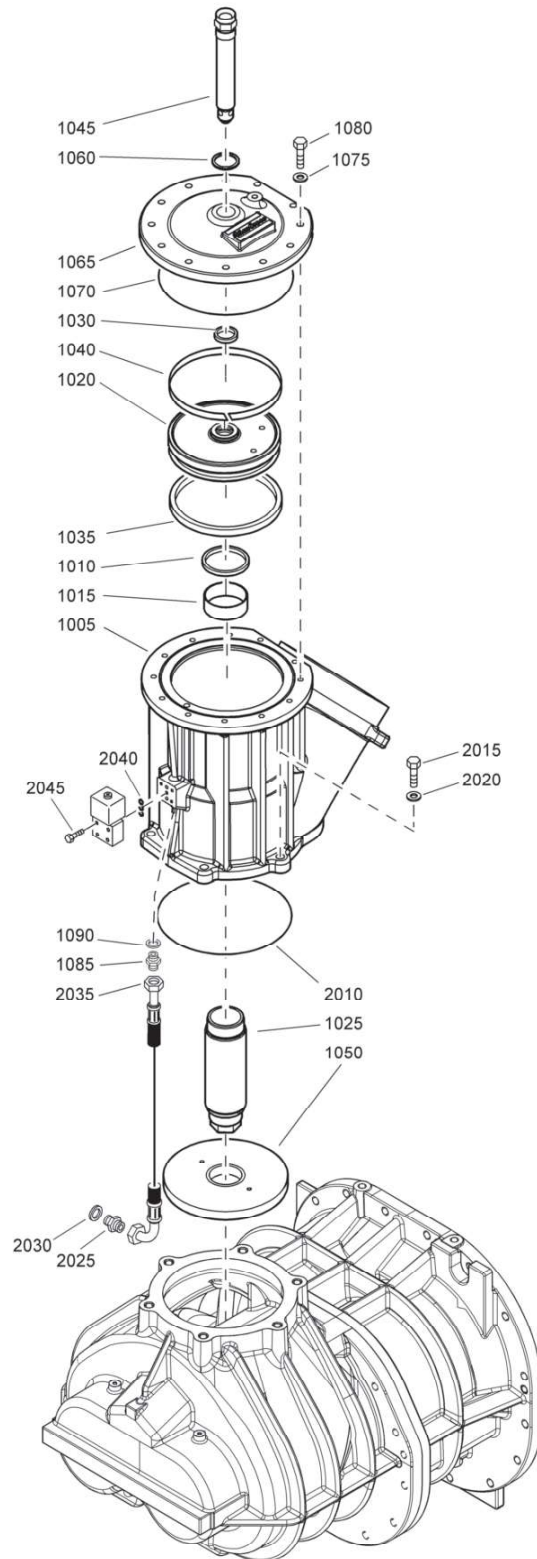
63131_01

Drive Arrangement

1

Ref.	Partnumber	Qty	Name	Remarks	Ref.	Partnumber	Qty	Name	Remarks
4010	1621 2430 00	2	Gear wheel 8.6 bar		4010	1621 2433 00	2	Gear wheel 10.4 bar	
4005	1621 2413 00	1	Gear wheel		4005	1621 2419 00	1	Gear wheel	
4010	1621 2414 00	2	Gear wheel 10 bar		4010	1621 2420 00	2	Gear wheel 13 bar	
4005	1621 2423 00	1	Gear wheel		4005	1621 2421 00	1	Gear wheel	
4010	1621 2424 00	2	Gear wheel 10.4 bar		4010	1621 2422 00	2	Gear wheel 13.8 bar	
4005	1621 2407 00	1	Gear wheel		4005	1621 2409 00	1	Gear wheel	
4010	1621 2408 00	2	Gear wheel 13 bar		4010	1621 2410 00	2	Gear wheel GA 500	
4005	1621 2411 00	1	Gear wheel		4005	1621 2444 00	1	Gear wheel	
4010	1621 2412 00	2	Gear wheel 13.8 bar		4010	1621 2445 00	2	Gear wheel 8.5 bar	
4005	1621 2400 00	1	Gear wheel		4005	1621 2442 00	1	Gear wheel	
4010	1621 2401 00	2	Gear wheel GA 450		4010	1621 2443 00	2	Gear wheel 8.6 bar	
4005	1621 2429 00	1	Gear wheel		4005	1621 2435 00	1	Gear wheel	
4010	1621 2430 00	2	Gear wheel 7.5 bar		4010	1621 2434 00	2	Gear wheel 10 bar	
4005	1621 2440 00	1	Gear wheel		4005	1621 2438 00	1	Gear wheel	
4010	1621 2441 00	2	Gear wheel 8.5 bar		4010	1621 2439 00	2	Gear wheel 13 bar	
4005	1621 2436 00	1	Gear wheel		4005	1621 2428 00	1	Gear wheel	
4010	1621 2437 00	2	Gear wheel 8.6 bar		4010	1621 2427 00	2	Gear wheel 13.8 bar	
4005	1621 2423 00	1	Gear wheel		4005	1621 2419 00	1	Gear wheel	
4010	1621 2424 00	2	Gear wheel 10 bar		4010	1621 2420 00	2	Gear wheel	
4005	1621 2432 00	1	Gear wheel						

2

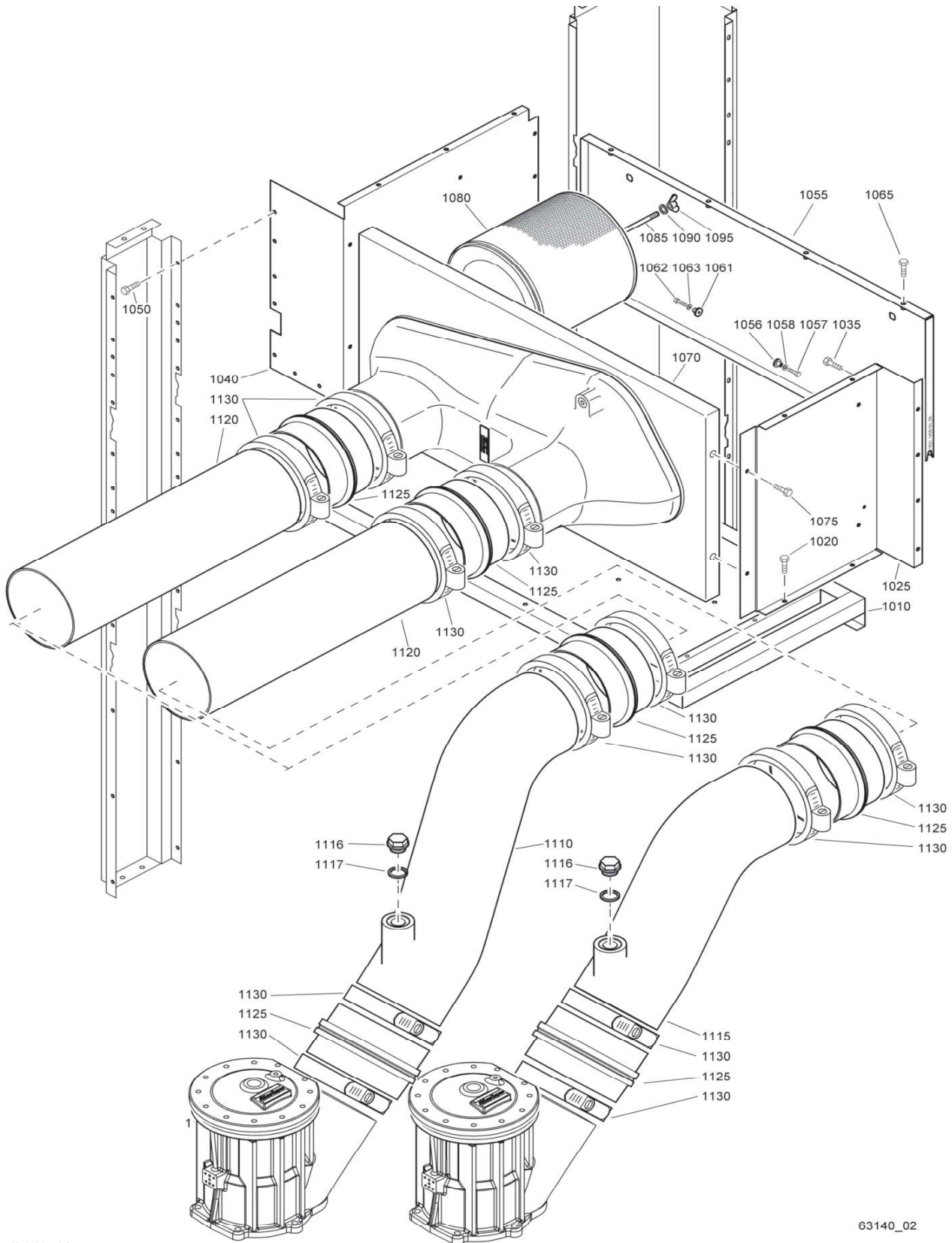


Unloader Valve

2

Ref.	Partnumber	Qty	Name	Remarks	Ref.	Partnumber	Qty	Name	Remarks
			GA 315		1060	0661 1000 31	• 1	Seal washer	
			GA 355		1065	1621 2631 00	• 1	Valve cover	
			GA 400		1070	0663 2103 22	• 1	O-ring	
			GA 450		1075	0301 2358 00	• 12	Washer	
			GA 500		1080	0147 1403 03	• 12	Bolt	
	1621 1299 81	1	Unloader ass'y		1085	1079 5840 03	• 1	Nipple	
1005	1621 1299 00	• 1	Valve housing		1090	0661 1000 26	• 1	Seal washer	
1010	1621 2221 00	• 1	Seal		2010	0663 2103 22	1	O-ring	
1015	1621 2222 00	• 1	Bearing		2015	0147 1480 03	6	Hex. head screw	
1020	1621 4208 00	• 1	Piston		2020	0301 2378 00	6	Washer	
1025	1621 4209 00	• 1	Piston rod		2025	1079 5840 03	1	Nipple	
1030	1621 2225 00	• 1	Seal		2030	0661 1000 26	1	Seal washer	
1035	1621 2226 00	• 1	Seal		2035	0574 8234 31	1	Hose assembly	
1040	1621 2227 00	• 1	Bearing		2040	0663 2111 54	3	O-ring	
1045	1621 2635 00	• 1	Nozzle		2045	0211 1251 03	4	Bolt	
1050	1621 5973 00	• 1	Valve						

3



63140_02

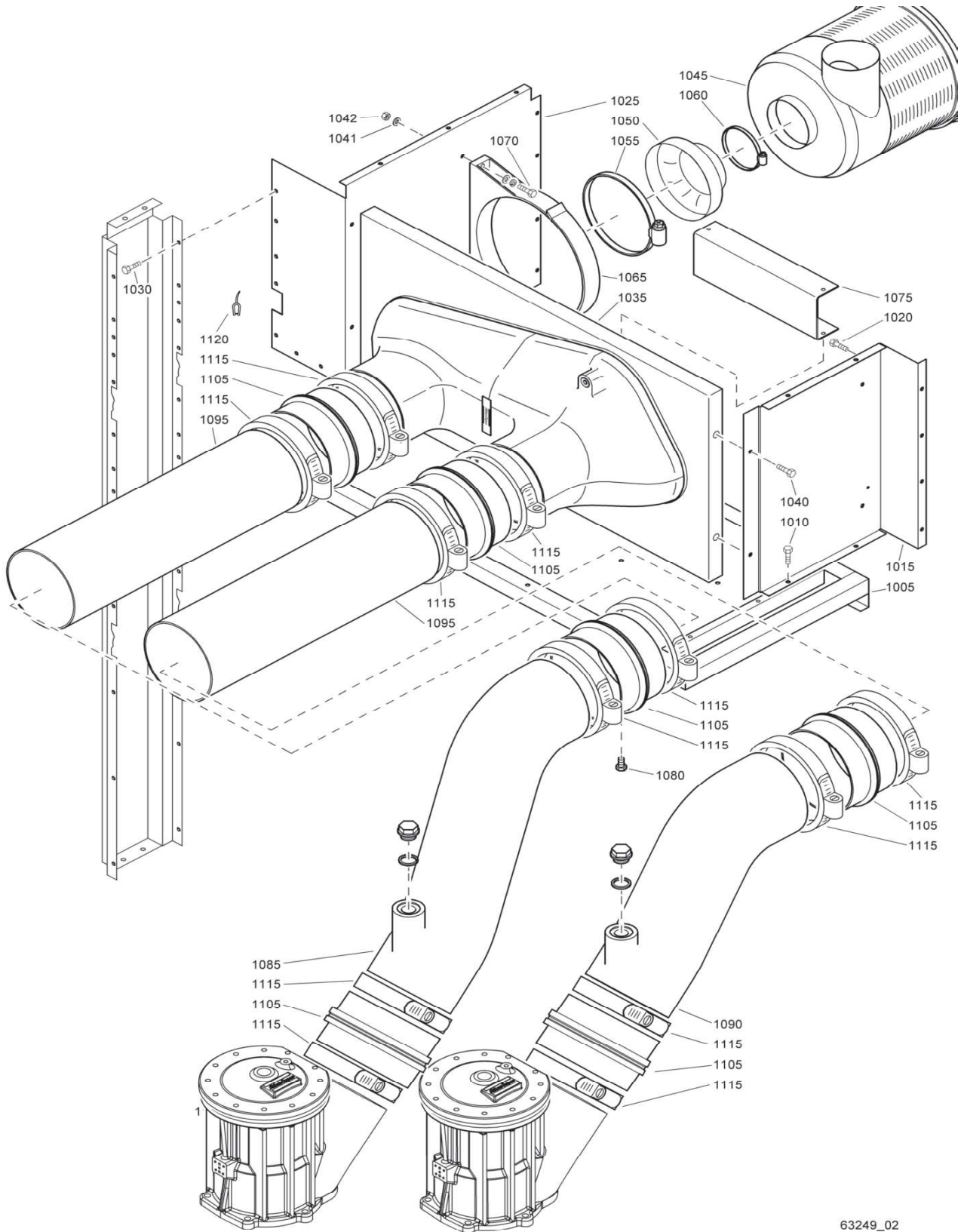
63140_02

Air inlet - Basic

3

Ref.	Part number	Qty	Name	Remarks	Ref.	Part number	Qty	Name	Remarks
			GA 315		1058	0301 2321 00	2	Washer	
			GA 355		1061	2255 2148 00	2	Stud	
			GA 400		1062	0147 1244 03	2	Bolt	
			GA 450		1063	0301 2321 00	2	Washer	
			GA 500		1065	1079 1472 06	4	Bolt	
			Without Heavy Duty Filter		1070	1621 1461 00	1	Collector	
1010	1621 1455 80	1	Baffle Assy'		1075	1079 1472 06	12	Bolt	
		• 1	Baffle		1076	0301 2335 00	4	Plain washer	
1020	1079 1472 06	5	Bolt		1077	0266 2110 00	4	Hexagon nut	
1025	1621 1457 80	1	Baffle Assy'		1080	1621 5742 00	3	Filter element	
		• 1	Baffle		1085	0248 9979 08	3	Threaded rod	
1035	1079 1472 06	6	Bolt		1090	0301 2344 00	3	Washer	
1040	1621 1458 80	1	Baffle Assy'		1095	0296 1111 02	3	Wing nut	
	0298 1000 25	• 16	Blind rivet nut		1110	1621 1463 00	1	Pipe	
1050	1079 1472 06	16	Bolt		1115	1621 1464 00	1	Pipe	
1055	1621 1459 80	1	Baffle Assy'		1116	0686 4209 00	2	Plug	
		• 1	Baffle		1117	0661 1000 31	2	Seal washer	
	2252 7237 00	• 2	Doorlock		1120	1621 1465 00	2	Pipe	
1056	2255 2148 00	2	Stud		1125	1621 1466 00	6	Hump hose	
1057	0147 1244 03	2	Bolt		1130	0347 6100 50	12	Hose clamp	

4



63249_02

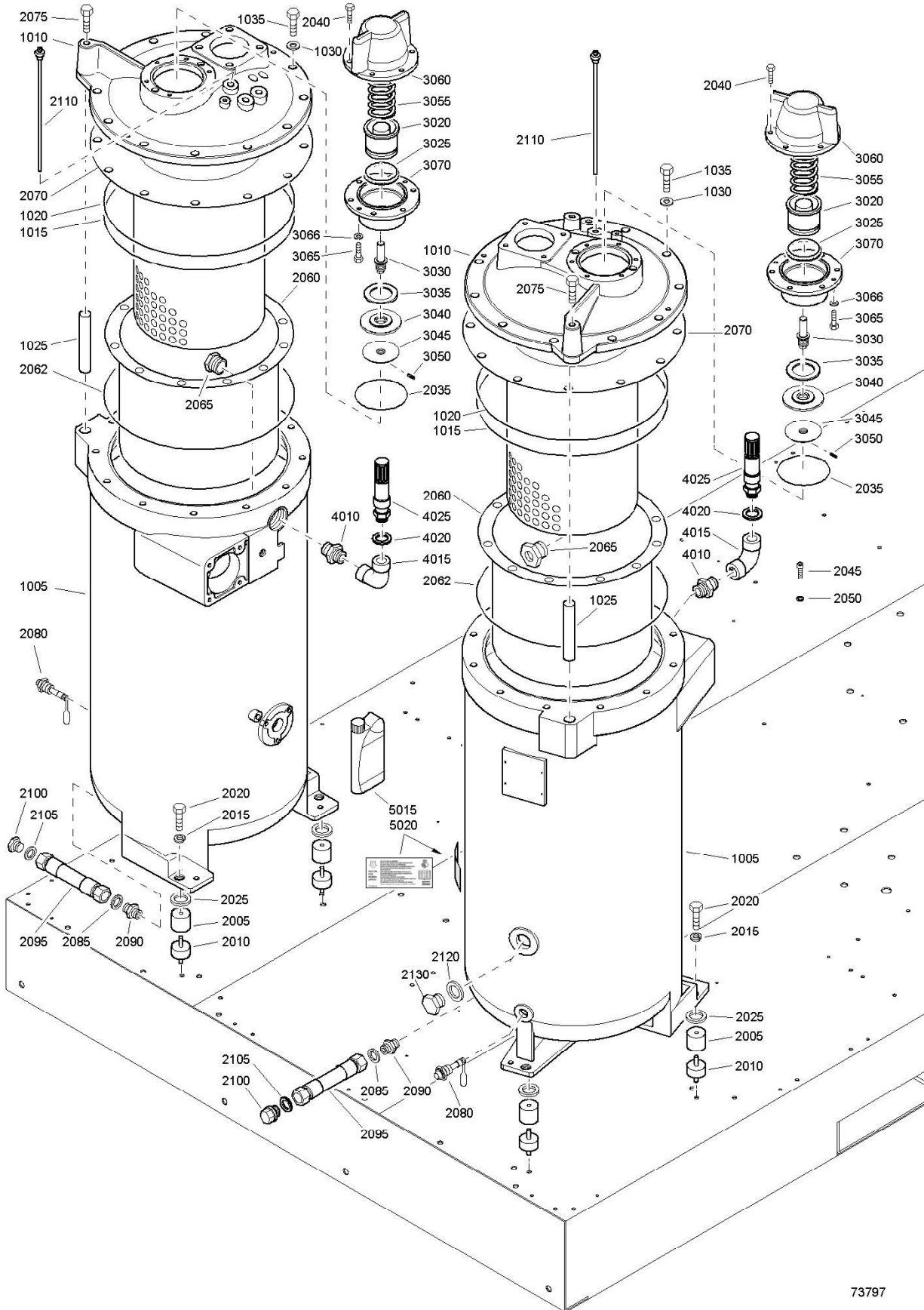
63249_02

Air inlet - HDF

4

Ref.	Part number	Qty	Name	Remarks	Ref.	Part number	Qty	Name	Remarks
			GA 315		1055	0347 6100 51	3	Hose clamp	
			GA 355		1060	0347 6100 47	3	Hose clamp	
			GA 400		1065	1614 9368 00	3	Clamp	
			GA 450		1070	0147 1328 03	6	Bolt	
			GA 500		1075	1621 2236 00	1	Support	
			With Heavy duty air inlet		1080	1079 1472 06	2	Bolt	
			filter		1085	1621 1463 00	1	Pipe	
1005	1621 1455 80	1	Baffle	1)	1090	1621 1464 00	1	Pipe	
		• 1	Baffle		1095	1621 1465 00	2	Pipe	
1010	1079 1472 06	5	Bolt		1105	1621 1466 00	6	Hump hose	
1015	1621 1457 80	1	Baffle	2)	1115	0347 6100 50	12	Hose clamp	
		• 1	Baffle		1120	1619 6449 00	AR	Seal	
1020	1079 1472 06	6	Bolt						
1025	1621 1458 80	1	Baffle	2)					
		• 1	Baffle		1-2)	Lined with / Bekleed met / Beklädd med /			
1030	1079 1472 06	16	Bolt			Ausgekleidet mit / Garnir de / Rivestido de /			
1035	1621 1461 00	1	Collector			Allineato			
1040	1079 1472 06	12	Bolt			con / Foret med / Revestido com / Kledd med /			
1041	0301 2335 00	4	Plain washer			Vuorattu :			
1042	0266 2110 00	4	Hexagon nut			1) Foam : 0395 6004 94 (AR) 720 X 110 X 50 TYPE 2			
1045	1614 9367 00	3	Air filter			2) Foam : 0395 6004 40 (AR) 600 X 335 X 25 - TYPE 2			
1050	1621 2235 00	3	Hump hose						

5

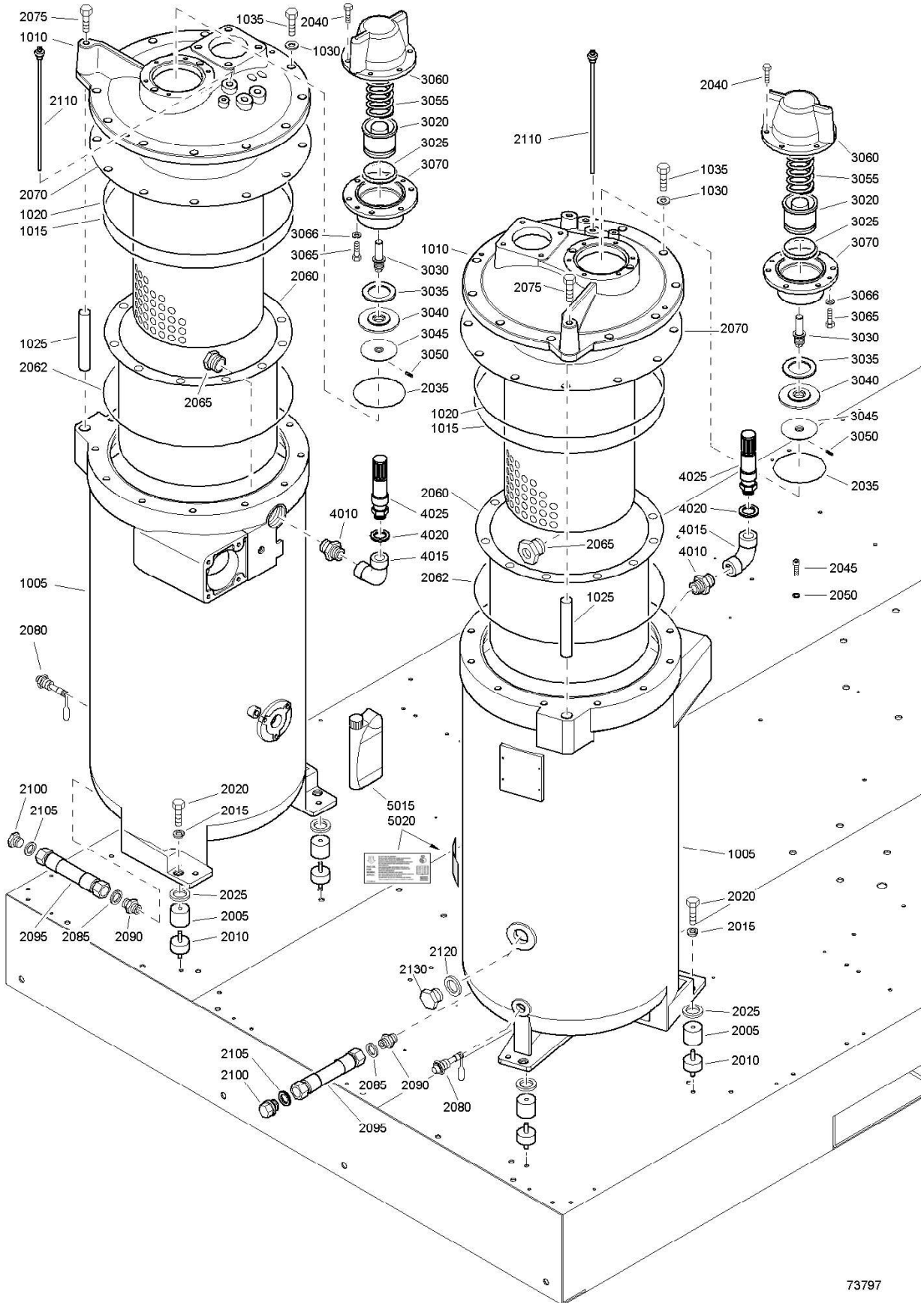


Air Receiver

5

Ref.	Part number	Qty	Name	Remarks	Ref.	Part number	Qty	Name	Remarks
			GA 315		1015	0663 2109 45	• 1	O-ring	
			GA 355		1020	0663 2109 45	• 1	O-ring	
			GA 400		1025	1614 9089 00	• 1	Pivot pin	
			GA 450		1030	0301 2394 00	• 12	Washer	
			GA 500		1035	0147 1106 15	• 12	Bolt	
			ASME (U Stamp)			1611 6413 60	2	Vessel ass'y	
			CHINA		2005	1614 9541 00	3	Spacer	
			DIR		2010	1623 5777 00	3	Buffer	
			Singapore		2015	0333 3232 00	3	Lock washer	
	1621 9361 85	2	Air receiver		2020	0211 1364 03	3	Cap screw	
1005	1621 9361 05	• 1	Vessel		2025	0661 1000 31	3	Seal washer	
1010	1621 9365 05	• 1	Valve housing		2035	0663 2106 58	1	O-ring	
1015	0663 2109 45	• 1	O-ring		2040	0147 1365 03	6	Bolt	
1020	0663 2109 45	• 1	O-ring		2045	0211 1418 00	3	Cap screw	
1025	1614 9089 00	• 1	Pivot pin		2050	0301 2358 00	3	Washer	
1030	0301 2394 00	• 12	Washer		2060	1621 9374 00	1	Shield	
1035	0147 1106 15	• 12	Bolt		2062	0663 2109 45	1	O-ring	
	1611 6413 60	2	Vessel ass'y		2065	1614 9520 00	1	Bushing	
2005	1614 9541 00	3	Spacer		2070	1621 9386 00	1	Oil sep.element	
2010	1623 5777 00	3	Buffer		2075	0147 1479 03	1	Bolt	
2015	0333 3232 00	3	Lock washer		2080	1614 9184 00	1	Level gauge	
2020	0211 1364 03	3	Cap screw		2085	0661 1038 00	1	Sealing washer	
2025	0661 1000 31	3	Seal washer		2090	1619 6249 00	1	Nipple	
2035	0663 2106 58	1	O-ring		2095	1621 9144 00	1	Hose assembly	
2040	0147 1365 03	6	Bolt		2100	1614 9146 00	1	Plug	
2045	0211 1418 00	3	Cap screw		2105	0661 1000 29	1	Seal washer	
2050	0301 2358 00	3	Washer		2110	1614 9525 00	1	Suction pipe	
2060	1621 9374 00	1	Shield			1614 9523 80	2	Min.press.valve	
2062	0663 2109 45	1	O-ring		3020	1621 4952 00	• 1	Piston	
2065	1614 9520 00	1	Bushing		3025	1619 6199 00	• 1	Sealring	
2070	1621 9386 00	1	Oil sep.element		3030	1623 2037 00	• 1	Shaft	
2075	0147 1479 03	1	Bolt		3035	1614 7279 00	• 1	Washer	
2080	1614 9184 00	1	Level gauge		3040	1621 4326 00	• 1	Ring	
2085	0661 1038 00	1	Sealing washer		3045	1621 4325 00	• 1	Nut	
2090	1619 6249 00	1	Nipple		3050	9125 7289 00	• 1	Set screw	
2095	1621 9144 00	1	Hose assembly		3055	1614 7280 00	• 1	Compr.spring	
2100	1614 9146 00	1	Plug		3060	1614 9523 00	• 1	Cover	
2105	0661 1000 29	1	Seal washer		3065	0147 1958 97	• 2	Bolt	
2110	1614 9525 00	1	Suction pipe		3066	0301 2335 00	• 2	Plain washer	
2120	0661 1000 27	1	Seal washer		3070	1614 9524 00	• 1	Sleeve	
2130	0686 3716 02	1	Plug					Safety valve	
	1614 9523 80	2	Min.press.valve					GA 315	
3020	1621 4952 00	• 1	Piston					7.5 bar	
3025	1619 6199 00	• 1	Sealring					GA 355	
3030	1623 2037 00	• 1	Shaft					GA 400	
3035	1614 7279 00	• 1	Washer					GA 450	
3040	1621 4326 00	• 1	Ring					GA 500	
3045	1621 4325 00	• 1	Nut					CE	
3050	9125 7289 00	• 1	Set screw					7.5 bar	
3055	1614 7280 00	• 1	Compr.spring					8.5 bar	
3060	1614 9523 00	• 1	Cover		4010	0603 4108 03	2	Hexagon nipple	
3065	0147 1958 97	• 2	Bolt		4015	0560 0200 56	2	Elbow	
3066	0301 2335 00	• 2	Plain washer		4020	0653 1254 00	2	Flat gasket	
3070	1614 9524 00	• 1	Sleeve		4025	0830 1008 14	2	Safety valve	
			GA 315					6.9 bar	
			GA 355					7.5 bar ASME (U Stamp)	
			GA 400					7.5 bar CHINA	
			GA 450					7.5 bar DIR	
			GA 500					7.5 bar Singapore	
			CE					8.5 bar ASME (U Stamp)	
	1621 9361 80	2	Air receiver					8.5 bar CHINA	
1005	1621 9361 08	• 1	Vessel					8.5 bar DIR	
1010	1621 9365 08	• 1	Valve housing					8.5 bar Singapore	

5

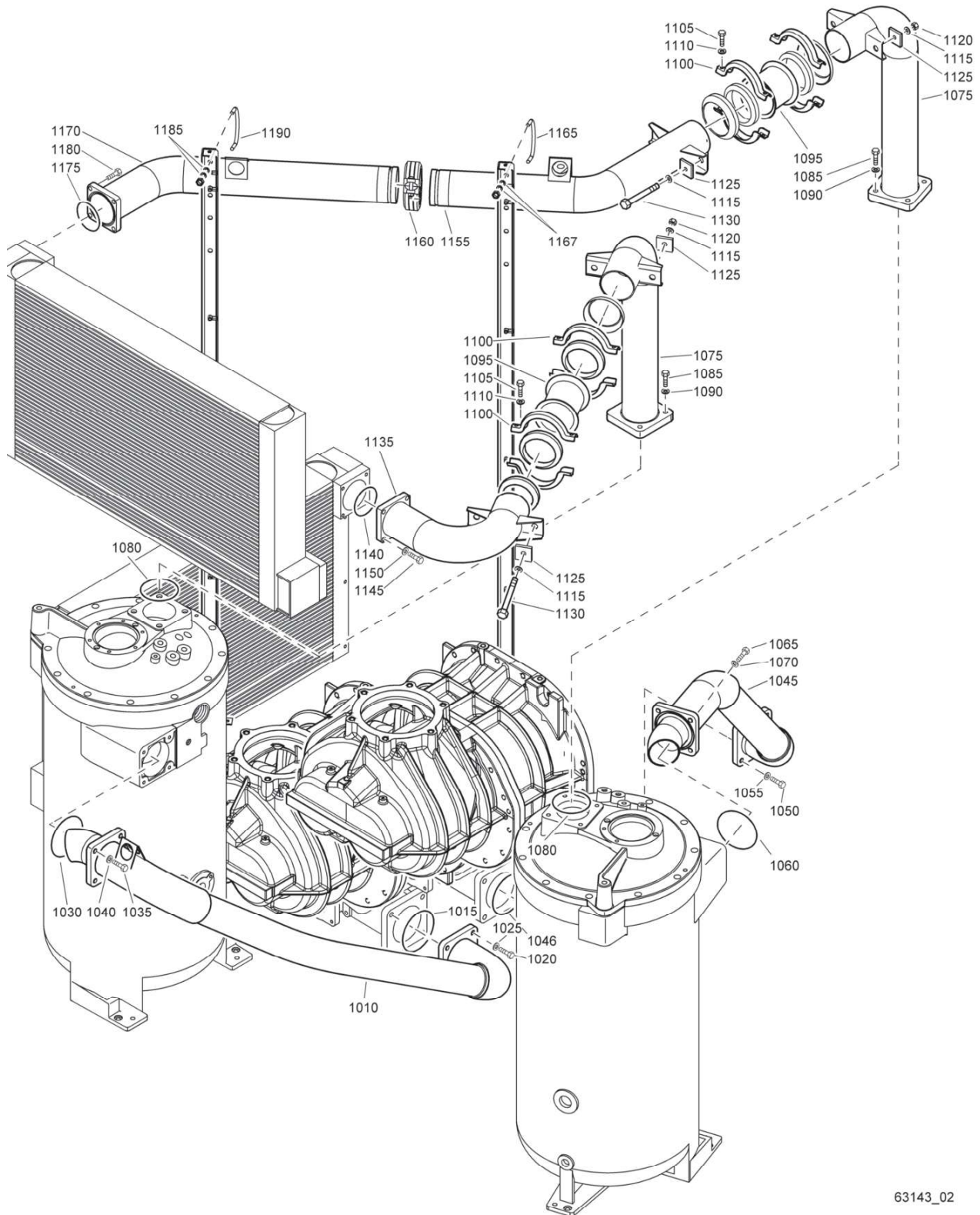


Air Receiver

5

Ref.	Partnumber	Qty	Name	Remarks	Ref.	Partnumber	Qty	Name	Remarks
			8.6 bar		4015	0560 0200 56	2	Elbow	
			10 bar		4020	0653 1254 00	2	Flat gasket	
			10.4 bar		4025	0830 1008 19	2	Safety valve	
			13.8 bar					Oil	
			13 bar					Water cooled	
4010	0603 5125 03	2	Hexagon nipple					Without Energy RECOVERY	
4015	0560 0200 24	2	Elbow					Roto inject fluid oil	
4020	0653 1189 00	2	Flat gasket		5015	2901 0245 01	2	Oil can 5l roto-injectfluid	
4025	0830 1008 18	2	Safety valve		5020	1079 9909 57	2	Label	
			GA 315					Roto-Xtend Duty Fluid	
			CE		5015	1623 0504 00	2	Can	
			8.5 bar		5020	1079 9925 87	2	Label	
4010	0603 5125 03	2	Hexagon nipple					With Energy RECOVERY	
4015	0560 0200 24	2	Elbow					Roto inject fluid oil	
4020	0653 1189 00	2	Flat gasket		5015	2901 0245 01	2	Oil can 5l roto-injectfluid	
4025	0830 1008 12	2	Safety valve		5020	1079 9909 57	2	Label	
			GA 450					Roto-Xtend Duty Fluid	
			GA 500		5015	1623 0504 00	2	Can	
			6.9 bar		5020	1079 9925 87	2	Label	
			7.5 bar ASME (U Stamp)					Air cooled	
			7.5 bar CHINA					Without Energy RECOVERY	
			7.5 bar DIR					Roto inject fluid oil	
			7.5 bar Singapore		5015	2901 0245 01	2	Oil can 5l roto-injectfluid	
			8.5 bar ASME (U Stamp)		5020	1079 9909 57	2	Label	
			8.5 bar CHINA					Roto-Xtend Duty Fluid	
			8.5 bar DIR		5015	1623 0504 00	2	Can	
			8.5 bar Singapore		5020	1079 9925 87	2	Label	
4010	0603 4108 03	2	Hexagon nipple						

6



63143_02

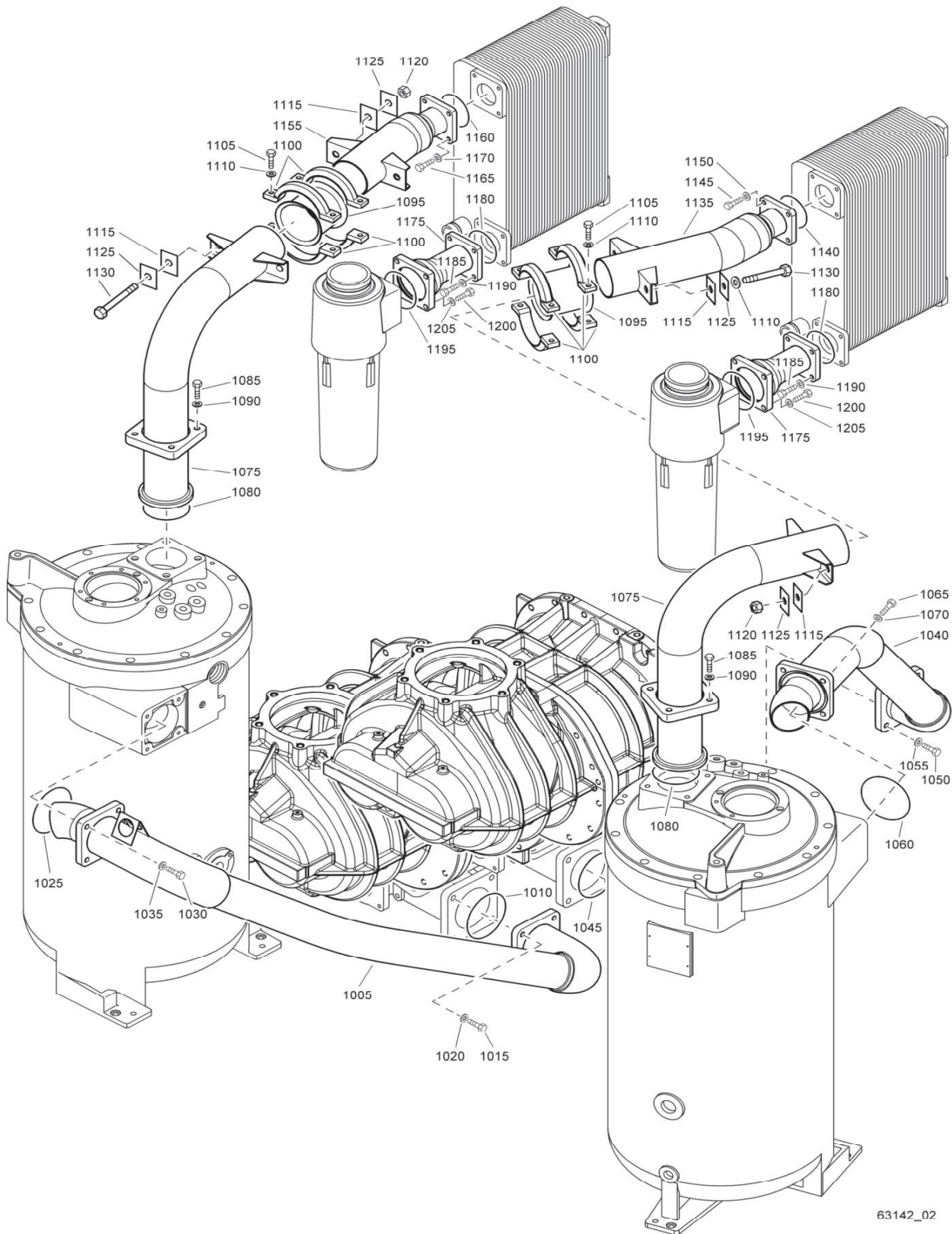
63143_02

Air Flow - Aircooled

6

Ref.	Partnumber	Qty	Name	Remarks	Ref.	Partnumber	Qty	Name	Remarks
			Air cooled		1120	0291 1114 00	4	Locknut	
1010	1621 2143 00	1	Hose assembly		1125	1614 8926 00	8	Absorber	
1015	0663 2106 58	1	O-ring		1130	0147 1503 03	4	Bolt	
1020	0147 1479 03	4	Bolt		1135	1621 4770 00	1	Pipe	
1025	0301 2378 00	4	Washer				• 1	Flange	
1030	0663 2106 20	1	O-ring				• 2	Bracket	
1035	0147 1403 03	4	Bolt		1140	0663 2106 19	1	O-ring	
1040	0301 2358 00	4	Washer		1145	0147 1403 03	4	Bolt	
1045	1621 2144 00	1	Hose assembly		1150	0301 2358 00	4	Washer	
1046	0663 2106 58	1	O-ring		1155	1621 4773 00	1	Pipe	
1050	0147 1479 03	4	Bolt				• 1	Pipe	
1055	0301 2378 00	4	Washer				• 2	Bracket	
1060	0663 2106 20	1	O-ring				• 1	Plate	
1065	0147 1403 03	4	Bolt		1160	0634 1000 56	1	Victaulic coupling	
1070	0301 2358 00	4	Washer		1165	1619 6607 03	1	U-bolt	
1075	1621 5014 00	2	Pipe		1167	0301 2358 00	4	Washer	
1080	0663 2106 19	2	O-ring		1170	1621 4772 00	1	Pipe	
1085	0147 1404 03	8	Bolt				• 1	Pipe	
1090	0301 2358 00	8	Washer				• 1	Flange	
1095	1614 9512 00	2	Pipe				• 1	Plate	
1100	1614 9509 00	4	Connection		1175	0663 2106 19	1	O-ring	
	1614 9513 00	• 1	Seal		1180	0147 1403 03	4	Bolt	
1105	0147 1367 03	8	Bolt		1185	0301 2358 00	4	Washer	
1110	0301 2344 00	8	Washer		1190	1619 6607 03	1	U-bolt	
1115	0306 2000 10	8	Washer						

7



63142_02

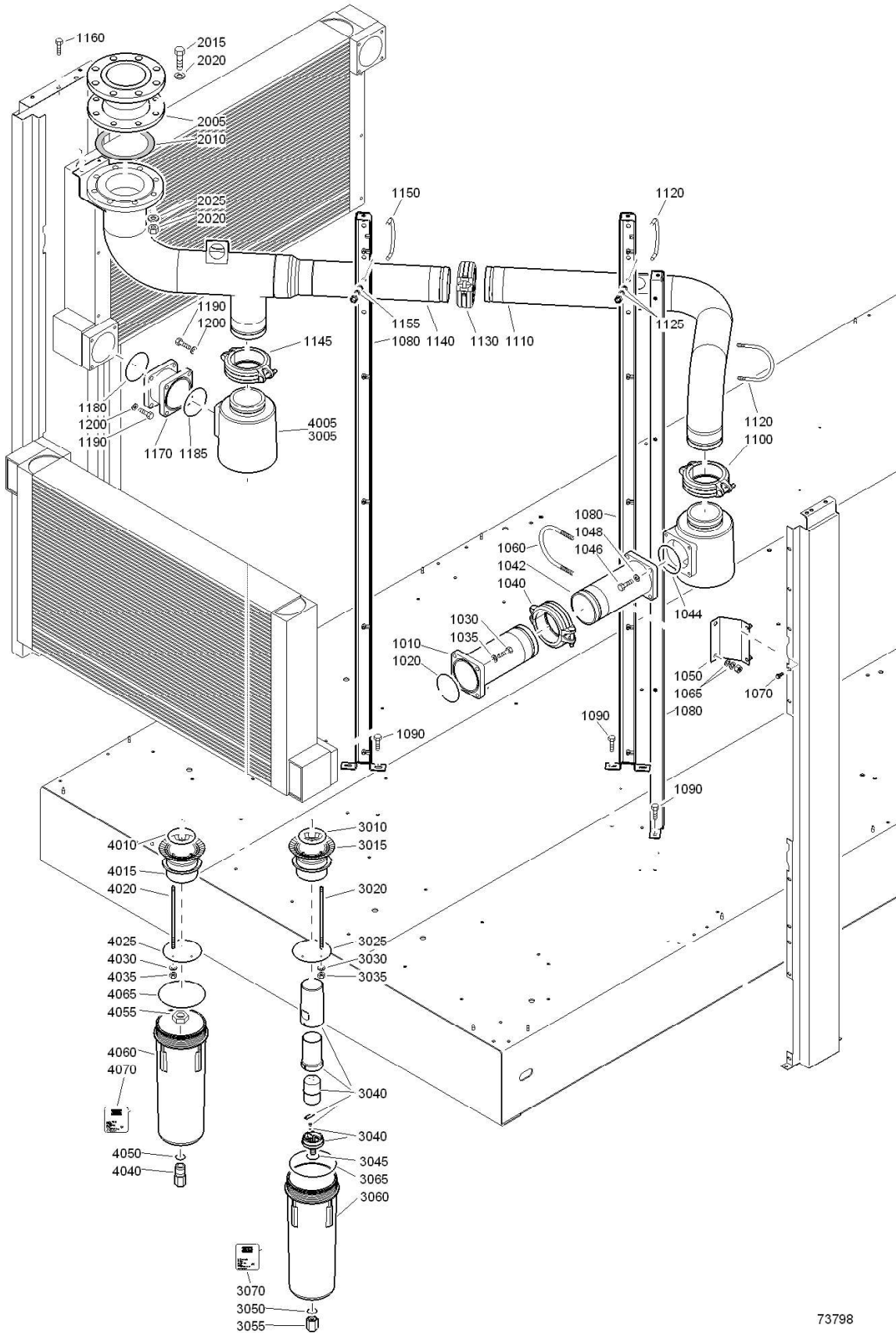
63142_02

Air Flow - Watercooled

7

Ref.	Part number	Qty	Name	Remarks	Ref.	Part number	Qty	Name	Remarks
Without Tube Coolers					With Tube Coolers				
1005	1621 2143 00	1	Hose assembly		1005	1621 2143 00	1	Hose assembly	
1010	0663 2106 58	1	O-ring		1010	0663 2106 58	1	O-ring	
1015	0147 1479 03	4	Bolt		1015	0147 1479 03	4	Bolt	
1020	0301 2378 00	4	Washer		1020	0301 2378 00	4	Washer	
1025	0663 2106 20	1	O-ring		1025	0663 2106 20	1	O-ring	
1030	0147 1403 03	4	Bolt		1030	0147 1403 03	4	Bolt	
1035	0301 2358 00	4	Washer		1035	0301 2358 00	4	Washer	
1040	1621 2144 00	1	Hose assembly		1040	1621 2144 00	1	Hose assembly	
1045	0663 2106 58	1	O-ring		1045	0663 2106 58	1	O-ring	
1050	0147 1479 03	4	Bolt		1050	0147 1479 03	4	Bolt	
1055	0301 2378 00	4	Washer		1055	0301 2378 00	4	Washer	
1060	0663 2106 20	1	O-ring		1060	0663 2106 20	1	O-ring	
1065	0147 1403 03	4	Bolt		1065	0147 1403 03	4	Bolt	
1070	0301 2358 00	4	Washer		1070	0301 2358 00	4	Washer	
1075	1621 5013 00	2	Pipe		1075	1621 5112 00	2	Pipe	
1080	0663 2106 19	2	O-ring		1080	0663 2106 19	2	O-ring	
1085	0147 1404 03	8	Bolt		1085	0147 1404 03	8	Bolt	
1090	0301 2358 00	8	Washer		1090	0301 2358 00	8	Washer	
1095	1614 9512 00	2	Pipe		1095	1614 9512 00	2	Pipe	
1100	1614 9509 00	4	Connection		1100	1614 9509 00	4	Connection	
	1614 9513 00	1	Seal			1614 9513 00	1	Seal	
1105	0147 1367 03	8	Bolt		1105	0147 1367 03	8	Bolt	
1110	0301 2344 00	8	Washer		1110	0301 2344 00	8	Washer	
1115	0306 2000 10	8	Washer		1115	0306 2000 10	8	Washer	
1120	0291 1114 00	8	Locknut		1120	0291 1114 00	4	Locknut	
1125	1614 8926 00	8	Absorber		1125	1614 8926 00	8	Absorber	
1130	0147 1503 03	4	Bolt		1130	0147 1503 03	4	Bolt	
1135	1621 2145 00	1	Pipe		1135	1621 2682 00	1	Pipe	
1140	0663 2106 17	1	O-ring		1140	0663 2106 20	1	O-ring	
1145	0147 1363 03	4	Bolt		1145	0147 1403 03	4	Bolt	
1150	0301 2344 00	4	Washer		1150	0301 2358 00	4	Washer	
1155	1621 1439 00	1	Pipe		1155	1621 2683 00	1	Pipe	
1160	0663 2106 17	1	O-ring		1160	0663 2106 20	1	O-ring	
1165	0147 1363 03	4	Bolt		1165	0147 1403 03	4	Bolt	
1170	0301 2344 00	4	Washer		1170	0301 2358 00	4	Washer	
1175	1621 2147 00	2	Pipe		1175	1621 2684 00	2	Pipe	
1180	0663 2106 20	2	O-ring		1180	0663 2106 20	2	O-ring	
1185	0147 1363 03	8	Bolt		1185	0147 1403 03	8	Bolt	
1190	0301 2358 00	8	Washer		1190	0301 2358 00	8	Washer	
1195	0663 2106 19	2	O-ring		1195	0663 2106 19	2	O-ring	
1200	0147 1403 03	8	Bolt		1200	0147 1403 03	8	Bolt	
1205	0301 2358 00	8	Washer		1205	0301 2358 00	8	Washer	

8



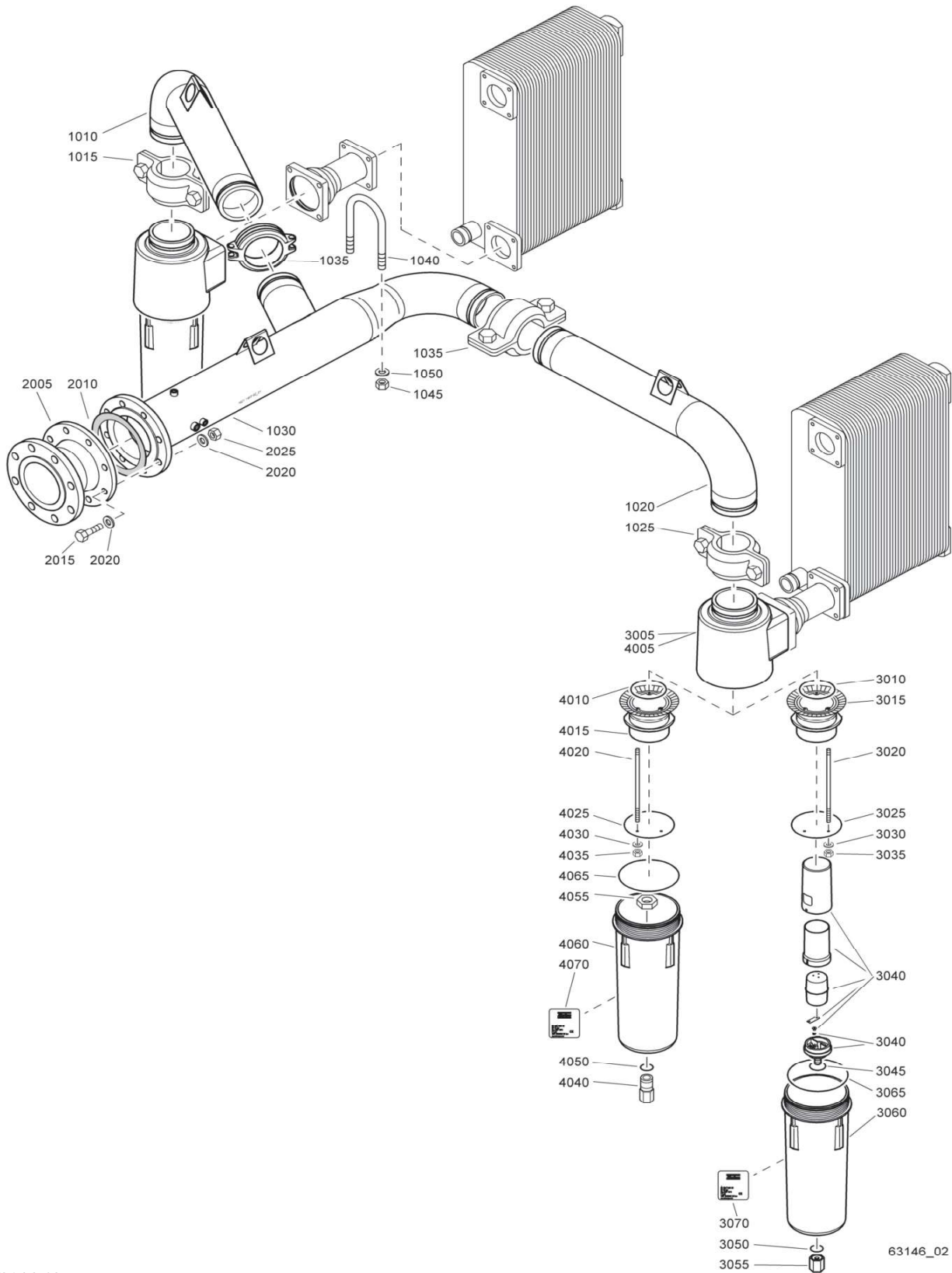
73798

Air Outlet - Aircooled

8

Ref.	Part number	Qty	Name	Remarks	Ref.	Part number	Qty	Name	Remarks
			GA 315		1170	1621 4771 00	1	Pipe	
			GA 355				• 2	Flange	
			GA 400		1180	0663 2106 19	2	O-ring	
			GA 450		1190	0147 1403 03	8	Bolt	
			GA 500		1200	0301 2358 00	8	Washer	
1010	1621 4774 00	1	Pipe		2005	1621 1498 00	1	Adapter	
		• 2	Flange		2010	0650 1000 90	1	Gasket	
		• 2	Pipe		2015	0147 1482 03	8	Bolt	
1020	0663 2106 19	1	O-ring		2020	0301 2378 00	16	Washer	
1030	0147 1403 03	4	Bolt		2025	0266 2114 00	8	Nut	
1035	0301 2358 00	4	Washer					Without Electronic condensate drain	
1040	0634 1000 56	1	Victaulic coupling						
1042	1621 4774 00	1	Pipe		3005	1614 9139 00	1	Head	
		• 2	Flange		3010	0663 6142 00	1	O-ring	
		• 2	Pipe		3015	1621 0461 00	1	Pipe	
1044	0663 2106 19	1	O-ring		3020	1621 0462 00	3	Rod	
1046	0147 1403 03	4	Bolt		3025	1621 0463 00	1	Disc	
1048	0301 2358 00	4	Washer		3030	0301 2118 01	3	Washer	
1050	1621 4832 00	1	Support		3035	0291 1107 00	3	Lock nut	
		• 2	Blind rivet nut		3040	1613 9378 93	1	Drain	
1060	1619 6607 03	1	U-bolt		3045	0663 2133 00	1	O-ring	
1065	0301 2358 00	4	Washer		3050	0663 2111 27	1	O-ring	
1070	1079 1472 06	2	Bolt		3055	1613 9381 00	1	Nut	
1080	1621 4768 00	3	Support		3060	1613 9464 00	1	Bowl	
		• 1	Blind rivet nut		3065	0663 2108 01	1	O-ring	
1090	1619 5337 01	6	Bolt		3070	1621 0465 01	1	Label	
1100	0634 1000 56	1	Victaulic coupling					With Electronic condensate drain	
1110	1621 4775 00	1	Pipe						
		• 2	Pipe		4005	1614 9139 00	1	Head	
		• 1	Plate		4010	0663 6142 00	1	O-ring	
1120	1619 6607 03	2	U-bolt		4015	1621 0461 00	1	Pipe	
1125	0301 2358 00	8	Washer		4020	1621 0462 00	3	Rod	
1130	0634 1000 56	1	Victaulic coupling		4025	1621 0463 00	1	Disc	
1140	1621 4776 00	1	Pipe		4030	0301 2118 01	3	Washer	
		• 2	Nut		4035	0291 1107 00	3	Lock nut	
		• 2	Pipe		4040	1613 9946 00	1	Connection	
		• 1	Plate		4050	0663 2111 27	1	O-ring	
		• 1	Reducing pipe		4055	0261 2118 00	1	Nut	
1145	0634 1000 56	1	Victaulic coupling		4060	1613 9464 00	1	Bowl	
1150	1619 6607 03	1	U-bolt		4065	0663 2108 01	1	O-ring	
1155	0301 2358 00	4	Washer		4070	1621 0465 02	1	Label	
1160	1079 1472 06	2	Bolt						

9



63146_02

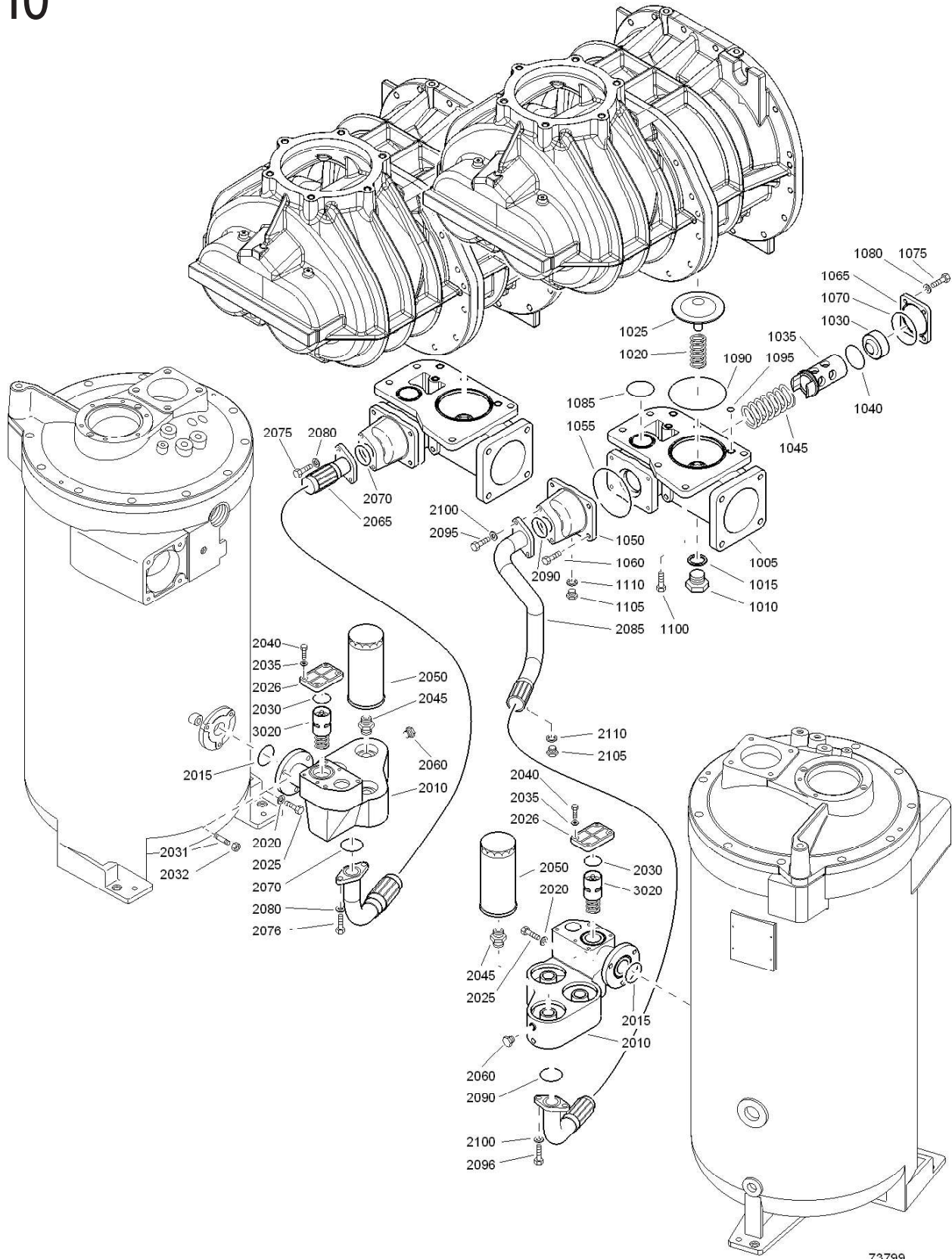
63146_02

Air Flow - Watercooled

9

Ref.	Part number	Qty	Name	Remarks	Ref.	Part number	Qty	Name	Remarks
			GA 315		3015	1621 0461 00	• 1	Pipe	
			GA 355		3020	1621 0462 00	• 3	Rod	
			GA 400		3025	1621 0463 00	• 1	Disc	
			GA 450		3030	0301 2118 01	• 3	Washer	
			GA 500		3035	0291 1107 00	• 3	Lock nut	
1010		1	Pipe		3040	1613 9378 93	• 1	Drain	
	1621 1496 00		Without Tube Coolers		3045	0663 2133 00	• 1	O-ring	
	1621 2686 00		With Tube Coolers		3050	0663 2111 27	• 1	O-ring	
1015	0634 1000 56	1	Victaulic coupling		3055	1613 9381 00	• 1	Nut	
1020		1	Pipe		3060	1613 9464 00	• 1	Bowl	
	1621 1496 00		Without Tube Coolers		3065	0663 2108 01	• 1	O-ring	
	1621 2686 00		With Tube Coolers		3070	1621 0465 01	• 1	Label	
1025	0634 1000 56	1	Victaulic coupling					With Electronic condensate drain	
1030	1621 1497 00	1	Pipe		4005	1614 9139 00	• 1	Head	
1035	0634 1000 56	2	Victaulic coupling		4010	0663 6142 00	• 1	O-ring	
1040	1619 6607 04	2	U-bolt		4015	1621 0461 00	• 1	Pipe	
1045	0266 2112 00	8	Nut		4020	1621 0462 00	• 3	Rod	
1050	0301 2358 00	8	Washer		4025	1621 0463 00	• 1	Disc	
2005	1621 1498 00	1	Adapter		4030	0301 2118 01	• 3	Washer	
2010	0650 1000 90	1	Gasket		4035	0291 1107 00	• 3	Lock nut	
2015	0147 1482 03	8	Bolt		4040	1613 9946 00	• 1	Connection	
2020	0301 2378 00	16	Washer		4050	0663 2111 27	• 1	O-ring	
2025	0266 2114 00	8	Nut		4055	0261 2118 00	• 1	Nut	
			Without Electronic condensate drain		4060	1613 9464 00	• 1	Bowl	
3005	1614 9139 00	• 1	Head		4065	0663 2108 01	• 1	O-ring	
3010	0663 6142 00	• 1	O-ring		4070	1621 0465 02	• 1	Label	

10



73799

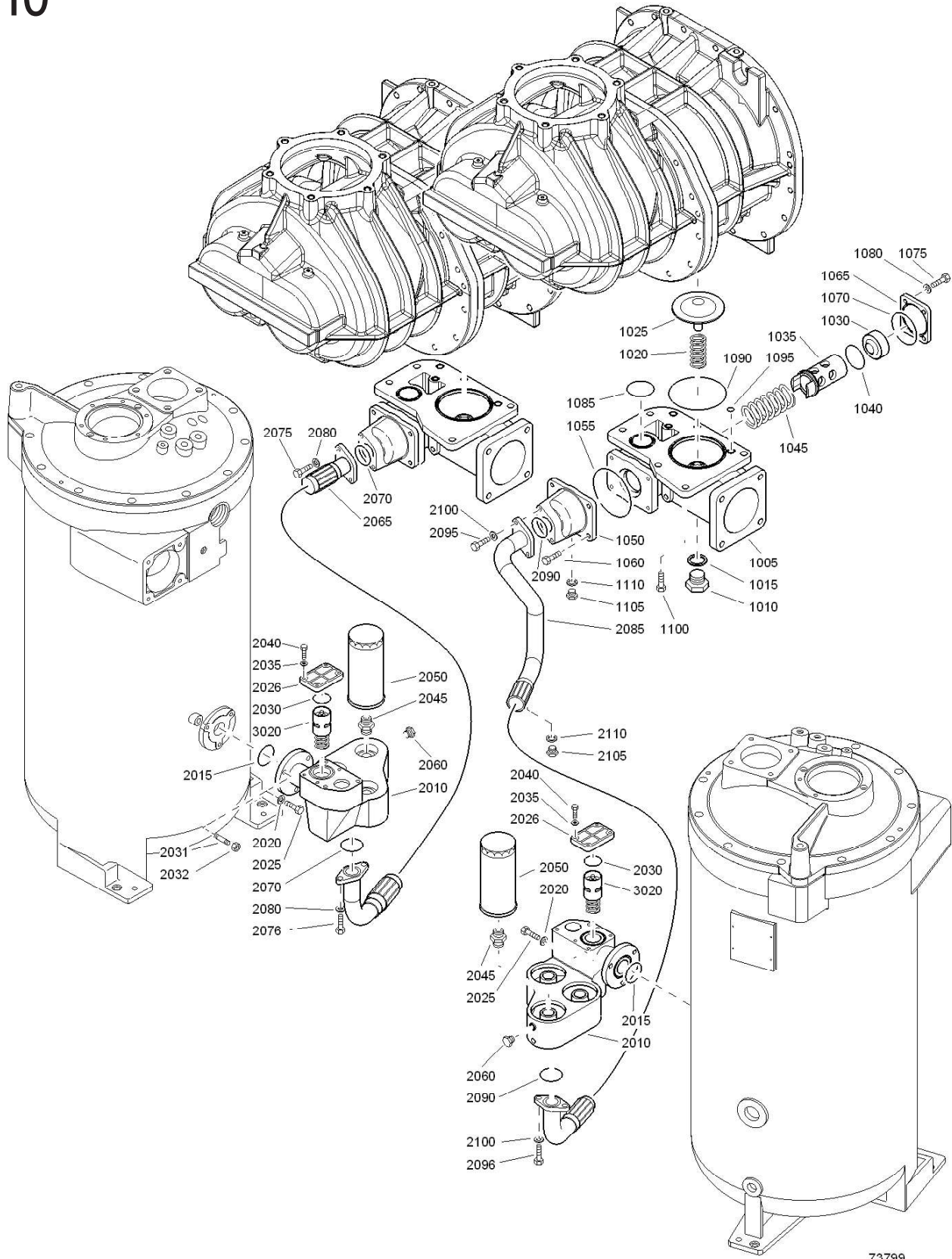
73799

Oil System

10

Ref.	Part number	Qty	Name	Remarks	Ref.	Part number	Qty	Name	Remarks
			Valves on Element					10 bar	
1005	1614 8980 00	1	Valve housing					10.4 bar	
1010	1614 8976 00	1	Plug		2010	1623 2875 00	2	Housing filter	
1015	0661 1000 30	1	Seal washer		2015	0663 2107 77	2	O-ring	
1020	1614 8978 00	1	Spring		2020	0301 2344 00	6	Washer	
1025	1614 8977 00	1	Check valve		2026	1614 9007 00	2	Cover	
1030	1614 8974 00	1	Piston		2030	0663 2107 77	2	O-ring	
1035	1623 4597 00	1	Valve oil stop		2031	0246 1956 36	6	Stud	
1045	1614 8979 00	1	Spring		2032	0266 2111 00	6	Nut	
1050	1614 8972 00	1	Cover		2035	0301 2335 00	8	Plain washer	
1055	0663 2106 18	1	O-ring		2040	0147 1325 03	8	Bolt	
1060	0147 1363 03	4	Bolt		2045	1623 1451 00	6	Nipple	
1065	1614 8975 00	1	Flange		2050	1621 7378 00	6	Filter	
1070	0663 2106 57	1	O-ring		2060	0686 3716 01	2	Plug	
1075	0147 1363 03	4	Bolt		2065	1621 2092 00	1	Hose assembly	
1080	0301 2344 00	4	Washer		2070	0663 2109 68	2	O-ring	
1085	0663 2102 89	1	O-ring		2075	0147 1363 03	2	Bolt	
1090	0663 2111 58	1	O-ring		2076	0147 1362 03	2	Bolt	
1095	0663 2111 66	3	O-ring		2080	0301 2344 00	4	Washer	
1100	0211 1960 28	6	Cap screw		2085	1621 2097 00	1	Hose assembly	
1105	0686 3716 01	2	Plug		2090	0663 2109 68	2	O-ring	
1110	0661 1000 25	2	Seal washer		2095	0147 1363 03	2	Bolt	
			Connect oil		2096	0147 1362 03	2	Bolt	
			Without Energy RECOVERY		2100	0301 2344 00	4	Washer	
			With Heavy duty air inlet		2105	0686 3716 01	1	Plug	
			filter		2110	0661 1000 25	1	Seal washer	
			6.9 bar		3020	1202 5869 01	2	Thermost.valve	
			7.5 bar				• 1	Spring	
			8.5 bar		1202 5869 02		• 2	Thermost.valve	
			8.6 bar				• 1	Spring	
			10 bar		1202 5869 04		• 2	Thermost.valve	
			10.4 bar				• 1	Spring	
2010	1623 2875 00	2	Housing filter					Without ENergy RECOVERY	
2015	0663 2107 77	2	O-ring					Without Heavy duty air inlet	
2020	0301 2344 00	6	Washer					filter	
2025	0147 1363 03	6	Bolt					6.9 bar	
2026	1614 9007 00	2	Cover					7.5 bar	
2030	0663 2107 77	2	O-ring					8.5 bar	
2035	0301 2335 00	8	Plain washer					8.6 bar	
2040	0147 1325 03	8	Bolt					10 bar	
2045	1623 1451 00	6	Nipple					10.4 bar	
2050	1621 7378 00	6	Filter		2010	1623 2875 00	2	Housing filter	
2060	0686 3716 01	2	Plug		2015	0663 2107 77	2	O-ring	
2065	1621 1440 00	1	Hose assembly		2020	0301 2344 00	6	Washer	
2070	0663 2109 68	2	O-ring		2025	0147 1363 03	6	Bolt	
2075	0147 1363 03	2	Bolt		2026	1614 9007 00	2	Cover	
2076	0147 1362 03	2	Bolt		2030	0663 2107 77	2	O-ring	
2080	0301 2344 00	4	Washer		2035	0301 2335 00	8	Plain washer	
2085	1621 1499 00	1	Hose assembly		2040	0147 1325 03	8	Bolt	
2090	0663 2109 68	2	O-ring		2045	1623 1451 00	6	Nipple	
2095	0147 1363 03	2	Bolt		2050	1621 7378 00	6	Filter	
2096	0147 1362 03	2	Bolt		2060	0686 3716 01	2	Plug	
2100	0301 2344 00	4	Washer		2065	1621 1440 00	1	Hose assembly	
2105	0686 3716 01	1	Plug		2070	0663 2109 68	2	O-ring	
2110	0661 1000 25	1	Seal washer		2075	0147 1363 03	2	Bolt	
			Water cooled		2076	0147 1362 03	2	Bolt	
			ENergy RECOVERY		2080	0301 2344 00	4	Washer	
			With Heavy duty air inlet		2085	1621 1499 00	1	Hose assembly	
			filter		2090	0663 2109 68	2	O-ring	
			6.9 bar		2095	0147 1363 03	2	Bolt	
			7.5 bar		2096	0147 1362 03	2	Bolt	
			8.5 bar		2100	0301 2344 00	4	Washer	
			8.6 bar		2105	0686 3716 01	1	Plug	

10



73799

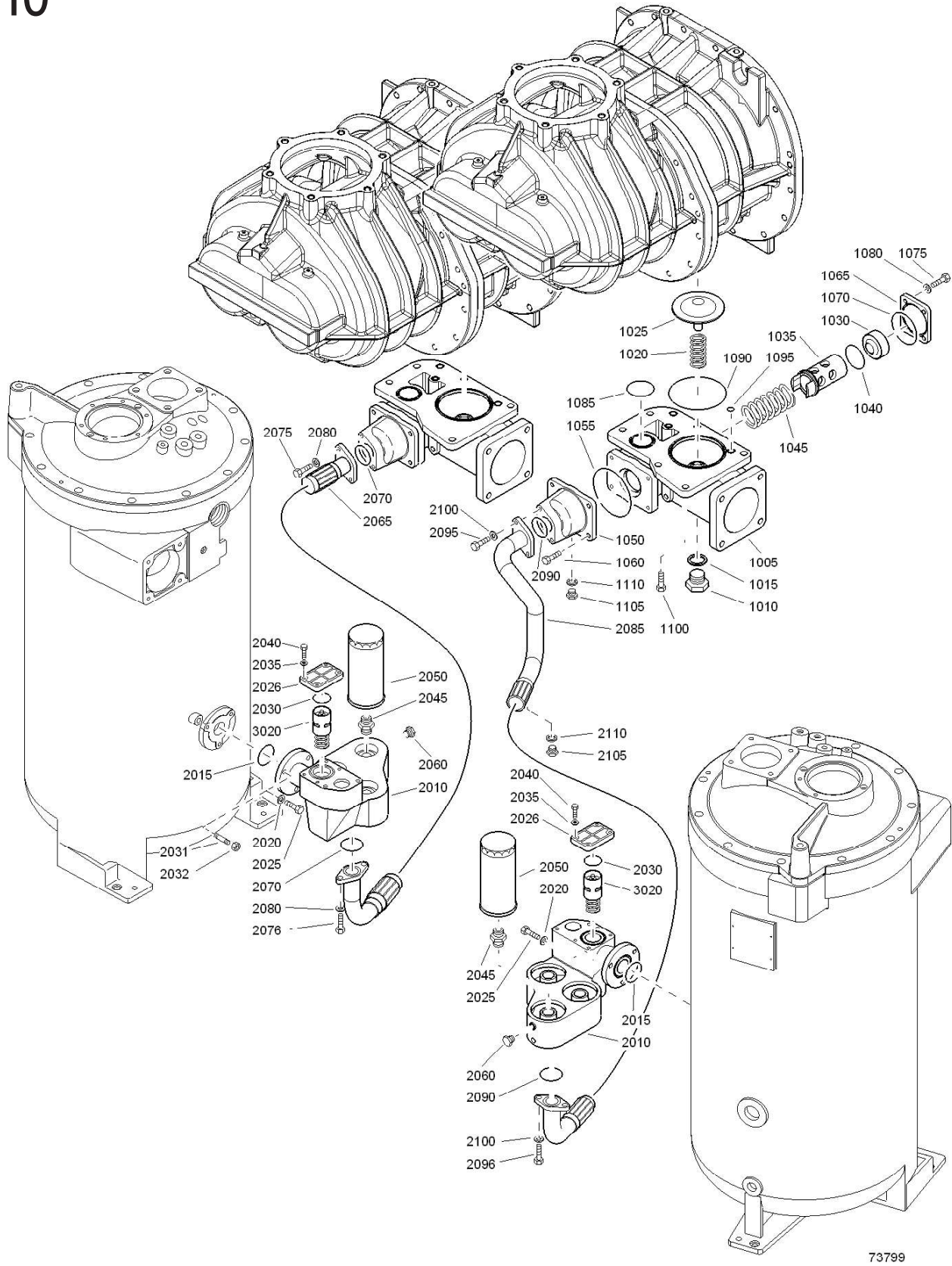
73799

Oil System

10

Ref.	Partnumber	Qty	Name	Remarks	Ref.	Partnumber	Qty	Name	Remarks
2110	0661 1000 25	1	Seal washer Without ENergy RECOVERY 13 bar 13.8 bar		2065	1621 2092 00	1	Hose assembly	
2010	1623 2875 00	2	Housing filter		2070	0663 2109 68	2	O-ring	
2015	0663 2107 77	2	O-ring		2075	0147 1363 03	2	Bolt	
2020	0301 2344 00	6	Washer		2076	0147 1362 03	2	Bolt	
2025	0147 1363 03	6	Bolt		2080	0301 2344 00	4	Washer	
2026	1614 9007 00	2	Cover		2085	1621 2097 00	1	Hose assembly	
2030	0663 2107 77	2	O-ring		2090	0663 2109 68	2	O-ring	
2035	0301 2335 00	8	Plain washer		2095	0147 1363 03	2	Bolt	
2040	0147 1325 03	8	Bolt		2096	0147 1362 03	2	Bolt	
2045	1623 1451 00	6	Nipple		2100	0301 2344 00	4	Washer	
2050	1621 7378 00	6	Filter		2105	0686 3716 01	1	Plug	
2060	0686 3716 01	2	Plug		2110	0661 1000 25	1	Seal washer	
2065	1621 1440 00	1	Hose assembly		3020	1202 5869 01	2	Thermost.valve	
2070	0663 2109 68	2	O-ring				• 1	Spring	
2075	0147 1363 03	2	Bolt			1202 5869 02	2	Thermost.valve	
2076	0147 1362 03	2	Bolt				• 1	Spring	
2080	0301 2344 00	4	Washer			1202 5869 04	2	Thermost.valve	
2085	1621 1499 00	1	Hose assembly				• 1	Spring	
2090	0663 2109 68	2	O-ring					Water cooled	
2095	0147 1363 03	2	Bolt					ENergy RECOVERY	
2096	0147 1632 03	2	Bolt					13 bar	
2100	0301 2344 00	4	Washer		2010	1623 2875 00	2	Housing filter	
2105	0686 3716 01	1	Plug		2015	0663 2107 77	2	O-ring	
2110	0661 1000 25	1	Seal washer Water cooled ENergy RECOVERY 6.9 bar 7.5 bar 8.5 bar 8.6 bar 10 bar 10.4 bar		2020	0301 2344 00	6	Washer	
					2026	1614 9007 00	2	Cover	
					2030	0663 2107 77	2	O-ring	
					2031	0246 1956 36	6	Stud	
					2032	0266 2111 00	6	Nut	
					2035	0301 2335 00	8	Plain washer	
2010	1623 2875 00	2	Housing filter		2040	0147 1325 03	8	Bolt	
2015	0663 2107 77	2	O-ring		2045	1623 1451 00	6	Nipple	
2020	0301 2344 00	6	Washer		2050	1621 7378 00	6	Filter	
2026	1614 9007 00	2	Cover		2060	0686 3716 01	2	Plug	
2030	0663 2107 77	2	O-ring		2065	1621 2092 00	1	Hose assembly	
2031	0246 1956 36	6	Stud		2070	0663 2109 68	2	O-ring	
2032	0266 2111 00	6	Nut		2075	0147 1363 03	2	Bolt	
2035	0301 2335 00	8	Plain washer		2076	0147 1362 03	2	Bolt	
2040	0147 1325 03	8	Bolt		2080	0301 2344 00	4	Washer	
2045	1623 1451 00	6	Nipple		2085	1621 2097 00	1	Hose assembly	
2050	1621 7378 00	6	Filter		2090	0663 2109 68	2	O-ring	
2060	0686 3716 01	2	Plug		2095	0147 1363 03	2	Bolt	
					2096	0147 1362 03	2	Bolt	
					2100	0301 2344 00	4	Washer	
					2105	0686 3716 01	1	Plug	
					2110	0661 1000 25	1	Seal washer	

10



73799

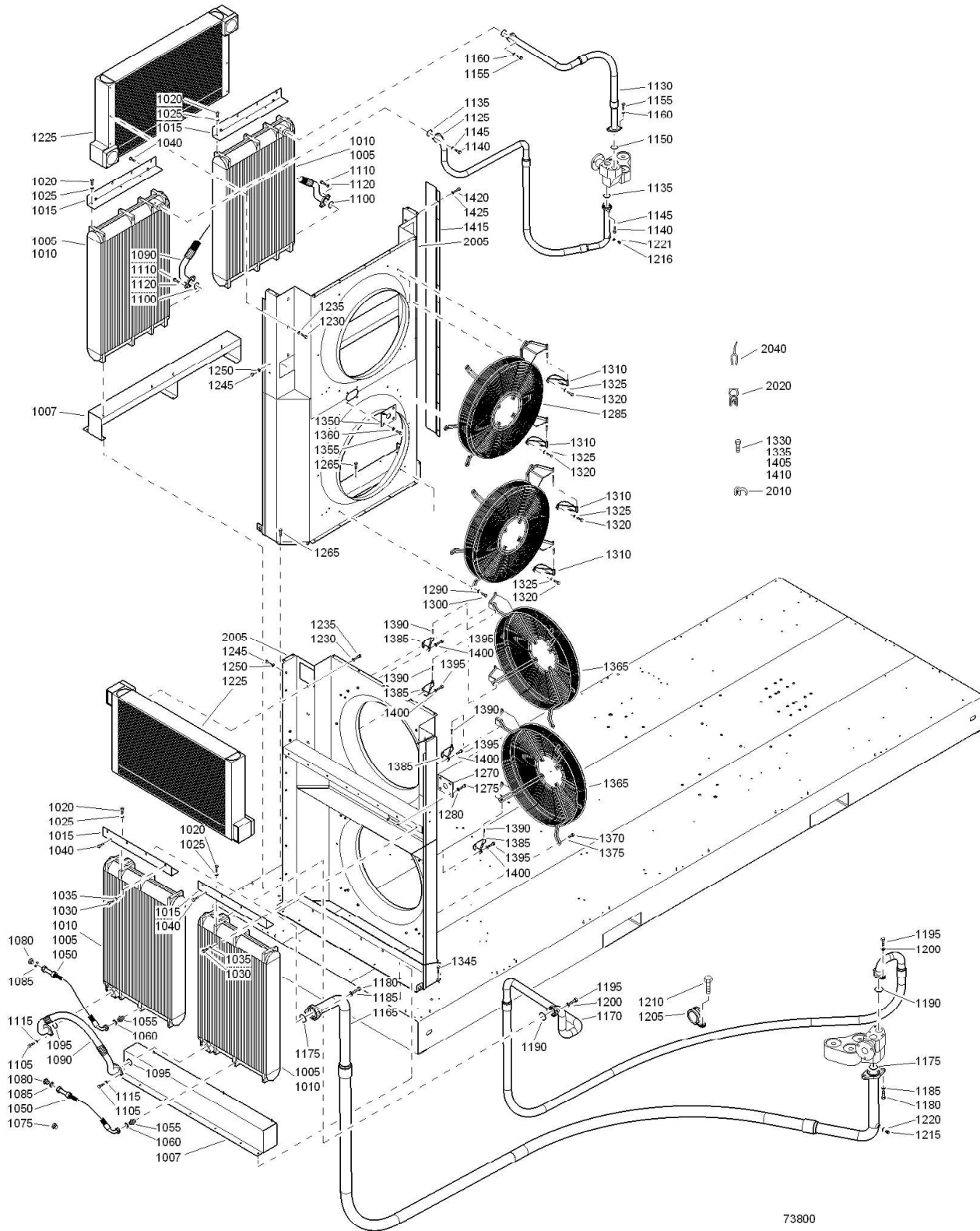
73799

Oil System

10

Ref.	Part number	Qty	Name	Remarks	Ref.	Part number	Qty	Name	Remarks
3020	1202 5869 01	2	Thermost.valve					10 bar	
		• 1	Spring					10.4 bar	
	1202 5869 02	2	Thermost.valve					13 bar	
		• 1	Spring					13.8 bar	
	1202 5869 04	2	Thermost.valve		3020	1202 5869 01	1	Thermost.valve	
		• 1	Spring				• 1	Spring	
			Thermostatic valve					GA315	
			GA315					GA355	
			GA355					GA400	
			GA400					GA450	
			GA450					8.5 bar	
			GA500					8.6 bar	
			6.9 bar					10 bar	
			7.5 bar					10.4 bar	
			8.5 bar		3020	1202 5869 03	1	Thermost.valve	
			8.6 bar				• 1	Spring	
			10 bar					GA315	
			10.4 bar					GA355	
3020	1202 5869 02	1	Thermost.valve					GA400	
		• 1	Spring					GA450	
			GA315					13 bar	
			GA355					13.8 bar	
			GA400		3020	1202 5869 04	1	Thermost.valve	
			GA500				• 1	Spring	

11



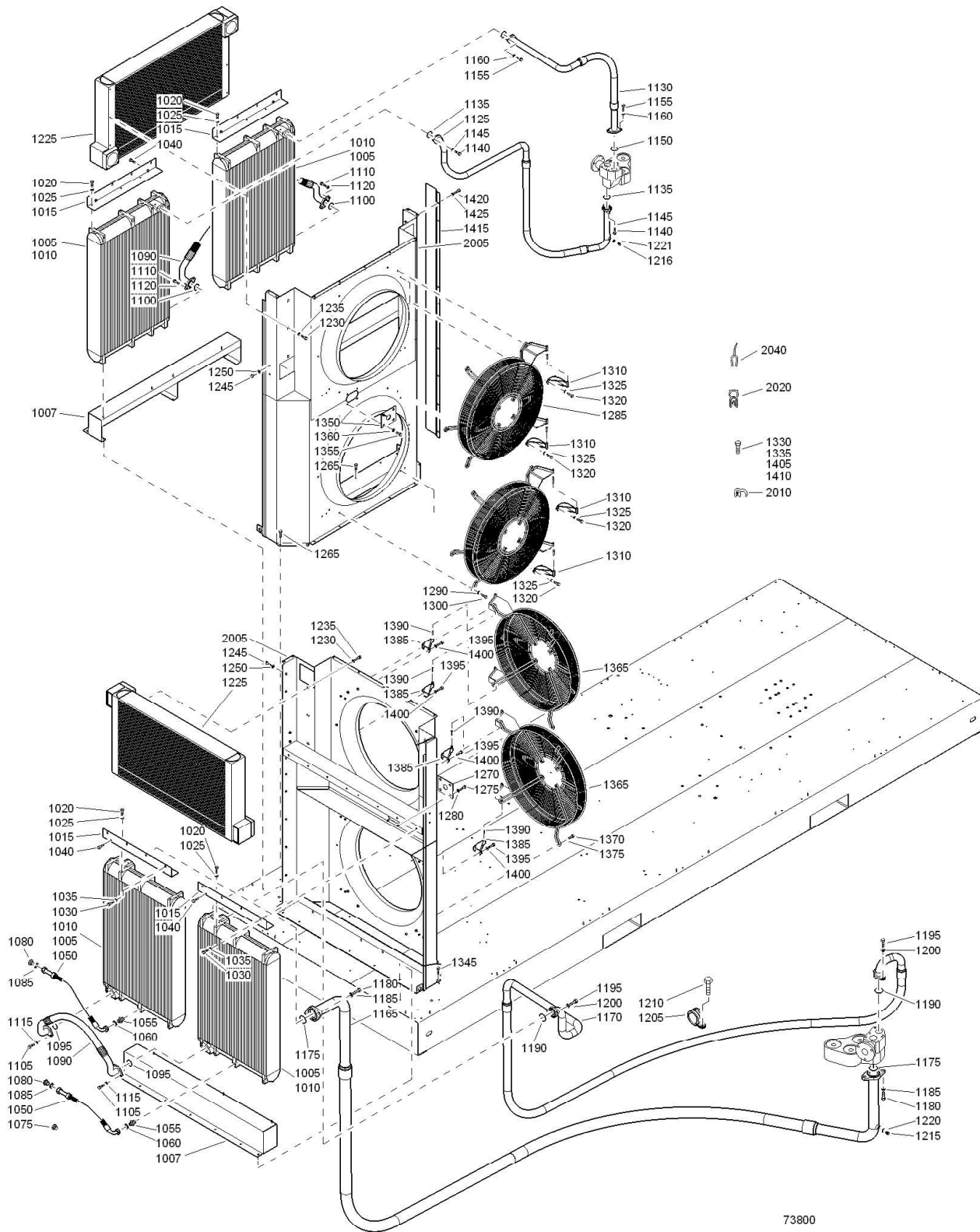
73800

Coolers - Aircooled

11

Ref.	Part number	Qty	Name	Remarks	Ref.	Part number	Qty	Name	Remarks
			Air cooled		1325	0301 2358 00	8	Washer	
			GA 315		1330	0147 1325 03	8	Bolt	
			GA 355		1335	0147 1363 03	10	Bolt	
			GA 400		1345	1619 5337 01	16	Bolt	
1005	1614 9588 00	4	Oil cooler		1350	1621 0459 00	1	Cover	
1007	1621 4761 00	2	Support		1355	0147 1325 03	4	Bolt	
1010	0395 6005 83	2	Silencing foam		1360	0300 0274 94	4	Plain washer	
1015	1614 8985 00	4	Bracket		1365	1623 4862 00	2	Guard	
1020	0147 1360 03	12	Bolt		1370	1623 4907 00	10	Bolt	
1025	0301 2344 00	12	Washer		1375	0333 3232 00	10	Lock washer	
1030	0147 1360 03	16	Bolt		1385	1621 5584 00	4	Hinge	
1035	0301 2344 00	16	Washer		1390	1619 5337 01	8	Bolt	
1040	0147 1360 03	8	Bolt		1395	0147 1401 03	8	Bolt	
1050	0574 8235 32	4	Hose assembly		1400	0301 2358 00	8	Washer	
1055	1079 5840 15	4	Nipple		1405	0147 1325 03	8	Bolt	
1060	0661 1000 27	4	Seal washer		1410	0147 1363 03	10	Bolt	
1075	1614 9252 00	4	Plug		1415	1621 5147 00	1	Baffle	
1080	0686 3716 02	4	Plug		1420	0147 1320 03	9	Bolt	
1085	0661 1000 27	4	Seal washer		1425	0301 2335 00	9	Plain washer	
1090	1621 0431 00	2	Hose assembly			1621 0425 80	2	Fan cowl	
1095	0663 2109 68	2	O-ring		2005		2	Fan cowl	
1100	0663 2109 68	2	O-ring		2010	1619 2665 00	AR	Seal	
1105	0147 1363 03	4	Bolt		2020	1202 6584 00	AR	Seal	
1110	0147 1363 03	4	Bolt		2040	1619 2473 00	AR	Seal	
1115	0301 2344 00	4	Washer					Air cooled	
1120	0301 2344 00	4	Washer					GA 450	
1125	1621 5627 00	1	Hose					GA 500	
1130	1621 4759 00	1	Hose		1005	1614 9589 00	4	Oil cooler	
1135	0663 2109 68	2	O-ring		1010	0395 6002 56	2	Silencing foam	
1140	0147 1363 03	4	Bolt		1015	1614 8985 00	4	Bracket	
1145	0301 2344 00	4	Washer		1020	0147 1360 03	12	Bolt	
1150	0663 2109 68	2	O-ring		1025	0301 2344 00	12	Washer	
1155	0147 1362 03	4	Bolt		1030	0147 1360 03	16	Bolt	
1160	0301 2344 00	4	Washer		1035	0301 2344 00	16	Washer	
1165	1621 5626 00	1	Hose		1040	0147 1360 03	8	Bolt	
1170	1621 4749 00	1	Hose		1050	0574 8235 32	4	Hose assembly	
1175	0663 2109 68	2	O-ring		1055	1079 5840 15	4	Nipple	
1180	0147 1363 03	4	Bolt		1060	0661 1000 27	4	Seal washer	
1185	0301 2344 00	4	Washer		1075	1614 9252 00	4	Plug	
1190	0663 2109 68	2	O-ring		1080	0686 3716 02	4	Plug	
1195	0147 1362 03	4	Bolt		1085	0661 1000 27	4	Seal washer	
1200	0301 2344 00	4	Washer		1090	1621 0431 00	2	Hose assembly	
1205	1619 2861 01	3	Clamp		1095	0663 2109 68	2	O-ring	
1210	1619 5337 01	3	Bolt		1100	0663 2109 68	2	O-ring	
1215	0686 3716 01	2	Plug		1105	0147 1363 03	4	Bolt	
1216	0686 3716 01	2	Plug		1110	0147 1363 03	4	Bolt	
1220	0661 1000 25	2	Seal washer		1115	0301 2344 00	4	Washer	
1221	0661 1000 25	2	Seal washer		1120	0301 2344 00	4	Washer	
1225	1614 8969 00	2	Aftercooler		1125	1621 5627 00	1	Hose	
1230	0147 1360 03	12	Bolt		1130	1621 4759 00	1	Hose	
1235	0300 0274 17	12	Washer		1135	0663 2109 68	2	O-ring	
1240	1619 6449 00	2	Seal		1140	0147 1363 03	4	Bolt	
1245	0147 1360 03	8	Bolt		1145	0301 2344 00	4	Washer	
1250	0301 2344 00	8	Washer		1150	0663 2109 68	2	O-ring	
1265	1619 5337 01	16	Bolt		1155	0147 1362 03	4	Bolt	
1270	1621 0459 00	1	Cover		1160	0301 2344 00	4	Washer	
1275	0147 1325 03	4	Bolt		1165	1621 5626 00	1	Hose	
1280	0300 0274 94	4	Plain washer		1170	1621 4749 00	1	Hose	
1285	1623 4862 00	2	Guard		1175	0663 2109 68	2	O-ring	
1290	1623 4907 00	10	Bolt		1180	0147 1363 03	4	Bolt	
1300	0333 3232 00	10	Lock washer		1185	0301 2344 00	4	Washer	
1310	1621 5583 00	4	Hinge		1190	0663 2109 68	2	O-ring	
1315	1619 5337 01	8	Bolt		1195	0147 1362 03	4	Bolt	
1320	0147 1401 03	8	Bolt		1200	0301 2344 00	4	Washer	

11



73800

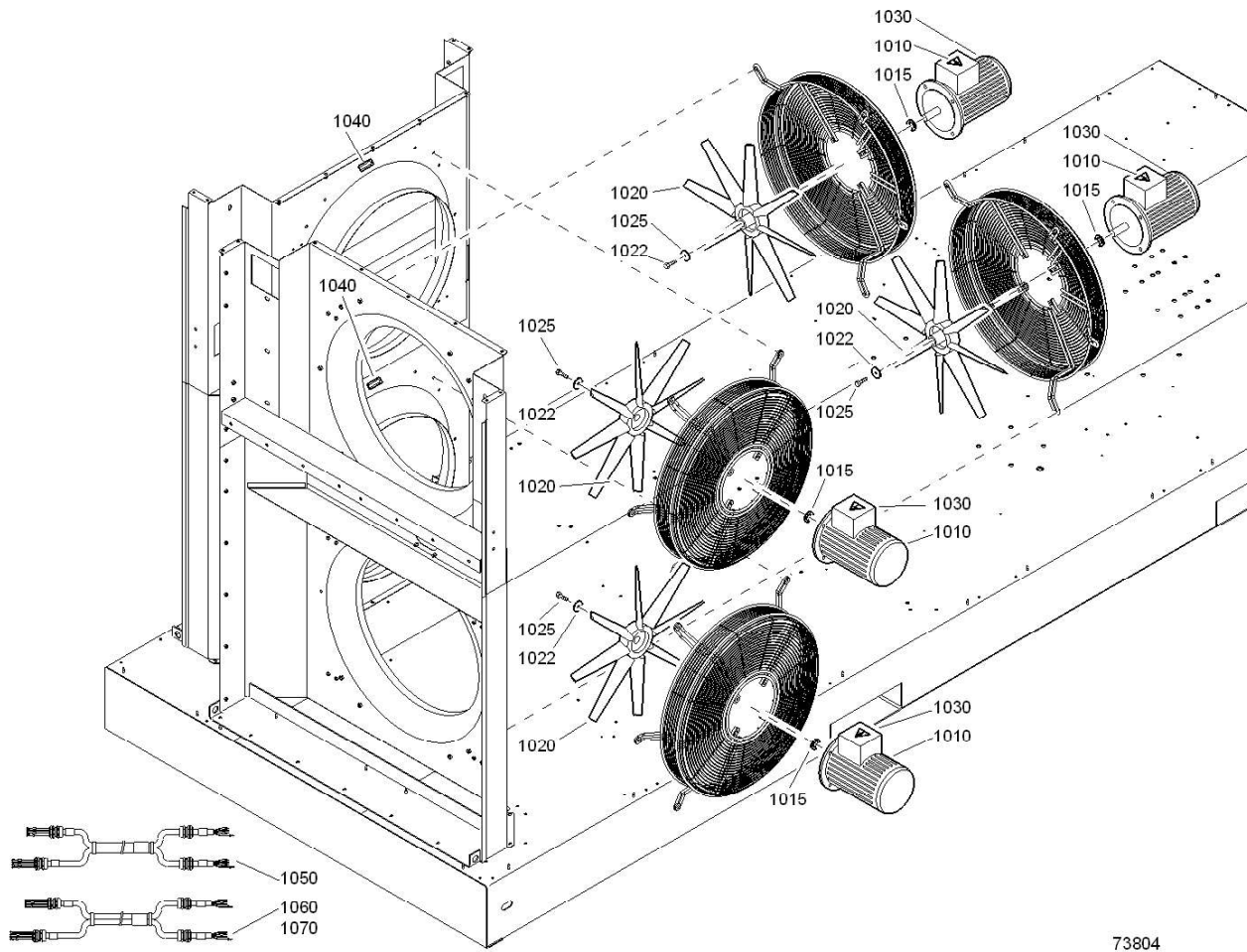
73800

Coolers - Aircooled

11

Ref.	Part number	Qty	Name	Remarks	Ref.	Part number	Qty	Name	Remarks
1205	1619 2861 01	3	Clamp		1335	0147 1363 03	10	Bolt	
1210	1619 5337 01	3	Bolt		1345	1619 5337 01	16	Bolt	
1215	0686 3716 01	2	Plug		1350	1621 0459 00	1	Cover	
1216	0686 3716 01	2	Plug		1355	0147 1325 03	4	Bolt	
1220	0661 1000 25	2	Seal washer		1360	0300 0274 94	4	Plain washer	
1221	0661 1000 25	2	Seal washer		1365	1623 4862 00	2	Guard	
1225	1614 8969 00	2	Aftercooler		1370	1623 4907 00	10	Bolt	
1230	0147 1360 03	12	Bolt		1375	0333 3232 00	10	Lock washer	
1235	0300 0274 17	12	Washer		1385	1621 5584 00	4	Hinge	
1240	1619 6449 00	2	Seal		1390	1619 5337 01	8	Bolt	
1245	0147 1360 03	8	Bolt		1395	0147 1401 03	8	Bolt	
1250	0301 2344 00	8	Washer		1400	0301 2358 00	8	Washer	
1265	1619 5337 01	16	Bolt		1405	0147 1325 03	8	Bolt	
1270	1621 0459 00	1	Cover		1410	0147 1363 03	10	Bolt	
1275	0147 1325 03	4	Bolt		1415	1621 5147 00	1	Baffle	
1280	0300 0274 94	4	Plain washer		1420	0147 1320 03	9	Bolt	
1285	1623 4862 00	2	Guard		1425	0301 2335 00	9	Plain washer	
1290	1623 4907 00	10	Bolt			1621 0425 80	2	Fan cowl	
1300	0333 3232 00	10	Lock washer		2005		• 2	Fan cowl	
1310	1621 5583 00	4	Hinge		2010	1619 2665 00	• AR	Seal	
1315	1619 5337 01	8	Bolt		2020	1202 6584 00	• AR	Seal	
1320	0147 1401 03	8	Bolt		2040	1619 2473 00	• AR	Seal	
1325	0301 2358 00	8	Washer		2050	1202 6584 00	• AR	Seal	
1330	0147 1325 03	8	Bolt						

12



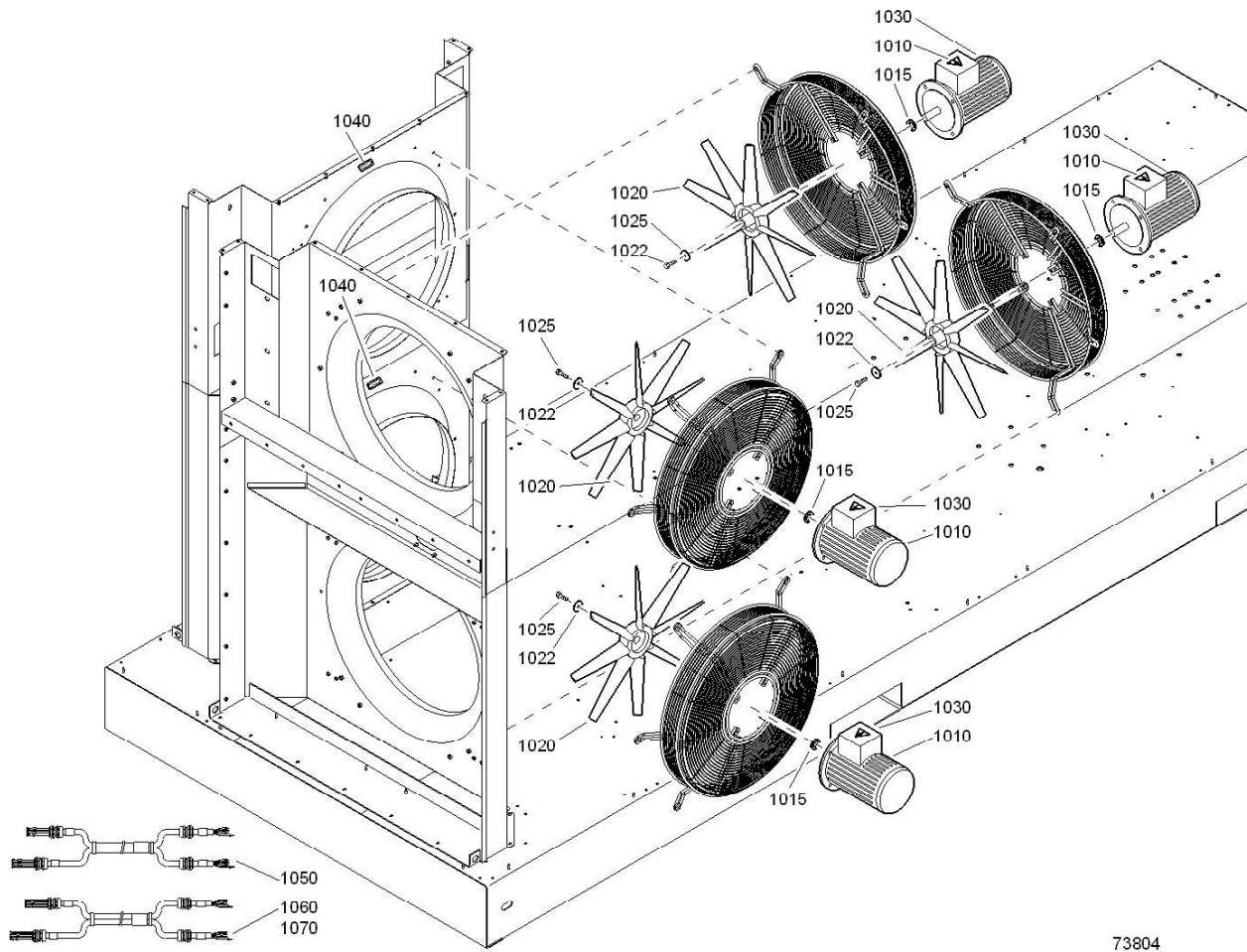
73804

Coolers - GA (A) - Fan and cooling duct plates

12

Ref.	Partnumber	Qty	Name	Remarks	Ref.	Partnumber	Qty	Name	Remarks
			GA 315 400V 50Hz IEC					GA 315 400V 50Hz IEC	
			GA 315 400V 50Hz IEC					GA 315 500V 50Hz IEC	
			GA 315 500V 50Hz IEC					GA 355 380V 60Hz IEC	
			GA 355 380V 60Hz IEC					GA 355 400V 50Hz IEC	
			GA 355 400V 50Hz IEC					GA 355 440-460V 60Hz IEC	
			GA 355 440-460V 60Hz IEC					GA 355 440-460V 60Hz	
			GA 355 440-460V 60Hz					CSA-UL	
			CSA-UL					GA 355 500V 50Hz IEC	
			GA 355 500V 50Hz IEC					GA 355 575V 60Hz CSA-UL	
			GA 355 575V 60Hz CSA-UL					GA 400 400V 50Hz IEC	
			GA 400 400V 50Hz IEC					GA 400 500V 50Hz IEC	
			GA 400 500V 50Hz IEC					GA 400 380V 60Hz IEC	
			GA 400 380V 60Hz IEC					GA 400 440-460V 60Hz IEC	
			GA 400 440-460V 60Hz IEC					GA 400 440-460V 60Hz	
			GA 400 440-460V 60Hz					CSA-UL	
			CSA-UL					GA 400 575V 60Hz CSA-UL	
			GA 400 575V 60Hz CSA-UL					GA 450 400V 50Hz IEC	
			GA 450 400V 50Hz IEC					GA 450 500V 50Hz IEC	
			GA 450 500V 50Hz IEC					GA 450 380V 60Hz IEC	
			GA 450 380V 60Hz IEC					GA 450 440-460V 60Hz IEC	
			GA 450 440-460V 60Hz IEC					GA 450 440-460V 60Hz	
			GA 450 440-460V 60Hz					CSA-UL	
			CSA-UL					GA 450 575V 60Hz CSA-UL	
			GA 450 575V 60Hz CSA-UL					GA 500 400V 50Hz IEC	
			GA 500 400V 50Hz IEC					GA 500 500V 50Hz IEC	
			GA 500 500V 50Hz IEC					GA 500 440-460 V 60 Hz	
			GA 500 440-460 V 60Hz					CSA-UL	
			CSA-UL					GA 500 575 V 60 Hz CSA-	
			GA 500 575 V 60 Hz CSA-					UL	
			UL		1020	1614928700	4	Fan	
1010	1080403414	4	Motor					GA 315 400V 50Hz IEC	
			GA 315 400V 50Hz IEC					GA 315 500V 50Hz IEC	
			GA 315 500V 50Hz IEC					GA 355 380V 60Hz IEC	
			GA 355 380V 60Hz IEC					GA 355 400V 50Hz IEC	
			GA 355 400V 50Hz IEC					GA 355 440-460V 60Hz IEC	
			GA 355 440-460V 60Hz IEC					GA 355 440-460V 60Hz	
			GA 355 440-460V 60Hz					CSA-UL	
			CSA-UL					GA 355 500V 50Hz IEC	
			GA 355 500V 50Hz IEC					GA 355 575V 60Hz CSA-UL	
			GA 355 575V 60Hz CSA-UL					GA 400 400V 50Hz IEC	
			GA 400 400V 50Hz IEC					GA 400 500V 50Hz IEC	
			GA 400 500V 50Hz IEC					GA 400 380V 60Hz IEC	
			GA 400 380V 60Hz IEC					GA 400 440-460V 60Hz IEC	
			GA 400 440-460V 60Hz IEC					GA 400 440-460V 60Hz	
			GA 400 440-460V 60Hz					CSA-UL	
			CSA-UL					GA 400 575V 60Hz CSA-UL	
			GA 400 575V 60Hz CSA-UL					GA 450 400V 50Hz IEC	
			GA 450 400V 50Hz IEC					GA 450 500V 50Hz IEC	
			GA 450 500V 50Hz IEC					GA 450 380V 60Hz IEC	
			GA 450 380V 60Hz IEC					GA 450 440-460V 60Hz IEC	
			GA 450 440-460V 60Hz IEC					GA 450 440-460V 60Hz	
			GA 450 440-460V 60Hz					CSA-UL	
			CSA-UL					GA 450 575V 60Hz CSA-UL	
			GA 450 575V 60Hz CSA-UL					GA 500 400V 50Hz IEC	
			GA 500 400V 50Hz IEC					GA 500 500V 50Hz IEC	
			GA 500 500V 50Hz IEC					GA 500 440-460 V 60 Hz	
			GA 500 440-460 V 60Hz					CSA-UL	
			CSA-UL					GA 500 575 V 60 Hz	
			GA 500 575 V 60 Hz CSA-					UL	
			UL		1022	1614645600	4	Washer	
1015	1614645300	4	Washer					GA 315 400V 50Hz IEC	

12



73804

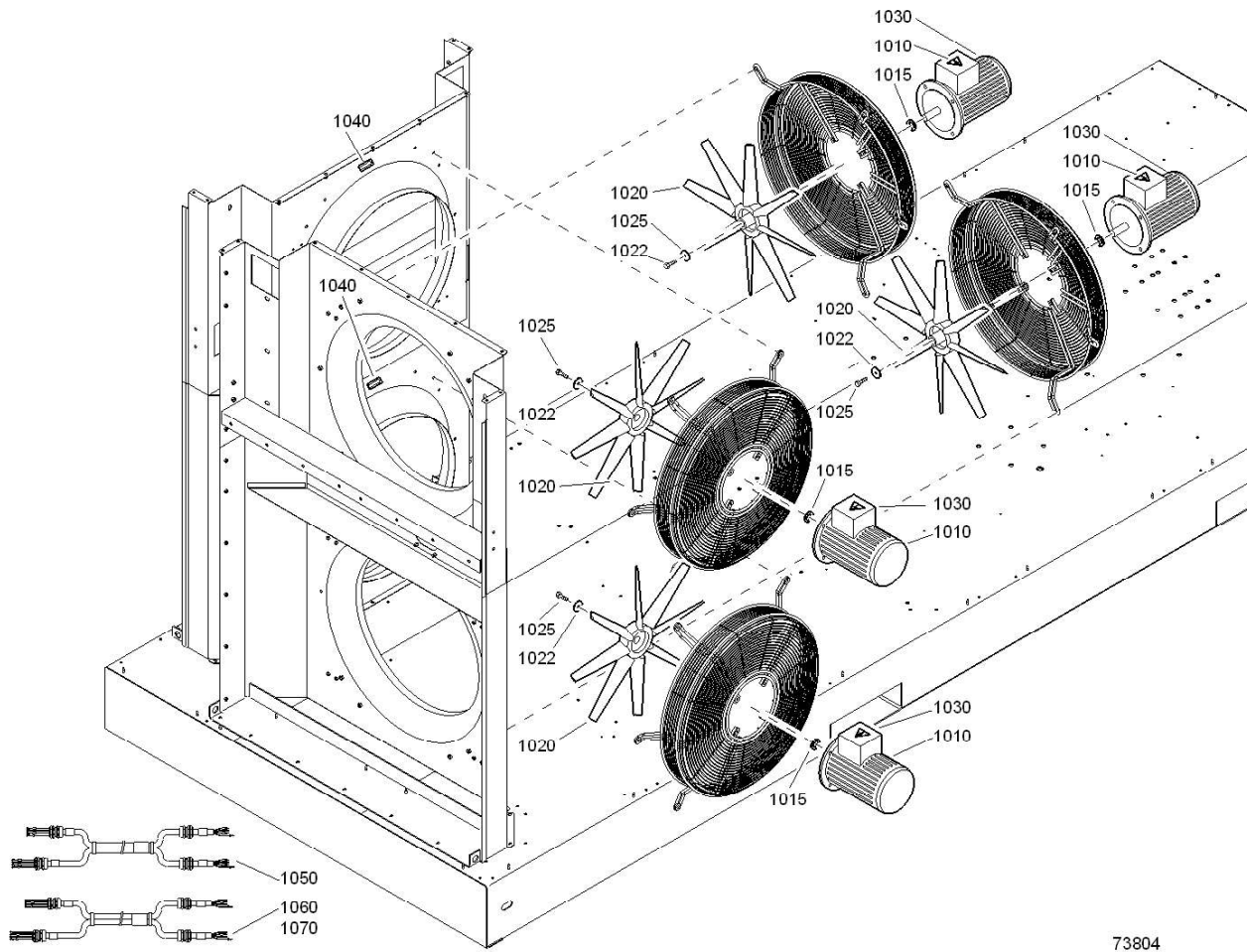
73804

Coolers - GA (A) - Fan and cooling duct plates

12

Ref.	Partnumber	Qty	Name	Remarks	Ref.	Partnumber	Qty	Name	Remarks
			GA 315 500V 50Hz IEC					GA 355 380V 60Hz IEC	
			GA 355 380V 60Hz IEC					GA 355 400V 50Hz IEC	
			GA 355 400V 50Hz IEC					GA 355 440-460V 60Hz IEC	
			GA 355 440-460V 60Hz IEC					GA 355 440-460V 60Hz	
			GA 355 440-460V 60Hz					CSA-UL	
			CSA-UL					GA 355 500V 50Hz IEC	
			GA 355 500V 50Hz IEC					GA 355 575V 60Hz CSA-UL	
			GA 355 575V 60Hz CSA-UL					GA 400 400V 50Hz IEC	
			GA 400 400V 50Hz IEC					GA 400 500V 50Hz IEC	
			GA 400 500V 50Hz IEC					GA 400 380V 60Hz IEC	
			GA 400 380V 60Hz IEC					GA 400 440-460V 60Hz IEC	
			GA 400 440-460V 60Hz IEC					GA 400 440-460V 60Hz	
			GA 400 440-460V 60Hz					CSA-UL	
			CSA-UL					GA 400 575V 60Hz CSA-UL	
			GA 400 575V 60Hz CSA-UL					GA 450 400V 50Hz IEC	
			GA 450 400V 50Hz IEC					GA 450 500V 50Hz IEC	
			GA 450 500V 50Hz IEC					GA 450 380V 60Hz IEC	
			GA 450 380V 60Hz IEC					GA 450 440-460V 60Hz IEC	
			GA 450 440-460V 60Hz IEC					GA 450 440-460V 60Hz	
			GA 450 440-460V 60Hz					CSA-UL	
			CSA-UL					GA 450 575V 60Hz CSA-UL	
			GA 450 575V 60Hz CSA-UL					GA 500 400V 50Hz IEC	
			GA 500 400V 50Hz IEC					GA 500 500V 50Hz IEC	
			GA 500 500V 50Hz IEC					GA 500 440-460 V 60 Hz	
			GA 500 440-460 V 60 Hz					CSA-UL	
			CSA-UL					GA 500 575 V 60 Hz	
			GA 500 575 V 60 Hz					CSA-UL	
			CSA-UL		1040	1503 0786 00	4	Rotation arrow	
1025	0147 1363 03	4	Bolt					GA 315 400V 50Hz IEC	
			GA 315 400V 50Hz IEC					GA 315 500V 50Hz IEC	
			GA 315 500V 50Hz IEC					GA 355 380V 60Hz IEC	
			GA 355 380V 60Hz IEC					GA 355 400V 50Hz IEC	
			GA 355 400V 50Hz IEC					GA 355 440-460V 60Hz IEC	
			GA 355 440-460V 60Hz IEC					GA 355 440-460V 60Hz	
			GA 355 440-460V 60Hz					CSA-UL	
			CSA-UL					GA 355 500V 50Hz IEC	
			GA 355 500V 50Hz IEC					GA 355 575V 60Hz CSA-UL	
			GA 355 575V 60Hz CSA-UL					GA 400 400V 50Hz IEC	
			GA 400 400V 50Hz IEC					GA 400 500V 50Hz IEC	
			GA 400 500V 50Hz IEC					GA 400 380V 60Hz IEC	
			GA 400 380V 60Hz IEC					GA 400 440-460V 60Hz IEC	
			GA 400 440-460V 60Hz IEC					GA 400 440-460V 60Hz	
			GA 400 440-460V 60Hz					CSA-UL	
			CSA-UL					GA 400 575V 60Hz CSA-UL	
			GA 400 575V 60Hz CSA-UL					GA 450 400V 50Hz IEC	
			GA 450 400V 50Hz IEC					GA 450 500V 50Hz IEC	
			GA 450 500V 50Hz IEC					GA 450 380V 60Hz IEC	
			GA 450 380V 60Hz IEC					GA 450 440-460V 60Hz IEC	
			GA 450 440-460V 60Hz IEC					GA 450 440-460V 60Hz	
			GA 450 440-460V 60Hz					CSA-UL	
			CSA-UL					GA 450 575V 60Hz CSA-UL	
			GA 450 575V 60Hz CSA-UL					GA 500 400V 50Hz IEC	
			GA 500 400V 50Hz IEC					GA 500 500V 50Hz IEC	
			GA 500 500V 50Hz IEC					GA 500 440-460 V 60 Hz	
			GA 500 440-460 V 60 Hz					CSA-UL	
			CSA-UL					GA 500 575 V 60 Hz	
			GA 500 575 V 60 Hz					CSA-UL	
			CSA-UL		1050	1621 4823 00	1	Wiring	
1030	1088 1001 01	4	Warning mark					GA 315 400V 50Hz IEC	
			GA 315 400V 50Hz IEC					GA 315 500V 50Hz IEC	
			GA 315 500V 50Hz IEC					GA 355 380V 60Hz IEC	

12



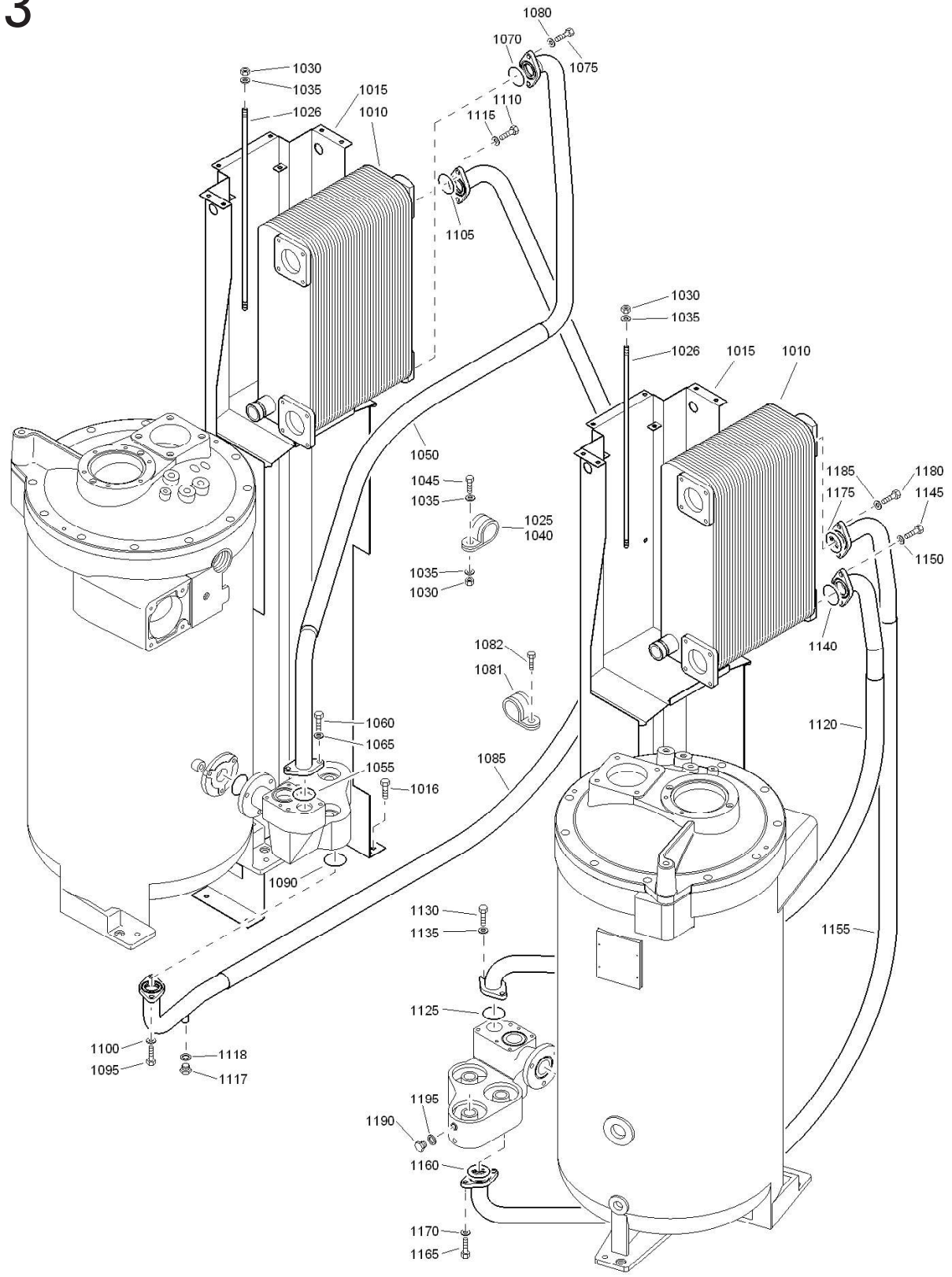
73804

Coolers - GA (A) - Fan and cooling duct plates

12

Ref.	Partnumber	Qty	Name	Remarks	Ref.	Partnumber	Qty	Name	Remarks
			GA 355 400V 50Hz IEC					GA 450 380V 60Hz IEC	
			GA 355 440-460V 60Hz IEC					GA 450 440-460V 60Hz IEC	
			GA 355 440-460V 60Hz					GA 450 440-460V 60Hz	
			CSA-UL					CSA-UL	
			GA 355 500V 50Hz IEC					GA 450 575V 60Hz CSA-UL	
			GA 355 575V 60Hz CSA-UL					GA 500 400V 50Hz IEC	
			GA 400 400V 50Hz IEC					GA 500 500V 50Hz IEC	
			GA 400 500V 50Hz IEC					GA 500 440-460V 60 Hz	
			GA 400 380V 60Hz IEC					CSA-UL	
			GA 400 440-460V 60Hz IEC					GA 500 575V 60Hz CSA-UL	
			GA 400 440-460V 60Hz		1060	1621482400	1	Wiring	
			CSA-UL					GA 450 400V 50Hz IEC	
			GA 400 575V 60Hz CSA-UL					GA 450 380V 60Hz IEC	
			GA 450 400V 50Hz IEC		1070	0017231711	AR	Cable	
			GA 450 500V 50Hz IEC						

13



73805

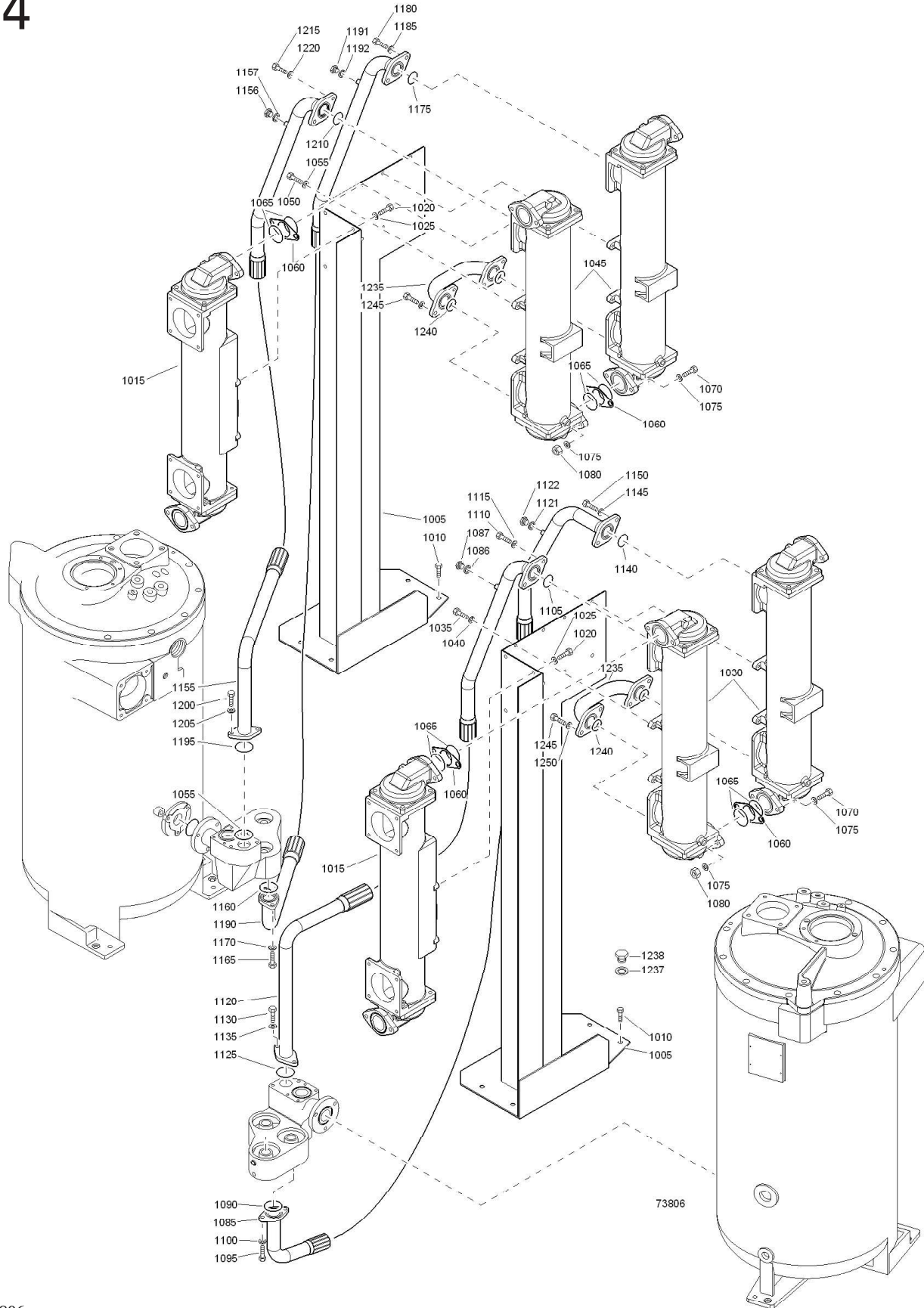
73805

Coolers - GA (W) - Plate cooler

13

Ref.	Partnumber	Qty	Name	Remarks	Ref.	Partnumber	Qty	Name	Remarks
1010	1621 1491 00	2	Cooler		1115	0301 2344 00	2	Washer	
1015	1621 1492 00	2	Support		1117		1	Plug	
1016	1619 2766 00	16	Bolt			0686 3716 01		Without Energy RECOVERY	
1025	1619 2861 05	4	Clamp			0686 3716 02		Energy RECOVERY	
1026	0248 9980 65	4	Threaded rod		1118	0661 1000 25	1	Seal washer	
1030	0291 1128 20	8	Nut		1120	1621 1494 00	1	Hose assembly	
1035	0301 2344 00	8	Washer		1125	0663 2109 68	1	O-ring	
1045	1079 1472 06	4	Bolt		1130	0147 1363 03	2	Bolt	
1050	1621 1441 00	1	Hose assembly		1135	0301 2344 00	2	Washer	
1055	0663 2109 68	1	O-ring		1140	0663 2109 68	1	O-ring	
1060	0147 1363 03	2	Bolt		1145	0147 1362 03	2	Bolt	
1065	0301 2344 00	2	Washer		1150	0301 2344 00	2	Washer	
1070	0663 2109 68	1	O-ring		1155	1621 1495 00	1	Hose assembly	
1075	0147 1362 03	2	Bolt		1160	0663 2109 68	1	O-ring	
1080	0301 2344 00	2	Washer		1165	0147 1363 03	2	Bolt	
1081	1619 2861 01	1	Clamp		1170	0301 2344 00	2	Washer	
1082	1079 1472 06	1	Bolt		1175	0663 2109 68	1	O-ring	
1085	1621 1493 00	1	Hose assembly		1180	0147 1362 03	2	Bolt	
1090	0663 2109 68	1	O-ring		1185	0301 2344 00	2	Washer	
1095	0147 1363 03	2	Bolt		1190		4	Plug	
1100	0301 2344 00	2	Washer			0686 3716 01		Without Energy RECOVERY	
1105	0663 2109 68	1	O-ring		1195		4	Seal washer	
1110	0147 1362 03	2	Bolt			0661 1000 25		Without Energy RECOVERY	

14



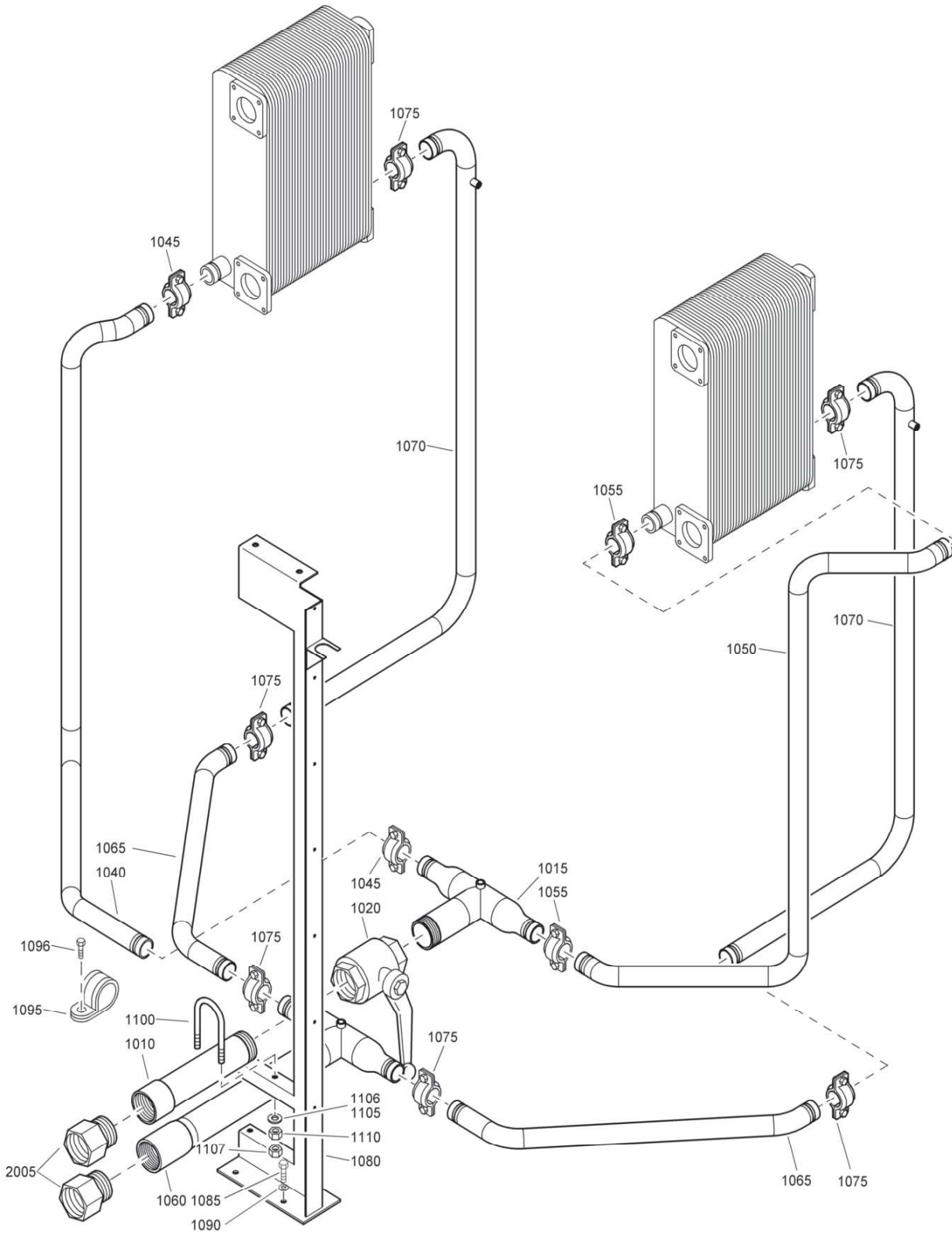
73806

Coolers - GA (W) - Tube cooler

14

Ref.	Part number	Qty	Name	Remarks	Ref.	Part number	Qty	Name	Remarks
1005	1621 2692 00	2	Support		1130	0147 1363 03	2	Bolt	
1010	1619 5337 01	16	Bolt		1135	0301 2344 00	2	Washer	
1015	1621 2677 08	2	Aftercooler		1140	0663 2106 11	1	O-ring	
1020	0147 1362 03	8	Bolt		1145	0147 1402 03	2	Bolt	
1025	0301 2344 00	8	Washer		1150	0301 2358 00	2	Washer	
1030	1614 8664 08	2	Oil cooler		1155	1621 2680 00	1	Hose assembly	
1035	0147 1362 03	8	Bolt		1156	0686 3716 01	1	Plug	
1040	0301 2344 00	8	Washer		1157	0653 1062 00	1	Flat gasket	
1045	1614 8665 08	2	Oil cooler		1160	0663 2109 68	1	O-ring	
1050	0147 1362 03	8	Bolt		1165	0147 1362 03	2	Bolt	
1055	0301 2344 00	8	Washer		1170	0301 2344 00	2	Washer	
1060	1614 6632 00	4	Plate		1175	0663 2106 11	1	O-ring	
1065	0663 2106 12	8	O-ring		1180	0147 1402 03	2	Bolt	
1070	0147 1407 03	8	Bolt		1185	0301 2358 00	2	Washer	
1075	0301 2358 00	16	Washer		1190	1621 2681 00	1	Hose assembly	
1080	0266 2112 00	8	Nut		1191	0686 3716 01	1	Plug	
1085	1621 2678 00	1	Hose assembly		1192	0653 1062 00	1	Flat gasket	
1086	0686 3716 01	1	Plug		1195	0663 2109 68	1	O-ring	
1087	0653 1062 00	1	Flat gasket		1200	0147 1363 03	2	Bolt	
1090	0663 2109 68	1	O-ring		1205	0301 2344 00	2	Washer	
1095	0147 1363 03	2	Bolt		1210	0663 2106 11	1	O-ring	
1100	0301 2344 00	2	Washer		1215	0147 1402 03	2	Bolt	
1105	0663 2106 11	1	O-ring		1220	0301 2358 00	2	Washer	
1110	0147 1402 03	2	Bolt		1235	1614 6634 00	2	Pipe	
1115	0301 2358 00	2	Washer		1237	0661 1000 27	1	Seal washer	
1120	1621 2679 00	1	Hose assembly		1238	0686 3716 02	1	Plug	
1121	0686 3716 01	1	Plug		1240	0663 2106 11	4	O-ring	
1122	0653 1062 00	1	Flat gasket		1245	0147 1402 03	8	Bolt	
1125	0663 2109 68	1	O-ring		1250	0301 2358 00	8	Washer	

15



72898

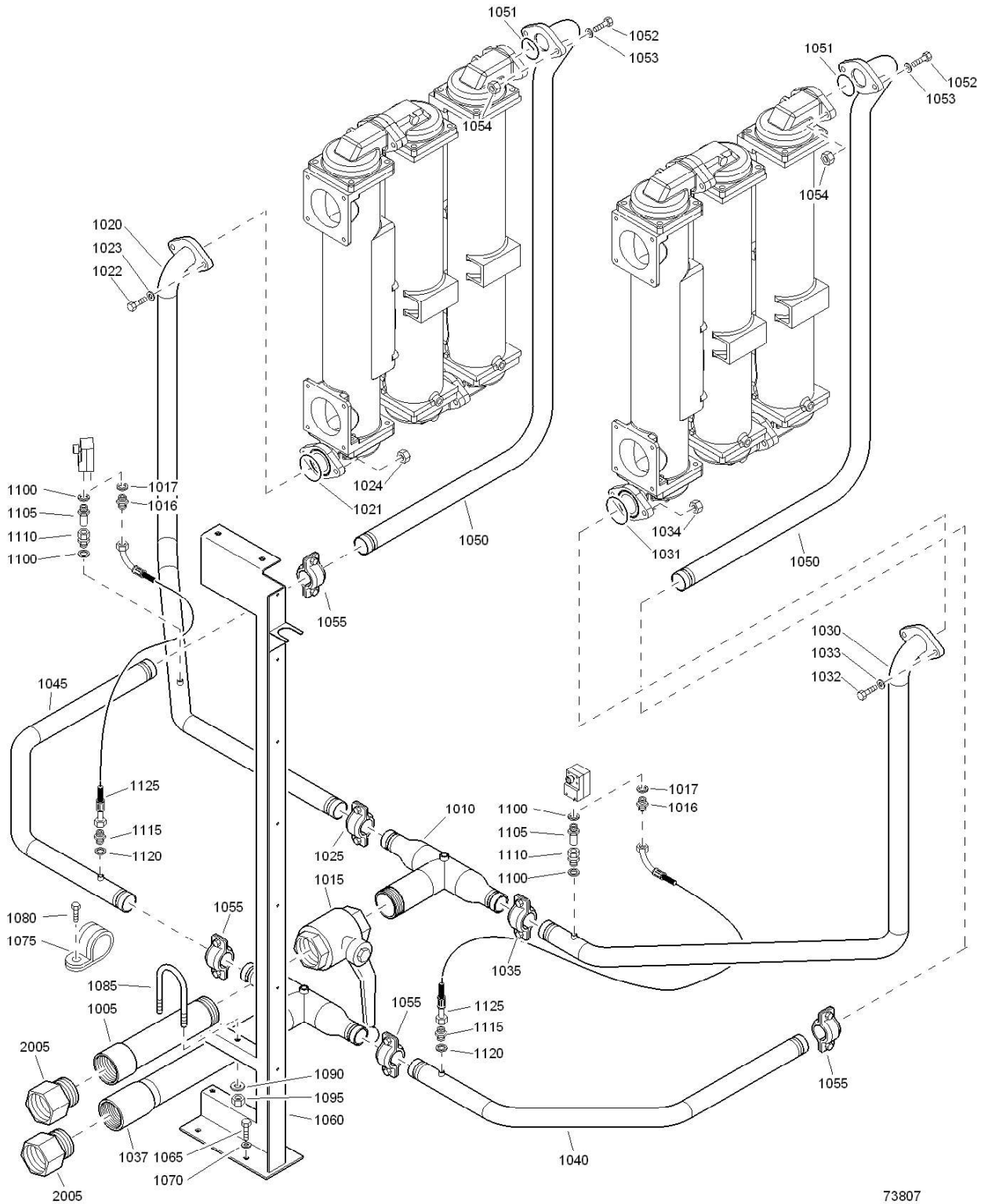
72898

Water System - Plate Coolers

15

Ref.	Partnumber	Qty	Name	Remarks	Ref.	Partnumber	Qty	Name	Remarks
			Water cooled		1080	1621 2107 00	1	Support	
			Without Tube Cooler		1085	0147 1364 03	4	Bolt	
1010	1621 2100 00	1	Pipe		1090	0301 2344 00	4	Washer	
1015	1621 2101 00	1	Pipe		1095	1619 2861 01	2	Clamp	
1020	1619 6153 10	1	Ball valve		1096	1079 1472 06	4	Bolt	
1040	1621 4238 00	1	Pipe		1100	0346 2900 23	4	U-bolt	
1045	0634 1000 27	2	Victaulic coupling		1105	0301 2344 00	8	Washer	
1050	1621 2666 00	1	Pipe		1106	0301 2335 00	4	Plain washer	
1055	0634 1000 27	2	Victaulic coupling		1107	0291 1128 18	4	Lock nut	
1060	1621 2104 00	1	Pipe		1110	0266 2111 00	16	Nut	
1065	1621 2105 00	2	Pipe					Water cooled	
1070	1621 2106 00	2	Pipe					ANSI flanges	
1075	0634 1000 27	6	Victaulic coupling		2005	0605 8350 29	2	Bushing	

16



73807

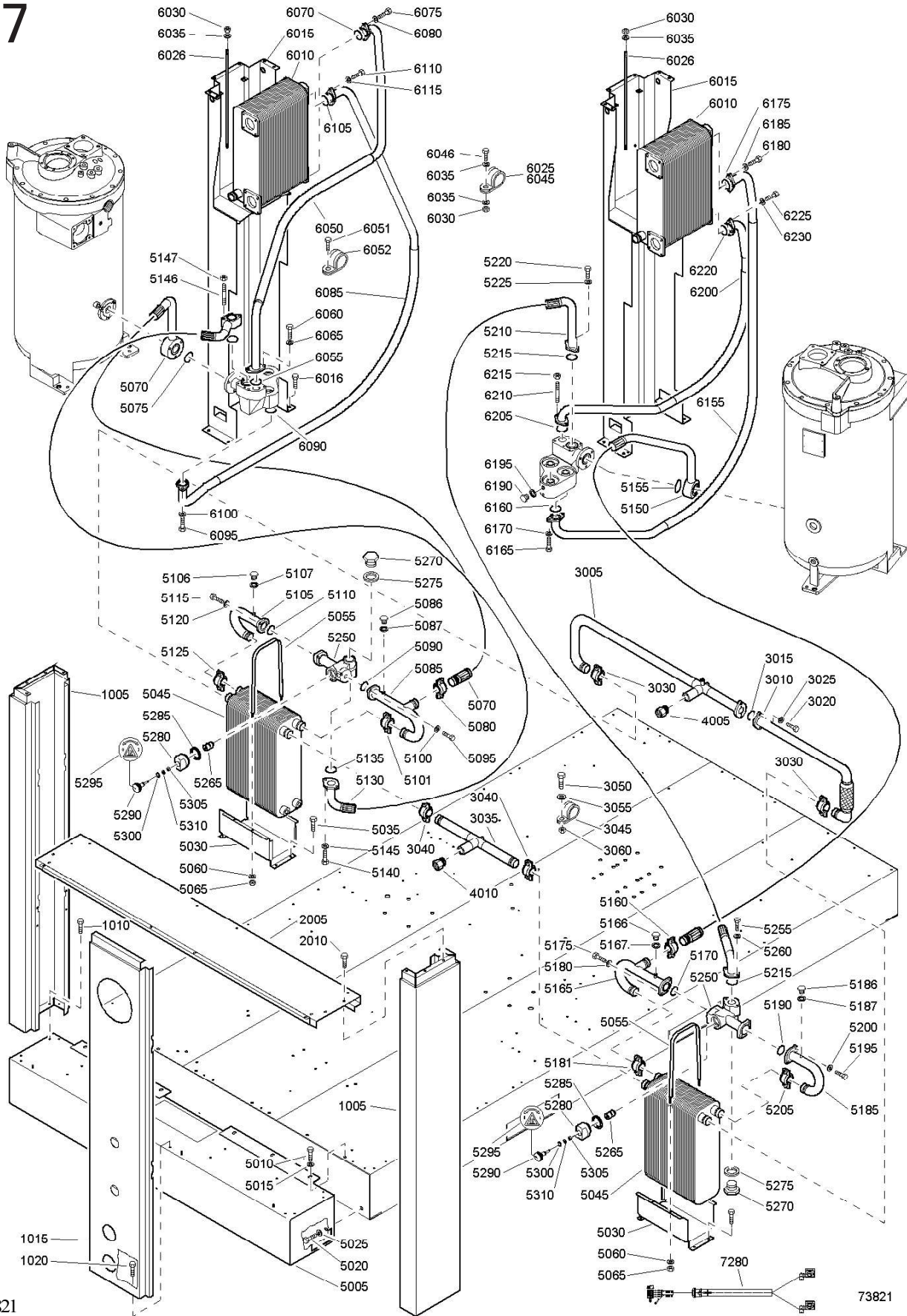
73807

Water System - Tube Coolers

16

Ref.	Part number	Qty	Name	Remarks	Ref.	Part number	Qty	Name	Remarks
			GA 315		1040	1621 2691 00	1	Pipe	
			GA 355		1045	1621 2690 00	1	Pipe	
			GA 400		1050	1621 2685 00	2	Pipe	
			GA 450		1051	0663 2106 12	2	O-ring	
			GA 500		1052	0147 1407 03	4	Bolt	
			With Tube Coolers		1053	0301 2358 00	8	Washer	
1005	1621 2100 00	1	Pipe		1054	0266 2112 00	8	Nut	
1010	1621 2101 00	1	Pipe		1055	0634 1000 27	4	Victaulic coupling	
1015	1619 6153 10	1	Ball valve		1060	1621 2107 00	1	Support	
1016	1079 5840 01	2	Nipple		1065	0147 1364 03	4	Bolt	
1017	0653 1046 00	2	Flat gasket		1070	0301 2344 00	4	Washer	
1020	1621 2687 00	1	Pipe		1075	1619 2861 01	2	Clamp	
1021	0663 2106 12	1	O-ring		1080	1079 1472 06	4	Bolt	
1022	0147 1407 03	2	Bolt		1085	0346 2900 23	4	U-bolt	
1023	0301 2358 00	4	Washer		1090	0301 2335 00	4	Plain washer	
1024	0266 2112 00	2	Nut		1095	0266 2110 00	4	Hexagon nut	
1025	0634 1000 27	1	Victaulic coupling		1100	0653 1046 00	4	Flat gasket	
1030	1621 2689 00	1	Pipe		1105	1615 3624 00	2	Nozzle	
1031	0663 2106 12	1	O-ring		1110	0581 0025 01	2	Pipe coupling	
1032	0147 1407 03	2	Bolt		1115	1619 5205 00	2	Nipple	
1033	0301 2358 00	4	Washer		1120	0653 1062 00	2	Flat gasket	
1034	0266 2112 00	2	Nut		1125	0574 8231 16	2	Hose assembly	
1035	0634 1000 27	1	Victaulic coupling					ANSI flanges	
1037	1621 2104 00	1	Pipe		2005	0605 8350 29	2	Bushing	

17



73821

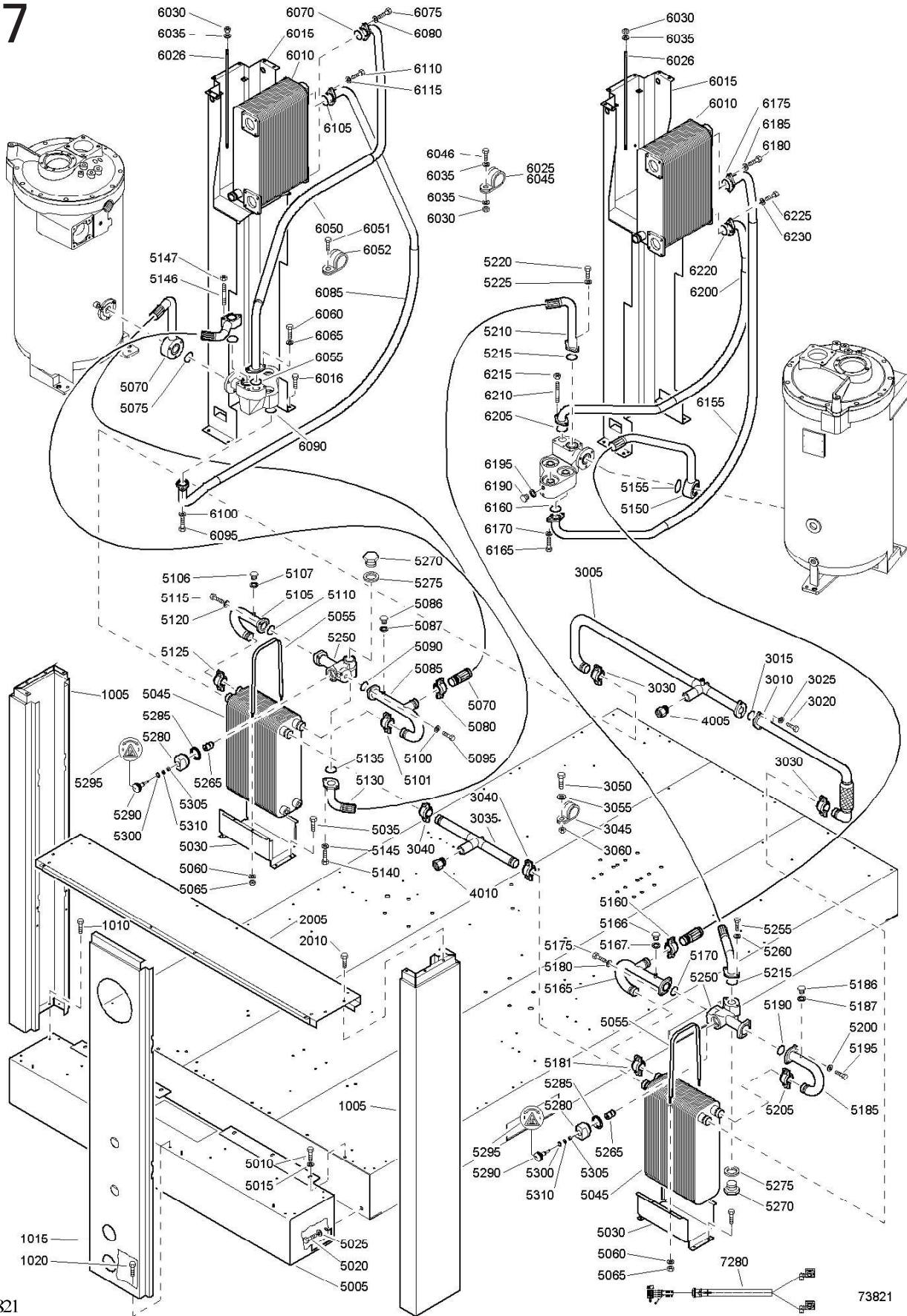
73821

ENergy REcovery

17

Ref.	Part number	Qty	Name	Remarks	Ref.	Part number	Qty	Name	Remarks
1005	1621 1487 80	2	Stay		5087	0661 1000 25	1	Seal washer	
		• 1	Stay		5090	0663 2109 68	1	O-ring	
1010	1079 1472 06	8	Bolt		5095	0147 1362 03	2	Bolt	
1015	1621 2137 80	1	Stay		5100	0301 2344 00	2	Washer	
		• 1	Stay		5101	0634 1000 28	1	Victaulic	
	1079 9913 79	• 2	Inform.label		5105	1621 2461 00	1	Pipe	
	1079 9913 69	• 2	Inform.label		5106	0686 3716 01	1	Plug	
1020	1079 1472 06	4	Bolt		5107	0661 1000 25	1	Seal washer	
2005	1621 1485 80	1	Roofs	1)	5110	0663 2108 00	1	O-ring	
2010	1079 1472 06	6	Bolt		5115	0147 1402 03	2	Bolt	
3005	1621 2583 00	1	Pipe		5120	0301 2358 00	2	Washer	
3010	1621 2110 00	1	Pipe		5125	0634 1000 28	1	Victaulic	
3015	0663 2109 68	1	O-ring		5130	1621 2176 00	1	Hose assembly	
3020	0147 1400 03	2	Bolt		5135	0663 2108 00	2	O-ring	
3025	0301 2358 00	2	Washer		5140	0147 1362 03	2	Bolt	
3030	0634 1000 27	2	Victaulic coupling		5145	0301 2344 00	2	Washer	
3035	1621 2109 00	1	Pipe		5146	0246 1956 36	2	Stud	
3040	0634 1000 27	2	Victaulic coupling		5147	0266 2111 00	2	Nut	
3045	1619 2861 01	2	Clamp		5150	1621 2175 00	1	Hose assembly	
3050	0147 1325 03	2	Bolt		5155	0663 2107 77	1	O-ring	
3055	0301 2335 00	2	Plain washer		5160	0634 1000 28	1	Victaulic	
3060	0266 2110 00	2	Hexagon nut		5165	1621 2458 00	1	Pipe	
			ANSI flanges		5166	0686 3716 01	1	Plug	
4005	0605 8350 29	1	Bushing		5167	0661 1000 25	1	Seal washer	
4010	0605 8350 40	1	Bushing		5170	0663 2109 68	1	O-ring	
5005	1621 2457 00	1	Frame		5175	0147 1362 03	2	Bolt	
5010	0147 1401 03	6	Bolt		5180	0301 2344 00	2	Washer	
5015	0301 2358 00	6	Washer		5181	0634 1000 28	1	Victaulic	
5020	0147 1475 03	4	Bolt		5185	1621 2460 00	1	Pipe	
5025	0301 2378 00	4	Washer		5186	0686 3716 01	1	Plug	
5030	1621 0470 00	2	Support		5187	0661 1000 25	1	Seal washer	
5035	1619 2766 00	8	Bolt		5190	0663 2108 00	1	O-ring	
5045	1621 2582 00	2	Cooler		5195	0147 1402 03	2	Bolt	
5055	1621 0471 00	4	Bracket		5200	0301 2358 00	2	Washer	
5060	0301 2335 00	8	Plain washer		5205	0634 1000 28	1	Victaulic	
5065	0291 1128 18	8	Lock nut		5210	1621 2174 00	1	Hose assembly	
5070	1621 2177 00	1	Hose assembly		5215	0663 2108 00	1	O-ring	
5075	0663 2107 77	1	O-ring		5220	0147 1362 03	2	Bolt	
5080	0634 1000 28	1	Victaulic		5225	0301 2344 00	2	Washer	
5085	1621 2459 00	1	Pipe		5250	1614 6028 00	2	Therm. valv.hsng	
5086	0686 3716 01	1	Plug		5255	0147 1363 03	4	Bolt	

17



73821

73821

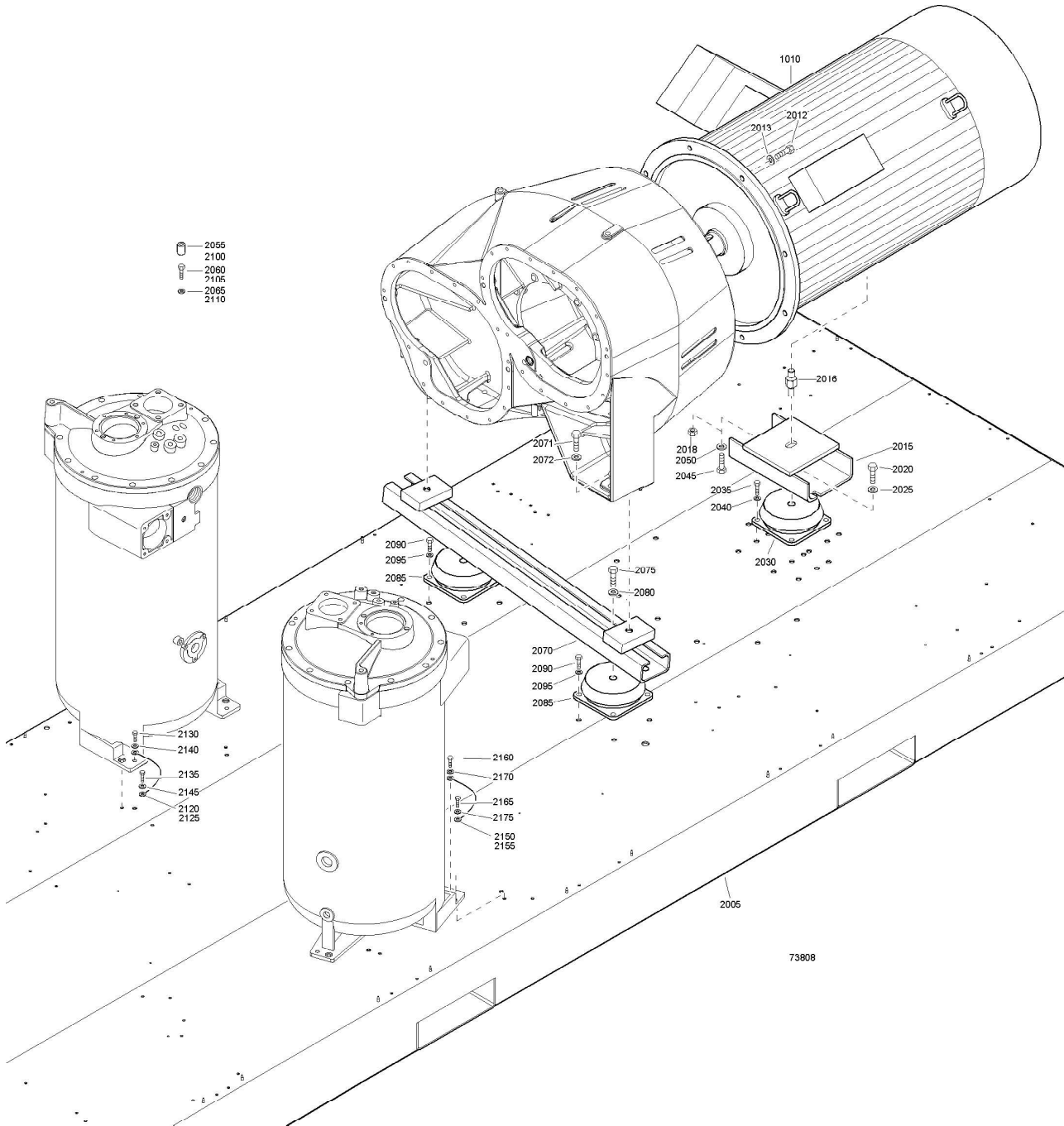
ENergy REcovery

17

Ref.	Partnumber	Qty	Name	Remarks	Ref.	Partnumber	Qty	Name	Remarks
5260	0301 2344 00	4	Washer		6095	0147 1363 03	2	Bolt	
5265	1619 7560 00	2	Thermost.valve		6100	0301 2344 00	2	Washer	
5270	0686 3716 07	2	Plug		6105	0663 2109 68	1	O-ring	
5275	0661 1000 30	2	Seal washer		6110	0147 1362 03	2	Bolt	
5280	1621 0483 00	2	Plug		6115	0301 2344 00	2	Washer	
5285	0661 1000 33	2	Seal washer		6155	1621 1495 00	1	Hose assembly	
5290	1621 0482 00	2	Regulator		6160	0663 2109 68	1	O-ring	
5295	1621 0603 00	2	Label		6165	0147 1363 03	2	Bolt	
5300	0663 2109 73	2	O-ring		6170	0301 2344 00	2	Washer	
5305	0266 2108 00	2	Nut		6175	0663 2109 68	1	O-ring	
5310	0301 2321 00	2	Washer		6180	0147 1362 03	2	Bolt	
6010	1621 1491 00	2	Cooler		6185	0301 2344 00	2	Washer	
6015	1621 1492 00	2	Support		6190	0686 3716 02	4	Plug	
6016	1619 2766 00	16	Bolt		6195	0661 1000 27	4	Seal washer	
6025	1619 2861 05	4	Clamp		6200	1621 2173 00	1	Hose assembly	
6026	0248 9980 65	4	Threaded rod		6205	0663 2109 68	1	O-ring	
6030	0291 1128 20	8	Nut		6210	0246 1956 36	2	Stud	
6035	0301 2344 00	12	Washer		6215	0266 2111 00	2	Nut	
6045	1619 2861 05	4	Clamp		6220	0663 2109 68	1	O-ring	
6046	1079 1472 06	4	Bolt		6225	0147 1362 03	2	Bolt	
6050	1621 1441 00	1	Hose assembly		6230	0301 2344 00	2	Washer	
6051	1619 2861 01	1	Clamp		7280	1621 2356 00	1	Wire harness	
6052	1079 1472 06	1	Bolt						
6055	0663 2109 68	1	O-ring						
6060	0147 1363 03	2	Bolt						
6065	0301 2344 00	2	Washer						
6070	0663 2109 68	1	O-ring						
6075	0147 1362 03	2	Bolt						
6080	0301 2344 00	2	Washer						
6085	1621 1493 00	1	Hose assembly						
6090	0663 2109 68	1	O-ring						

1) Lined with / Bekleed met / Beklädd med / Ausgekleidet mit / Garnir de / Rivestido de / Allineato con / Foret med / Revestido com / Kledd med / Vuorattu :
1) Foam : 0395 6001 69 (AR) 50 x 2040 x 1650 self-adhesive

18



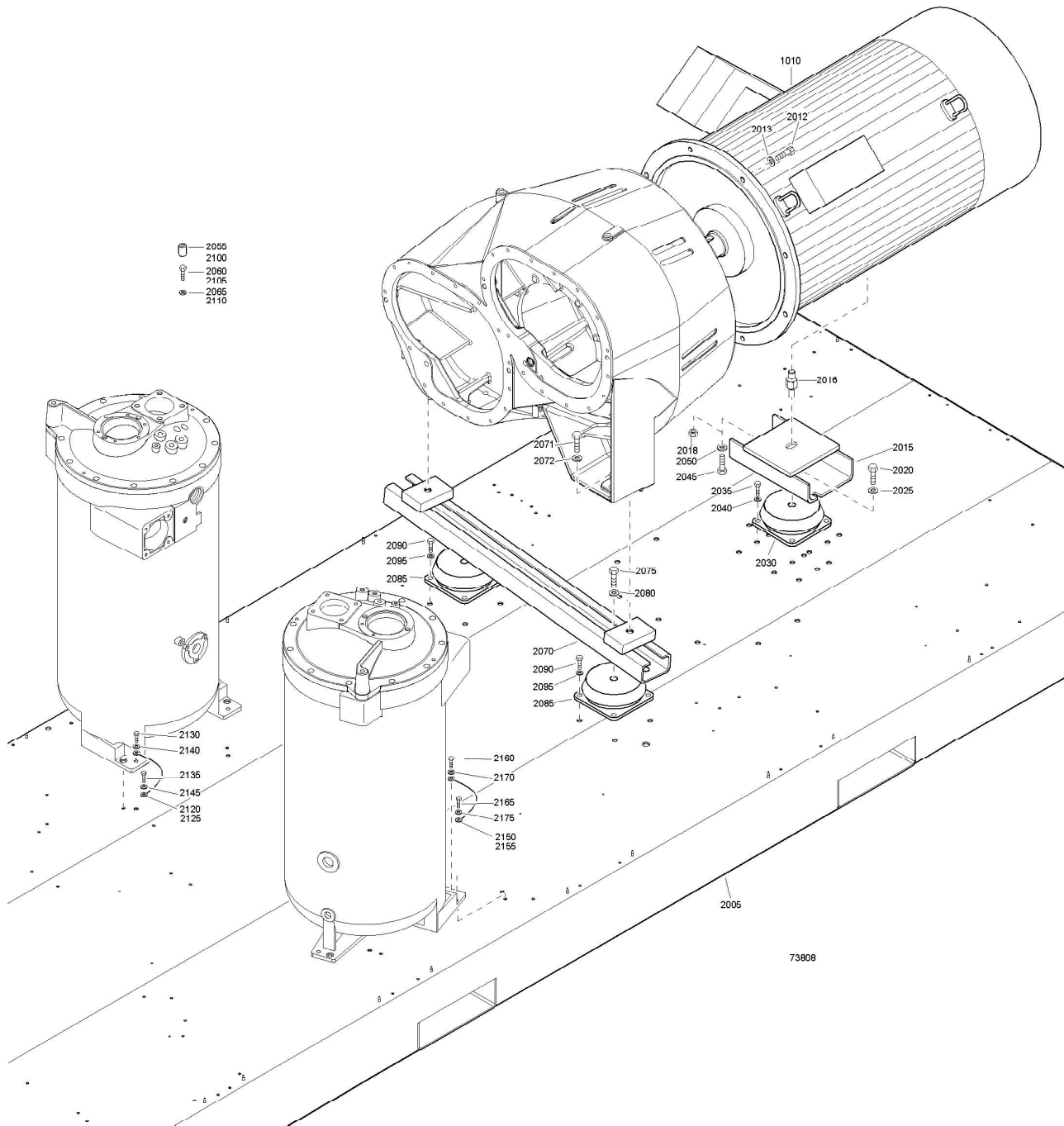
73808

Frame & Motor GA 315 (A)

18

Ref.	Partnumber	Qty	Name	Remarks	Ref.	Partnumber	Qty	Name	Remarks
			3 kV 50 Hz (3 ph)		2100	1621 1449 00	2	Spacer	
			IEC IP 55 MV		2105	0147 1646 03	2	Bolt	
1010	1080 2955 61		Motor		2110	0301 2405 00	2	Washer	
			3.3 Kv 50 Hz (3 ph)		2120	0017 2071 00	2	Cable	
			IEC IP 55 MV		2125	1088 0010 25	2	Cable lug	
1010	1080 2955 62		Motor		2130	0147 1360 03	1	Bolt	
			6 Kv 50 Hz (3 ph)		2135	0147 1360 03	1	Bolt	
			IEC IP 55 MV		2140	0333 3232 00	1	Lock washer	
1010	1080 2955 65		Motor		2145	0333 3232 00	1	Lock washer	
			6.6 kV 50 Hz (3 ph)		2150	0017 2071 00	2	Cable	
			IEC IP 55 MV		2155	1088 0010 25	2	Cable lug	
1010	1080 2955 66		Motor		2160	0147 1360 03	1	Bolt	
			3 kV 50 Hz (3 ph)		2165	0147 1360 03	1	Bolt	
			IEC IP 23		2170	0333 3232 00	1	Lock washer	
1010	1080 4077 01		Motor		2175	0333 3232 00	1	Lock washer	
			3.3 kV 50 Hz (3 ph)					Weg motor	
			IEC IP 23		2005	1621 4733 80	1	Frame	
1010	1080 4077 02		Motor			1621 4733 00	• 1	Frame	
			6 kV 50 Hz (3 ph)			1614 9851 00	• 2	Pin	
			IEC IP 23		2012	0147 1555 03	8	Bolt	
1010	1080 4077 05		Motor		2013	0300 0274 13	8	Washer	
			6.6 kV 50 Hz (3 ph)		2015	1621 1451 00	1	Support	
			IEC IP 23		2020	0147 1630 03	1	Bolt	
1010	1080 4077 06		Motor		2025	0301 2405 00	1	Washer	
			400 V 50 Hz (3 ph)		2030	1614 6366 03	1	Antivibr.pad	
			ABB_M3BP IEC		2035	0147 1475 03	4	Bolt	
1010	1623 8118 01		Motor		2040	0301 2378 00	4	Washer	
			500 V 50 Hz (3 ph)		2045	0147 1962 86	1	Bolt	
			ABB_M3BP IEC		2050	0301 2434 00	1	Washer	
1010	1623 8118 02		Motor		2055	1621 1449 00	2	Spacer	
			400 V 50 Hz (3 ph)		2060	0147 1495 03	2	Bolt	
			ABB_M3BP IEC		2065	0301 2378 00	2	Washer	
1010	1623 8118 11		Motor		2070	1623 7174 00	1	Support	
			500 V 50 Hz (3 ph)		2071	0147 1632 03	2	Bolt	
			ABB_M3BP IEC		2072	0301 2405 00	2	Washer	
1010	1623 8118 12		Motor		2075	0147 1630 03	2	Bolt	
			Frame		2080	0301 2405 00	2	Washer	
			GA 315		2085	1614 6366 03	2	Antivibr.pad	
			Air cooled		2090	0147 1475 03	8	Bolt	
			Siemens motor		2095	0301 2378 00	8	Washer	
2005	1621 4733 80	1	Frame		2100	1621 1449 00	2	Spacer	
	1621 4733 00	• 1	Frame		2105	0147 1646 03	2	Bolt	
	1614 9851 00	• 2	Pin		2110	0301 2405 00	2	Washer	
2012	0147 1555 03	8	Bolt		2120	0017 2071 00	2	Cable	
2013	0300 0274 13	8	Washer		2125	1088 0010 25	2	Cable lug	
2015	1621 1450 00	1	Support		2130	0147 1360 03	1	Bolt	
2020	0147 1630 03	1	Bolt		2135	0147 1360 03	1	Bolt	
2025	0301 2405 00	1	Washer		2140	0333 3232 00	1	Lock washer	
2030	1614 6366 03	1	Antivibr.pad		2145	0333 3232 00	1	Lock washer	
2035	0147 1475 03	4	Bolt		2150	0017 2071 00	2	Cable	
2040	0301 2378 00	4	Washer		2155	1088 0010 25	2	Cable lug	
2045	0147 1962 86	1	Bolt		2160	0147 1360 03	1	Bolt	
2050	0301 2434 00	1	Washer		2165	0147 1360 03	1	Bolt	
2055	1621 1449 00	2	Spacer		2170	0333 3232 00	1	Lock washer	
2060	0147 1495 03	2	Bolt		2175	0333 3232 00	1	Lock washer	
2065	0301 2378 00	2	Washer					ABB_M3BP	
2070	1623 7174 00	1	Support		2005	1621 1447 80	1	Frame	
2071	0147 1632 03	2	Bolt			1621 1447 00	• 1	Frame	
2072	0301 2405 00	2	Washer			1614 9851 00	• 2	Pin	
2075	0147 1630 03	2	Bolt		2012	0147 1555 03	8	Bolt	
2080	0301 2405 00	2	Washer		2013	0300 0274 13	8	Washer	
2085	1614 6366 03	2	Antivibr.pad		2015	1621 1448 00	1	Support	
2090	0147 1475 03	8	Bolt		2016	1623 8878 00	1	Stud	
2095	0301 2378 00	8	Washer		2018	0266 2118 00	1	Nut	

18



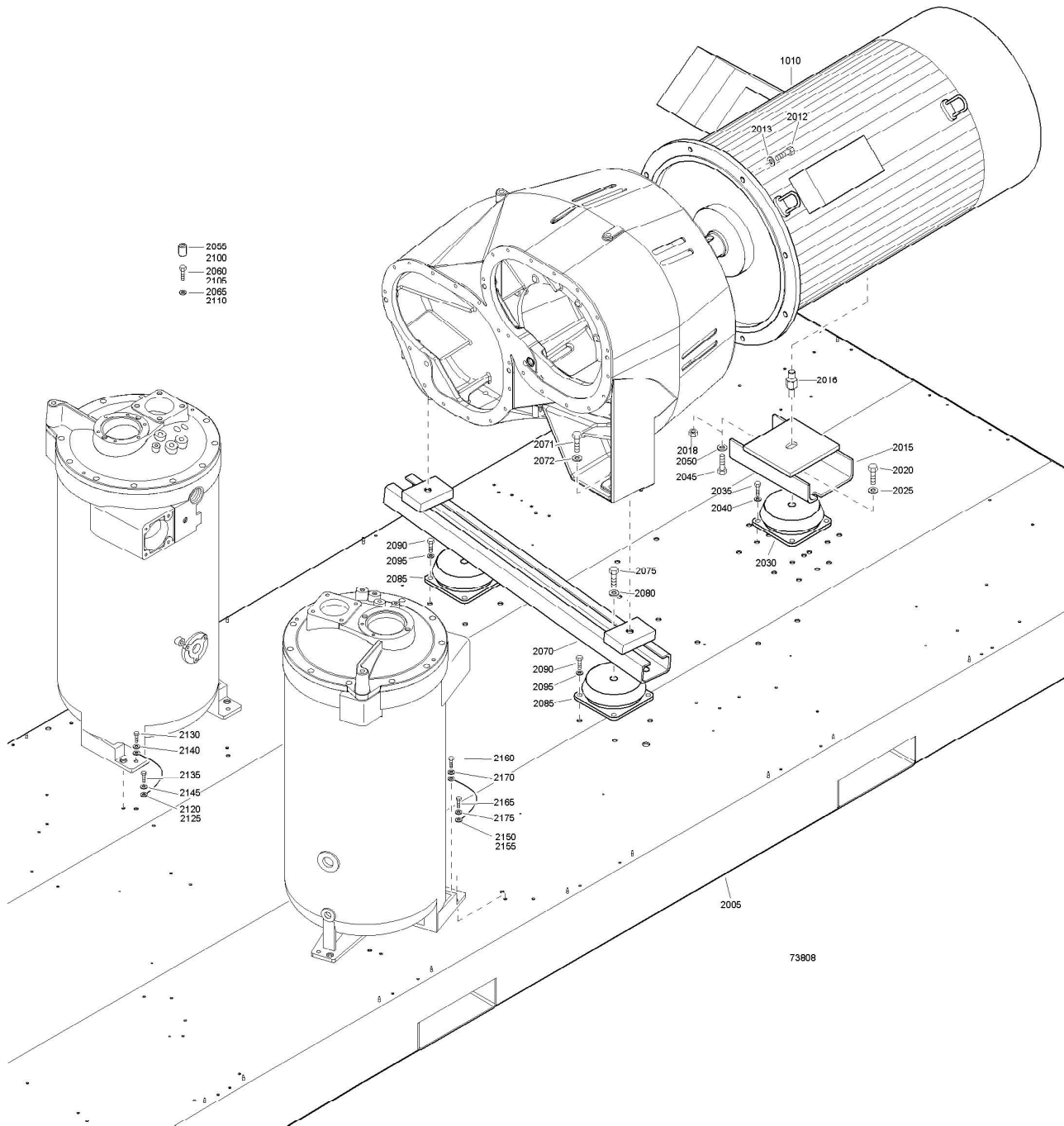
73808

Frame & Motor GA 315 (A)

18

Ref.	Part number	Qty	Name	Remarks	Ref.	Part number	Qty	Name	Remarks
2030	1614 6366 03	1	Antivibr.pad		2170	0333 3232 00	1	Lock washer	
2035	0147 1475 03	4	Bolt		2175	0333 3232 00	1	Lock washer	
2040	0301 2378 00	4	Washer					Without main motor	
2045	0147 1630 03	1	Bolt		2005	1621 4733 80	1	Frame	
2050	0301 2405 00	1	Washer			1621 4733 00	• 1	Frame	
2055	1621 1449 00	2	Spacer			1614 9851 00	• 2	Pin	
2060	0147 1495 03	2	Bolt		2070	1623 7174 00	1	Support	
2065	0301 2378 00	2	Washer		2071	0147 1632 03	2	Bolt	
2070	1623 7174 00	1	Support		2072	0301 2405 00	2	Washer	
2071	0147 1632 03	2	Bolt		2075	0147 1630 03	2	Bolt	
2072	0301 2405 00	2	Washer		2080	0301 2405 00	2	Washer	
2075	0147 1630 03	2	Bolt		2085	1614 6366 03	2	Antivibr.pad	
2080	0301 2405 00	2	Washer		2090	0147 1475 03	8	Bolt	
2085	1614 6366 03	2	Antivibr.pad		2095	0301 2378 00	8	Washer	
2090	0147 1475 03	8	Bolt		2100	1621 1449 00	2	Spacer	
2095	0301 2378 00	8	Washer		2105	0147 1646 03	2	Bolt	
2100	1621 1449 00	2	Spacer		2110	0301 2405 00	2	Washer	
2105	0147 1646 03	2	Bolt		2120	0017 2071 00	2	Cable	
2110	0301 2405 00	2	Washer		2125	1088 0010 25	2	Cable lug	
2120	0017 2071 00	2	Cable		2130	0147 1360 03	1	Bolt	
2125	1088 0010 25	2	Cable lug		2135	0147 1360 03	1	Bolt	
2130	0147 1360 03	1	Bolt		2140	0333 3232 00	1	Lock washer	
2135	0147 1360 03	1	Bolt		2145	0333 3232 00	1	Lock washer	
2140	0333 3232 00	2	Lock washer		2150	0017 2071 00	2	Cable	
2145	0333 3232 00	2	Lock washer		2155	1088 0010 25	2	Cable lug	
2150	0017 2071 00	2	Cable		2160	0147 1360 03	1	Bolt	
2155	1088 0010 25	2	Cable lug		2165	0147 1360 03	1	Bolt	
2160	0147 1360 03	1	Bolt		2170	0333 3232 00	1	Lock washer	
2165	0147 1360 03	1	Bolt		2175	0333 3232 00	1	Lock washer	

19



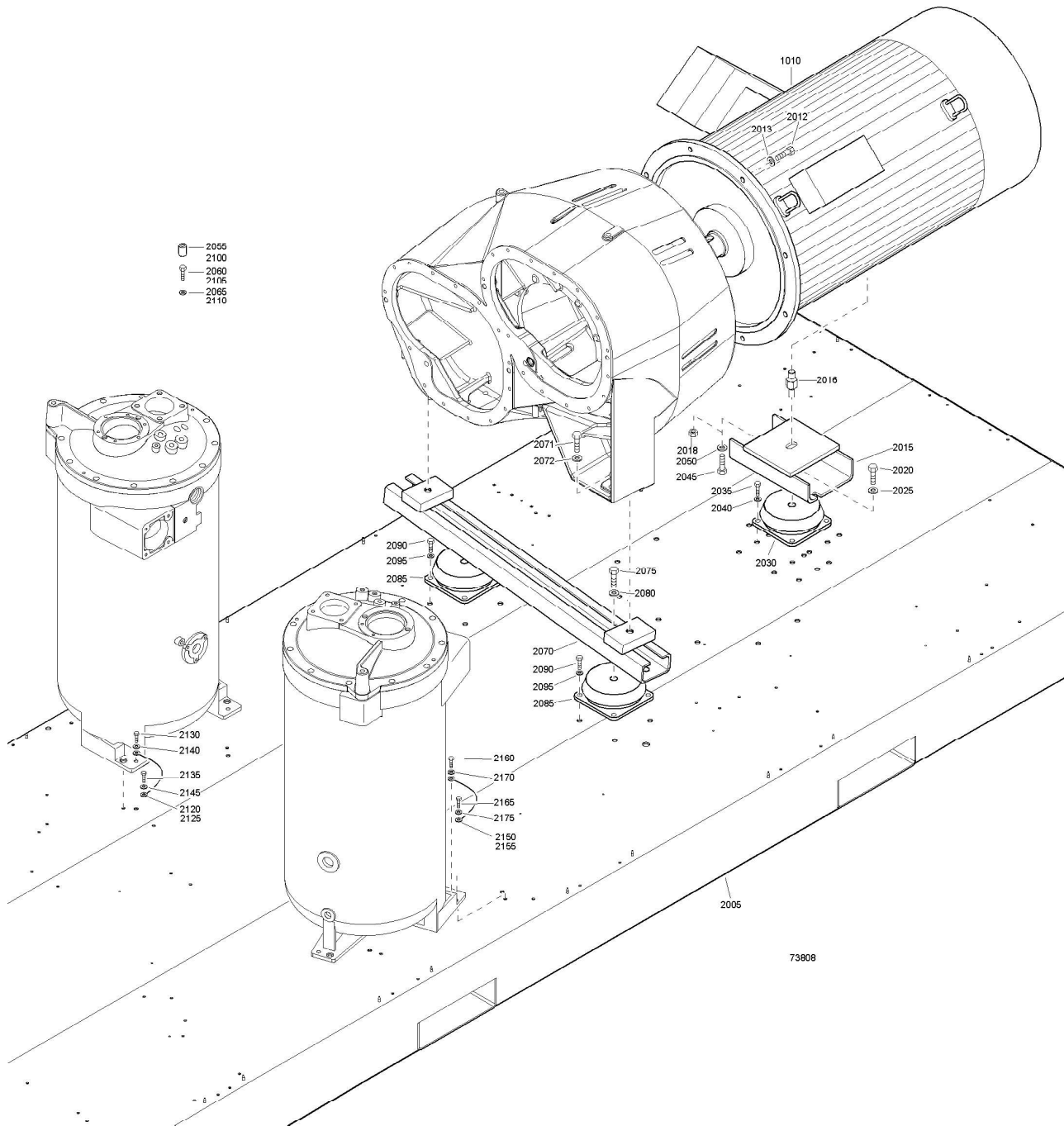
73808

Frame & Motor GA 355 (A)

19

Ref.	Part number	Qty	Name	Remarks	Ref.	Part number	Qty	Name	Remarks
1010	1080 2929 71		3 kV 50 Hz(3 ph) IEC IP 55 MV Motor					1000s in the windings and bearings Weg motor IEC	
1010	1080 2929 72		3.3 kV 50 Hz(3 ph) IEC IP 55 MV Motor		1010	1080 4199 02		Motor 575 V 60 Hz(3 ph) Weg motor CSA-UL	
1010	1080 2929 75		6 kV 50 Hz(3 ph) IEC IP 55 MV Motor		1010	1080 4199 04		Motor 400 V 50 Hz(3 ph) ABB M3BP IEC	
1010	1080 2929 76		6.6 kV 50 Hz(3 ph) IEC IP 55 MV Motor		1010	1623 8118 03		Motor 500 V 50 Hz(3 ph) ABB M3BP IEC	
1010	1080 2955 71		2.3 kV 60 Hz(3 ph) CSA-UL IP 55 MV Motor		1010	1623 8118 04		Motor 380V 60 Hz(3 ph) ABB M3BP IEC	
1010	1080 2955 72		3 kV 60 Hz (3 ph) CSA-UL IP 55 MV Motor		1010	1623 8118 05		Motor 400 V 50 Hz(3 ph) ABB M3BP IEC With PT	
1010	1080 2955 73		3.3kV 60 Hz (3 ph) CSA-UL IP 55 MV Motor		1010	1623 8118 13		1000s in the windings and bearings Anti-condensation heaters	
1010	1080 2955 74		4.16 kV 60 Hz(3 ph) CSA-UL IP 55 MV Motor		1010	1623 8118 14		Motor 500 V 50 Hz(3 ph) ABB M3BP IEC With PT	
1010	1080 2955 75		6kV 60 Hz(3 ph) IEC IP 55 MV Motor		1010	1623 8118 15		1000s in the windings and bearings Anti-condensation heaters	
1010	1080 2955 76		6.6 kV 60 Hz(3 ph) IEC IP 55 MV Motor		1010	1623 8118 15		Motor 380 V 60 Hz(3 ph) ABB M3BP IEC With PT	
1010	1080 4077 11		3 kV 50 Hz(3 ph) IEC IP 23 Motor		2005	1621 4733 80	1	Frame	
1010	1080 4077 12		3.3 kV 50 Hz(3 ph) IEC IP 23 Motor			1621 4733 00	• 1	Frame	
1010	1080 4077 15		6 kV 50 Hz(3 ph) IEC IP 23 Motor			1614 9851 00	• 2	Pin	
1010	1080 4077 16		6.6 kV 50 Hz(3 ph) IEC IP 23 Motor		2012	0147 1555 03	8	Bolt	
1010	1080 4077 31		2.3 kV 60 Hz (3 ph) CSA-UL IP 23 Motor		2013	0300 0274 13	8	Washer	
1010	1080 4077 32		3 kV 60 Hz (3 ph) CSA-UL IP 23 Motor		2015	1621 1450 00	1	Support	
1010	1080 4077 33		3.3 kV 60 Hz (3 ph) CSA-UL IP 23 Motor		2020	0147 1630 03	1	Bolt	
1010	1080 4077 34		4.16 kV 60 Hz (3 ph) CSA-UL IP 23 Motor		2025	0301 2405 00	1	Washer	
1010	1080 4077 35		6 kV 60 Hz(3 ph) IEC IP 23 Motor		2030	1614 6366 03	1	Antivibr.pad	
1010	1080 4077 36		6.6 kV 60 Hz (3 ph) IEC IP 23 Motor		2035	0147 1475 03	4	Bolt	
1010	1080 4077 37		440-460 V 60 Hz(3 ph) Weg motor CSA-UL Weg motor IEC With PT		2040	0301 2378 00	4	Washer	
					2045	0147 1962 86	1	Bolt	
					2050	0301 2434 00	1	Washer	
					2055	1621 1449 00	2	Spacer	
					2060	0147 1495 03	2	Bolt	
					2065	0301 2378 00	2	Washer	
					2070	1623 7174 00	1	Support	
					2071	0147 1632 03	2	Bolt	
					2072	0301 2405 00	2	Washer	
					2075	0147 1630 03	2	Bolt	
					2080	0301 2405 00	2	Washer	
					2085	1614 6366 03	2	Antivibr.pad	
					2090	0147 1475 03	8	Bolt	
					2095	0301 2378 00	8	Washer	
					2100	1621 1449 00	2	Spacer	

19



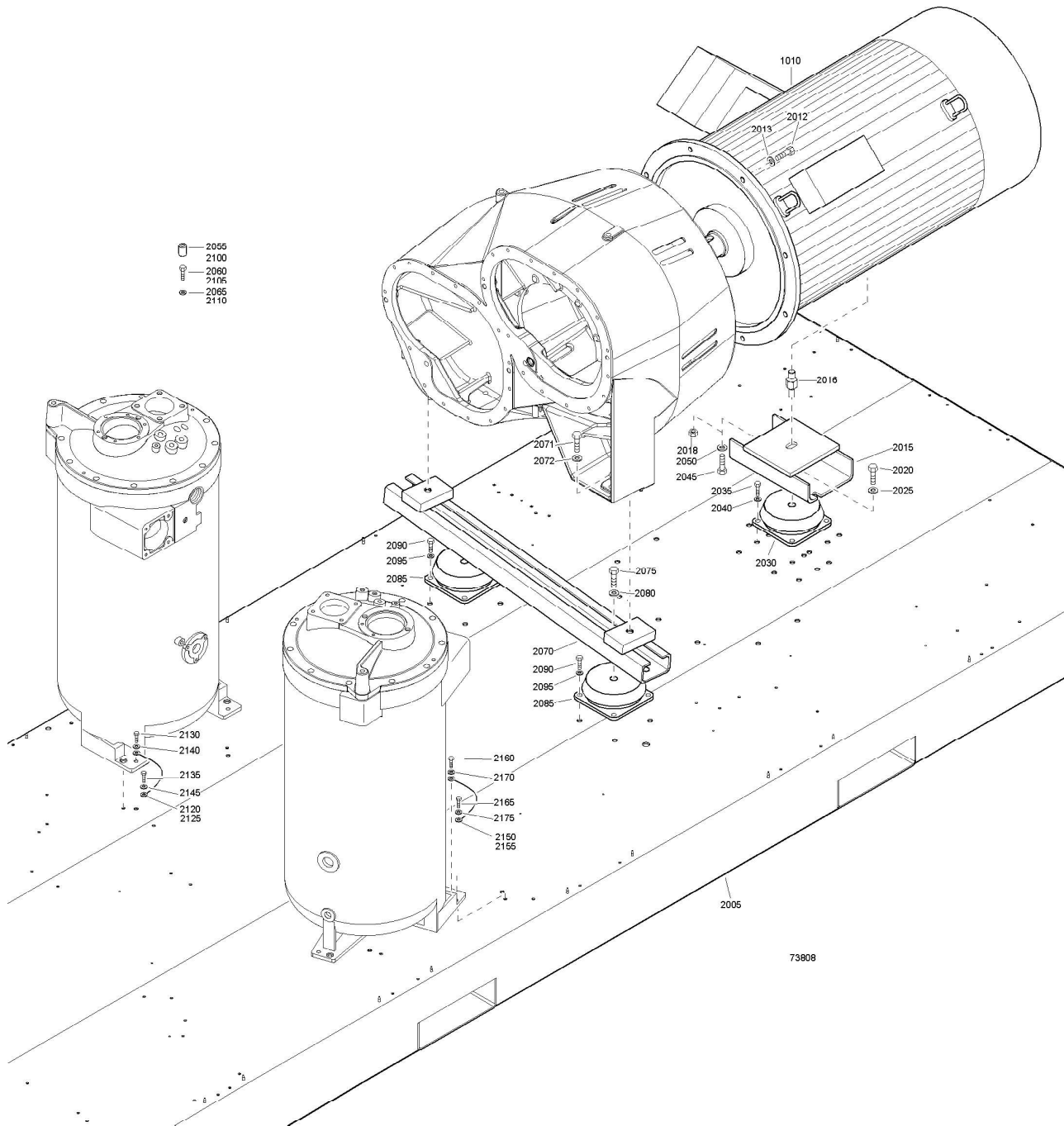
73808

Frame & Motor GA 355 (A)

19

Ref.	Part number	Qty	Name	Remarks	Ref.	Part number	Qty	Name	Remarks
2105	0147 1646 03	2	Bolt		2015	1621 1448 00	1	Support	
2110	0301 2405 00	2	Washer		2016	1623 8878 00	1	Stud	
2120	0017 2071 00	2	Cable		2018	0266 2118 00	1	Nut	
2125	1088 0010 25	2	Cable lug		2030	1614 6366 03	1	Antivibr.pad	
2130	0147 1360 03	1	Bolt		2035	0147 1475 03	4	Bolt	
2135	0147 1360 03	1	Bolt		2040	0301 2378 00	4	Washer	
2140	0333 3232 00	1	Lock washer		2045	0147 1630 03	1	Bolt	
2145	0333 3232 00	1	Lock washer		2050	0301 2405 00	1	Washer	
2150	0017 2071 00	2	Cable		2055	1621 1449 00	2	Spacer	
2155	1088 0010 25	2	Cable lug		2060	0147 1495 03	2	Bolt	
2160	0147 1360 03	1	Bolt		2065	0301 2378 00	2	Washer	
2165	0147 1360 03	1	Bolt		2070	1623 7174 00	1	Support	
2170	0333 3232 00	1	Lock washer		2071	0147 1632 03	2	Bolt	
2175	0333 3232 00	1	Lock washer		2072	0301 2405 00	2	Washer	
			Weg motor		2075	0147 1630 03	2	Bolt	
			50 Hz Siemens motor IP 55		2080	0301 2405 00	2	Washer	
			MV		2085	1614 6366 03	2	Antivibr.pad	
2005	1621 4733 80	1	Frame		2090	0147 1475 03	8	Bolt	
	1621 4733 00	• 1	Frame		2095	0301 2378 00	8	Washer	
	1614 9851 00	• 2	Pin		2100	1621 1449 00	2	Spacer	
2012	0147 1555 03	8	Bolt		2105	0147 1646 03	2	Bolt	
2013	0300 0274 13	8	Washer		2110	0301 2405 00	2	Washer	
2015	1621 1451 00	1	Support		2120	0017 2071 00	2	Cable	
2020	0147 1630 03	1	Bolt		2125	1088 0010 25	2	Cable lug	
2025	0301 2405 00	1	Washer		2130	0147 1360 03	1	Bolt	
2030	1614 6366 03	1	Antivibr.pad		2135	0147 1360 03	1	Bolt	
2035	0147 1475 03	4	Bolt		2140	0333 3232 00	1	Lock washer	
2040	0301 2378 00	4	Washer		2145	0333 3232 00	1	Lock washer	
2045	0147 1962 86	1	Bolt		2150	0017 2071 00	2	Cable	
2050	0301 2434 00	1	Washer		2155	1088 0010 25	2	Cable lug	
2055	1621 1449 00	2	Spacer		2160	0147 1360 03	1	Bolt	
2060	0147 1495 03	2	Bolt		2165	0147 1360 03	1	Bolt	
2065	0301 2378 00	2	Washer		2170	0333 3232 00	1	Lock washer	
2070	1623 7174 00	1	Support		2175	0333 3232 00	1	Lock washer	
2071	0147 1632 03	2	Bolt					Without main motor	
2072	0301 2405 00	2	Washer		2005	1621 4733 80	1	Frame	
2075	0147 1630 03	2	Bolt			1621 4733 00	• 1	Frame	
2080	0301 2405 00	2	Washer			1614 9851 00	• 2	Pin	
2085	1614 6366 03	2	Antivibr.pad		2070	1623 7174 00	1	Support	
2090	0147 1475 03	8	Bolt		2071	0147 1632 03	2	Bolt	
2095	0301 2378 00	8	Washer		2072	0301 2405 00	2	Washer	
2100	1621 1449 00	2	Spacer		2075	0147 1630 03	2	Bolt	
2105	0147 1646 03	2	Bolt		2080	0301 2405 00	2	Washer	
2110	0301 2405 00	2	Washer		2085	1614 6366 03	2	Antivibr.pad	
2120	0017 2071 00	2	Cable		2090	0147 1475 03	8	Bolt	
2125	1088 0010 25	2	Cable lug		2095	0301 2378 00	8	Washer	
2130	0147 1360 03	1	Bolt		2100	1621 1449 00	2	Spacer	
2135	0147 1360 03	1	Bolt		2105	0147 1646 03	2	Bolt	
2140	0333 3232 00	1	Lock washer		2110	0301 2405 00	2	Washer	
2145	0333 3232 00	1	Lock washer		2120	0017 2071 00	2	Cable	
2150	0017 2071 00	2	Cable		2125	1088 0010 25	2	Cable lug	
2155	1088 0010 25	2	Cable lug		2130	0147 1360 03	1	Bolt	
2160	0147 1360 03	1	Bolt		2135	0147 1360 03	1	Bolt	
2165	0147 1360 03	1	Bolt		2140	0333 3232 00	1	Lock washer	
2170	0333 3232 00	1	Lock washer		2145	0333 3232 00	1	Lock washer	
2175	0333 3232 00	1	Lock washer		2150	0017 2071 00	2	Cable	
			ABB M3BP motor		2155	1088 0010 25	2	Cable lug	
2005	1621 4733 80	1	Frame		2160	0147 1360 03	1	Bolt	
	1621 4733 00	• 1	Frame		2165	0147 1360 03	1	Bolt	
	1614 9851 00	• 2	Pin		2170	0333 3232 00	1	Lock washer	
2012	0147 1555 03	8	Bolt		2175	0333 3232 00	1	Lock washer	
2013	0300 0274 13	8	Washer						

20



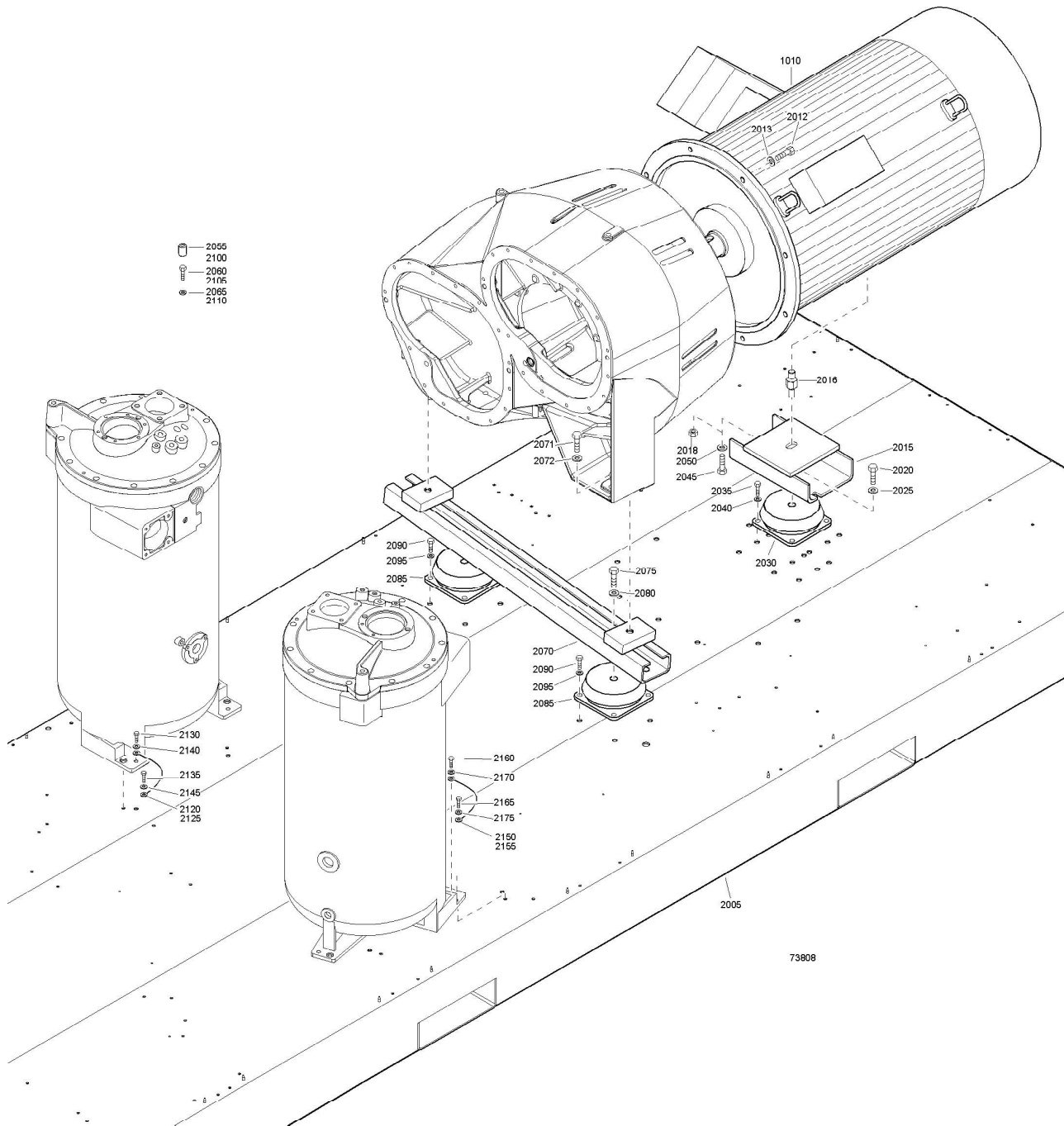
73808

Frame & Motor GA 400 (A)

20

Ref.	Partnumber	Qty	Name	Remarks	Ref.	Partnumber	Qty	Name	Remarks
1010	1080 2929 81		3 kV 50 Hz(3 ph) IEC IP 55 MV Motor					1000s in the windings and bearings Anti-condensation heaters	
1010	1080 2929 82		3.3 kV 50 Hz(3 ph) IEC IP 55 MV Motor		1010	1080 4199 12		Weg motor CSA-UL Motor	
1010	1080 2929 85		6 kV 50 Hz(3 ph) IEC IP 55 MV Motor		1010	1080 4199 14		575 V 60 Hz (3 ph) Weg motor CSA-UL Motor	
1010	1080 2929 86		6.6 kV 50 Hz(3 ph) IEC IP 55 MV Motor		1010	1623 8118 06		400 V 50 Hz (3 ph) ABB M3BP motor IEC Motor	
1010	1080 2929 91		2.3 kV 60 Hz(3 ph) CSA-UL IP 55 MV Motor		1010	1623 8118 07		500 V 50 Hz (3 ph) ABB M3BP motor IEC Motor	
1010	1080 2929 92		3 kV 60 Hz(3 ph) CSA-UL IP 55 MV Motor		1010	1623 8118 08		380 V 60 Hz (3 ph) ABB M3BP motor IEC Motor	
1010	1080 2929 93		3.3 kV 60 Hz(3 ph) CSA-UL IP 55 MV Motor		1010	1623 8118 16		400 V 50 Hz (3 ph) ABB M3BP motor IEC With PT 1000s in the windings and bearings Anti- condensation heaters	
1010	1080 2929 94		4.16 kV 60 Hz(3 ph) CSA-UL IP 55 MV Motor		1010	1623 8118 17		500 V 50 Hz(3 ph) ABB M3BP motor IEC With PT 1000s in the windings and bearings Anti- condensation heaters	
1010	1080 2929 95		6 kV 60 Hz(3 ph) IEC IP 55 MV Motor		1010	1623 8118 18		380 V 60 Hz (3 ph) ABB M3BP motor IEC With PT 1000s in the windings and bearings Anti- condensation heaters	
1010	1080 2929 96		6.6 kV 60 Hz(3 ph) IEC IP 55 MV Motor		1010	1621 4733 80	1	Motor	
1010	1080 4077 21		3 kV 50 Hz(3 ph) IEC IP 24 Motor			1621 4733 00	• 1	Frame	
1010	1080 4077 22		3.3 kV 50 Hz(3 ph) IEC IP 23 Motor			1614 9851 00	• 2	Pin	
1010	1080 4077 25		6 kV 50 Hz(3 ph) IEC IP 23 Motor		2012	0147 1555 03	8	Bolt	
1010	1080 4077 26		2.3 kV 60 Hz(3 ph) CSA-UL IP 24 Motor		2013	0300 0274 13	8	Washer	
1010	1080 4077 41		3 kV 60 Hz(3 ph) CSA-UL IP 24 Motor		2015	1621 1450 00	1	Support	
1010	1080 4077 42		3 kV 60 Hz(3 ph) CSA-UL IP 24 Motor		2020	0147 1630 03	1	Bolt	
1010	1080 4077 43		3.3 kV 60 Hz(3 ph) CSA-UL IP 24 Motor		2025	0301 2405 00	1	Washer	
1010	1080 4077 44		4.16 kV 60 Hz(3 ph) CSA-UL IP 24 Motor		2030	1614 6366 03	1	Antivibr.pad	
1010	1080 4077 45		6 kV 60 Hz(3 ph) IEC IP 24 Motor		2035	0147 1475 03	4	Bolt	
1010	1080 4077 46		6.6 kV 60 Hz(3 ph) IEC IP 24 Motor		2040	0301 2378 00	4	Washer	
			440-460 V 60 Hz (3 ph) Weg motor IEC Weg motor IEC With PT		2045	0147 1962 86	1	Bolt	
					2050	0301 2434 00	1	Washer	
					2055	1621 1449 00	2	Spacer	
					2060	0147 1495 03	2	Bolt	
					2065	0301 2378 00	2	Washer	
					2070	1623 7174 00	1	Support	
					2071	0147 1632 03	2	Bolt	
					2072	0301 2405 00	2	Washer	
					2075	0147 1630 03	2	Bolt	
					2080	0301 2405 00	2	Washer	
					2085	1614 6366 03	2	Antivibr.pad	
					2090	0147 1475 03	8	Bolt	
					2095	0301 2378 00	8	Washer	
					2100	1621 1449 00	2	Spacer	

20



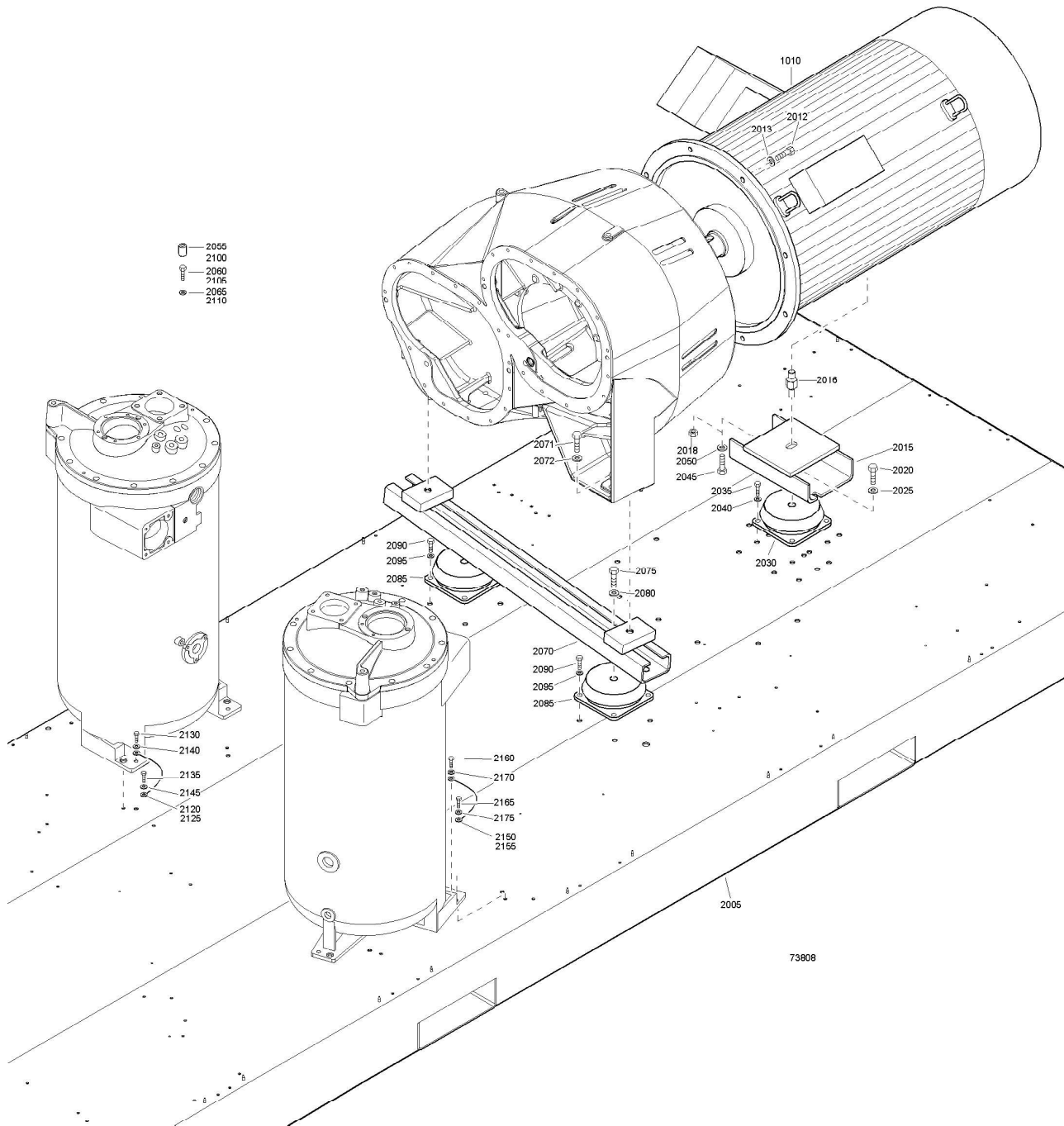
73808

Frame & Motor GA 400 (A)

20

Ref.	Partnumber	Qty	Name	Remarks	Ref.	Partnumber	Qty	Name	Remarks
2105	0147 1646 03	2	Bolt		2015	1621 1448 00	1	Support	
2110	0301 2405 00	2	Washer		2016	1623 8878 00	1	Stud	
2120	0017 2071 00	2	Cable		2018	0266 2118 00	1	Nut	
2125	1088 0010 25	2	Cable lug		2030	1614 6366 03	1	Antivibr.pad	
2130	0147 1360 03	1	Bolt		2035	0147 1475 03	4	Bolt	
2135	0147 1360 03	1	Bolt		2040	0301 2378 00	4	Washer	
2140	0333 3232 00	1	Lock washer		2045	0147 1630 03	1	Bolt	
2145	0333 3232 00	1	Lock washer		2050	0301 2405 00	1	Washer	
2150	0017 2071 00	2	Cable		2055	1621 1449 00	2	Spacer	
2155	1088 0010 25	2	Cable lug		2060	0147 1495 03	2	Bolt	
2160	0147 1360 03	1	Bolt		2065	0301 2378 00	2	Washer	
2165	0147 1360 03	1	Bolt		2070	1623 7174 00	1	Support	
2170	0333 3232 00	1	Lock washer		2071	0147 1632 03	2	Bolt	
2175	0333 3232 00	1	Lock washer		2072	0301 2405 00	2	Washer	
			Weg motor		2075	0147 1630 03	2	Bolt	
			Siemens motor IP 55 MV		2080	0301 2405 00	2	Washer	
2005	1621 4733 80	1	Frame		2085	1614 6366 03	2	Antivibr.pad	
	1621 4733 00	• 1	Frame		2090	0147 1475 03	8	Bolt	
	1614 9851 00	• 2	Pin		2095	0301 2378 00	8	Washer	
2012	0147 1555 03	8	Bolt		2100	1621 1449 00	2	Spacer	
2013	0300 0274 13	8	Washer		2105	0147 1646 03	2	Bolt	
2015	1621 1451 00	1	Support		2110	0301 2405 00	2	Washer	
2020	0147 1630 03	1	Bolt		2120	0017 2071 00	2	Cable	
2025	0301 2405 00	1	Washer		2125	1088 0010 25	2	Cable lug	
2030	1614 6366 03	1	Antivibr.pad		2130	0147 1360 03	1	Bolt	
2035	0147 1475 03	4	Bolt		2135	0147 1360 03	1	Bolt	
2040	0301 2378 00	4	Washer		2140	0333 3232 00	1	Lock washer	
2045	0147 1962 86	1	Bolt		2145	0333 3232 00	1	Lock washer	
2050	0301 2434 00	1	Washer		2150	0017 2071 00	2	Cable	
2055	1621 1449 00	2	Spacer		2155	1088 0010 25	2	Cable lug	
2060	0147 1495 03	2	Bolt		2160	0147 1360 03	1	Bolt	
2065	0301 2378 00	2	Washer		2165	0147 1360 03	1	Bolt	
2070	1623 7174 00	1	Support		2170	0333 3232 00	1	Lock washer	
2071	0147 1632 03	2	Bolt		2175	0333 3232 00	1	Lock washer	
2072	0301 2405 00	2	Washer					Without main motor	
2075	0147 1630 03	2	Bolt		2005	1621 4733 80	1	Frame	
2080	0301 2405 00	2	Washer			1621 4733 00	• 1	Frame	
2085	1614 6366 03	2	Antivibr.pad			1614 9851 00	• 2	Pin	
2090	0147 1475 03	8	Bolt		2070	1623 7174 00	1	Support	
2095	0301 2378 00	8	Washer		2071	0147 1632 03	2	Bolt	
2100	1621 1449 00	2	Spacer		2072	0301 2405 00	2	Washer	
2105	0147 1646 03	2	Bolt		2075	0147 1630 03	2	Bolt	
2110	0301 2405 00	2	Washer		2080	0301 2405 00	2	Washer	
2120	0017 2071 00	2	Cable		2085	1614 6366 03	2	Antivibr.pad	
2125	1088 0010 25	2	Cable lug		2090	0147 1475 03	8	Bolt	
2130	0147 1360 03	1	Bolt		2095	0301 2378 00	8	Washer	
2135	0147 1360 03	1	Bolt		2100	1621 1449 00	2	Spacer	
2140	0333 3232 00	1	Lock washer		2105	0147 1646 03	2	Bolt	
2145	0333 3232 00	1	Lock washer		2110	0301 2405 00	2	Washer	
2150	0017 2071 00	2	Cable		2120	0017 2071 00	2	Cable	
2155	1088 0010 25	2	Cable lug		2125	1088 0010 25	2	Cable lug	
2160	0147 1360 03	1	Bolt		2130	0147 1360 03	1	Bolt	
2165	0147 1360 03	1	Bolt		2135	0147 1360 03	1	Bolt	
2170	0333 3232 00	1	Lock washer		2140	0333 3232 00	1	Lock washer	
2175	0333 3232 00	1	Lock washer		2145	0333 3232 00	1	Lock washer	
			ABB_M3BP motor		2150	0017 2071 00	2	Cable	
2005	1621 4733 80	1	Frame		2155	1088 0010 25	2	Cable lug	
	1621 4733 00	• 1	Frame		2160	0147 1360 03	1	Bolt	
	1614 9851 00	• 2	Pin		2165	0147 1360 03	1	Bolt	
2012	0147 1555 03	8	Bolt		2170	0333 3232 00	1	Lock washer	
2013	0300 0274 13	8	Washer		2175	0333 3232 00	1	Lock washer	

21



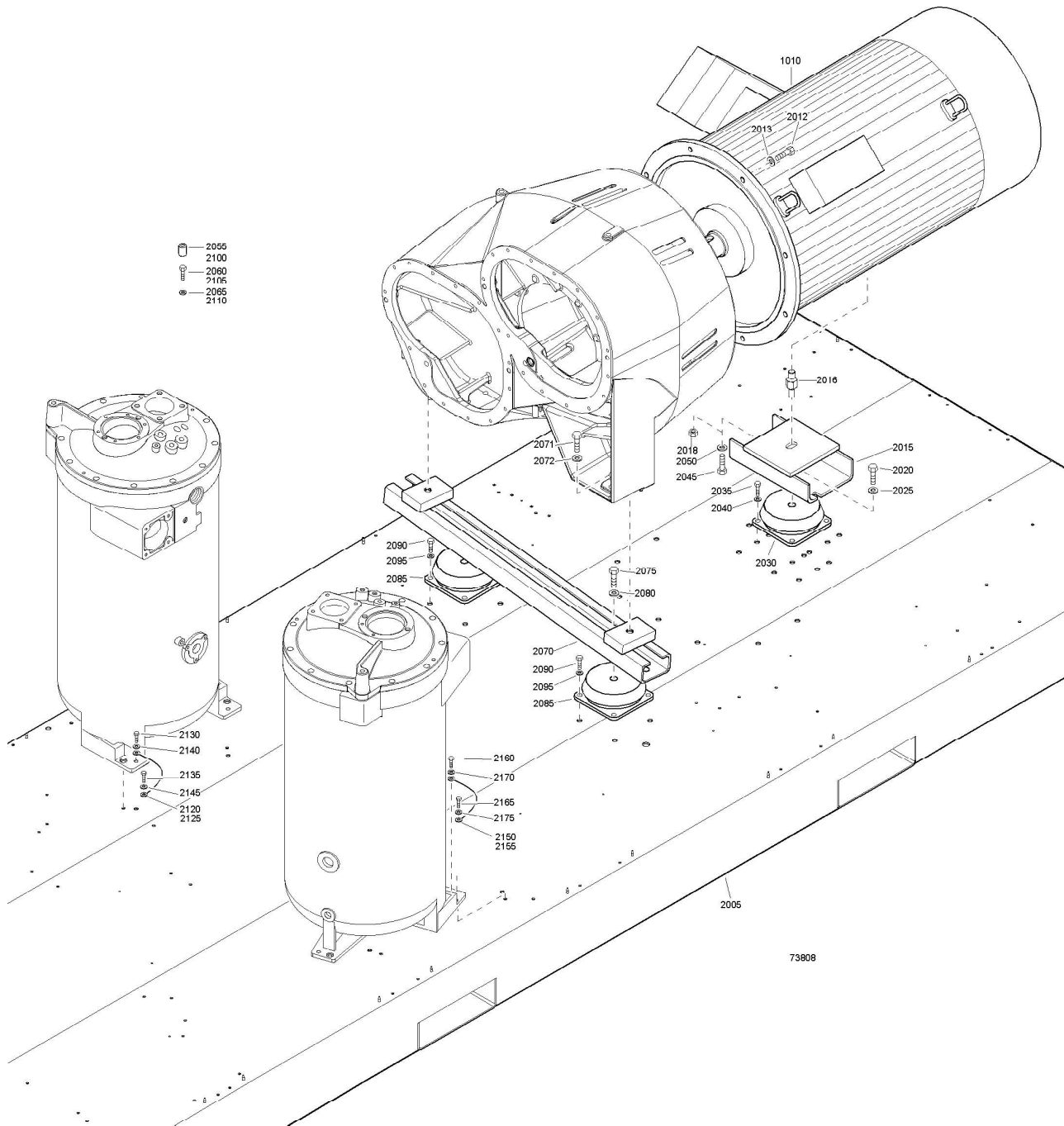
73808

Frame & Motor GA 450 (A)

21

Ref.	Part number	Qty	Name	Remarks	Ref.	Part number	Qty	Name	Remarks
1010	1080 2929 61		2.3 kV 60 Hz(3 ph) CSA-UL IP 55 MV Motor					1000s in the windings and bearings Anti-condensation heaters	
1010	1080 2929 62		3 kV 60 Hz(3 ph) CSA-UL IP 55 MV CSA-UL IP 55 MV Motor		1010	1080 4199 22		Weg motor CSA-UL Motor	
1010	1080 2929 63		3.3 kV 60 Hz(3 ph) CSA-UL IP 55 MV Motor		1010	1080 4199 24		575 V 60 Hz (3 ph) Weg motor CSA-UL Motor	
1010	1080 2929 64		4.16 kV 60 Hz(3 ph) CSA-UL IP 55 MV Motor		1010	1623 8118 21		400 V 50 Hz (3 ph) ABB_M3BP motor IEC Motor	
1010	1080 2929 65		6 kV 60 Hz(3 ph) IEC IP 55 MV Motor		1010	1623 8118 22		500 V 50 Hz(3 ph) ABB_M3BP motor IEC Motor	
1010	1080 2929 66		6.6 kV 60 Hz(3 ph) IEC IP 55 MV Motor		1010	1623 8118 31		400V 50 Hz(3 ph) ABB_M3BP motor IEC With PT 1000s in the windings and bearings Anti- condensation heaters Motor	
1010	1080 2930 51		3 kV 50 Hz(3 ph) IEC IP 55 MV Motor		1010	1623 8118 32		500 V 50 Hz(3 ph) ABB_M3BP motor IEC With PT 1000s in the windings and bearings Anti- condensation heaters Motor	
1010	1080 2930 52		3.3 kV 50 Hz(3 ph) IEC IP 55 MV Motor		1010	1623 8118 32		500 V 50 Hz(3 ph) ABB_M3BP motor IEC With PT 1000s in the windings and bearings Anti- condensation heaters Motor	
1010	1080 2930 55		6 kV 50 Hz(3 ph) IEC IP 55 MV Motor		2005	1621 4733 80	1	Frame	
1010	1080 2930 56		6.6 kV 50 Hz(3 ph) IEC IP 55 MV Motor				• 1	Frame	
1010	1080 2946 81		3 kV 50 Hz(3 ph) IEC IP 23 Motor			1614 9851 00	• 2	Pin	
1010	1080 2946 82		3.3 kV 50 Hz(3 ph) IEC IP 23 Motor		2012	0147 1555 03	8	Bolt	
1010	1080 2946 85		6 kV 50 Hz(3 ph) IEC IP 23 Motor		2013	0300 0274 13	8	Washer	
1010	1080 2946 86		6.6 kV 50 Hz(3 ph) IEC IP 23 Motor		2015	1621 1448 00	1	Support	
1010	1080 4077 51		2.3 kV 60 Hz(3 ph) CSA-UL IP 23 Motor		2016	1623 8878 00	1	Stud	
1010	1080 4077 52		3 kV 60 Hz (3 ph) CSA-UL IP 23 Motor		2018	0266 2118 00	1	Nut	
1010	1080 4077 53		3.3 kV 60 Hz (3 ph) CSA-UL IP 23 Motor		2030	1614 6366 03	1	Antivibr.pad	
1010	1080 4077 54		4.16 kV 60 Hz(3 ph) CSA-UL IP 23 Motor		2035	0147 1475 03	4	Bolt	
1010	1080 4077 55		6 kV 60 Hz(3 ph) CSA-UL IP 23 Motor		2040	0301 2378 00	4	Washer	
1010	1080 4077 56		6.6 kV 60 Hz(3 ph) IEC IP 23 Motor		2045	0147 1630 03	1	Bolt	
			440-460 V 60 Hz (3 ph) Weg motor IEC Weg motor IEC With PT		2050	0301 2405 00	1	Washer	
					2055	1621 1449 00	2	Spacer	
					2060	0147 1495 03	2	Bolt	
					2065	0301 2378 00	2	Washer	
					2070	1623 7174 00	1	Support	
					2071	0147 1632 03	2	Bolt	
					2072	0301 2405 00	2	Washer	
					2075	0147 1630 03	2	Bolt	
					2080	0301 2405 00	2	Washer	
					2085	1614 6366 03	2	Antivibr.pad	
					2090	0147 1475 03	8	Bolt	
					2095	0301 2378 00	8	Washer	
					2100	1621 1449 00	2	Spacer	
					2105	0147 1646 03	2	Bolt	
					2110	0301 2405 00	2	Washer	
					2120	0017 2071 00	2	Cable	
					2125	1088 0010 25	2	Cable lug	
					2130	0147 1360 03	1	Bolt	
					2135	0147 1360 03	1	Bolt	
					2140	0333 3232 00	1	Lock washer	
					2145	0333 3232 00	1	Lock washer	
					2150	0017 2071 00	2	Cable	
					2155	1088 0010 25	2	Cable lug	

21



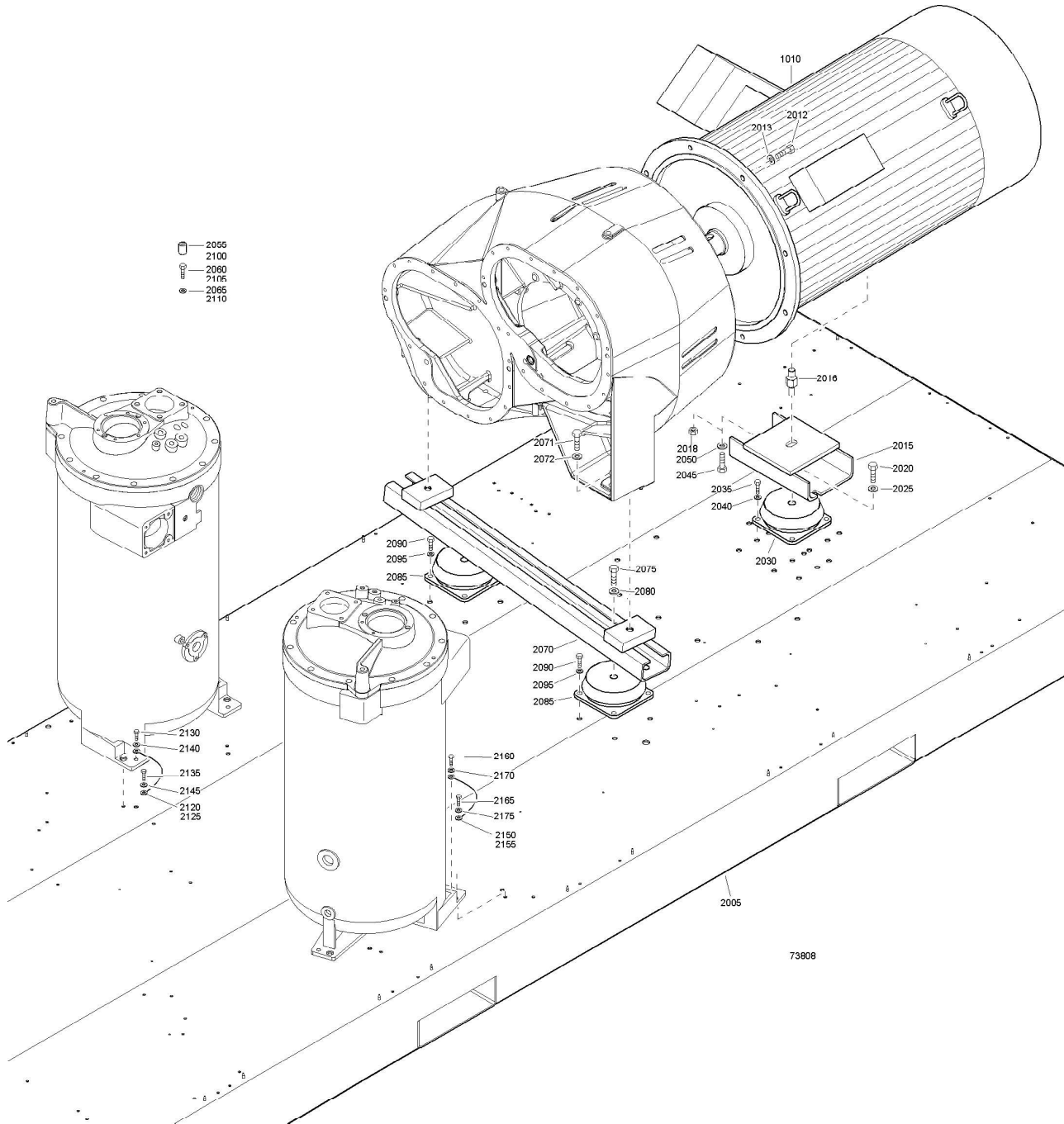
73808

Frame & Motor GA 450 (A)

21

Ref.	Part number	Qty	Name	Remarks	Ref.	Part number	Qty	Name	Remarks
2160	0147 1360 03	1	Bolt		2040	0301 2378 00	4	Washer	
2165	0147 1360 03	1	Bolt		2045	0147 1962 86	1	Bolt	
2170	0333 3232 00	1	Lock washer		2050	0301 2434 00	1	Washer	
2175	0333 3232 00	1	Lock washer		2055	1621 1449 00	2	Spacer	
				Siemens motor IP 23	2060	0147 1495 03	2	Bolt	
2005	1621 4733 80	1	Frame		2065	0301 2378 00	2	Washer	
		• 1	Frame		2070	1623 7174 00	1	Support	
	1614 9851 00	• 2	Pin		2071	0147 1632 03	2	Bolt	
2012	0147 1555 03	8	Bolt		2072	0301 2405 00	2	Washer	
2013	0300 0274 13	8	Washer		2075	0147 1630 03	2	Bolt	
2015	1621 1450 00	1	Support		2080	0301 2405 00	2	Washer	
2020	0147 1630 03	1	Bolt		2085	1614 6366 03	2	Antivibr.pad	
2025	0301 2405 00	1	Washer		2090	0147 1475 03	8	Bolt	
2030	1614 6366 03	1	Antivibr.pad		2095	0301 2378 00	8	Washer	
2035	0147 1475 03	4	Bolt		2100	1621 1449 00	2	Spacer	
2040	0301 2378 00	4	Washer		2105	0147 1646 03	2	Bolt	
2045	0147 1962 86	1	Bolt		2110	0301 2405 00	2	Washer	
2050	0301 2434 00	1	Washer		2120	0017 2071 00	2	Cable	
2055	1621 1449 00	2	Spacer		2125	1088 0010 25	2	Cable lug	
2060	0147 1495 03	2	Bolt		2130	0147 1360 03	1	Bolt	
2065	0301 2378 00	2	Washer		2135	0147 1360 03	1	Bolt	
2070	1623 7174 00	1	Support		2140	0333 3232 00	1	Lock washer	
2071	0147 1632 03	2	Bolt		2145	0333 3232 00	1	Lock washer	
2072	0301 2405 00	2	Washer		2150	0017 2071 00	2	Cable	
2075	0147 1630 03	2	Bolt		2155	1088 0010 25	2	Cable lug	
2080	0301 2405 00	2	Washer		2160	0147 1360 03	1	Bolt	
2085	1614 6366 03	2	Antivibr.pad		2165	0147 1360 03	1	Bolt	
2090	0147 1475 03	8	Bolt		2170	0333 3232 00	1	Lock washer	
2095	0301 2378 00	8	Washer		2175	0333 3232 00	1	Lock washer	
2100	1621 1449 00	2	Spacer						Without main motor
2105	0147 1646 03	2	Bolt		2005	1621 4733 80	1	Frame	
2110	0301 2405 00	2	Washer				• 1	Frame	
2120	0017 2071 00	2	Cable			1614 9851 00	• 2	Pin	
2125	1088 0010 25	2	Cable lug		2070	1623 7174 00	1	Support	
2130	0147 1360 03	1	Bolt		2071	0147 1632 03	2	Bolt	
2135	0147 1360 03	1	Bolt		2072	0301 2405 00	2	Washer	
2140	0333 3232 00	1	Lock washer		2075	0147 1630 03	2	Bolt	
2145	0333 3232 00	1	Lock washer		2080	0301 2405 00	2	Washer	
2150	0017 2071 00	2	Cable		2085	1614 6366 03	2	Antivibr.pad	
2155	1088 0010 25	2	Cable lug		2090	0147 1475 03	8	Bolt	
2160	0147 1360 03	1	Bolt		2095	0301 2378 00	8	Washer	
2165	0147 1360 03	1	Bolt		2100	1621 1449 00	2	Spacer	
2170	0333 3232 00	1	Lock washer		2105	0147 1646 03	2	Bolt	
2175	0333 3232 00	1	Lock washer		2110	0301 2405 00	2	Washer	
				Weg motor	2120	0017 2071 00	2	Cable	
				Siemens motor IP 55 MV	2125	1088 0010 25	2	Cable lug	
2005	1621 4733 80	1	Frame		2130	0147 1360 03	1	Bolt	
		• 1	Frame		2135	0147 1360 03	1	Bolt	
	1614 9851 00	• 2	Pin		2140	0333 3232 00	1	Lock washer	
2012	0147 1555 03	8	Bolt		2145	0333 3232 00	1	Lock washer	
2013	0300 0274 13	8	Washer		2150	0017 2071 00	2	Cable	
2015	1621 1451 00	1	Support		2155	1088 0010 25	2	Cable lug	
2020	0147 1630 03	1	Bolt		2160	0147 1360 03	1	Bolt	
2025	0301 2405 00	1	Washer		2165	0147 1360 03	1	Bolt	
2030	1614 6366 03	1	Antivibr.pad		2170	0333 3232 00	1	Lock washer	
2035	0147 1475 03	4	Bolt		2175	0333 3232 00	1	Lock washer	

22



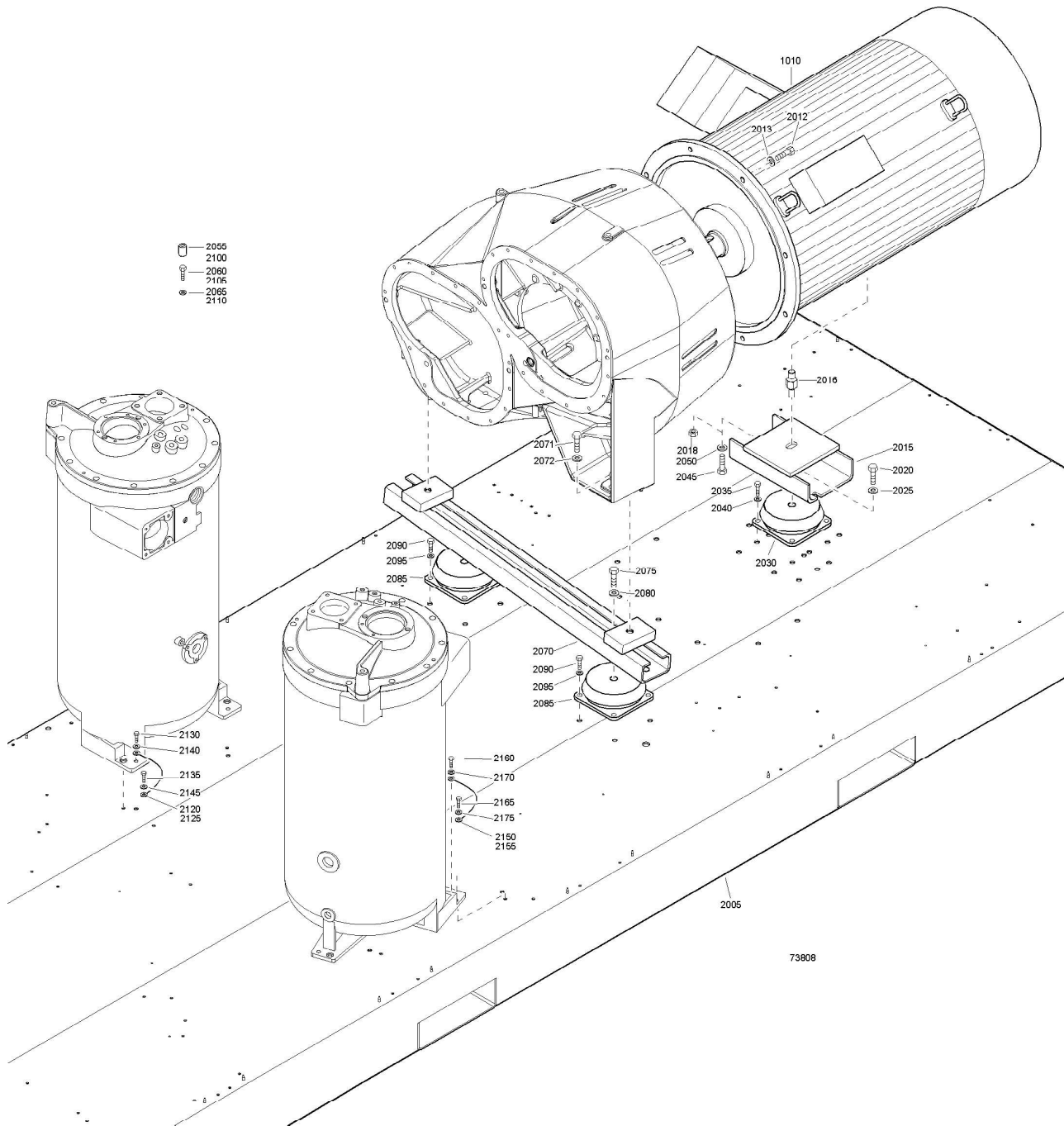
73808

Frame & Motor GA 500 (A)

22

Ref.	Partnumber	Qty	Name	Remarks	Ref.	Partnumber	Qty	Name	Remarks
			3 kV 50 Hz(3 ph) IEC IP 55 MV		2005	1621 4733 80	1	Siemens motor IP 23 Frame	
1010	1080 2930 61		Motor				• 1	Frame	
			3.3 kV 50 Hz(3 ph) IEC IP 55 MV			1614 9851 00	• 2	Pin	
1010	1080 2930 62		Motor		2012	0147 1555 03	8	Bolt	
			6 kV 50 Hz(3 ph) IEC IP 55 MV		2013	0300 0274 13	8	Washer	
			Motor		2015	1621 1450 00	1	Support	
1010	1080 2930 65		Motor		2020	0147 1630 03	1	Bolt	
			6.6 kV 50 Hz(3 ph) IEC IP 55 MV		2025	0301 2405 00	1	Washer	
			Motor		2030	1614 6366 03	1	Antivibr.pad	
1010	1080 2930 66		Motor		2035	0147 1475 03	4	Bolt	
			2.3 kV 60 Hz(3 ph) CSA-UL IP 55 MV		2040	0301 2378 00	4	Washer	
			Motor		2045	0147 1962 86	1	Bolt	
1010	1080 2930 71		Motor		2050	0301 2434 00	1	Washer	
			3 kV 60 Hz(3 ph) CSA-UL IP 55 MV		2055	1621 1449 00	2	Spacer	
			Motor		2060	0147 1495 03	2	Bolt	
1010	1080 2930 72		Motor		2065	0301 2378 00	2	Washer	
			3.3 kV 60 Hz(3 ph) CSA-UL IP 55 MV		2070	1623 7174 00	1	Support	
			Motor		2071	0147 1632 03	2	Bolt	
1010	1080 2930 73		Motor		2072	0301 2405 00	2	Washer	
			4.16 kV 60 Hz(3 ph) CSA-UL IP 55 MV		2075	0147 1630 03	2	Bolt	
			Motor		2080	0301 2405 00	2	Washer	
1010	1080 2930 74		Motor		2085	1614 6366 03	2	Antivibr.pad	
			6 kV 60 Hz(3 ph) IEC IP 55 MV		2090	0147 1475 03	8	Bolt	
			Motor		2095	0301 2378 00	8	Washer	
1010	1080 2930 75		Motor		2100	1621 1449 00	2	Spacer	
			6.6 kV 60 Hz(3 ph) IEC IP 55 MV		2105	0147 1646 03	2	Bolt	
			Motor		2110	0301 2405 00	2	Washer	
1010	1080 2930 76		Motor		2120	0017 2071 00	2	Cable	
			3 kV 50 Hz(3 ph) IEC IP 23		2125	1088 0010 25	2	Cable lug	
			Motor		2130	0147 1360 03	1	Bolt	
1010	1080 2946 61		Motor		2135	0147 1360 03	1	Bolt	
			3.3 kV 50 Hz(3 ph) IEC IP 23		2140	0333 3232 00	1	Lock washer	
			Motor		2145	0333 3232 00	1	Lock washer	
1010	1080 2946 62		Motor		2150	0017 2071 00	2	Cable	
			6 kV 50 Hz(3 ph) IEC IP 23		2155	1088 0010 25	2	Cable lug	
			Motor		2160	0147 1360 03	1	Bolt	
1010	1080 2946 65		Motor		2165	0147 1360 03	1	Bolt	
			6.6 kV 50 Hz(3 ph) IEC IP 24		2170	0333 3232 00	1	Lock washer	
			Motor		2175	0333 3232 00	1	Lock washer	
1010	1080 2946 66		Motor					Weg motor Siemens motor IP 55 MV	
			2.3 kV 60 Hz(3 ph) CSA-UL IP 23		2005	1621 4733 80	1	Frame	
1010	1080 2946 71		Motor			1614 9851 00	• 1	Frame	
			3 kV 60 Hz(3 ph) CSA-UL IP 23			0147 1555 03	• 2	Pin	
			Motor		2012	0147 1555 03	8	Bolt	
1010	1080 2946 72		Motor		2013	0300 0274 13	8	Washer	
			3.3 kV 60 Hz(3 ph) CSA-UL IP 23		2015	1621 1451 00	1	Support	
			Motor		2020	0147 1630 03	1	Bolt	
1010	1080 2946 73		Motor		2025	0301 2405 00	1	Washer	
			4.16 kV 60 Hz(3 ph) CSA-UL IP 23		2030	1614 6366 03	1	Antivibr.pad	
			Motor		2035	0147 1475 03	4	Bolt	
1010	1080 2946 74		Motor		2040	0301 2378 00	4	Washer	
			6 kV 60 Hz(3 ph) IEC IP 23		2045	0147 1962 86	1	Bolt	
			Motor		2050	0301 2434 00	1	Washer	
1010	1080 2946 75		Motor		2055	1621 1449 00	2	Spacer	
			6.6 kV 60 Hz(3 ph) IEC IP 23		2060	0147 1495 03	2	Bolt	
			Motor		2065	0301 2378 00	2	Washer	
1010	1080 2946 76		Motor		2070	1623 7174 00	1	Support	
			Frame		2071	0147 1632 03	2	Bolt	
			Air cooled		2072	0301 2405 00	2	Washer	
					2075	0147 1630 03	2	Bolt	

22



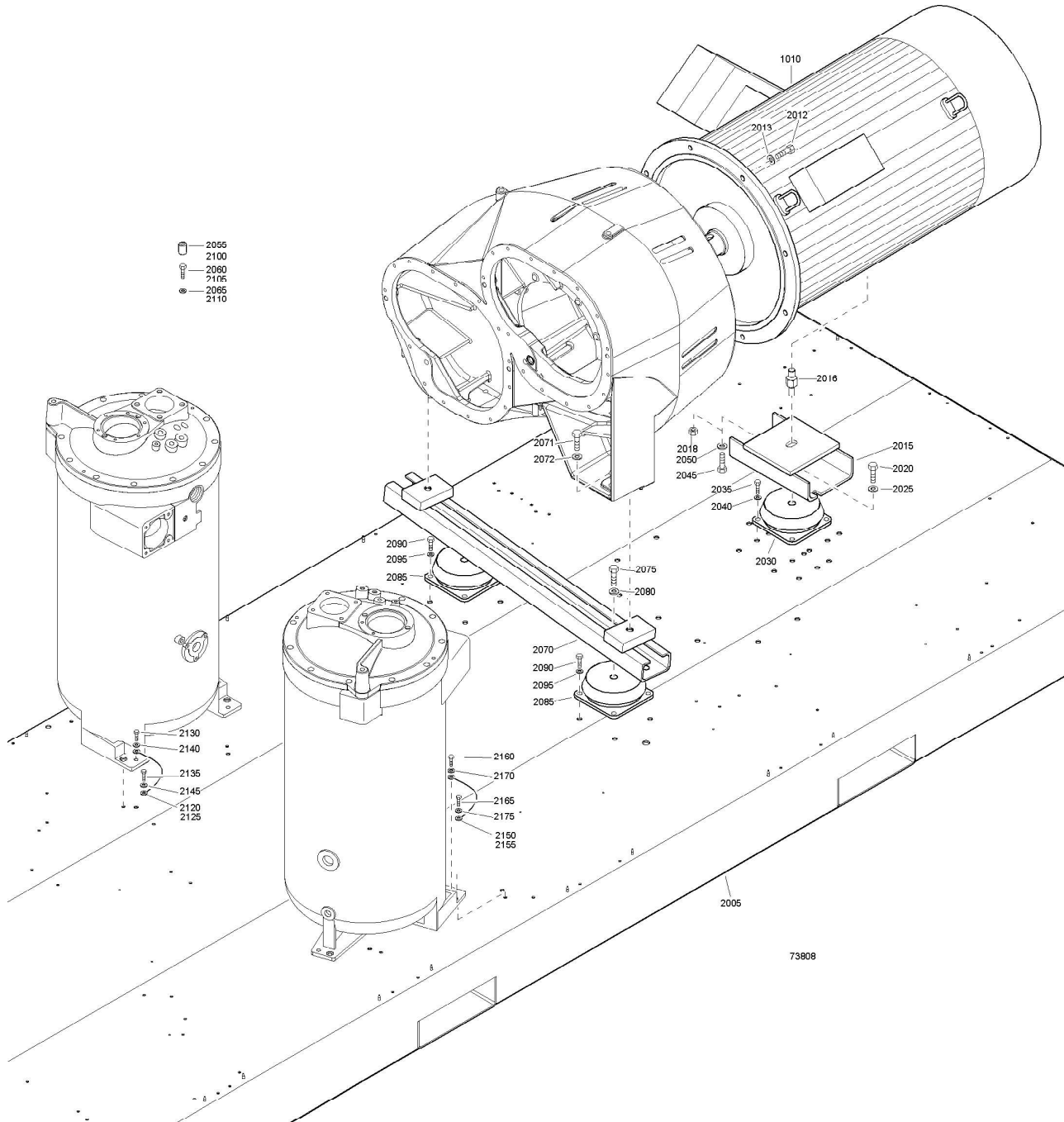
73808

Frame & Motor GA 500 (A)

22

Ref.	Part number	Qty	Name	Remarks	Ref.	Part number	Qty	Name	Remarks
2080	0301 2405 00	2	Washer		2071	0147 1632 03	2	Bolt	
2085	1614 6366 03	2	Antivibr.pad		2072	0301 2405 00	2	Washer	
2090	0147 1475 03	8	Bolt		2075	0147 1630 03	2	Bolt	
2095	0301 2378 00	8	Washer		2080	0301 2405 00	2	Washer	
2100	1621 1449 00	2	Spacer		2085	1614 6366 03	2	Antivibr.pad	
2105	0147 1646 03	2	Bolt		2090	0147 1475 03	8	Bolt	
2110	0301 2405 00	2	Washer		2095	0301 2378 00	8	Washer	
2120	0017 2071 00	2	Cable		2100	1621 1449 00	2	Spacer	
2125	1088 0010 25	2	Cable lug		2105	0147 1646 03	2	Bolt	
2130	0147 1360 03	1	Bolt		2110	0301 2405 00	2	Washer	
2135	0147 1360 03	1	Bolt		2120	0017 2071 00	2	Cable	
2140	0333 3232 00	1	Lock washer		2125	1088 0010 25	2	Cable lug	
2145	0333 3232 00	1	Lock washer		2130	0147 1360 03	1	Bolt	
2150	0017 2071 00	2	Cable		2135	0147 1360 03	1	Bolt	
2155	1088 0010 25	2	Cable lug		2140	0333 3232 00	1	Lock washer	
2160	0147 1360 03	1	Bolt		2145	0333 3232 00	1	Lock washer	
2165	0147 1360 03	1	Bolt		2150	0017 2071 00	2	Cable	
2170	0333 3232 00	1	Lock washer		2155	1088 0010 25	2	Cable lug	
2175	0333 3232 00	1	Lock washer		2160	0147 1360 03	1	Bolt	
			Without main motor		2165	0147 1360 03	1	Bolt	
2005	1621 4733 80	1	Frame		2170	0333 3232 00	1	Lock washer	
		• 1	Frame		2175	0333 3232 00	1	Lock washer	
	1614 9851 00	• 2	Pin						
2070	1623 7174 00	1	Support						

23



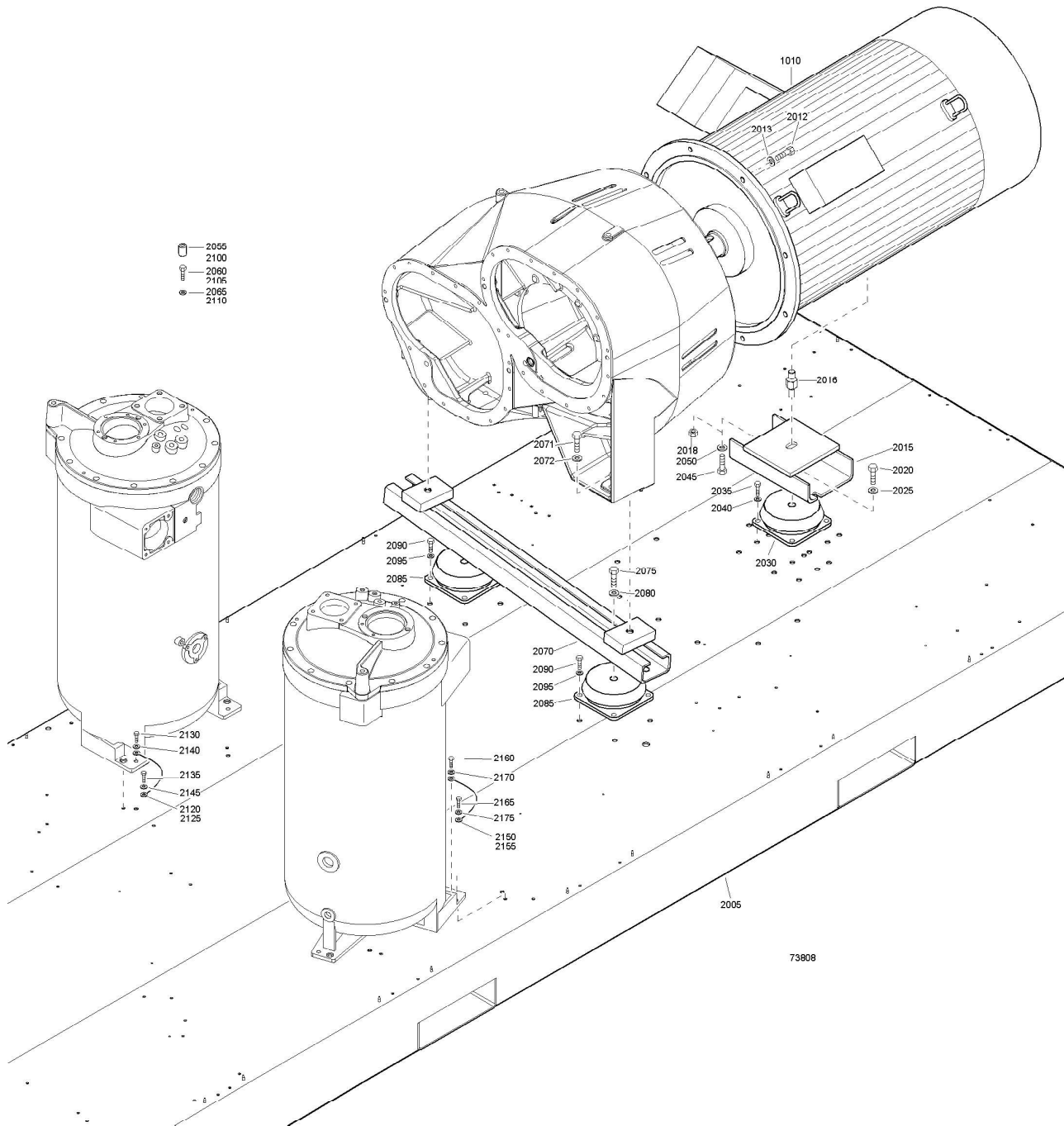
73808

Frame & Motor GA 315 (W)

23

Ref.	Part number	Qty	Name	Remarks	Ref.	Part number	Qty	Name	Remarks
			3 kV 50 Hz (3 ph)		2100	1621 1449 00	2	Spacer	
			IEC IP 55 MV		2105	0147 1646 03	2	Bolt	
1010	1080 2955 61		Motor		2110	0301 2405 00	2	Washer	
			3.3 Kv 50 Hz (3 ph)		2120	0017 2071 00	2	Cable	
			IEC IP 55 MV		2125	1088 0010 25	2	Cable lug	
1010	1080 2955 62		Motor		2130	0147 1360 03	1	Bolt	
			6 Kv 50 Hz (3 ph)		2135	0147 1360 03	1	Bolt	
			IEC IP 55 MV		2140	0333 3232 00	1	Lock washer	
1010	1080 2955 65		Motor		2145	0333 3232 00	1	Lock washer	
			6.6 kV 50 Hz (3 ph)		2150	0017 2071 00	2	Cable	
			IEC IP 55 MV		2155	1088 0010 25	2	Cable lug	
1010	1080 2955 66		Motor		2160	0147 1360 03	1	Bolt	
			3 kV 50 Hz (3 ph)		2165	0147 1360 03	1	Bolt	
			IEC IP 23		2170	0333 3232 00	1	Lock washer	
1010	1080 4077 01		Motor		2175	0333 3232 00	1	Lock washer	
			3.3 kV 50 Hz (3 ph)					Weg motor	
			IEC IP 23		2005	1621 1447 80	1	Frame	
1010	1080 4077 02		Motor					• 1	Frame
			6 kV 50 Hz (3 ph)			1614 9851 00		• 2	Pin
			IEC IP 23		2012	0147 1555 03	8	Bolt	
1010	1080 4077 05		Motor		2013	0300 0274 13	8	Washer	
			6.6 kV 50 Hz (3 ph)		2015	1621 1451 00	1	Support	
			IEC IP 23		2020	0147 1630 03	1	Bolt	
1010	1080 4077 06		Motor		2025	0301 2405 00	1	Washer	
			400 V 50 Hz (3 ph)		2030	1614 6366 03	1	Antivibr.pad	
			ABB_M3BP IEC		2035	0147 1475 03	4	Bolt	
1010	1623 8118 01		Motor		2040	0301 2378 00	4	Washer	
			500 V 50 Hz (3 ph)		2045	0147 1962 86	1	Bolt	
			ABB_M3BP IEC		2050	0301 2434 00	1	Washer	
1010	1623 8118 02		Motor		2055	1621 1449 00	2	Spacer	
			400 V 50 Hz (3 ph)		2060	0147 1495 03	2	Bolt	
			ABB_M3BP IEC		2065	0301 2378 00	2	Washer	
1010	1623 8118 11		Motor		2070	1623 7174 00	1	Support	
			500 V 50 Hz (3 ph)		2071	0147 1632 03	2	Bolt	
			ABB_M3BP IEC		2072	0301 2405 00	2	Washer	
1010	1623 8118 12		Motor		2075	0147 1630 03	2	Bolt	
			Frame		2080	0301 2405 00	2	Washer	
			Water cooled		2085	1614 6366 03	2	Antivibr.pad	
			Siemens motor		2090	0147 1475 03	8	Bolt	
2005	1621 1447 80	1	Frame		2095	0301 2378 00	8	Washer	
		• 1	Frame		2100	1621 1449 00	2	Spacer	
	1614 9851 00	• 2	Pin		2105	0147 1646 03	2	Bolt	
2012	0147 1555 03	8	Bolt		2110	0301 2405 00	2	Washer	
2013	0300 0274 13	8	Washer		2120	0017 2071 00	2	Cable	
2015	1621 1450 00	1	Support		2125	1088 0010 25	2	Cable lug	
2020	0147 1630 03	1	Bolt		2130	0147 1360 03	1	Bolt	
2025	0301 2405 00	1	Washer		2135	0147 1360 03	1	Bolt	
2030	1614 6366 03	1	Antivibr.pad		2140	0333 3232 00	1	Lock washer	
2035	0147 1475 03	4	Bolt		2145	0333 3232 00	1	Lock washer	
2040	0301 2378 00	4	Washer		2150	0017 2071 00	2	Cable	
2045	0147 1962 86	1	Bolt		2155	1088 0010 25	2	Cable lug	
2050	0301 2434 00	1	Washer		2160	0147 1360 03	1	Bolt	
2055	1621 1449 00	2	Spacer		2165	0147 1360 03	1	Bolt	
2060	0147 1495 03	2	Bolt		2170	0333 3232 00	1	Lock washer	
2065	0301 2378 00	2	Washer		2175	0333 3232 00	1	Lock washer	
2070	1623 7174 00	1	Support					ABB_M3BP motor	
2071	0147 1632 03	2	Bolt		2005	1621 1447 80	1	Frame	
2072	0301 2405 00	2	Washer					• 1	Frame
2075	0147 1630 03	2	Bolt			1614 9851 00		• 2	Pin
2080	0301 2405 00	2	Washer		2012	0147 1555 03	8	Bolt	
2085	1614 6366 03	2	Antivibr.pad		2013	0300 0274 13	8	Washer	
2090	0147 1475 03	8	Bolt		2015	1621 1448 00	1	Support	
2095	0301 2378 00	8	Washer		2016	1623 8878 00	1	Stud	

23



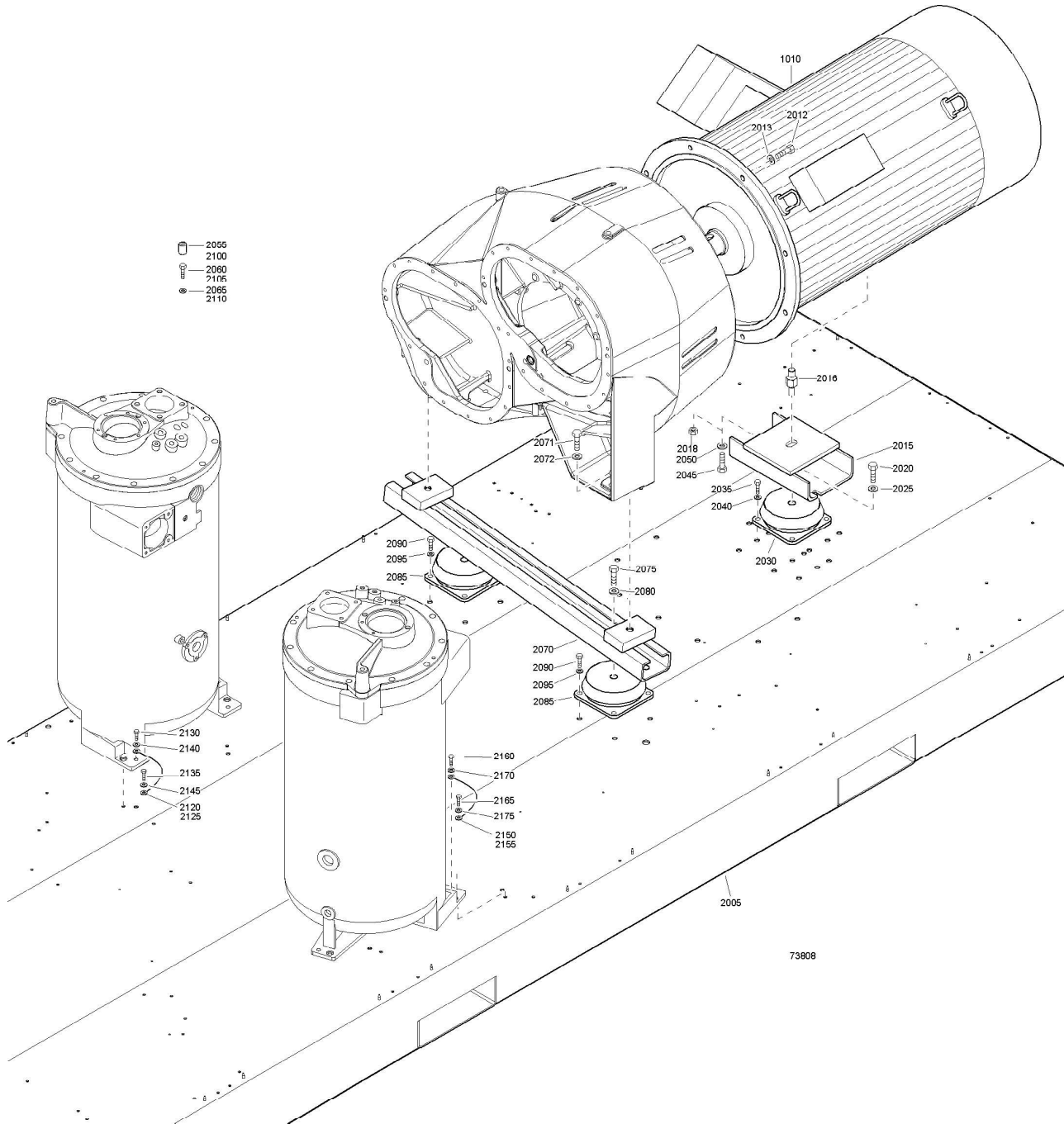
73808

Frame & Motor GA 315 (W)

23

Ref.	Part number	Qty	Name	Remarks	Ref.	Part number	Qty	Name	Remarks
2018	0266 2118 00	1	Nut		2170	0333 3232 00	1	Lock washer	
2030	1614 6366 03	1	Antivibr.pad		2175	0333 3232 00	1	Lock washer	
2035	0147 1475 03	4	Bolt					Without main motor	
2040	0301 2378 00	4	Washer		2005	1621 1447 80	1	Frame	
2045	0147 1630 03	1	Bolt				• 1	Frame	
2050	0301 2405 00	1	Washer			1614 9851 00	• 2	Pin	
2055	1621 1449 00	2	Spacer		2070	1623 7174 00	1	Support	
2060	0147 1495 03	2	Bolt		2071	0147 1632 03	2	Bolt	
2065	0301 2378 00	2	Washer		2072	0301 2405 00	2	Washer	
2070	1623 7174 00	1	Support		2075	0147 1630 03	2	Bolt	
2071	0147 1632 03	2	Bolt		2080	0301 2405 00	2	Washer	
2072	0301 2405 00	2	Washer		2085	1614 6366 03	2	Antivibr.pad	
2075	0147 1630 03	2	Bolt		2090	0147 1475 03	8	Bolt	
2080	0301 2405 00	2	Washer		2095	0301 2378 00	8	Washer	
2085	1614 6366 03	2	Antivibr.pad		2100	1621 1449 00	2	Spacer	
2090	0147 1475 03	8	Bolt		2105	0147 1646 03	2	Bolt	
2095	0301 2378 00	8	Washer		2110	0301 2405 00	2	Washer	
2100	1621 1449 00	2	Spacer		2120	0017 2071 00	2	Cable	
2105	0147 1646 03	2	Bolt		2125	1088 0010 25	2	Cable lug	
2110	0301 2405 00	2	Washer		2130	0147 1360 03	1	Bolt	
2120	0017 2071 00	2	Cable		2135	0147 1360 03	1	Bolt	
2125	1088 0010 25	2	Cable lug		2140	0333 3232 00	1	Lock washer	
2130	0147 1360 03	1	Bolt		2145	0333 3232 00	1	Lock washer	
2135	0147 1360 03	1	Bolt		2150	0017 2071 00	2	Cable	
2140	0333 3232 00	2	Lock washer		2155	1088 0010 25	2	Cable lug	
2145	0333 3232 00	2	Lock washer		2160	0147 1360 03	1	Bolt	
2150	0017 2071 00	2	Cable		2165	0147 1360 03	1	Bolt	
2155	1088 0010 25	2	Cable lug		2170	0333 3232 00	1	Lock washer	
2160	0147 1360 03	1	Bolt		2175	0333 3232 00	1	Lock washer	
2165	0147 1360 03	1	Bolt						

24



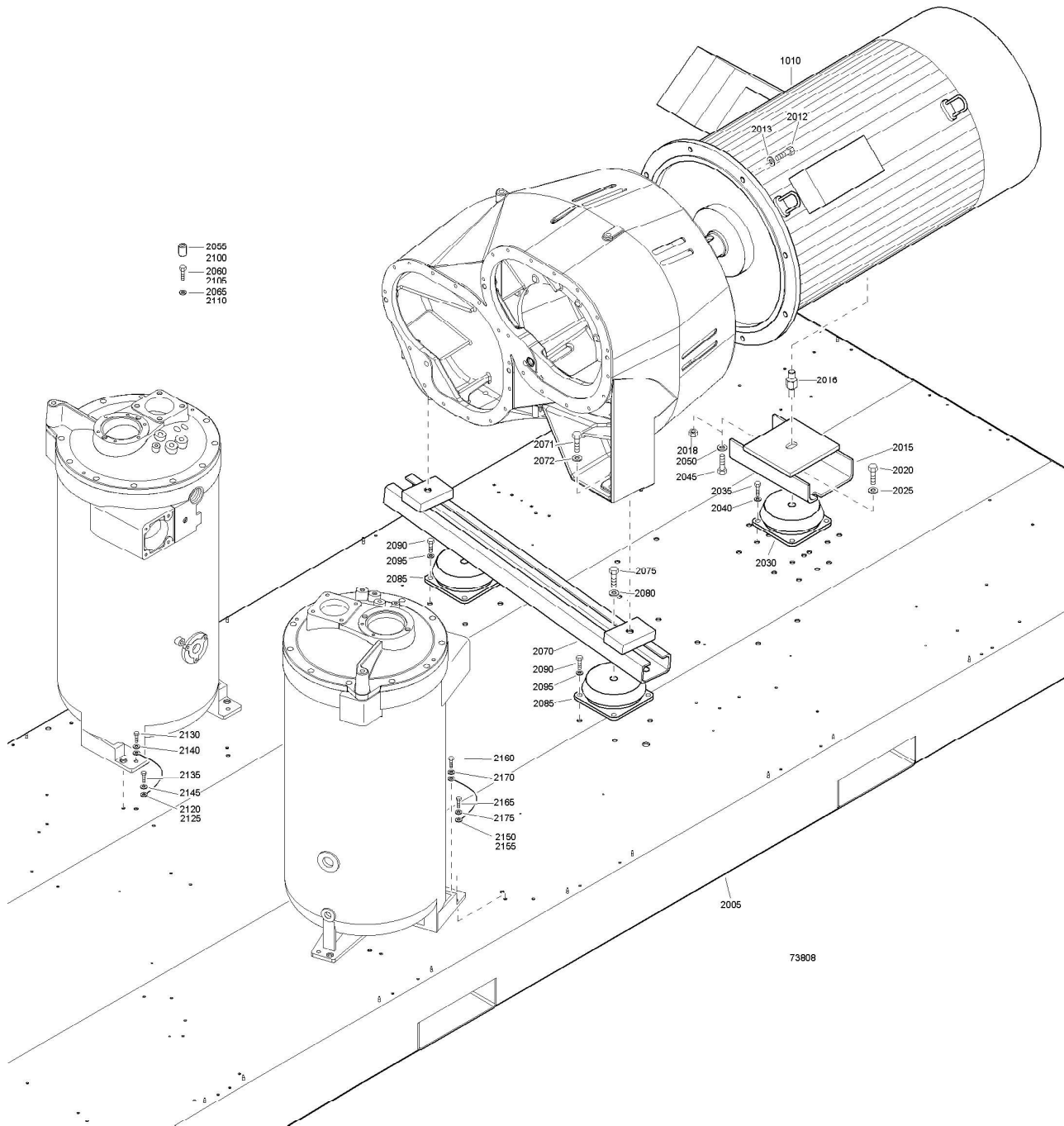
73808

Frame & Motor GA 355 (W)

24

Ref.	Part number	Qty	Name	Remarks	Ref.	Part number	Qty	Name	Remarks
1010	1080 2929 71		3 kV 50 Hz(3 ph) IEC IP 55 MV Motor		1010	1080 4199 02		bearings Weg motor IEC Motor	
1010	1080 2929 72		3.3 kV 50 Hz(3 ph) IEC IP 55 MV Motor		1010	1080 4199 04		575 V 60 Hz(3 ph) Weg motor CSA-UL Motor	
1010	1080 2929 75		6 kV 50 Hz(3 ph) IEC IP 55 MV Motor		1010	1623 8118 03		400 V 50 Hz(3 ph) ABB_M3BP IEC Motor	
1010	1080 2929 76		6.6 kV 50 Hz(3 ph) IEC IP 55 MV Motor		1010	1623 8118 04		500 V 50 Hz(3 ph) ABB_M3BP IEC Motor	
1010	1080 2955 71		2.3 kV 60 Hz(3 ph) CSA-UL IP 55 MV Motor		1010	1623 8118 05		380V 60 Hz(3 ph) ABB_M3BP IEC Motor	
1010	1080 2955 72		3 kV 60 Hz (3 ph) CSA-UL IP 55 MV Motor		1010	1623 8118 13		400 V 50 Hz(3 ph) ABB_M3BP IEC With PT 1000s in the windings and bearings Anti-condensation heaters	
1010	1080 2955 73		3.3kV 60 Hz (3 ph) CSA-UL IP 55 MV Motor		1010	1623 8118 14		500 V 50 Hz(3 ph) ABB_M3BP IEC With PT 1000s in the windings and bearings Anti-condensation heaters	
1010	1080 2955 74		4.16 kV 60 Hz(3 ph) CSA-UL IP 55 MV Motor		1010	1623 8118 15		380 V 60 Hz(3 ph) ABB_M3BP IEC With PT 1000s in the windings and bearings Anti-condensation heaters	
1010	1080 2955 75		6kV 60 Hz(3 ph) IEC IP 55 MV Motor		1010	1623 8118 15		Motor Frame Water cooled 50Hz Siemens motor IP 23 60Hz Siemens motor	
1010	1080 2955 76		6.6 kV 60 Hz(3 ph) IEC IP 55 MV Motor		2005	1621 1447 80	1	Frame	
1010	1080 4077 11		3 kV 50 Hz(3 ph) IEC IP 23 Motor				• 1	Frame	
1010	1080 4077 12		3.3 kV 50 Hz(3 ph) IEC IP 23 Motor				• 2	Pin	
1010	1080 4077 15		6.6 kV 50 Hz(3 ph) IEC IP 23 Motor		1614	9851 00	8	Bolt	
1010	1080 4077 16		2.3 kV 60 Hz (3 ph) CSA-UL IP 23 Motor		2012	0147 1555 03	8	Bolt	
1010	1080 4077 31		3 kV 60 Hz (3 ph) CSA-UL IP 23 Motor		2013	0300 0274 13	8	Washer	
1010	1080 4077 32		3.3 kV 60 Hz (3 ph) CSA-UL IP 23 Motor		2015	1621 1450 00	1	Support	
1010	1080 4077 33		4.16 kV 60 Hz (3 ph) CSA-UL IP 23 Motor		2020	0147 1630 03	1	Bolt	
1010	1080 4077 34		6 kV 60 Hz(3 ph) IEC IP 23 Motor		2025	0301 2405 00	1	Washer	
1010	1080 4077 35		6.6 kV 60 Hz (3 ph) IEC IP 23 Motor		2030	1614 6366 03	1	Antivibr.pad	
1010	1080 4077 36		440-460 V 60 Hz(3 ph) Weg motor CSA-UL Weg motor IEC With PT 1000s in the windings and		2035	0147 1475 03	4	Bolt	
					2040	0301 2378 00	4	Washer	
					2045	0147 1962 86	1	Bolt	
					2050	0301 2434 00	1	Washer	
					2055	1621 1449 00	2	Spacer	
					2060	0147 1495 03	2	Bolt	
					2065	0301 2378 00	2	Washer	
					2070	1623 7174 00	1	Support	
					2071	0147 1632 03	2	Bolt	
					2072	0301 2405 00	2	Washer	
					2075	0147 1630 03	2	Bolt	
					2080	0301 2405 00	2	Washer	
					2085	1614 6366 03	2	Antivibr.pad	
					2090	0147 1475 03	8	Bolt	
					2095	0301 2378 00	8	Washer	
					2100	1621 1449 00	2	Spacer	
					2105	0147 1646 03	2	Bolt	
					2110	0301 2405 00	2	Washer	

24



73808

Frame & Motor GA 355 (W)

24

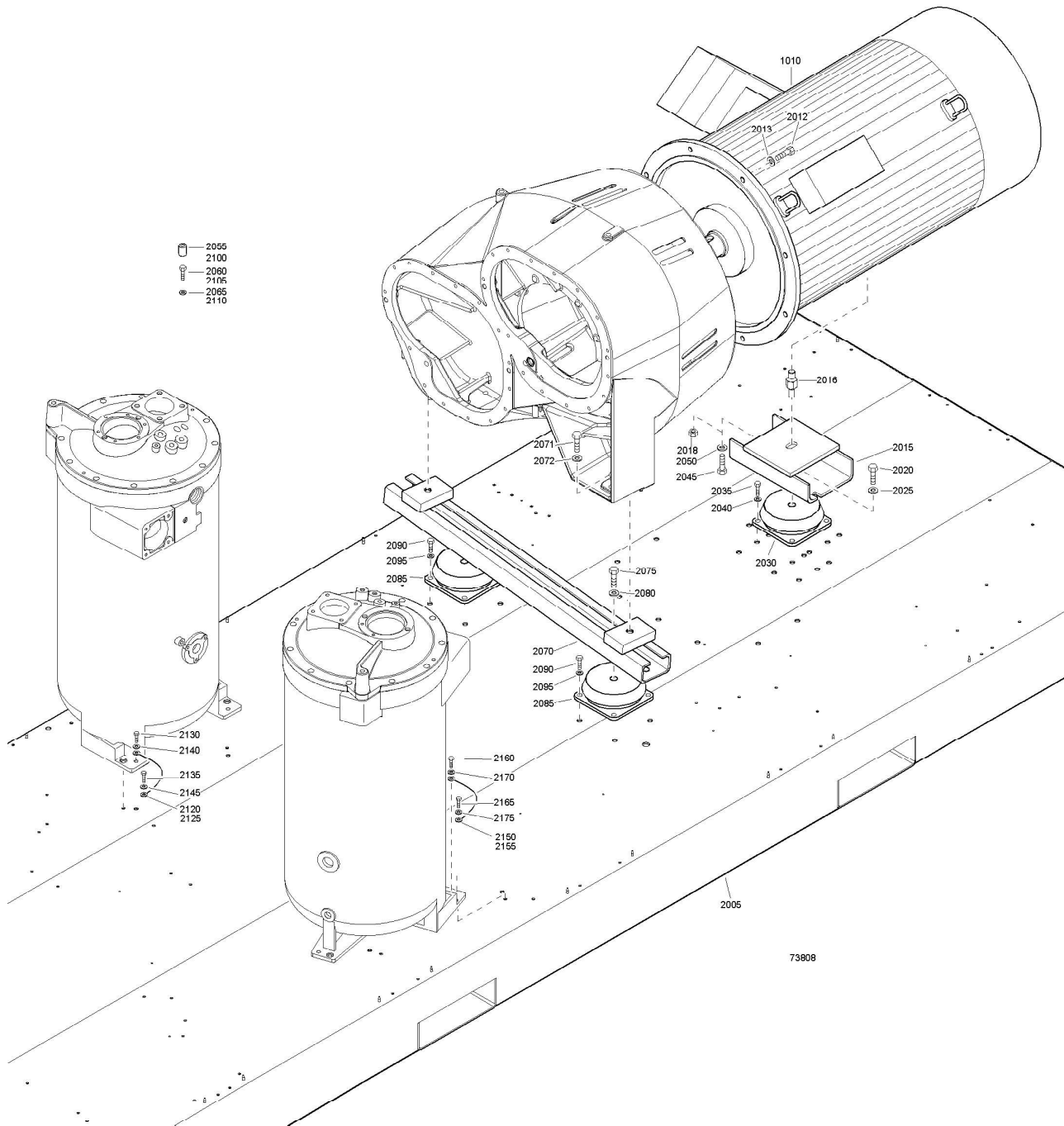
Ref.	Part number	Qty	Name	Remarks	Ref.	Part number	Qty	Name	Remarks
2120	0017 2071 00	2	Cable		2016	1623 8878 00	1	Stud	
2125	1088 0010 25	2	Cable lug		2018	0266 2118 00	1	Nut	
2130	0147 1360 03	1	Bolt		2030	1614 6366 03	1	Antivibr.pad	
2135	0147 1360 03	1	Bolt		2035	0147 1475 03	4	Bolt	
2140	0333 3232 00	1	Lock washer		2040	0301 2378 00	4	Washer	
2145	0333 3232 00	1	Lock washer		2045	0147 1630 03	1	Bolt	
2150	0017 2071 00	2	Cable		2050	0301 2405 00	1	Washer	
2155	1088 0010 25	2	Cable lug		2055	1621 1449 00	2	Spacer	
2160	0147 1360 03	1	Bolt		2060	0147 1495 03	2	Bolt	
2165	0147 1360 03	1	Bolt		2065	0301 2378 00	2	Washer	
2170	0333 3232 00	1	Lock washer		2070	1623 7174 00	1	Support	
2175	0333 3232 00	1	Lock washer		2071	0147 1632 03	2	Bolt	
			Weg motor		2072	0301 2405 00	2	Washer	
			50 Hz Siemens motor IP 55		2075	0147 1630 03	2	Bolt	
			MV		2080	0301 2405 00	2	Washer	
2005	1621 1447 80	1	Frame		2085	1614 6366 03	2	Antivibr.pad	
		• 1	Frame		2090	0147 1475 03	8	Bolt	
	1614 9851 00	• 2	Pin		2095	0301 2378 00	8	Washer	
2012	0147 1555 03	8	Bolt		2100	1621 1449 00	2	Spacer	
2013	0300 0274 13	8	Washer		2105	0147 1646 03	2	Bolt	
2015	1621 1451 00	1	Support		2110	0301 2405 00	2	Washer	
2020	0147 1630 03	1	Bolt		2120	0017 2071 00	2	Cable	
2025	0301 2405 00	1	Washer		2125	1088 0010 25	2	Cable lug	
2030	1614 6366 03	1	Antivibr.pad		2130	0147 1360 03	1	Bolt	
2035	0147 1475 03	4	Bolt		2135	0147 1360 03	1	Bolt	
2040	0301 2378 00	4	Washer		2140	0333 3232 00	2	Lock washer	
2045	0147 1962 86	1	Bolt		2145	0333 3232 00	2	Lock washer	
2050	0301 2434 00	1	Washer		2150	0017 2071 00	2	Cable	
2055	1621 1449 00	2	Spacer		2155	1088 0010 25	2	Cable lug	
2060	0147 1495 03	2	Bolt		2160	0147 1360 03	1	Bolt	
2065	0301 2378 00	2	Washer		2165	0147 1360 03	1	Bolt	
2070	1623 7174 00	1	Support		2170	0333 3232 00	1	Lock washer	
2071	0147 1632 03	2	Bolt		2175	0333 3232 00	1	Lock washer	
2072	0301 2405 00	2	Washer					Without main motor	
2075	0147 1630 03	2	Bolt		2005	1621 1447 80	1	Frame	
2080	0301 2405 00	2	Washer				• 1	Frame	
2085	1614 6366 03	2	Antivibr.pad			1614 9851 00	• 2	Pin	
2090	0147 1475 03	8	Bolt		2070	1623 7174 00	1	Support	
2095	0301 2378 00	8	Washer		2071	0147 1632 03	2	Bolt	
2100	1621 1449 00	2	Spacer		2072	0301 2405 00	2	Washer	
2105	0147 1646 03	2	Bolt		2075	0147 1630 03	2	Bolt	
2110	0301 2405 00	2	Washer		2080	0301 2405 00	2	Washer	
2120	0017 2071 00	2	Cable		2085	1614 6366 03	2	Antivibr.pad	
2125	1088 0010 25	2	Cable lug		2090	0147 1475 03	8	Bolt	
2130	0147 1360 03	1	Bolt		2095	0301 2378 00	8	Washer	
2135	0147 1360 03	1	Bolt		2100	1621 1449 00	2	Spacer	
2140	0333 3232 00	1	Lock washer		2105	0147 1646 03	2	Bolt	
2145	0333 3232 00	1	Lock washer		2110	0301 2405 00	2	Washer	
2150	0017 2071 00	2	Cable		2120	0017 2071 00	2	Cable	
2155	1088 0010 25	2	Cable lug		2125	1088 0010 25	2	Cable lug	
2160	0147 1360 03	1	Bolt		2130	0147 1360 03	1	Bolt	
2165	0147 1360 03	1	Bolt		2135	0147 1360 03	1	Bolt	
2170	0333 3232 00	1	Lock washer		2140	0333 3232 00	1	Lock washer	
2175	0333 3232 00	1	Lock washer		2145	0333 3232 00	1	Lock washer	
			ABB_M3BP motor		2150	0017 2071 00	2	Cable	
2005	1621 1447 80	1	Frame		2155	1088 0010 25	2	Cable lug	
		• 1	Frame		2160	0147 1360 03	1	Bolt	
	1614 9851 00	• 2	Pin		2165	0147 1360 03	1	Bolt	
2012	0147 1555 03	8	Bolt		2170	0333 3232 00	1	Lock washer	
2013	0300 0274 13	8	Washer		2175	0333 3232 00	1	Lock washer	
2015	1621 1448 00	1	Support						

Frame & Motor GA 400 (W)

25

Ref.	Part number	Qty	Name	Remarks	Ref.	Part number	Qty	Name	Remarks
1010	1080 2929 81		3 kV 50 Hz(3 ph) IEC IP 55 MV Motor					1000s in the windings and bearings Anti-condensation heaters	
1010	1080 2929 82		3.3 kV 50 Hz(3 ph) IEC IP 55 MV Motor		1010	1080 4199 12		Weg motor CSA-UL Motor	
1010	1080 2929 85		6 kV 50 Hz(3 ph) IEC IP 55 MV Motor		1010	1080 4199 14		575 V 60 Hz (3 ph) Weg motor CSA-UL Motor	
1010	1080 2929 86		6.6 kV 50 Hz(3 ph) IEC IP 55 MV Motor		1010	1623 8118 06		400 V 50 Hz (3 ph) ABB_M3BP motor IEC Motor	
1010	1080 2929 91		2.3 kV 60 Hz(3 ph) CSA-UL IP 55 MV Motor		1010	1623 8118 07		500 V 50 Hz (3 ph) ABB_M3BP motor IEC Motor	
1010	1080 2929 92		3 kV 60 Hz(3 ph) CSA-UL IP 55 MV Motor		1010	1623 8118 08		380 V 60 Hz (3 ph) ABB_M3BP motor IEC Motor	
1010	1080 2929 93		3.3 kV 60 Hz(3 ph) CSA-UL IP 55 MV Motor					400 V 50 Hz (3 ph) ABB_M3BP motor IEC With PT 1000s in the windings and bearings Anti- condensation heaters	
1010	1080 2929 94		4.16 kV 60 Hz(3 ph) CSA-UL IP 55 MV Motor		1010	1623 8118 16		Motor 500 V 50 Hz(3 ph) ABB_M3BP motor IEC With PT 1000s in the windings and bearings Anti- condensation heaters	
1010	1080 2929 95		6 kV 60 Hz(3 ph) IEC IP 55 MV Motor					Motor 380 V 60 Hz (3 ph) ABB_M3BP motor IEC With PT 1000s in the windings and bearings Anti- condensation heaters	
1010	1080 2929 96		6.6 kV 60 Hz(3 ph) IEC IP 55 MV Motor		1010	1623 8118 17		Motor 380 V 60 Hz (3 ph) ABB_M3BP motor IEC With PT 1000s in the windings and bearings Anti- condensation heaters	
1010	1080 4077 21		3 kV 50 Hz(3 ph) IEC IP 24 Motor					Motor 380 V 60 Hz (3 ph) ABB_M3BP motor IEC With PT 1000s in the windings and bearings Anti- condensation heaters	
1010	1080 4077 22		3.3 kV 50 Hz(3 ph) IEC IP 23 Motor		1010	1623 8118 18		Motor Frame Water cooled ABB_M3BP motor	
1010	1080 4077 25		6 kV 50 Hz(3 ph) IEC IP 23 Motor		2005	1621 1447 80	1	Frame	
1010	1080 4077 26		6.6 kV 50 Hz(3 ph) IEC IP 24 Motor			1614 9851 00	• 1	Frame	
1010	1080 4077 41		2.3 kV 60 Hz(3 ph) CSA-UL IP 24 Motor		2012	0147 1555 03	• 2	Pin	
1010	1080 4077 41		3 kV 60 Hz(3 ph) CSA-UL IP 24 Motor		2013	0300 0274 13	8	Bolt	
1010	1080 4077 42		3.3 kV 60 Hz(3 ph) CSA-UL IP 24 Motor		2015	1621 1448 00	8	Washer	
1010	1080 4077 42		6 kV 60 Hz(3 ph) IEC IP 24 Motor		2016	1623 8878 00	1	Support	
1010	1080 4077 43		4.16 kV 60 Hz(3 ph) CSA-UL IP 24 Motor		2018	0266 2118 00	1	Stud	
1010	1080 4077 43		6 kV 60 Hz(3 ph) IEC IP 24 Motor		2018	0266 2118 00	1	Nut	
1010	1080 4077 44		6.6 kV 60 Hz(3 ph) IEC IP 24 Motor		2030	1614 6366 03	1	Antivibr.pad	
1010	1080 4077 44		440-460 V 60 Hz (3 ph) Weg motor IEC Weg motor IEC With PT		2035	0147 1475 03	4	Bolt	
1010	1080 4077 45				2040	0301 2378 00	4	Washer	
1010	1080 4077 46				2045	0147 1630 03	1	Bolt	
					2050	0301 2405 00	1	Washer	
					2055	1621 1449 00	2	Spacer	
					2060	0147 1495 03	2	Bolt	
					2065	0301 2378 00	2	Washer	
					2070	1623 7174 00	1	Support	
					2071	0147 1632 03	2	Bolt	
					2072	0301 2405 00	2	Washer	
					2075	0147 1630 03	2	Bolt	
					2080	0301 2405 00	2	Washer	
					2085	1614 6366 03	2	Antivibr.pad	
					2090	0147 1475 03	8	Bolt	
					2095	0301 2378 00	8	Washer	
					2100	1621 1449 00	2	Spacer	

25



73808

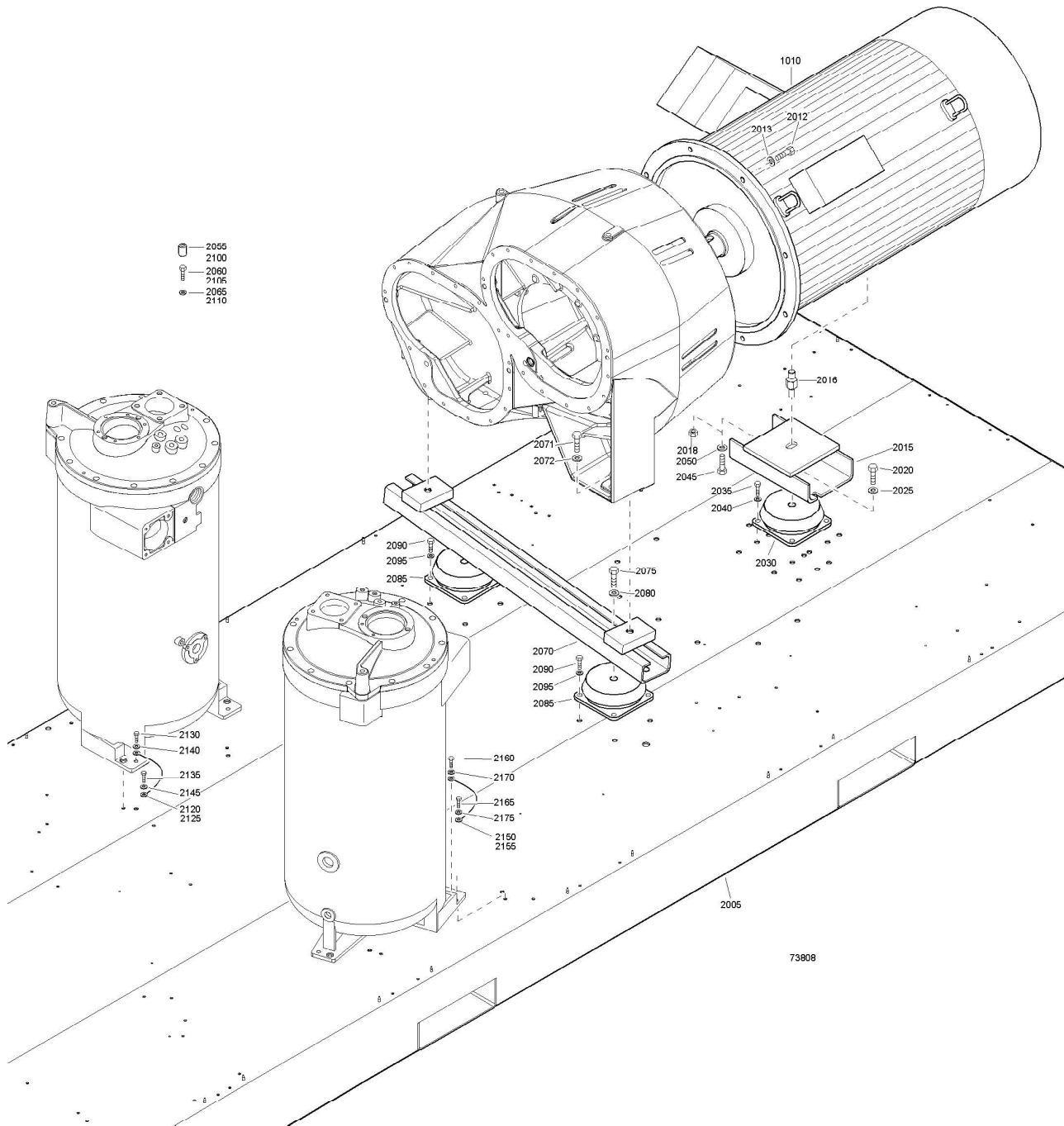
Frame & Motor GA 400 (W)

25

Ref.	Part number	Qty	Name	Remarks	Ref.	Part number	Qty	Name	Remarks
2105	0147 1646 03	2	Bolt		2025	0301 2405 00	1	Washer	
2110	0301 2405 00	2	Washer		2030	1614 6366 03	1	Antivibr.pad	
2120	0017 2071 00	2	Cable		2035	0147 1475 03	4	Bolt	
2125	1088 0010 25	2	Cable lug		2040	0301 2378 00	4	Washer	
2130	0147 1360 03	1	Bolt		2045	0147 1962 86	1	Bolt	
2135	0147 1360 03	1	Bolt		2050	0301 2434 00	1	Washer	
2140	0333 3232 00	2	Lock washer		2055	1621 1449 00	2	Spacer	
2145	0333 3232 00	2	Lock washer		2060	0147 1495 03	2	Bolt	
2150	0017 2071 00	2	Cable		2065	0301 2378 00	2	Washer	
2155	1088 0010 25	2	Cable lug		2070	1623 7174 00	1	Support	
2160	0147 1360 03	1	Bolt		2071	0147 1632 03	2	Bolt	
2165	0147 1360 03	1	Bolt		2072	0301 2405 00	2	Washer	
2170	0333 3232 00	1	Lock washer		2075	0147 1630 03	2	Bolt	
2175	0333 3232 00	1	Lock washer		2080	0301 2405 00	2	Washer	
					2085	1614 6366 03	2	Antivibr.pad	
2005	1621 1447 80	1	Frame	Siemens motor IP 23	2090	0147 1475 03	8	Bolt	
		• 1	Frame		2095	0301 2378 00	8	Washer	
	1614 9851 00	• 2	Pin		2100	1621 1449 00	2	Spacer	
2012	0147 1555 03	8	Bolt		2105	0147 1646 03	2	Bolt	
2013	0300 0274 13	8	Washer		2110	0301 2405 00	2	Washer	
2015	1621 1450 00	1	Support		2120	0017 2071 00	2	Cable	
2020	0147 1630 03	1	Bolt		2125	1088 0010 25	2	Cable lug	
2025	0301 2405 00	1	Washer		2130	0147 1360 03	1	Bolt	
2030	1614 6366 03	1	Antivibr.pad		2135	0147 1360 03	1	Bolt	
2035	0147 1475 03	4	Bolt		2140	0333 3232 00	1	Lock washer	
2040	0301 2378 00	4	Washer		2145	0333 3232 00	1	Lock washer	
2045	0147 1962 86	1	Bolt		2150	0017 2071 00	2	Cable	
2050	0301 2434 00	1	Washer		2155	1088 0010 25	2	Cable lug	
2055	1621 1449 00	2	Spacer		2160	0147 1360 03	1	Bolt	
2060	0147 1495 03	2	Bolt		2165	0147 1360 03	1	Bolt	
2065	0301 2378 00	2	Washer		2170	0333 3232 00	1	Lock washer	
2070	1623 7174 00	1	Support		2175	0333 3232 00	1	Lock washer	
2071	0147 1632 03	2	Bolt					Without main motor	
2072	0301 2405 00	2	Washer		2005	1621 1447 80	1	Frame	
2075	0147 1630 03	2	Bolt				• 1	Frame	
2080	0301 2405 00	2	Washer			1614 9851 00	• 2	Pin	
2085	1614 6366 03	2	Antivibr.pad		2070	1623 7174 00	1	Support	
2090	0147 1475 03	8	Bolt		2071	0147 1632 03	2	Bolt	
2095	0301 2378 00	8	Washer		2072	0301 2405 00	2	Washer	
2100	1621 1449 00	2	Spacer		2075	0147 1630 03	2	Bolt	
2105	0147 1646 03	2	Bolt		2080	0301 2405 00	2	Washer	
2110	0301 2405 00	2	Washer		2085	1614 6366 03	2	Antivibr.pad	
2120	0017 2071 00	2	Cable		2090	0147 1475 03	8	Bolt	
2125	1088 0010 25	2	Cable lug		2095	0301 2378 00	8	Washer	
2130	0147 1360 03	1	Bolt		2100	1621 1449 00	2	Spacer	
2135	0147 1360 03	1	Bolt		2105	0147 1646 03	2	Bolt	
2140	0333 3232 00	1	Lock washer		2110	0301 2405 00	2	Washer	
2145	0333 3232 00	1	Lock washer		2120	0017 2071 00	2	Cable	
2150	0017 2071 00	2	Cable		2125	1088 0010 25	2	Cable lug	
2155	1088 0010 25	2	Cable lug		2130	0147 1360 03	1	Bolt	
2160	0147 1360 03	1	Bolt		2135	0147 1360 03	1	Bolt	
2165	0147 1360 03	1	Bolt		2140	0333 3232 00	1	Lock washer	
2170	0333 3232 00	1	Lock washer		2145	0333 3232 00	1	Lock washer	
2175	0333 3232 00	1	Lock washer		2150	0017 2071 00	2	Cable	
					2155	1088 0010 25	2	Cable lug	
					2160	0147 1360 03	1	Bolt	
2005	1621 1447 80	1	Frame	Weg motor	2165	0147 1360 03	1	Bolt	
		• 1	Frame	Siemens motor IP 55 MV	2170	0333 3232 00	1	Lock washer	
	1614 9851 00	• 2	Pin		2175	0333 3232 00	1	Lock washer	
2012	0147 1555 03	8	Bolt						
2013	0300 0274 13	8	Washer						
2015	1621 1451 00	1	Support						
2020	0147 1630 03	1	Bolt						

1) With Anti Condensation Heaters and PT1000s in the windings and bearings

26



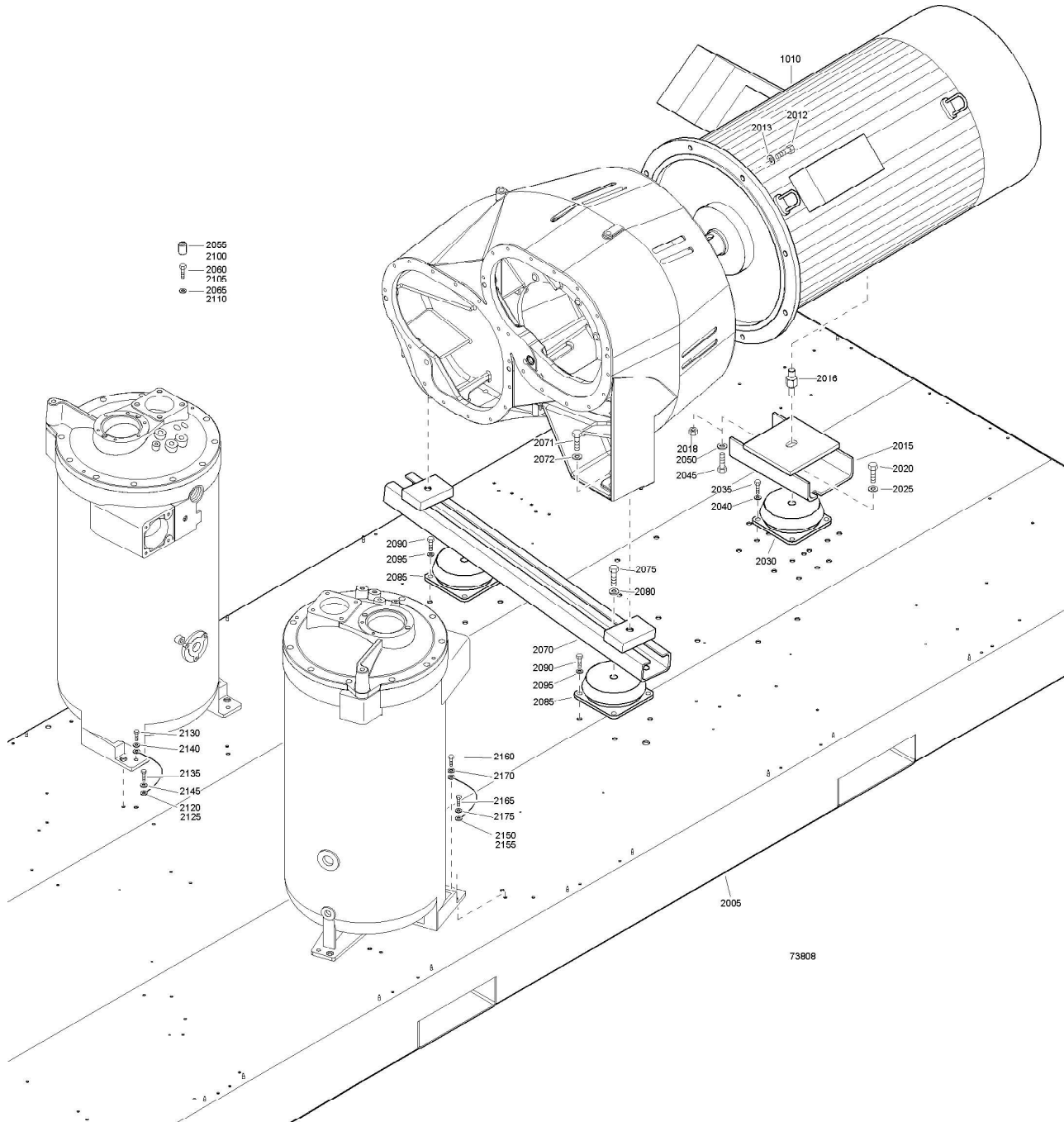
73808

Frame & Motor GA 450 (W)

26

Ref.	Partnumber	Qty	Name	Remarks	Ref.	Partnumber	Qty	Name	Remarks
1010	1080292961		2.3 kV 60 Hz(3 ph) CSA-UL IP55 MV Motor					1000s in the windings and bearings Anti-condensation heaters	
1010	1080292962		3 kV 60 Hz(3 ph) CSA-UL IP 55 MV CSA-UL IP55 MV Motor		1010	1080419922		Weg motor CSA-UL Motor	
1010	1080292963		3.3 kV 60 Hz(3 ph) CSA-UL IP55 MV Motor		1010	1080419924		575 V 60 Hz (3 ph) Weg motor CSA-UL Motor	
1010	1080292964		4.16 kV 60 Hz(3 ph) CSA-UL IP55 MV Motor		1010	1623811821		400 V 50 Hz (3 ph) ABB_M3BP motor IEC Motor	
1010	1080292965		6 kV 60 Hz(3 ph) IEC IP55 MV Motor		1010	1623811822		500 V 50 Hz(3 ph) ABB_M3BP motor IEC Motor	
1010	1080292966		6.6 kV 60 Hz(3 ph) IEC IP55 MV Motor		1010	1623811831		400V 50 Hz(3 ph) ABB_M3BP motor IEC With PT 1000s in the windings and bearings Anti- condensation heaters	
1010	1080293051		3 kV 50 Hz(3 ph) IEC IP55 MV Motor		1010	1623811832		500 V 50 Hz(3 ph) ABB_M3BP motor IEC With PT 1000s in the windings and bearings Anti- condensation heaters	
1010	1080293052		3.3 kV 50 Hz(3 ph) IEC IP55 MV Motor		1010	1623811832		Motor	
1010	1080293055		6 kV 50 Hz(3 ph) IEC IP55 MV Motor		2005	1621144780	1	Frame	
1010	1080293056		6.6 kV 50 Hz(3 ph) IEC IP55 MV Motor				1	Frame	
1010	1080294681		3 kV 50 Hz(3 ph) IEC IP 23 Motor			1614985100	2	Pin	
1010	1080294682		3.3 kV 50 Hz(3 ph) IEC IP 23 Motor		2012	0147155503	8	Bolt	
1010	1080294685		6 kV 50 Hz(3 ph) IEC IP 23 Motor		2013	0300027413	8	Washer	
1010	1080294686		6.6 kV 50 Hz(3 ph) IEC IP 23 Motor		2015	1621144800	1	Support	
1010	1080407751		2.3 kV 60 Hz(3 ph) CSA-UL IP 23 Motor		2016	1623887800	1	Stud	
1010	1080407752		3 kV 60 Hz(3 ph) CSA-UL IP 23 Motor		2018	0266211800	1	Nut	
1010	1080407753		3.3 kV 60 Hz (3 ph) CSA-UL IP 23 Motor		2030	1614636603	1	Antivibr.pad	
1010	1080407754		4.16 kV 60 Hz(3 ph) CSA-UL IP 23 Motor		2035	0147147503	4	Bolt	
1010	1080407755		6 kV 60 Hz(3 ph) CSA-UL IP 23 Motor		2040	0301237800	4	Washer	
1010	1080407756		6.6 kV 60 Hz(3 ph) IEC IP 23 Motor		2045	0147163003	1	Bolt	
			440-460 V 60 Hz (3 ph) Weg motor IEC Weg motor IEC With PT		2050	0301240500	1	Washer	
					2055	1621144900	2	Spacer	
					2060	0147149503	2	Bolt	
					2065	0301237800	2	Washer	
					2070	1623717400	1	Support	
					2071	0147163203	2	Bolt	
					2072	0301240500	2	Washer	
					2075	0147163003	2	Bolt	
					2080	0301240500	2	Washer	
					2085	1614636603	2	Antivibr.pad	
					2090	0147147503	8	Bolt	
					2095	0301237800	8	Washer	
					2100	1621144900	2	Spacer	
					2105	0147164603	2	Bolt	
					2110	0301240500	2	Washer	
					2120	0017207100	2	Cable	
					2125	1088001025	2	Cable lug	
					2130	0147136003	1	Bolt	
					2135	0147136003	1	Bolt	
					2140	0333323200	2	Lock washer	
					2145	0333323200	2	Lock washer	
					2150	0017207100	2	Cable	
					2155	1088001025	2	Cable lug	

26



73808

Frame & Motor GA 450 (W)

26

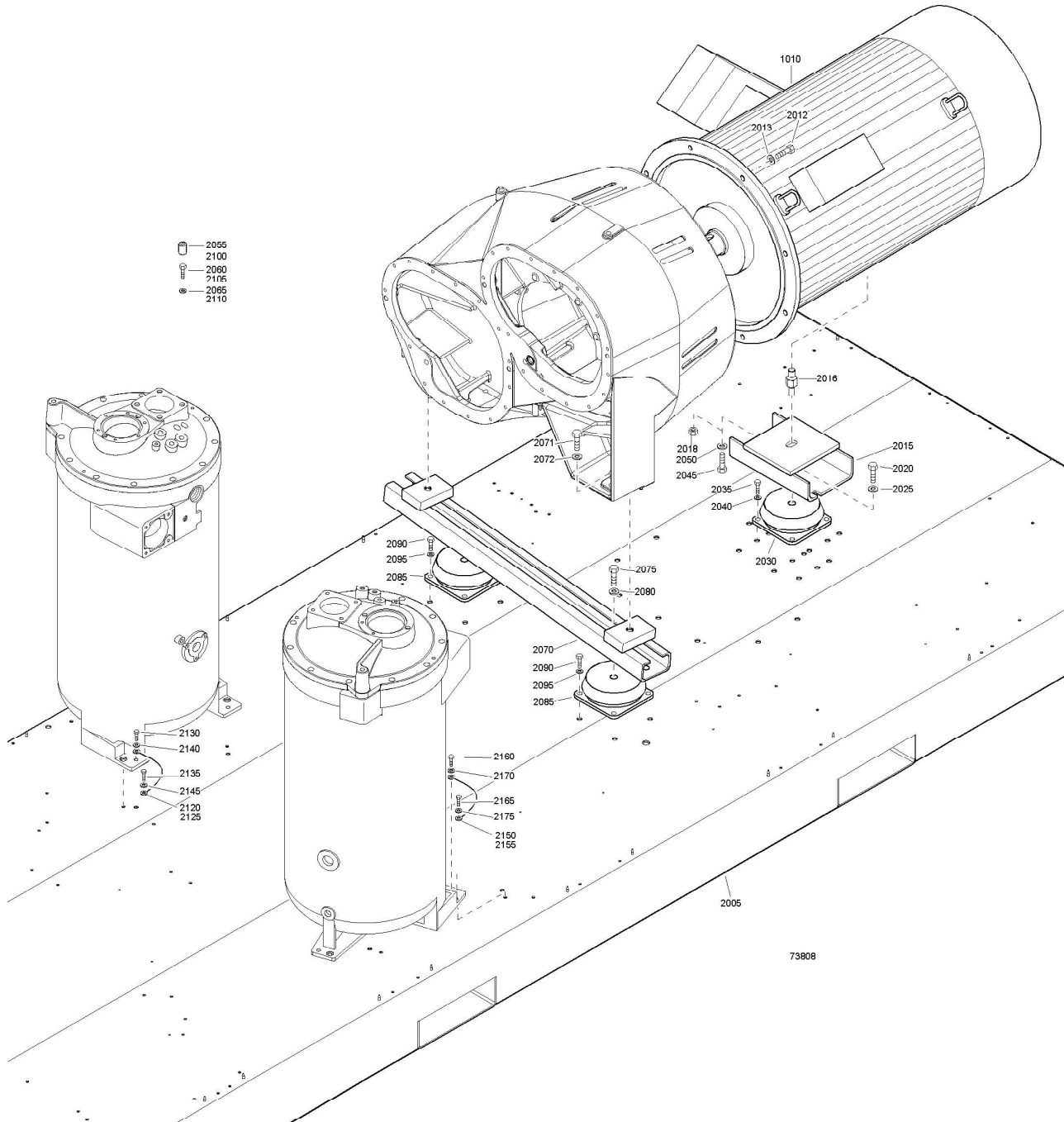
Ref.	Part number	Qty	Name	Remarks	Ref.	Part number	Qty	Name	Remarks
2160	0147 1360 03	1	Bolt		2040	0301 2378 00	4	Washer	
2165	0147 1360 03	1	Bolt		2045	0147 1962 86	1	Bolt	
2170	0333 3232 00	1	Lock washer		2050	0301 2434 00	1	Washer	
2175	0333 3232 00	1	Lock washer		2055	1621 1449 00	2	Spacer	
				Siemens motor IP 23	2060	0147 1495 03	2	Bolt	
2005	1621 1447 80	1	Frame		2065	0301 2378 00	2	Washer	
		• 1	Frame		2070	1623 7174 00	1	Support	
	1614 9851 00	• 2	Pin		2071	0147 1632 03	2	Bolt	
2012	0147 1555 03	8	Bolt		2072	0301 2405 00	2	Washer	
2013	0300 0274 13	8	Washer		2075	0147 1630 03	2	Bolt	
2015	1621 1450 00	1	Support		2080	0301 2405 00	2	Washer	
2020	0147 1630 03	1	Bolt		2085	1614 6366 03	2	Antivibr.pad	
2025	0301 2405 00	1	Washer		2090	0147 1475 03	8	Bolt	
2030	1614 6366 03	1	Antivibr.pad		2095	0301 2378 00	8	Washer	
2035	0147 1475 03	4	Bolt		2100	1621 1449 00	2	Spacer	
2040	0301 2378 00	4	Washer		2105	0147 1646 03	2	Bolt	
2045	0147 1962 86	1	Bolt		2110	0301 2405 00	2	Washer	
2050	0301 2434 00	1	Washer		2120	0017 2071 00	2	Cable	
2055	1621 1449 00	2	Spacer		2125	1088 0010 25	2	Cable lug	
2060	0147 1495 03	2	Bolt		2130	0147 1360 03	1	Bolt	
2065	0301 2378 00	2	Washer		2135	0147 1360 03	1	Bolt	
2070	1623 7174 00	1	Support		2140	0333 3232 00	1	Lock washer	
2071	0147 1632 03	2	Bolt		2145	0333 3232 00	1	Lock washer	
2072	0301 2405 00	2	Washer		2150	0017 2071 00	2	Cable	
2075	0147 1630 03	2	Bolt		2155	1088 0010 25	2	Cable lug	
2080	0301 2405 00	2	Washer		2160	0147 1360 03	1	Bolt	
2085	1614 6366 03	2	Antivibr.pad		2165	0147 1360 03	1	Bolt	
2090	0147 1475 03	8	Bolt		2170	0333 3232 00	1	Lock washer	
2095	0301 2378 00	8	Washer		2175	0333 3232 00	1	Lock washer	
2100	1621 1449 00	2	Spacer					Without main motor	
2105	0147 1646 03	2	Bolt		2005	1621 1447 80	1	Frame	
2110	0301 2405 00	2	Washer				• 1	Frame	
2120	0017 2071 00	2	Cable			1614 9851 00	• 2	Pin	
2125	1088 0010 25	2	Cable lug		2070	1623 7174 00	1	Support	
2130	0147 1360 03	1	Bolt		2071	0147 1632 03	2	Bolt	
2135	0147 1360 03	1	Bolt		2072	0301 2405 00	2	Washer	
2140	0333 3232 00	1	Lock washer		2075	0147 1630 03	2	Bolt	
2145	0333 3232 00	1	Lock washer		2080	0301 2405 00	2	Washer	
2150	0017 2071 00	2	Cable		2085	1614 6366 03	2	Antivibr.pad	
2155	1088 0010 25	2	Cable lug		2090	0147 1475 03	8	Bolt	
2160	0147 1360 03	1	Bolt		2095	0301 2378 00	8	Washer	
2165	0147 1360 03	1	Bolt		2100	1621 1449 00	2	Spacer	
2170	0333 3232 00	1	Lock washer		2105	0147 1646 03	2	Bolt	
2175	0333 3232 00	1	Lock washer		2110	0301 2405 00	2	Washer	
				Weg motor	2120	0017 2071 00	2	Cable	
				Siemens motor IP 55 MV	2125	1088 0010 25	2	Cable lug	
2005	1621 1447 80	1	Frame		2130	0147 1360 03	1	Bolt	
		• 1	Frame		2135	0147 1360 03	1	Bolt	
	1614 9851 00	• 2	Pin		2140	0333 3232 00	1	Lock washer	
2012	0147 1555 03	8	Bolt		2145	0333 3232 00	1	Lock washer	
2013	0300 0274 13	8	Washer		2150	0017 2071 00	2	Cable	
2015	1621 1451 00	1	Support		2155	1088 0010 25	2	Cable lug	
2020	0147 1630 03	1	Bolt		2160	0147 1360 03	1	Bolt	
2025	0301 2405 00	1	Washer		2165	0147 1360 03	1	Bolt	
2030	1614 6366 03	1	Antivibr.pad		2170	0333 3232 00	1	Lock washer	
2035	0147 1475 03	4	Bolt		2175	0333 3232 00	1	Lock washer	

Frame & Motor GA 500 (W)

27

Ref.	Part number	Qty	Name	Remarks	Ref.	Part number	Qty	Name	Remarks
1010	1080 2930 61		3 kV 50 Hz(3 ph) IEC IP 55 MV Motor					Frame Water cooled Siemens motor IP 23	
			3.3 kV 50 Hz(3 ph) IEC IP 55 MV		2005	1621 1447 80	1	Frame	
1010	1080 2930 62		Motor			1614 9851 00	• 1	Frame	
			6 kV 50 Hz(3 ph) IEC IP 55 MV		2012	0147 1555 03	• 2	Pin	
1010	1080 2930 65		Motor		2013	0300 0274 13	8	Bolt	
			6.6 kV 50 Hz(3 ph) IEC IP 55 MV		2015	1621 1450 00	1	Washer	
1010	1080 2930 66		Motor		2020	0147 1630 03	1	Support	
			2.3 kV 60 Hz(3 ph) CSA-UL IP 55 MV		2025	0301 2405 00	1	Bolt	
1010	1080 2930 71		Motor		2030	1614 6366 03	1	Washer	
			3 kV 60 Hz(3 ph) CSA-UL IP 55 MV		2035	0147 1475 03	4	Antivibr.pad	
1010	1080 2930 72		Motor		2040	0301 2378 00	4	Bolt	
			3.3 kV 60 Hz(3 ph) CSA-UL IP 55 MV		2045	0147 1962 86	1	Washer	
1010	1080 2930 73		Motor		2050	0301 2434 00	1	Bolt	
			4.16 kV 60 Hz(3 ph) CSA-UL IP 55 MV		2055	1621 1449 00	2	Spacer	
1010	1080 2930 74		Motor		2060	0147 1495 03	2	Washer	
			6 kV 60 Hz(3 ph) IEC IP 55 MV		2065	0301 2378 00	2	Bolt	
1010	1080 2930 75		Motor		2070	1623 7174 00	1	Support	
			6.6 kV 60 Hz(3 ph) IEC IP 55 MV		2071	0147 1632 03	2	Washer	
1010	1080 2930 76		Motor		2072	0301 2405 00	2	Bolt	
			3 kV 50 Hz(3 ph) IEC IP 23		2075	0147 1630 03	2	Washer	
1010	1080 2946 61		Motor		2080	0301 2405 00	2	Antivibr.pad	
			3.3 kV 50 Hz(3 ph) IEC IP 23		2085	1614 6366 03	2	Bolt	
1010	1080 2946 62		Motor		2090	0147 1475 03	8	Washer	
			6 kV 50 Hz(3 ph) IEC IP 23		2095	0301 2378 00	8	Spacer	
1010	1080 2946 65		Motor		2100	1621 1449 00	2	Bolt	
			6.6 kV 50 Hz(3 ph) IEC IP 24		2105	0147 1646 03	2	Washer	
1010	1080 2946 66		Motor		2110	0301 2405 00	2	Cable	
			2.3 kV 60 Hz(3 ph) CSA-UL IP 23		2120	0017 2071 00	2	Cable lug	
1010	1080 2946 71		Motor		2125	1088 0010 25	2	Bolt	
			3 kV 60 Hz(3 ph) CSA-UL IP 23		2130	0147 1360 03	1	Lock washer	
1010	1080 2946 72		Motor		2135	0147 1360 03	1	Lock washer	
			3.3 kV 60 Hz(3 ph) CSA-UL IP 23		2140	0333 3232 00	1	Cable	
1010	1080 2946 73		Motor		2145	0333 3232 00	2	Cable lug	
			4.16 kV 60 Hz(3 ph) CSA-UL IP 23		2150	0017 2071 00	2	Bolt	
1010	1080 2946 74		Motor		2155	1088 0010 25	1	Bolt	
			6 kV 60 Hz(3 ph) IEC IP 23		2160	0147 1360 03	1	Lock washer	
1010	1080 2946 75		Motor		2165	0147 1360 03	1	Lock washer	
			6.6 kV 60 Hz(3 ph) IEC IP 23		2170	0333 3232 00	1	Weg motor Siemens motor IP 55 MV	
1010	1080 2946 76		Motor		2175	0333 3232 00	1	Frame	
			3 kV 60 Hz(3 ph) CSA-UL IP 23			1614 9851 00	• 1	Frame	
1010	1080 2946 77		Motor			0147 1555 03	• 2	Pin	
			3.3 kV 60 Hz(3 ph) CSA-UL IP 23		2012	0300 0274 13	8	Bolt	
1010	1080 2946 78		Motor		2013	1621 1451 00	8	Washer	
			4.16 kV 60 Hz(3 ph) CSA-UL IP 23		2015	0147 1630 03	1	Support	
1010	1080 2946 79		Motor		2020	0147 1630 03	1	Bolt	
			2.3 kV 60 Hz(3 ph) CSA-UL IP 23		2025	0301 2405 00	1	Washer	
1010	1080 2946 80		Motor		2030	1614 6366 03	1	Antivibr.pad	
			6 kV 60 Hz(3 ph) IEC IP 23		2035	0147 1475 03	4	Bolt	
1010	1080 2946 81		Motor		2040	0301 2378 00	4	Washer	
			6.6 kV 60 Hz(3 ph) IEC IP 23		2045	0147 1962 86	1	Bolt	
1010	1080 2946 82		Motor		2050	0301 2434 00	1	Washer	
			3 kV 60 Hz(3 ph) IEC IP 23		2055	1621 1449 00	2	Spacer	
1010	1080 2946 83		Motor		2060	0147 1495 03	2	Bolt	
			6.6 kV 60 Hz(3 ph) IEC IP 23		2065	0301 2378 00	2	Washer	

27



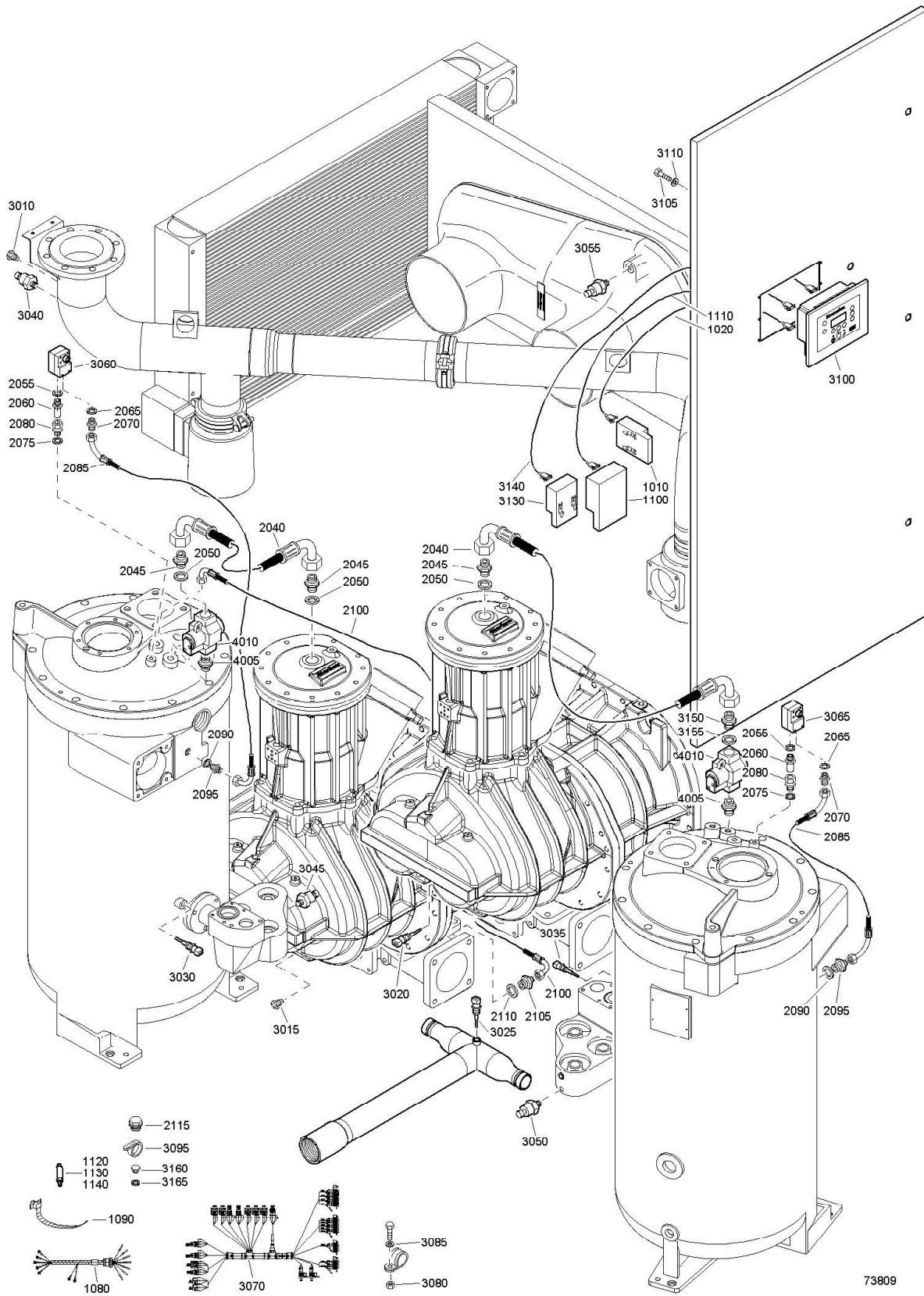
73808

Frame & Motor GA 500 (W)

27

Ref.	Partnumber	Qty	Name	Remarks	Ref.	Partnumber	Qty	Name	Remarks
2070	1623 7174 00	1	Support		2070	1623 7174 00	1	Support	
2071	0147 1632 03	2	Bolt		2071	0147 1632 03	2	Bolt	
2072	0301 2405 00	2	Washer		2072	0301 2405 00	2	Washer	
2075	0147 1630 03	2	Bolt		2075	0147 1630 03	2	Bolt	
2080	0301 2405 00	2	Washer		2080	0301 2405 00	2	Washer	
2085	1614 6366 03	2	Antivibr.pad		2085	1614 6366 03	2	Antivibr.pad	
2090	0147 1475 03	8	Bolt		2090	0147 1475 03	8	Bolt	
2095	0301 2378 00	8	Washer		2095	0301 2378 00	8	Washer	
2100	1621 1449 00	2	Spacer		2100	1621 1449 00	2	Spacer	
2105	0147 1646 03	2	Bolt		2105	0147 1646 03	2	Bolt	
2110	0301 2405 00	2	Washer		2110	0301 2405 00	2	Washer	
2120	0017 2071 00	2	Cable		2120	0017 2071 00	2	Cable	
2125	1088 0010 25	2	Cable lug		2125	1088 0010 25	2	Cable lug	
2130	0147 1360 03	1	Bolt		2130	0147 1360 03	1	Bolt	
2135	0147 1360 03	1	Bolt		2135	0147 1360 03	1	Bolt	
2140	0333 3232 00	1	Lock washer		2140	0333 3232 00	1	Lock washer	
2145	0333 3232 00	1	Lock washer		2145	0333 3232 00	1	Lock washer	
2150	0017 2071 00	2	Cable		2150	0017 2071 00	2	Cable	
2155	1088 0010 25	2	Cable lug		2155	1088 0010 25	2	Cable lug	
2160	0147 1360 03	1	Bolt		2160	0147 1360 03	1	Bolt	
2165	0147 1360 03	1	Bolt		2165	0147 1360 03	1	Bolt	
2170	0333 3232 00	1	Lock washer		2170	0333 3232 00	1	Lock washer	
2175	0333 3232 00	1	Lock washer		2175	0333 3232 00	1	Lock washer	
Without main motor									
2005	1621 1447 80	1	Frame						
		• 1	Frame						
	1614 9851 00	• 2	Pin						

28



73809

73809

Regulating System (A)

28

Ref.	Part number	Qty	Name	Remarks	Ref.	Part number	Qty	Name	Remarks		
1010	1900 0710 82	• 1	GA 315	With PT 1000s in the windings and bearings Anti-Condensation heaters	2090	0661 1000 24	1	Seal washer	Control System Air cooled		
			GA 355		2095	1079 5840 01	1	Nipple			
			GA 400		2100	0574 9917 14	1	Hose assembly			
			GA 450		2105	1619 5205 00	1	Nipple			
			GA 500		2110	0661 1000 25	1	Seal washer			
			Regulator		2115	0686 3716 07	1	Plug			
			3010		1089 0637 24	1	Switch temp.				
			3015		1089 0637 24	1	Switch temp.				
			3020		1089 0574 70	1	Sensor				
			3025		1089 0574 70	1	Sensor				
1020	1622 0661 02	1	Cable	Option Anti Condensation Heater in Motor	3030	1089 0574 70	1	Sensor			
			Control panel		3035	1089 0574 70	1	Sensor			
			1900 3151 04		1	Control panel	3040	1089 9625 13		1	Sensor press
			1900 3151 17		1	Control panel	3045	1089 9625 13		1	Sensor press
			1900 3151 02		1	Control panel	3050	1089 9625 13		1	Sensor press
					1	Control panel	3055	1089 9625 18		1	Sensor press
					1	Control panel	3060	1089 9625 01		1	Dp transducer
					1	Control panel	3065	1089 9625 01		1	Dp transducer
					1	Wire harness	3070	1623 8640 00		1	Wire harness
					1	Wire harness	3080	0266 2110 00		2	Hexagon nut
1080	1621 2355 00	1	Wire harness	3085	0301 2335 00	2	Plain washer	Regulator elektronikon iiid Without High Resolution Display With High Resolution display for Elektronikon MkIV			
1090	0348 0102 06	10	Cable tie	3095	0348 0102 08	17	Cable tie				
1100	1089 0457 77	1	Alarm unit	3100		1					
	1900 3151 15	1	Control panel		1900 0710 32	•					
1120	1089 0457 04	7	Shock transducer		1900 0712 92	•					
			IP 23 SPM monitoring equipment								
			IP 55 MV SPM monitoring equipment								
			Wire harness 1)	3105	0160 6039 00	4	Screw				
1080	1621 2355 00	1	Wire harness 1)	3110	0301 2315 00	4	Washer				
1090	0348 0102 06	1	Cable tie	3130	1900 0710 41	1	Regulator				
1100	1089 0457 77	1	Alarm unit	3140	1622 0661 04	1	Cable				
1110	1622 0661 02	1	Cable	3150	2250 4983 00	2	Nipple				
	1900 3151 15	1	Control panel	3155	0661 1000 30	2	Seal washer				
1130	1089 0457 04	6	Shock transducer	3160	0661 1000 26	2	Seal washer				
1140	1089 0457 64	1	Shock pulse transducer	3165	0686 3716 30	2	Plug				
			Regulating System								
2040	0574 9874 05	1	Hose assembly				10 bar				
2045	2250 4983 00	1	Nipple				10.4 bar				
2050	0661 1000 30	2	Seal washer				13 bar				
2055	0661 1000 24	1	Seal washer	4005	0603 4106 03	1	Hexagon nipple				
2060	1615 3624 00	1	Nozzle	4010	1621 4241 00	1	Valve				
2065	0661 1000 24	1	Seal washer				13.8 bar				
2070	1079 5840 01	1	Nipple								
2075	0661 1000 25	1	Seal washer	1)							
2080	0580 0400 03	1	Str.coupling		SPM vibration monitoring / SPM trillingskontrolle / SPM vibrationskontroll // Supervisión de vibraciones SPM / Monitoraggio delle vibrazioni SPM						
2085	0575 0361 18	1	Hose assembly								

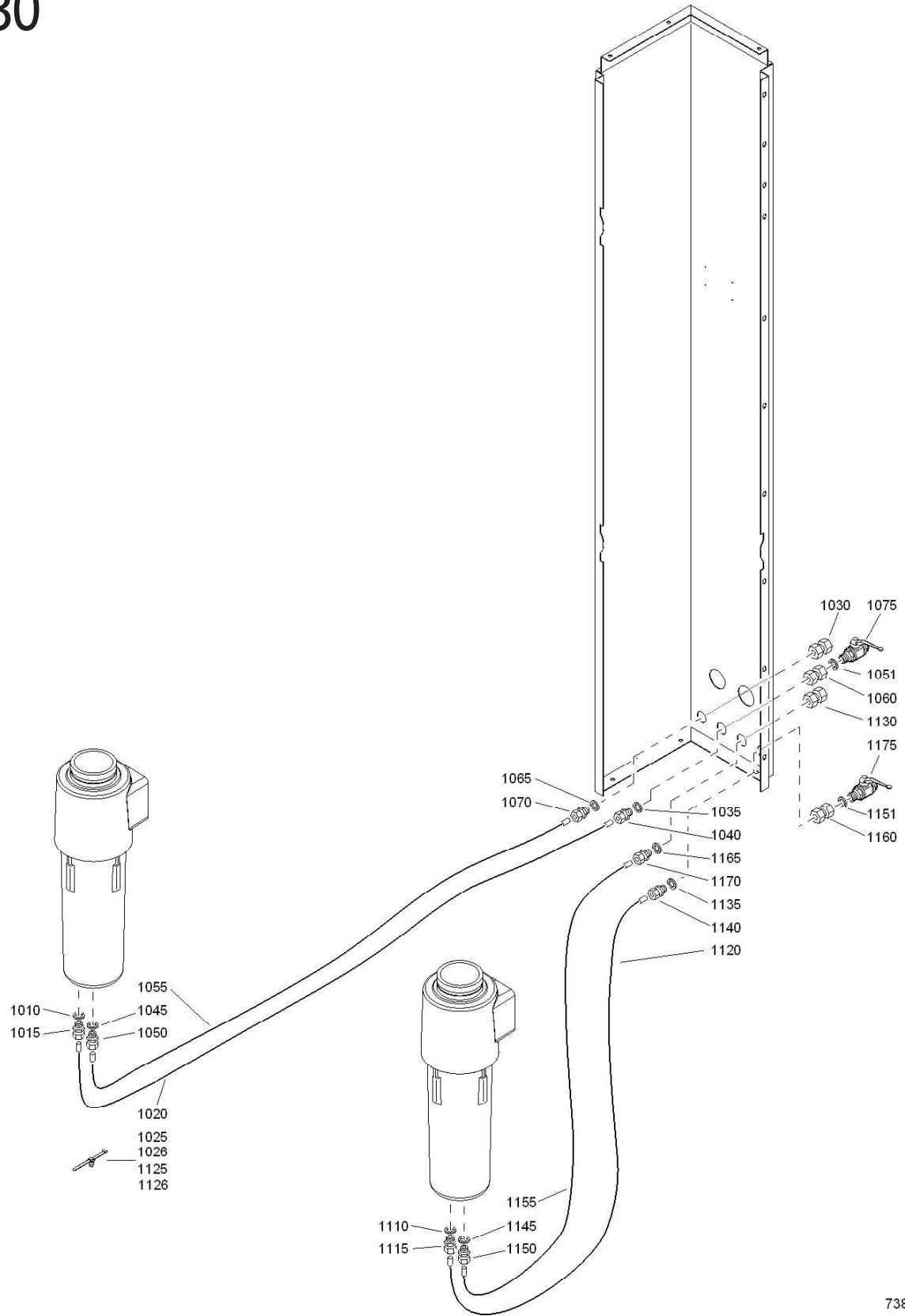
Regulating System (W)

29

Ref.	Part number	Qty	Name	Remarks	Ref.	Part number	Qty	Name	Remarks
			GA 315		2095	1079 5840 01	1	Nipple	
			GA 355		2100	0574 9917 14	1	Hose assembly	
			GA 400		2105	1619 5205 00	1	Nipple	
			GA 450		2110	0661 1000 25	1	Seal washer	
			GA 500		2115	0686 3716 07	1	Plug	
1010			Regulator					Control System	
	1900 0710 82	• 1	With PT 1000s in the windings and bearings Anti-CONDensation heaters		3010	1089 0637 24	1	Switch temp.	Water cooled
	1900 0710 62	• 1	With PT 100s in the windings Anti-CONDensation heaters		3015	1089 0637 24	1	Switch temp.	
					3020	1089 0574 70	1	Sensor	
					3025	1089 0574 70	1	Sensor	
					3030	1089 0574 70	1	Sensor	
1020	1622 0661 02	1	Cable		3035	1089 0574 70	1	Sensor	
			Option Anti Condensation Heater in Motor		3040	1089 9625 13	1	Sensor press	
	1900 3151 04	1	Control panel		3045	1089 9625 13	1	Sensor press	
			With PT 1000 Options In Windings		3050	1089 9625 13	1	Sensor press	
	1900 3151 17	1	Control panel		3055	1089 9625 18	1	Sensor press	
	1900 3151 02	1	Control panel		3060	1089 9625 01	1	Dp transducer	
			IP 55 SPM monitoring equipment		3065	1089 9625 01	1	Dp transducer	
1080	1621 2355 00	1	Wire harness 1)		3070	1623 1438 00	1	Wire harness	
1090	0348 0102 06	10	Cable tie		3080	0266 2110 00	2	Hexagon nut	
1100	1089 0457 77	1	Alarm unit		3085	0301 2335 00	2	Plain washer	
1110	1622 0661 02	1	Cable		3095	0348 0102 08	14	Cable tie	
	1900 3151 15	1	Control panel		3100		1	Regulator elektronikon	
1120	1089 0457 04	7	Shock transducer			1900 0710 32	•	Without High Resolution Display	
			IP 23 SPM monitoring equipment			0160 6039 00	•	High Resolution display for Elektronikon MkIV	
			IP 55 MV SPM monitoring equipment		3105	0160 6039 00	4	Screw	
					3110	0301 2315 00	4	Washer	
					3130	1900 0710 41	1	Regulator	
					3140	1622 0661 04	1	Cable	
1080	1621 2355 00	1	Wire harness		3150	2250 4983 00	2	Nipple	
1090	0348 0102 06	1	Cable tie		3155	0661 1000 30	2	Seal washer	
1100	1089 0457 77	1	Alarm unit					Without High Resolution Display	
1110	1622 0661 02	1	Cable					Display	
	1900 3151 15	1	Control panel		3160	0661 1000 26	2	Seal washer	
1130	1089 0457 04	6	Shock transducer		3165	0686 3716 30	2	Plug	
1140	1089 0457 64	1	Shock pulse transducer					10 bar	
			Regulating System					10.4 bar	
2040	0574 9874 05	1	Hose assembly					13 bar	
2045	2250 4983 00	1	Nipple					13.8 bar	
2050	0661 1000 30	2	Seal washer		4005	0603 4106 03	1	Hexagon nipple	
2055	0661 1000 24	1	Seal washer		4010	1621 4241 00	1	Valve	
2060	1615 3624 00	1	Nozzle						
2065	0661 1000 24	1	Seal washer						
2070	1079 5840 01	1	Nipple						
2075	0661 1000 25	1	Seal washer						
2080	0580 0400 03	1	Str.coupling						
2085	0575 0361 18	1	Hose assembly						
2090	0661 1000 24	1	Seal washer						

1) SPM vibration monitoring / SPM trillingskshahahaontrolle / SPM vibrationskontroll / SPM Vibrationsüberwachung / Contrôle de vibrations SPM / Supervisión de vibraciones SPM / Monitoraggio delle vibrazioni SPM

30



73801

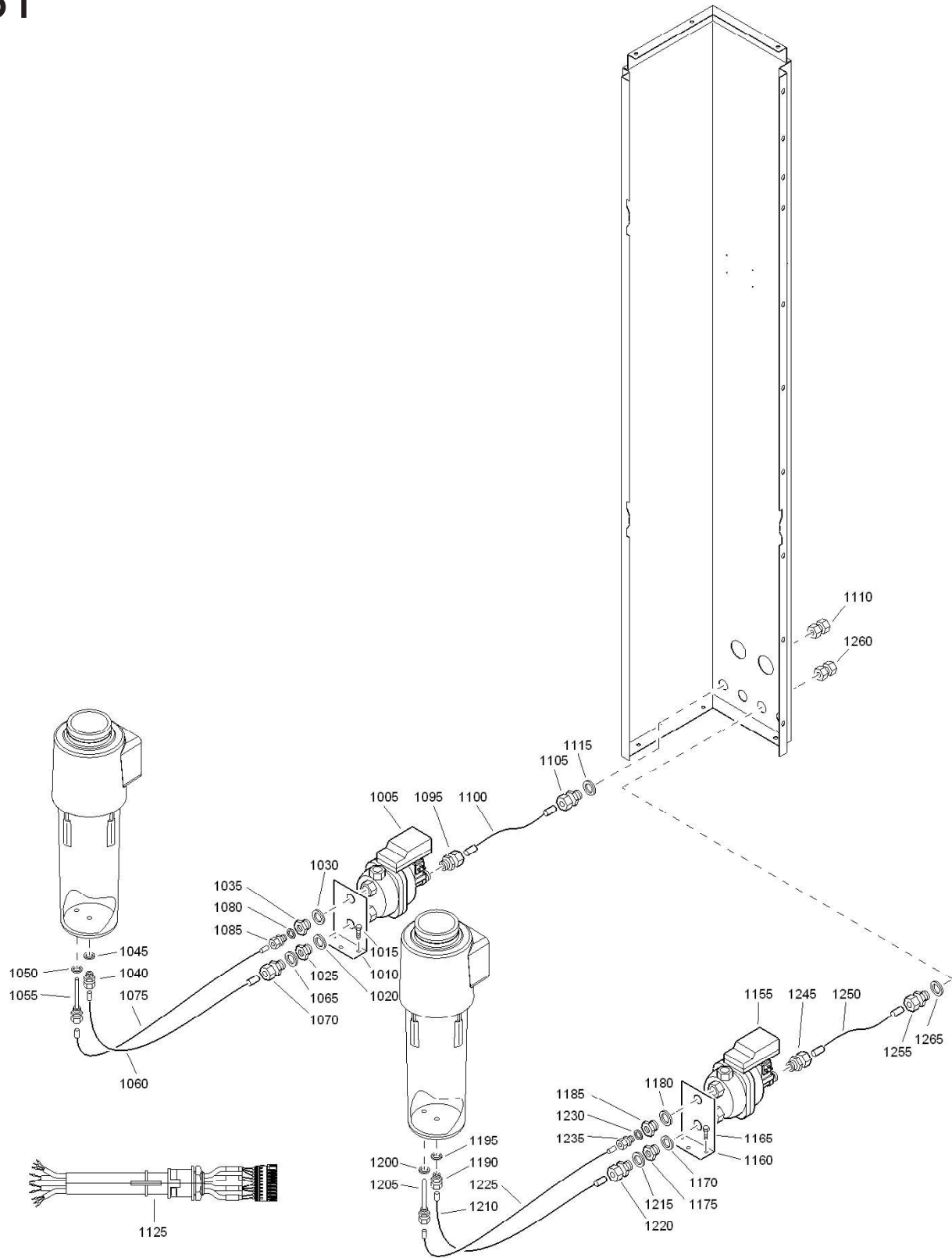
73801

Drains - Basic

30

Ref.	Part number	Qty	Name	Remarks	Ref.	Part number	Qty	Name	Remarks
Water cooled Without Electronic condensate drain Without OSD					Air cooled Without Electronic condensate drain Without OSD				
1010	0661 1000 25	1	Seal washer		1010	0661 1000 25	1	Seal washer	
1015	0581 0000 45	1	Pipe coupling		1015	0581 0000 45	1	Pipe coupling	
1020	0070 6002 06	AR	Plastic tube		1020	0070 6002 06	AR	Plastic tube	
1025	0348 0102 08	1	Cable tie		1025	0348 0102 08	1	Cable tie	
1026	0348 0102 08	1	Cable tie		1026	0348 0102 08	1	Cable tie	
1030	0581 0000 86	1	Pipe coupling		1030	0581 0000 86	1	Pipe coupling	
1035	0653 1124 00	1	Flat gasket		1035	0653 1124 00	1	Flat gasket	
1040	0581 0000 53	1	Pipe coupling		1040	0581 0000 53	1	Pipe coupling	
1045	0653 1062 00	1	Flat gasket		1045	0653 1062 00	1	Flat gasket	
1050	0581 0000 45	1	Pipe coupling		1050	0581 0000 45	1	Pipe coupling	
1051	0661 1000 25	1	Seal washer		1051	0661 1000 25	1	Seal washer	
1055	0070 6002 06	AR	Plastic tube		1055	0070 6002 06	AR	Plastic tube	
1060	0581 0000 86	1	Pipe coupling		1060	0581 0000 86	1	Pipe coupling	
1065	0653 1124 00	1	Flat gasket		1065	0653 1124 00	1	Flat gasket	
1070	0581 0000 53	1	Pipe coupling		1070	0581 0000 53	1	Pipe coupling	
1075	0852 0010 33	1	Ball valve		1075	0852 0010 33	1	Ball valve	
1110	0661 1000 25	1	Seal washer		1110	0661 1000 25	1	Seal washer	
1115	0581 0000 45	1	Pipe coupling		1115	0581 0000 45	1	Pipe coupling	
1120	0070 6002 06	AR	Plastic tube		1120	0070 6002 06	AR	Plastic tube	
1125	0348 0102 08	1	Cable tie		1125	0348 0102 08	1	Cable tie	
1126	0348 0102 08	1	Cable tie		1126	0348 0102 08	1	Cable tie	
1130	0581 0000 86	1	Pipe coupling		1130	0581 0000 86	1	Pipe coupling	
1135	0653 1124 00	1	Flat gasket		1135	0653 1124 00	1	Flat gasket	
1140	0581 0000 53	1	Pipe coupling		1140	0581 0000 53	1	Pipe coupling	
1145	0653 1062 00	1	Flat gasket		1145	0653 1062 00	1	Flat gasket	
1150	0581 0000 45	1	Pipe coupling		1150	0581 0000 45	1	Pipe coupling	
1151	0661 1000 25	1	Seal washer		1151	0661 1000 25	1	Seal washer	
1155	0070 6002 06	AR	Plastic tube		1155	0070 6002 06	AR	Plastic tube	
1160	0581 0000 86	1	Pipe coupling		1160	0581 0000 86	1	Pipe coupling	
1165	0653 1124 00	1	Flat gasket		1165	0653 1124 00	1	Flat gasket	
1170	0581 0000 53	1	Pipe coupling		1170	0581 0000 53	1	Pipe coupling	
1175	0852 0010 33	1	Ball valve		1175	0852 0010 33	1	Ball valve	

31



73802

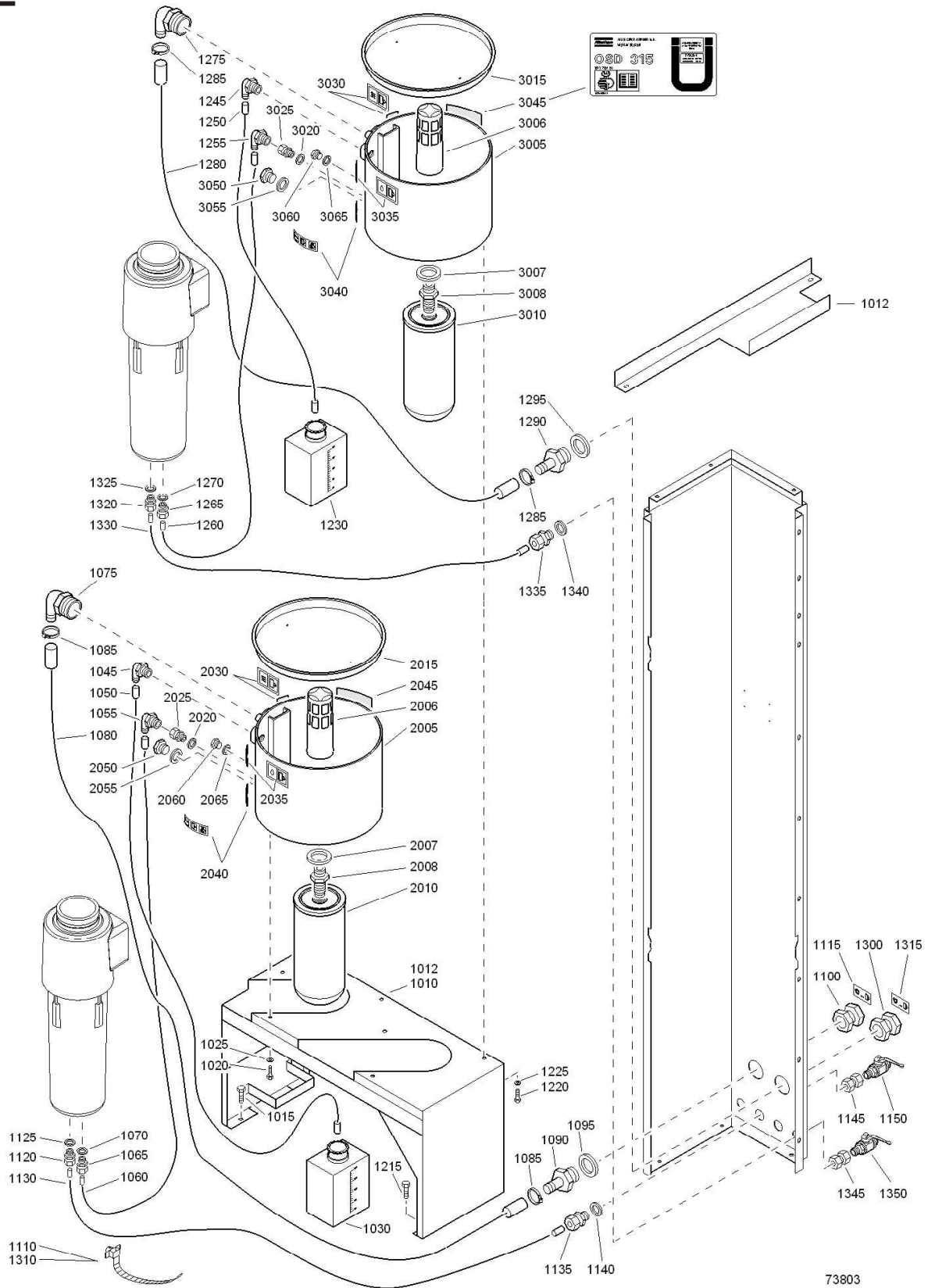
73802

Drains - EWD

31

Ref.	Part number	Qty	Name	Remarks	Ref.	Part number	Qty	Name	Remarks
			Water cooled		1025	0605 8700 84	1	Bushing	
1005		1	Drain valve		1030	0661 1000 29	1	Seal washer	
	8102 0425 80		IEC		1035	0605 8820 05	1	Bushing	
	8102 0425 98		CSA-UL		1040	0581 0000 71	1	Pipe coupling	
1010	1617 1768 00	1	Support		1045	0661 1000 27	1	Seal washer	
1015	1619 2766 00	3	Bolt		1050	0661 1000 25	1	Seal washer	
1020	0661 1000 29	1	Seal washer		1055	1613 8084 00	1	Pipe coupling	
1025	0605 8700 84	1	Bushing		1060	0070 6002 13	AR	Plastic tube	
1030	0661 1000 29	1	Seal washer		1065	0661 1000 27	1	Seal washer	
1035	0605 8820 05	1	Bushing		1070	0581 0000 71	1	Pipe coupling	
1040	0581 0000 71	1	Pipe coupling		1075	0070 6002 05	AR	Plastic tube	
1045	0661 1000 27	1	Seal washer		1080	0661 1000 25	1	Seal washer	
1050	0661 1000 25	1	Seal washer		1085	0581 0000 35	1	Pipe coupling	
1055	1613 8084 00	1	Pipe coupling		1095	0581 0001 04	1	Pipe coupling	
1060	0070 6002 13	AR	Plastic tube		1100	0070 6002 13	AR	Plastic tube	
1065	0661 1000 27	1	Seal washer		1105	0581 0000 71	1	Pipe coupling	
1070	0581 0000 71	1	Pipe coupling		1110	0581 0000 86	1	Pipe coupling	
1075	0070 6002 05	AR	Plastic tube		1115	0661 1000 27	1	Seal washer	
1080	0661 1000 25	1	Seal washer		1120	0686 9252 58	1	Protection plug	
1085	0581 0000 35	1	Pipe coupling		1125	1623 7050 00	1	Wiring	
1095	0581 0001 04	1	Pipe coupling		1155		1	Drain valve	
1100	0070 6002 13	AR	Plastic tube			8102 0425 80		IEC	
1105	0581 0000 71	1	Pipe coupling			8103 0425 98		CSA-UL	
1110	0581 0000 86	1	Pipe coupling		1160	1617 1768 00	1	Support	
1115	0661 1000 27	1	Seal washer		1165	1619 2766 00	3	Bolt	
1125	1623 7050 00	1	Wiring		1170	0661 1000 29	1	Seal washer	
1155		1	Drain valve		1175	0605 8700 84	1	Bushing	
	8102 0425 80		IEC		1180	0661 1000 29	1	Seal washer	
	8102 0425 98		CSA-UL		1185	0605 8820 05	1	Bushing	
1160	1617 1768 00	1	Support		1190	0581 0000 71	1	Pipe coupling	
1165	1619 2766 00	3	Bolt		1195	0661 1000 27	1	Seal washer	
1170	0661 1000 29	1	Seal washer		1200	0661 1000 25	1	Seal washer	
1175	0605 8700 84	1	Bushing		1205	1613 8084 00	1	Pipe coupling	
1180	0661 1000 29	1	Seal washer		1210	0070 6002 13	AR	Plastic tube	
1185	0605 8820 05	1	Bushing		1215	0661 1000 27	1	Seal washer	
1190	0581 0000 71	1	Pipe coupling		1220	0581 0000 71	1	Pipe coupling	
1195	0661 1000 27	1	Seal washer		1225	0070 6002 05	AR	Plastic tube	
1200	0661 1000 25	1	Seal washer		1230	0661 1000 25	1	Seal washer	
1205	1613 8084 00	1	Pipe coupling		1235	0581 0000 35	1	Pipe coupling	
1210	0070 6002 13	AR	Plastic tube		1245	0581 0001 04	1	Pipe coupling	
1215	0661 1000 27	1	Seal washer		1250	0070 6002 13	AR	Plastic tube	
1220	0581 0000 71	1	Pipe coupling		1255	0581 0000 71	1	Pipe coupling	
1225	0070 6002 05	AR	Plastic tube		1260	0581 0000 86	1	Pipe coupling	
1230	0661 1000 25	1	Seal washer		1265	0661 1000 27	1	Seal washer	
1235	0581 0000 35	1	Pipe coupling		1195	0661 1000 27	1	Seal washer	
1245	0581 0001 04	1	Pipe coupling		1200	0661 1000 25	1	Seal washer	
1250	0070 6002 13	AR	Plastic tube		1205	1613 8084 00	1	Pipe coupling	
1255	0581 0000 71	1	Pipe coupling		1210	0070 6002 13	AR	Plastic tube	
1260	0581 0000 86	1	Pipe coupling		1215	0661 1000 27	1	Seal washer	
1265	0661 1000 27	1	Seal washer		1220	0581 0000 71	1	Pipe coupling	
			Air cooled		1225	0070 6002 05	AR	Plastic tube	
1005		1	Drain valve		1230	0661 1000 25	1	Seal washer	
	8102 0425 80		IEC		1235	0581 0000 35	1	Pipe coupling	
	8102 0425 98		CSA-UL Electronic condensate drain		1245	0581 0001 04	1	Pipe coupling	
1010	1617 1768 00	1	Support		1250	0070 6002 13	AR	Plastic tube	
1015	1619 2766 00	3	Bolt		1255	0581 0000 71	1	Pipe coupling	
1020	0661 1000 29	1	Seal washer		1260	0581 0000 86	1	Pipe coupling	
					1265	0661 1000 27	1	Seal washer	

32



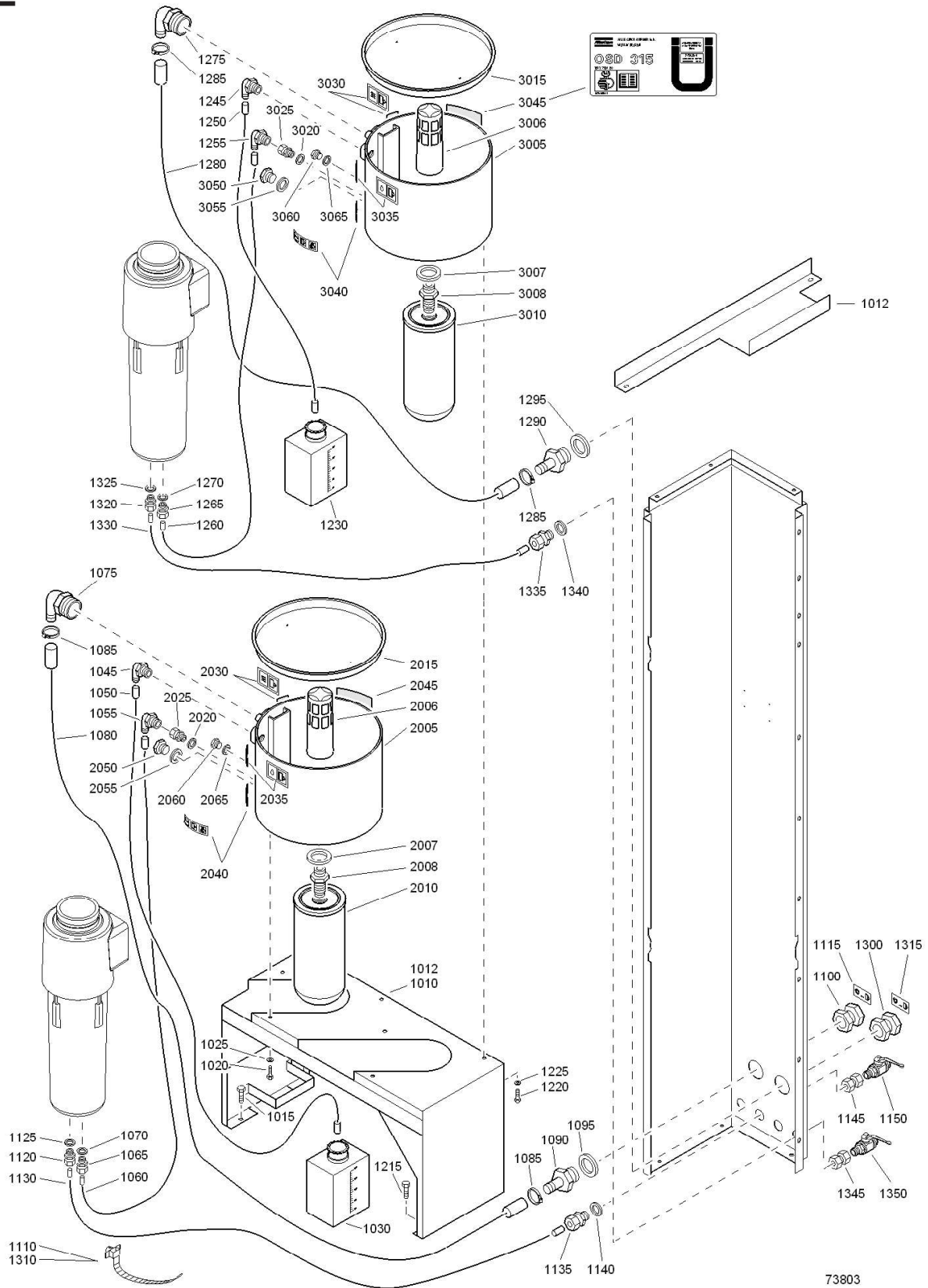
73803

Drains - OSD

32

Ref.	Part number	Qty	Name	Remarks	Ref.	Part number	Qty	Name	Remarks
			Water cooled		2015	1614 9707 00	1	Cover	
			IP 23 Integrated oil/water separator drain (OSD)		2020	0661 1000 25	1	Seal washer	
			IP 55 MV Integrated oil/water separator drain (OSD)		2025	1614 9363 00	1	Pipe coupling	
					2030	1079 9913 69	1	Inform.label	
					2035	1079 9912 28	1	Information label	
1010	1621 2303 00	1	Support		2040	1079 9912 07	1	Information label	
1012	1621 7892 00	1	Support		2045	1079 9920 17	1	Information label	
1015	1619 2766 00	4	Bolt		2050	0686 3716 45	1	Hexagon plug	
1020	0147 1322 03	3	Bolt		2055	0661 1000 27	1	Seal washer	
1025	0301 2335 00	3	Plain washer		2060	0686 3716 44	1	Hexagon plug	
1030	1623 0030 00	1	Can		2065	0661 1000 25	1	Seal washer	
1045	1613 7335 00	1	Hose nipple		3005	1614 9351 00	1	Housing	
1050	0070 6002 14	15	Flexible		3006	1613 7299 00	1	Strainer	
1055	0560 0200 61	1	Elbow		3007	9125 6295 00	1	Seal washer	
1060	0070 6002 03	AR	Flexible		3008	1613 7297 00	1	Check valve	
1065	0581 0000 35	1	Pipe coupling		3010	1614 9352 00	1	Oil filter	
1070	0661 1000 25	2	Seal washer		3015	1614 9707 00	1	Cover	
1075	1614 9706 00	1	Hose nipple		3020	0661 1000 25	1	Seal washer	
1080	0070 6002 65	AR	Plastic tube		3025	1614 9363 00	1	Pipe coupling	
1085	0347 6110 00	2	Hose clip		3030	1079 9913 69	1	Inform.label	
1090	1614 9876 00	1	Nipple		3035	1079 9912 28	1	Information label	
1095	0661 1000 31	1	Seal washer		3040	1079 9912 07	1	Information label	
1100	1614 9881 00	1	Bushing		3045	1079 9920 17	1	Information label	
1110	0348 0102 06	4	Cable tie		3050	0686 3716 45	1	Hexagon plug	
1115	1079 9910 97	1	Label		3055	0661 1000 27	1	Seal washer	
1120	0581 0000 45	1	Pipe coupling		3060	0686 3716 44	1	Hexagon plug	
1125	0661 1000 25	1	Seal washer		3065	0661 1000 25	1	Seal washer	
1130	0070 6002 06	AR	Plastic tube					IP 55 Integrated oil/water separator drain (OSD)	
1135	0581 0000 53	1	Pipe coupling		1010	1621 2303 00	1	Support	
1140	0653 1124 00	1	Flat gasket		1012	1621 7892 00	1	Support	
1145	0581 0000 86	1	Pipe coupling		1015	1619 2766 00	4	Bolt	
1150	0852 0010 33	1	Ball valve		1020	0147 1322 03	3	Bolt	
1215	1619 2766 00	4	Bolt		1025	0301 2335 00	3	Plain washer	
1220	0147 1322 03	3	Bolt		1030	1623 0030 00	1	Can	
1225	0301 2335 00	3	Plain washer		1045	1613 7335 00	1	Hose nipple	
1230	1623 0030 00	1	Can		1050	0070 6002 14	AR	Flexible	
1245	1613 7335 00	1	Hose nipple		1055	0560 0200 61	1	Elbow	
1250	0070 6002 14	AR	Flexible		1060	0070 6002 03	AR	Flexible	
1255	0560 0200 61	1	Elbow		1065	0581 0000 35	1	Pipe coupling	
1260	0070 6002 03	AR	Flexible		1070	0661 1000 25	2	Seal washer	
1265	0581 0000 35	1	Pipe coupling		1075	1614 9706 00	1	Hose nipple	
1270	0661 1000 25	2	Seal washer		1080	0070 6002 28	AR	Plastic tube	
1275	1614 9706 00	1	Hose nipple		1085	0347 6110 00	2	Hose clip	
1280	0070 6002 65	AR	Plastic tube		1090	1614 9876 00	1	Nipple	
1285	0347 6110 00	2	Hose clip		1095	0661 1000 31	1	Seal washer	
1290	1614 9876 00	1	Nipple		1100	1614 9881 00	1	Bushing	
1295	0661 1000 31	1	Seal washer		1110	0348 0102 06	4	Cable tie	
1300	1614 9881 00	1	Bushing		1115	1079 9910 97	1	Label	
1310	0348 0102 06	4	Cable tie		1120	0581 0000 45	1	Pipe coupling	
1315	1079 9910 97	1	Label		1125	0661 1000 25	1	Seal washer	
1320	0581 0000 45	1	Pipe coupling		1130	0070 6002 06	AR	Plastic tube	
1325	0661 1000 25	1	Seal washer		1135	0581 0000 53	1	Pipe coupling	
1330	0070 6002 06	AR	Plastic tube		1140	0653 1124 00	1	Flat gasket	
1335	0581 0000 53	1	Pipe coupling		1145	0581 0000 86	1	Pipe coupling	
1340	0653 1124 00	1	Flat gasket		1150	0852 0010 33	1	Ball valve	
1345	0581 0000 86	1	Pipe coupling		1215	1619 2766 00	4	Bolt	
1350	0852 0010 33	1	Ball valve		1220	0147 1322 03	3	Bolt	
1355	0686 9130 00	1	Protecting plug		1225	0301 2335 00	3	Plain washer	
1360	0686 9252 58	1	Protection plug		1230	1623 0030 00	1	Can	
2005	1614 9351 00	1	Housing		1245	1613 7335 00	1	Hose nipple	
2006	1613 7299 00	1	Strainer		1250	0070 6002 14	AR	Flexible	
2007	9125 6295 00	1	Seal washer		1255	0560 0200 61	1	Elbow	
2008	1613 7297 00	1	Check valve		1260	0070 6002 03	AR	Flexible	
2010	1614 9352 00	1	Oil filter						

32



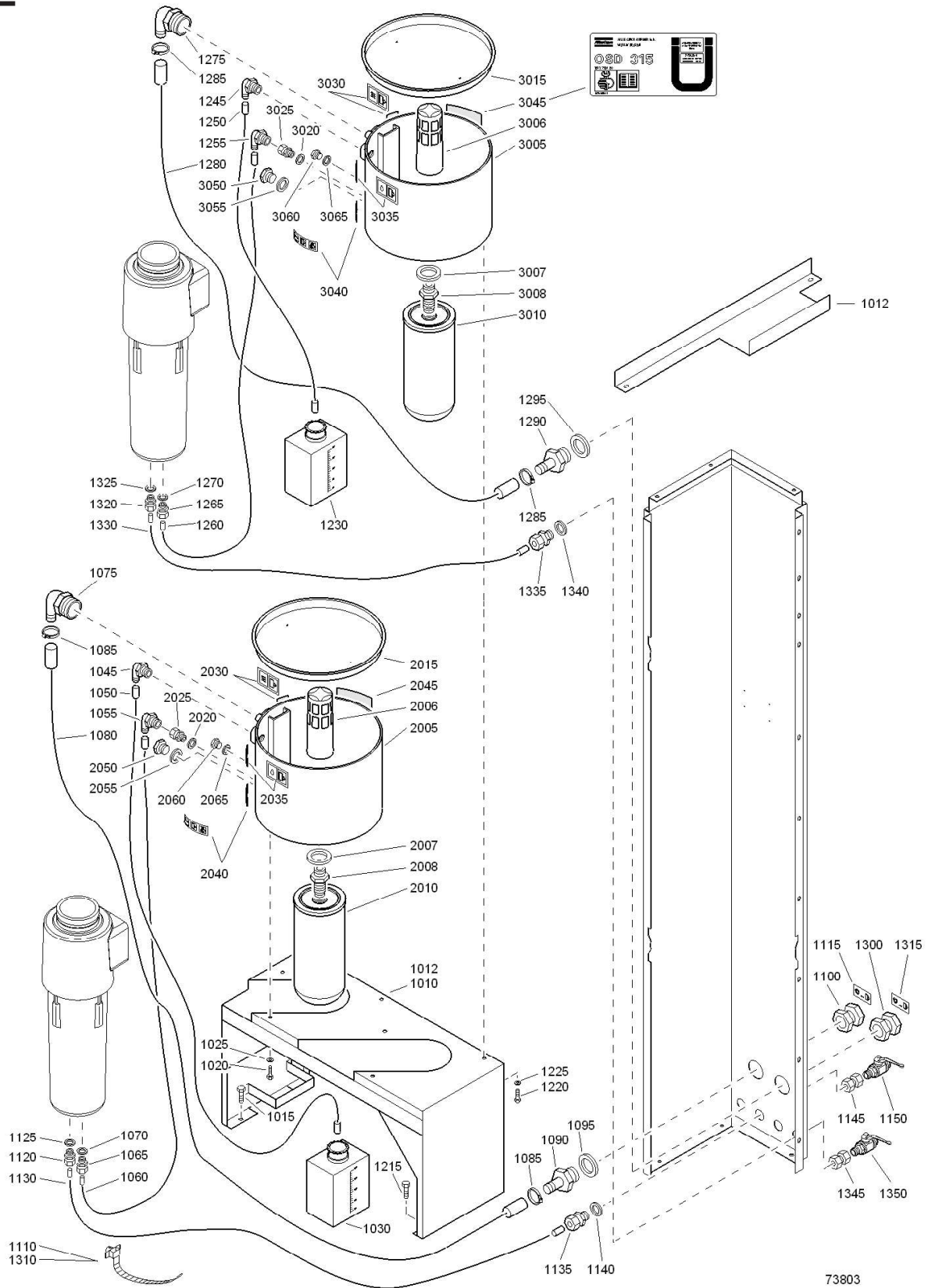
73803

Drains - OSD

32

Ref.	Part number	Qty	Name	Remarks	Ref.	Part number	Qty	Name	Remarks
1265	0581 0000 35	1	Pipe coupling		1065	0581 0000 35	1	Pipe coupling	
1270	0661 1000 25	2	Seal washer		1070	0661 1000 25	2	Seal washer	
1275	1614 9706 00	1	Hose nipple		1075	1614 9706 00	1	Hose nipple	
1280	0070 6002 65	AR	Plastic tube		1080	0070 6002 65	AR	Plastic tube	
1285	0347 6110 00	2	Hose clip		1085	0347 6110 00	2	Hose clip	
1290	1614 9876 00	1	Nipple		1090	1614 9876 00	1	Nipple	
1295	0661 1000 31	1	Seal washer		1095	0661 1000 31	1	Seal washer	
1300	1614 9881 00	1	Bushing		1100	1614 9881 00	1	Bushing	
1310	0348 0102 06	4	Cable tie		1110	0348 0102 06	4	Cable tie	
1315	1079 9910 97	1	Label		1115	1079 9910 97	1	Label	
1320	0581 0000 45	1	Pipe coupling		1120	0581 0000 45	1	Pipe coupling	
1325	0661 1000 25	1	Seal washer		1125	0661 1000 25	1	Seal washer	
1330	0070 6002 06	AR	Plastic tube		1130	0070 6002 06	AR	Plastic tube	
1335	0581 0000 53	1	Pipe coupling		1135	0581 0000 53	1	Pipe coupling	
1340	0653 1124 00	1	Flat gasket		1140	0653 1124 00	1	Flat gasket	
1345	0581 0000 86	1	Pipe coupling		1145	0581 0000 86	1	Pipe coupling	
1350	0852 0010 33	1	Ball valve		1150	0852 0010 33	1	Ball valve	
2005	1614 9351 00	1	Housing		1215	1619 2766 00	4	Bolt	
2006	1613 7299 00	1	Strainer		1220	0147 1322 03	3	Bolt	
2007	9125 6295 00	1	Seal washer		1225	0301 2335 00	3	Plain washer	
2008	1613 7297 00	1	Check valve		1230	1623 0030 00	1	Can	
2010	1614 9352 00	1	Oil filter		1245	1613 7335 00	1	Hose nipple	
2015	1614 9707 00	1	Cover		1250	0070 6002 14	AR	Flexible	
2020	0661 1000 25	1	Seal washer		1255	0560 0200 61	1	Elbow	
2025	1614 9363 00	1	Pipe coupling		1260	0070 6002 03	AR	Flexible	
2030	1079 9913 69	1	Inform.label		1265	0581 0000 35	1	Pipe coupling	
2035	1079 9912 28	1	Information label		1270	0661 1000 25	2	Seal washer	
2040	1079 9912 07	1	Information label		1275	1614 9706 00	1	Hose nipple	
2045	1079 9920 17	1	Information label		1280	0070 6002 65	AR	Plastic tube	
2050	0686 3716 45	1	Hexagon plug		1285	0347 6110 00	2	Hose clip	
2055	0661 1000 27	1	Seal washer		1290	1614 9876 00	1	Nipple	
2060	0686 3716 44	1	Hexagon plug		1295	0661 1000 31	1	Seal washer	
2065	0661 1000 25	1	Seal washer		1300	1614 9881 00	1	Bushing	
3005	1614 9351 00	1	Housing		1310	0348 0102 06	4	Cable tie	
3006	1613 7299 00	1	Strainer		1315	1079 9910 97	1	Label	
3007	9125 6295 00	1	Seal washer		1320	0581 0000 45	1	Pipe coupling	
3008	1613 7297 00	1	Check valve		1325	0661 1000 25	1	Seal washer	
3010	1614 9352 00	1	Oil filter		1330	0070 6002 06	AR	Plastic tube	
3015	1614 9707 00	1	Cover		1335	0581 0000 53	1	Pipe coupling	
3020	0661 1000 25	1	Seal washer		1340	0653 1124 00	1	Flat gasket	
3025	1614 9363 00	1	Pipe coupling		1345	0581 0000 86	1	Pipe coupling	
3030	1079 9913 69	1	Inform.label		1350	0852 0010 33	1	Ball valve	
3035	1079 9912 28	1	Information label		2005	1614 9351 00	1	Housing	
3040	1079 9912 07	1	Information label		2006	1613 7299 00	1	Strainer	
3045	1079 9920 17	1	Information label		2007	9125 6295 00	1	Seal washer	
3050	0686 3716 45	1	Hexagon plug		2008	1613 7297 00	1	Check valve	
3055	0661 1000 27	1	Seal washer		2010	1614 9352 00	1	Oil filter	
3060	0686 3716 44	1	Hexagon plug		2015	1614 9707 00	1	Cover	
3065	0661 1000 25	1	Seal washer		2020	0661 1000 25	1	Seal washer	
			Air cooled		2025	1614 9363 00	1	Pipe coupling	
			IP 23 Integrated oil/water separator drain (OSD)		2030	1079 9913 69	1	Inform.label	
			IP 55 MV Integrated oil/water separator drain (OSD)		2035	1079 9912 28	1	Information label	
					2040	1079 9912 07	1	Information label	
					2045	1079 9920 17	1	Information label	
1010	1621 2303 00	1	Support		2050	0686 3716 45	1	Hexagon plug	
1012	1621 7892 00	1	Support		2055	0661 1000 27	1	Seal washer	
1015	1619 2766 00	4	Bolt		2060	0686 3716 44	1	Hexagon plug	
1020	0147 1322 03	3	Bolt		2065	0661 1000 25	1	Seal washer	
1025	0301 2335 00	3	Plain washer		3005	1614 9351 00	1	Housing	
1030	1623 0030 00	1	Can		3006	1613 7299 00	1	Strainer	
1045	1613 7335 00	1	Hose nipple		3007	9125 6295 00	1	Seal washer	
1050	0070 6002 14	AR	Flexible		3008	1613 7297 00	1	Check valve	
1055	0560 0200 61	1	Elbow		3010	1614 9352 00	1	Oil filter	
1060	0070 6002 03	AR	Flexible		3015	1614 9707 00	1	Cover	

32



73803

Drains - OSD**32**

Ref.	Part number	Qty	Name	Remarks	Ref.	Part number	Qty	Name	Remarks
3020	0661 1000 25	1	Seal washer		3045	1079 9920 17	1	Information label	
3025	1614 9363 00	1	Pipe coupling		3050	0686 3716 45	1	Hexagon plug	
3030	1079 9913 69	1	Inform.label		3055	0661 1000 27	1	Seal washer	
3035	1079 9912 28	1	Information label		3060	0686 3716 44	1	Hexagon plug	
3040	1079 9912 07	1	Information label		3065	0661 1000 25	1	Seal washer	

Bodywork (A)

33

Ref.	Part number	Qty	Name	Remarks	Ref.	Part number	Qty	Name	Remarks
			Doors					IP 23	
			Air cooled					Stay	
			IP 55		1010	1614 9502 80	1	Stay	
1010	1614 9502 80	1	Stay	l)			• 1	Stay	
		• 1	Stay		1012	1202 6584 00	AR	Seal	
1012	1202 6584 00	AR	Seal		1015	1619 2766 00	2	Bolt	
1015	1619 2766 00	2	Bolt		1020	1621 2234 80	1	Stay	
1020	1621 2129 80	1	Stay	l)			• 1	Stay	
		• 1	Stay		1025	1619 2766 00	3	Bolt	
	1079 9910 95	• 2	Label		1030	1621 0426 80	5	Stay	
	1079 9910 96	• 2	Label				• 1	Stay	
1025	1619 2766 00	3	Bolt			1079 9901 09	• 1	Label	
1030	1621 0426 80	5	Stay	l)	1035	1619 2766 00	10	Bolt	
		• 1	Stay		1040	1614 9592 80	7	Door	
	1079 9901 09	• 1	Label				• 1	Door	
1035	1619 2766 00	10	Bolt			2252 7237 00	• 4	Doorlock	l)
1040	1614 9592 80	7	Door			1619 5188 00	• AR	Seal	
		• 1	Door		1045	1614 9592 81	1	Door	l)
	2252 7237 00	• 4	Doorlock				• 1	Door	
	1619 5188 00	• AR	Seal			0690 1140 01	• 1	House mark	
1045	1614 9592 81	1	Door	l)		2252 7237 00	• 4	Doorlock	2)
		• 1	Door			1619 5188 00	• AR	Seal	
	0690 1140 01	• 1	House mark		1050	1614 9593 81	2	Door	
	2252 7237 00	• 4	Doorlock				• 1	Door	
	1619 5188 00	• AR	Seal			0690 1140 01	• 1	House mark	
1050	1614 9593 81	2	Door	l)		2252 7237 00	• 4	Doorlock	
		• 1	Door			1619 5188 00	• AR	Seal	
	0690 1140 01	• 1	House mark		1055	1621 2131 80	1	Door	
	2252 7237 00	• 4	Doorlock				• 1	Door	
	1619 5188 00	• AR	Seal			2252 7237 00	• 5	Doorlock	
1055	1621 2131 80	1	Door	l)		1619 5188 00	• AR	Seal	
		• 1	Door			1613 1312 34	• 2	Strip	
	0690 1140 01	• 1	House mark		1060	1621 2133 80	1	Door	
	2252 7237 00	• 4	Doorlock				• 1	Door	
	1619 5188 00	• AR	Seal			2252 7237 00	• 5	Doorlock	
1060	1621 2133 80	1	Door	l)		1619 5188 00	• AR	Seal	
		• 1	Door			1613 1312 34	• 2	Strip	
	2252 7237 00	• 5	Doorlock		1065	1614 9886 80	1	Stay	
	1619 5188 00	• AR	Seal				• 1	Stay	
	1613 1312 34	• 2	Strip			1079 9901 09	• 1	Label	
1060	1621 2133 80	1	Door	l)	1070	1619 2766 00	4	Bolt	
		• 1	Door		1075	1088 0412 06	1	Flange	
	2252 7237 00	• 2	Doorlock		1080	0147 1325 03	4	Bolt	
	0690 1140 01	• 1	House mark		1085	0301 2335 00	4	Plain washer	
1065	1614 9886 80	1	Stay	l)	1090	0266 2110 00	4	Hexagon nut	
		• 1	Stay		1100	1089 9068 01	1	Key	
	1079 9901 09	• 1	Label		1105	1621 4769 80	2	Stay	
1070	1619 2766 00	4	Bolt				• 1	Stay	
1100	1089 9068 01	1	Key			1079 9901 09	• 1	Label	
1105	1621 4769 80	2	Stay	l)	1110	1619 2766 00	4	Bolt	
		• 1	Stay		1115	1621 4791 80	1	Stay	
	1079 9901 09	• 1	Label				• 1	Stay	
1110	1619 2766 00	4	Bolt			1079 9901 09	• 1	Label	
1115	1621 4791 80	1	Stay	l)		1619 2473 00	• AR	Seal	
		• 1	Stay		1120	1619 2766 00	2	Bolt	
	1079 9901 09	• 1	Label		1125	1621 4792 80	1	Stay	
	1619 2473 00	• AR	Seal				• 1	Stay	
1120	1619 2766 00	2	Bolt			1079 9901 09	• 1	Label	
1125	1621 4792 80	1	Stay			1619 2473 00	• AR	Seal	
		• 1	Stay			1619 2766 00	• 2	Bolt	
	1079 9901 09	• 1	Label				• 1	Stay	
1126	0147 1320 03	9	Bolt			1079 9901 09	• 1	Label	
1127	0301 2335 00	9	Plain washer		1126	0147 1320 03	9	Bolt	
1130	1619 2766 00	3	Bolt		1127	0301 2335 00	9	Plain washer	
1135	1621 4765 80	4	Panel		1130	1619 2766 00	3	Bolt	
	1621 4765 00	• 1	Panel		1135	1621 4765 80	4	Panel	
	1614 8988 00	• 1	Pin				• 1	Panel	
	2252 7237 00	• 4	Doorlock			1614 8988 00	• 1	Pin	
			IP 55 MV			2252 7237 00	• 4	Doorlock	

Bodywork (A)

33

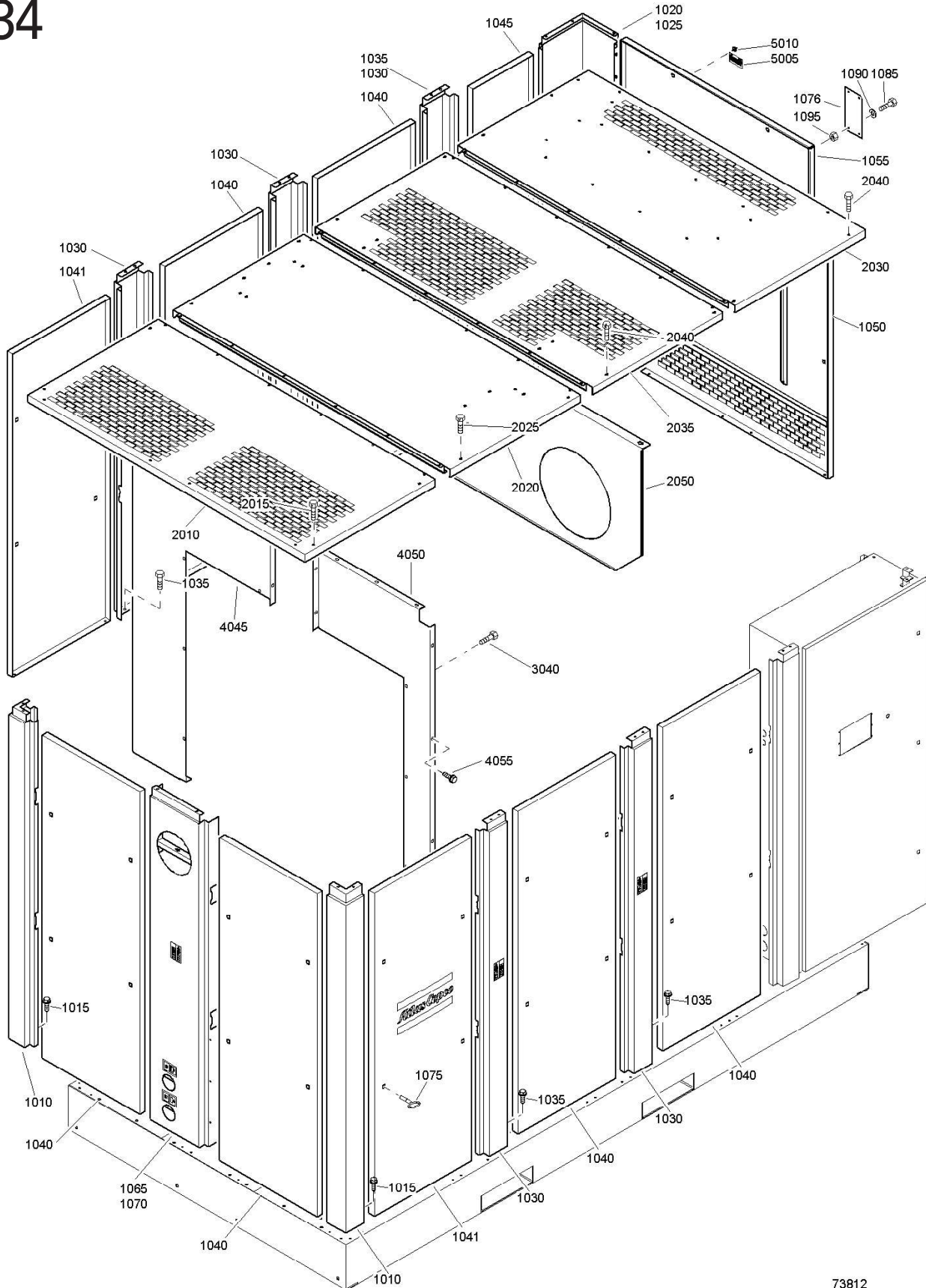
Ref.	Part number	Qty	Name	Remarks	Ref.	Part number	Qty	Name	Remarks
	2252 7237 00	• 4	Doorlock		3040	1079 1472 06	10	Bolt	
	1619 5188 00	• AR	Seal		3045	1621 5117 80	1	Roof	2)
			Baffles				• 1	Roof	
			Air cooled		3047	1621 4768 00	1	Support	
			IP 23		3048	1619 5337 01	2	Bolt	
			IP 55 MV		3050	1079 1472 06	11	Bolt	
			IP 55		3055	1621 5118 80	1	Roof	
2010	1621 2111 80	1	Baffle				• 1	Roof	
		• 1	Baffle		3060	1079 1472 06	7	Bolt	
	1619 6449 00	• 22	Seal		3070	0348 0101 26	2	Cable tie	
2015	1621 2112 80	1	Baffle		3075	0348 0111 06	2	Hose clip	
		• 1	Baffle					Data plate	
	1619 6449 00	• 16	Seal					ASME (U Stamp)	
2025	1079 1472 06	17	Bolt					CHINA	
2030	1621 2113 00	1	Baffle					DIR	
2035	1621 2114 00	1	Baffle					Singapore	
2040	1079 1472 06	32	Bolt		4005	1614 8057 05	1	Data plate	
2050	1503 1056 00	AR	Seal		4010	0129 3104 00	4	Rivet blind	
			Roof					CE	
			Air cooled		4005	1614 8057 08	1	Data plate	
3010	1621 5116 00	1	Roof		4010	0129 3104 00	4	Rivet blind	
3015	1079 1472 06	10	Bolt						
3020	1621 5116 00	1	Roof						
3025	1079 1472 06	10	Bolt						
3030	1621 1473 80	1	Roof	1)	1..3)	Lined with / Bekleed met / Beklädd med /			
		• 1	Roof			Ausgekleidet mit / Garnir de / Rivestido de / Allineato			
3033	1079 1472 06	15	Bolt			con / Foret med / Revestido com / Kledd med /			
3035	1621 1476 80	1	Roof	1)		Vuorattu :			
		• 1	Roof			1) Foam : 0395 6001 69 (AR) 50 x 2040 x 1650			
	1613 1312 15	• 4	Strip			self-adhesive			
						2) Foam : 0395 6001 60 (AR) 50 x 2040 x 1650			

Bodywork (W)

34

Ref.	Part number	Qty	Name	Remarks	Ref.	Part number	Qty	Name	Remarks
			Doors						
			IP 55						
			Without ENergy REcovery						
1010	1614 9502 80	2	Stay	l)	1040	1614 9592 80	6	Door	
		• 1	Stay				• 1	Door	
1015	1619 2766 00	4	Bolt			2252 7237 00	• 4	Doorlock	
1020	1621 2129 80	1	Stay	l)		1619 5188 00	• AR	Seal	
		• 1	Stay		1041	1614 9592 81	2	Door	
	1079 9910 95	• 2	Label				• 1	Door	
	1079 9910 96	• 2	Label			0690 1140 01	• 1	House mark	
1025	1619 2766 00	3	Bolt			2252 7237 00	• 4	Doorlock	
1030	1621 0426 80	5	Stay	l)		1619 5188 00	• AR	Seal	
		• 1	Stay		1045	1614 9593 81	1	Door	
	1079 9901 09	• 1	Label				• 1	Door	
1035	1619 2766 00	8	Bolt			0690 1140 01	• 1	House mark	
1040	1614 9592 80	6	Door	l)		2252 7237 00	• 4	Doorlock	
		• 1	Door			1619 5188 00	• AR	Seal	
	2252 7237 00	• 4	Doorlock			1613 1312 34	• 2	Strip	
	1619 5188 00	• AR	Seal		1055	1621 2133 80	1	Door	
1041	1614 9592 81	2	Door	l)			• 1	Door	
		• 1	Door			2252 7237 00	• 2	Doorlock	
	0690 1140 01	• 1	House mark			0690 1140 01	• 1	House mark	
	2252 7237 00	• 4	Doorlock		1065	1621 2135 80	1	Stay	
	1619 5188 00	• AR	Seal				• 1	Stay	
1045	1614 9593 81	1	Door	l)			• 1	Inform.label	
		• 1	Door			1079 9913 69	• 1	Inform.label	
	0690 1140 01	• 1	House mark			1079 9913 79	• 1	Inform.label	
	2252 7237 00	• 4	Doorlock			1079 9901 09	• 1	Label	
	1619 5188 00	• AR	Seal		1070	1619 2766 00	4	Bolt	
1050	1621 2131 80	1	Door	l)	1075	1089 9068 01	1	Key	
		• 1	Door		1076	1088 0412 06	1	Flange	
	2252 7237 00	• 5	Doorlock		1085	0147 1325 03	4	Bolt	
	1619 5188 00	• AR	Seal		1090	0301 2335 00	4	Plain washer	
	1613 1312 34	• 2	Strip		1095	0266 2110 00	4	Hexagon nut	
1055	1621 2133 80	1	Door	l)				Roof	
		• 1	Door					IP 23	
	2252 7237 00	• 2	Doorlock		2010	1621 1468 80	1	Roof	2)
	0690 1140 01	• 1	House mark				• 1	Roof	
1065	1621 2135 80	1	Stay	l)		1613 1312 30	• 4	Strip	
		• 1	Stay		2015	1079 1472 06	17	Bolt	
	1079 9913 69	• 1	Inform.label		2020	1621 1470 80	1	Roof	2)
	1079 9913 79	• 1	Inform.label				• 1	Roof	
	1079 9901 09	• 1	Label			1613 1312 30	• 4	Strip	
1070	1619 2766 00	4	Bolt		2025	1079 1472 06	10	Bolt	
1075	1089 9068 01	1	Key		2030	1621 1473 80	1	Roof	l)
			IP 55 MV				• 1	Roof	
			IP 23		2035	1621 1476 80	1	Roof	l)
1010	1614 9502 80	2	Stay	l)			• 1	Roof	
		• 1	Stay			1613 1312 15	• 4	Strip	
1015	1619 2766 00	4	Bolt		2040	1079 1472 06	15	Bolt	
1020	1621 2234 80	1	Stay					IP 55 MV	
		• 1	Stay					IP 55	
1025	1619 2766 00	3	Bolt		2010	1621 1468 80	1	Roof	
1030	1621 0426 80	5	Stay	l)			• 1	Roof	
		• 1	Stay			1613 1312 30	• 4	Strip	
	1079 9901 09	• 1	Label		2015	1079 1472 06	17	Bolt	
1035	1619 2766 00	8	Bolt						

34



73812

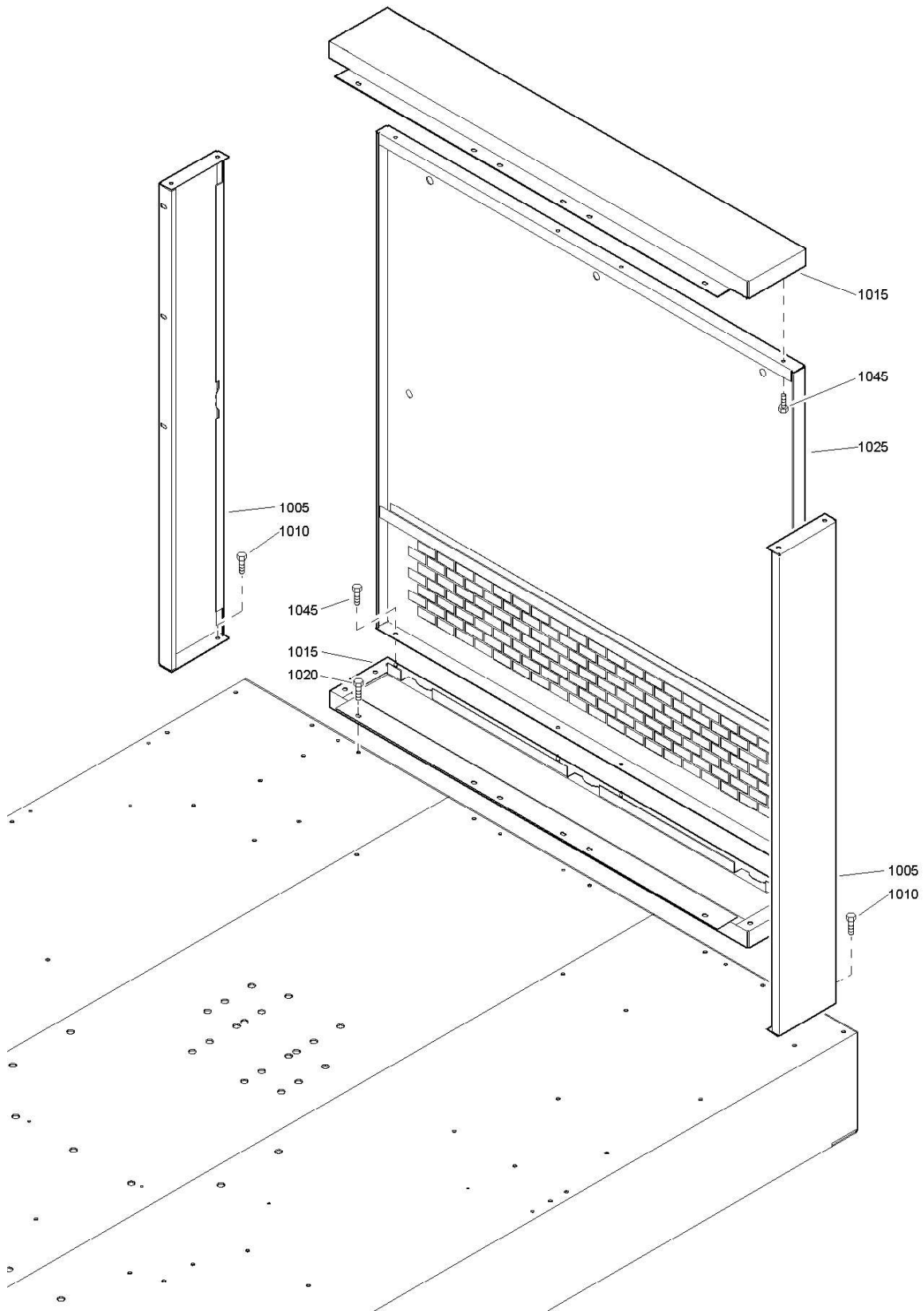
73812

Bodywork (W)

34

Ref.	Part number	Qty	Name	Remarks	Ref.	Part number	Qty	Name	Remarks
2020	1621 1470 80	1	Roof					CHINA	
		• 1	Roof					DIR	
	1613 1312 30	• 4	Strip					Singapore	
2025	1079 1472 06	10	Bolt		5005	1614 8057 05	1	Data plate	
2030	1621 1473 80	1	Roof		5010	0129 3104 00	4	Rivet blind	
		• 1	Roof					CE	
2035	1621 1488 80	1	Roof		5005	1614 8057 08	1	Data plate	
		• 1	Roof		5010	0129 3104 00	4	Rivet blind	
	1613 1312 15	• 4	Strip						
2040	1079 1472 06	18	Bolt						
2050	1621 1462 00	1	Support		1-2)	Lined with / Bekleed met / Beklädd med / Ausgekleidet mit / Garnir de / Rivestido de / Allineato con / Foret med / Revestido com / Kledd med / Vuorattu :			
			Baffle			1) Foam : 0395 6001 69 (AR) 50 x 2040 x 1650 self-adhesive			
3040	1079 1472 06	19	Bolt			2) Foam : 0395 6001 60 (AR) 50 x 2040 x 1650			
4045	1621 2213 00	1	Baffle						
4050	1621 2116 00	1	Baffle						
4055	1619 2766 00	10	Bolt						
			Data plate						
			ASME (U Stamp)						

35



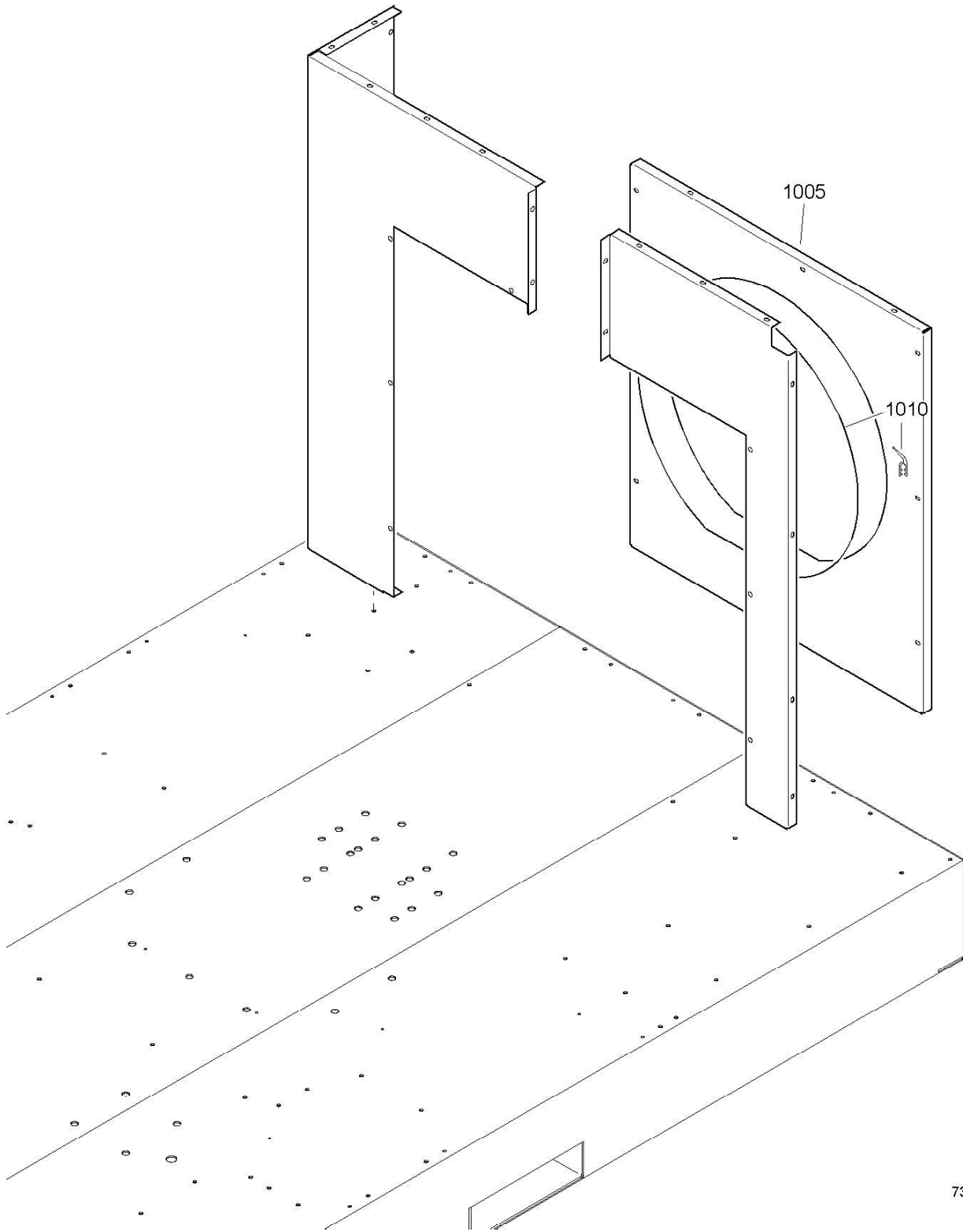
73833

73833

Bodywork - Motor extension- IP55 Medium Voltage**35**

Ref.	Part number	Qty	Name	Remarks	Ref.	Part number	Qty	Name	Remarks
			GA 450 ABB_M3BP IP 55 Medium voltage						
1005	1621 2139 80	2	Panel	1)	1045	1619 5188 00	• 1	AR Seal	
		• 1	Panel			1613 1312 34	• 2	Strip	
1010	1079 1472 06	18	Bolt			1079 1472 06	4	Bolt	
1015	1621 2141 80	2	Panel	1)					
		• 1	Panel		1..3)			Lined with / Bekleed met / Beklädd med / Ausgekleidet mit / Garnir de / Rivestido de / Allineato con / Foret med / Revestido com / Kledd med / Vuorattu :	
1020	1079 1472 06	8	Bolt						
1022	1614 9851 01	4	Pin		1)			Foam : 0395 6001 69 (AR) 50 x 2040 x 1650 self-dhesive	
1025	1621 2131 80	1	Door	1)					
		• 1	Door						
	2252 7237 00	• 5	Doorlock						

36



73813

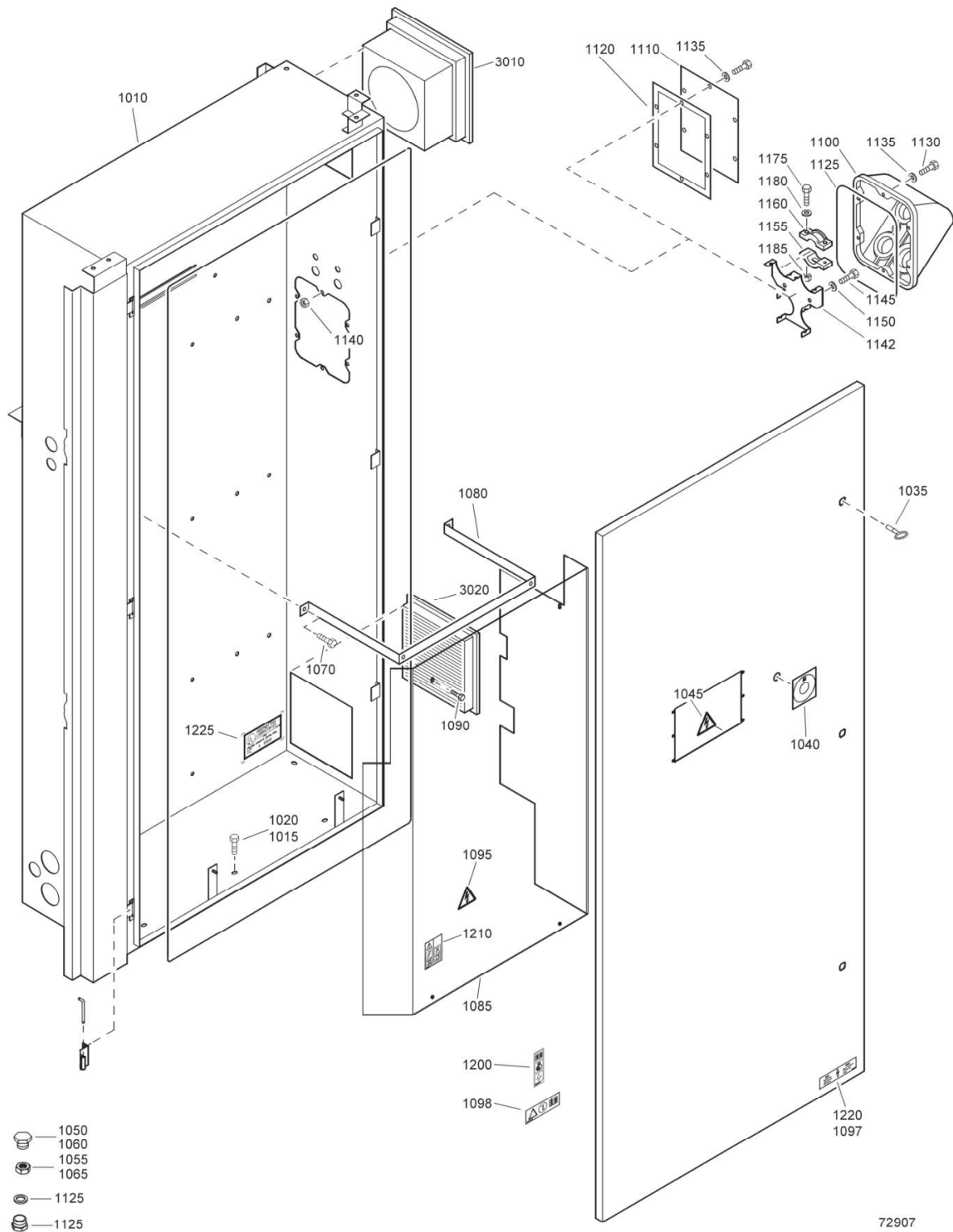
73813

Bodywork - Motor Baffle

36

Ref.	Part number	Qty	Name	Remarks	Ref.	Part number	Qty	Name	Remarks
			GA 315		1010	1619 6449 00	AR	Seal	
			Siemens motor					Siemens motor IP 23	
1005	1621 1484 00	1	Baffle		1005	1621 1484 00	1	Baffle	
1010	1619 6449 00	AR	Seal		1010	1619 6449 00	AR	Seal	
			ABB_M3BP motor					Weg motor	
1005	1623 8879 00	1	Baffle		1005	1621 5990 00	1	Baffle	
1010	1619 6449 00	AR	Seal		1010	1619 6449 00	AR	Seal	
			Weg motor					GA 450	
1005	1621 5990 00	1	Baffle					ABB_M3BP motor	
1010	1619 6449 00	AR	Seal		1005	1623 8881 00	1	Baffle	
			GA 355		1010	1619 6449 00	AR	Seal	
			ABB_M3BP motor					Siemens motor IP 55 MV	
1005	1623 8880 00	1	Baffle		1005	1621 1483 00	1	Baffle	
1010	1619 6449 00	AR	Seal		1010	1619 6449 00	AR	Seal	
			50 Hz Siemens motor IP 55					Siemens motor IP 23	
			MV		1005	1621 1484 00	1	Baffle	
1005	1621 1483 00	1	Baffle		1010	1619 6449 00	AR	Seal	
1010	1619 6449 00	AR	Seal					Weg motor	
			50 Hz Siemens motor IP 23		1005	1621 5990 00	1	Baffle	
			60 Hz Siemens motor		1010	1619 6449 00	AR	Seal	
1005	1621 1484 00	1	Baffle					GA 500	
1010	1619 6449 00	AR	Seal					Siemens motor IP 55 MV	
			Weg motor		1005	1621 1483 00	1	Baffle	
1005	1621 5990 00	1	Baffle		1010	1619 6449 00	AR	Seal	
1010	1619 6449 00	AR	Seal					Siemens motor IP 23	
			GA 400		1005	1621 1484 00	1	Baffle	
			ABB_M3BP motor		1010	1619 6449 00	AR	Seal	
1005	1623 8880 00	1	Baffle					Weg motor	
1010	1619 6449 00	AR	Seal		1005	1621 5990 00	1	Baffle	
			Siemens motor IP 55 MV		1010	1619 6449 00	AR	Seal	
1005	1621 1483 00	1	Baffle						

37



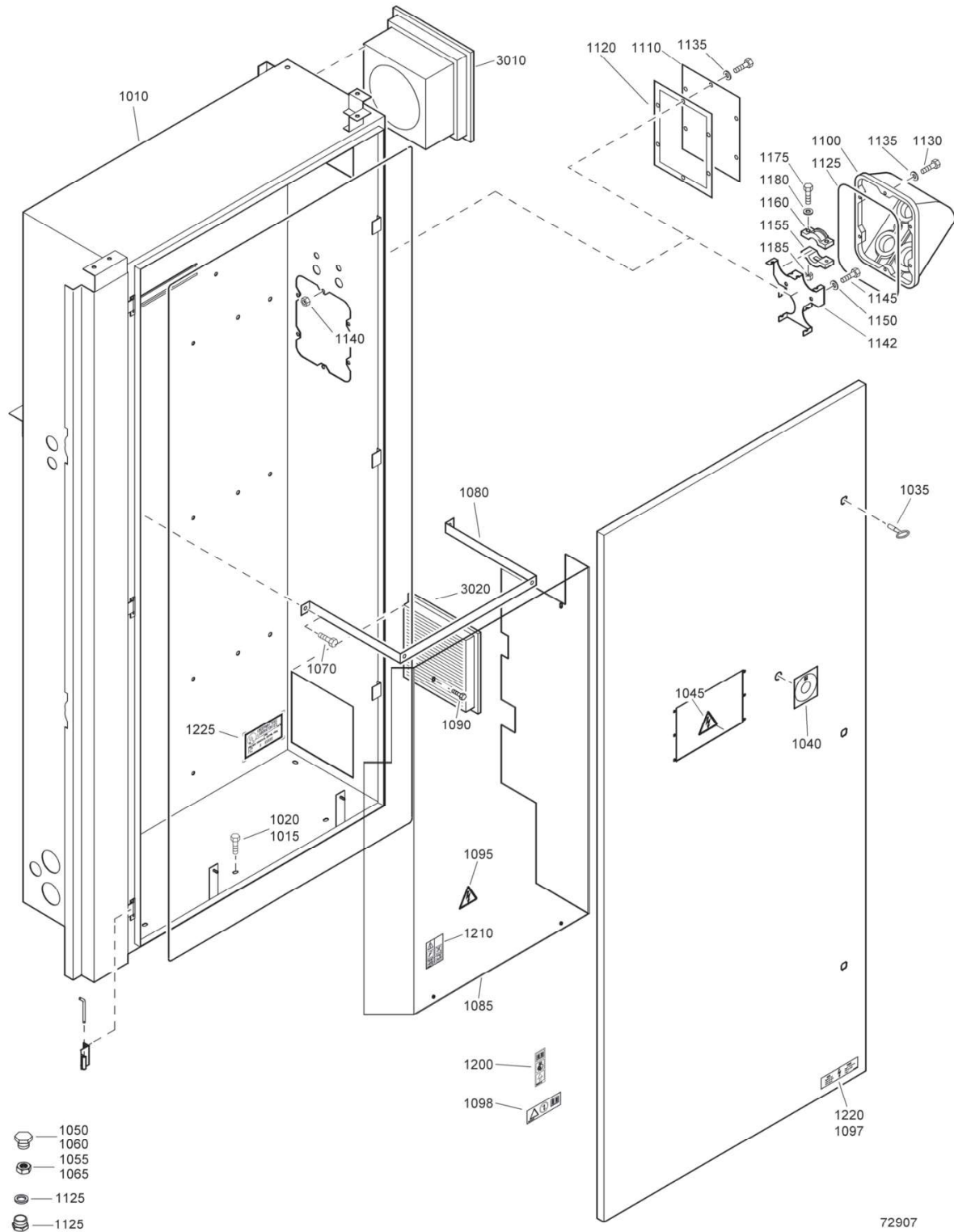
72907

Cubicle - Box

37

Ref.	Partnumber	Qty	Name	Remarks	Ref.	Partnumber	Qty	Name	Remarks
			GA 315		1040	1621 0478 00	1	Label	
			GA 355		1045	1088 1001 01	1	Warning mark	
			IEC IP 54		1050	0697 9810 18	2	Plug	
1010	1623 4930 80	1	Cubicle ass'y		1055	0697 9809 07	2	Nut	
1015	1619 2766 00	7	Bolt		1060	0697 9810 20	2	Plug	
1020	1619 2766 00	6	Bolt		1065	0697 9809 03	2	Nut	
1035	1089 9154 02	2	Key		1070	0147 1360 03	2	Bolt	
1040	1621 0478 00	1	Label		1098	1079 9905 49	1	Label	
1045	1088 1001 01	1	Warning mark		1110	1614 7146 00	1	Flange	
1050	0697 9810 18	2	Plug		1120	1614 7145 00	1	Gasket	
1055	0697 9809 07	2	Nut		1130	0147 1325 03	6	Bolt	
1060	0697 9810 20	2	Plug		1140	0266 2110 00	6	Hexagon nut	
1065	0697 9809 03	2	Nut					CSA-UL IP 23	
1070	0147 1360 03	2	Bolt					CSA-UL IP 55 MV	
1080	1623 4897 00	1	Support		1010	1623 4930 80	1	Cubicle ass'y	
1085	1621 2673 01	1	Screen		1015	1619 2766 00	7	Bolt	
1090	0147 1251 12	4	Bolt		1020	1619 2766 00	6	Bolt	
1095	1088 1001 04	3	Warning mark		1035	1089 9154 02	2	Key	
1100	1621 1235 00	1	Cable box		1040	1621 0478 00	1	Label	
1115	0697 9810 40	4	Plug		1045	1088 1001 01	1	Warning mark	
1125	1614 6567 00	1	Seal		1050	0697 9810 18	2	Plug	
1130	0147 1322 03	6	Bolt		1055	0697 9809 07	2	Nut	
1135	0301 2335 00	6	Plain washer		1060	0697 9810 20	2	Plug	
1142	1621 1309 00	1	Plate		1065	0697 9809 03	2	Nut	
1145	0147 1322 03	2	Bolt		1070	0147 1360 03	2	Bolt	
1150	0301 2335 00	2	Plain washer		1098	1079 9905 49	1	Label	
1155	1614 6562 00	4	Clamp		1110	1614 7146 00	1	Flange	
1160	1614 6563 00	4	Clamp		1120	1614 7145 00	1	Gasket	
1175	0147 1961 27	8	Bolt		1130	0147 1325 03	6	Bolt	
1180	0301 2321 00	8	Washer		1140	0266 2110 00	6	Hexagon nut	
1185	0266 2108 00	8	Nut		1220	1613 3431 00	1	Label	
1200	1079 9901 29	1	Label		1225	1613 5330 10	1	Listing mark	
1210	1079 9901 67	1	Label					GA 400	
			CSA-UL IP 55					GA 450	
1010	1623 4930 80	1	Cubicle ass'y					IEC IP 23	
1015	1619 2766 00	7	Bolt					IEC IP 55 MV	
1020	1619 2766 00	6	Bolt		1010	1623 4930 80	1	Cubicle ass'y	
1035	1089 9154 02	2	Key		1015	1619 2766 00	7	Bolt	
1040	1621 0478 00	1	Label		1020	1619 2766 00	6	Bolt	
1045	1088 1001 01	1	Warning mark		1035	1089 9154 02	2	Key	
1050	0697 9810 18	2	Plug		1040	1621 0478 00	1	Label	
1055	0697 9809 07	2	Nut		1045	1088 1001 01	1	Warning mark	
1060	0697 9810 20	2	Plug		1050	0697 9810 18	2	Plug	
1065	0697 9809 03	2	Nut		1055	0697 9809 07	2	Nut	
1070	0147 1360 03	2	Bolt		1060	0697 9810 20	2	Plug	
1080	1623 4897 00	1	Support		1065	0697 9809 03	2	Nut	
1085	1621 2673 01	1	Screen		1070	0147 1360 03	2	Bolt	
1090	0147 1251 12	4	Bolt		1098	1079 9905 49	1	Label	
1095	1088 1001 04	1	Warning mark		1110	1614 7146 00	1	Flange	
1097	1613 3431 00	1	Label		1120	1614 7145 00	1	Gasket	
1110	1614 7146 00	1	Flange		1130	0147 1325 03	6	Bolt	
1120	1614 7145 00	1	Gasket		1140	0266 2110 00	6	Hexagon nut	
1130	0147 1325 03	6	Bolt					CSA-UL IP 23	
1140	0266 2110 00	6	Hexagon nut					CSA-UL IP 55 MV	
1200	1079 9901 29	1	Label		1010	1623 4930 80	1	Cubicle ass'y	
1210	1079 9901 67	1	Label		1015	1619 2766 00	7	Bolt	
1220	1613 3431 00	1	Label		1020	1619 2766 00	6	Bolt	
1225	1613 5330 10	1	Listing mark		1035	1089 9154 02	2	Key	
			IEC IP 23		1040	1621 0478 00	1	Label	
			IEC IP 55 MV		1045	1088 1001 01	1	Warning mark	
1010	1623 4930 80	1	Cubicle ass'y		1050	0697 9810 18	2	Plug	
1015	1619 2766 00	7	Bolt		1055	0697 9809 07	2	Nut	
1020	1619 2766 00	6	Bolt		1060	0697 9810 20	2	Plug	
1035	1089 9154 02	2	Key		1065	0697 9809 03	2	Nut	

37



72907

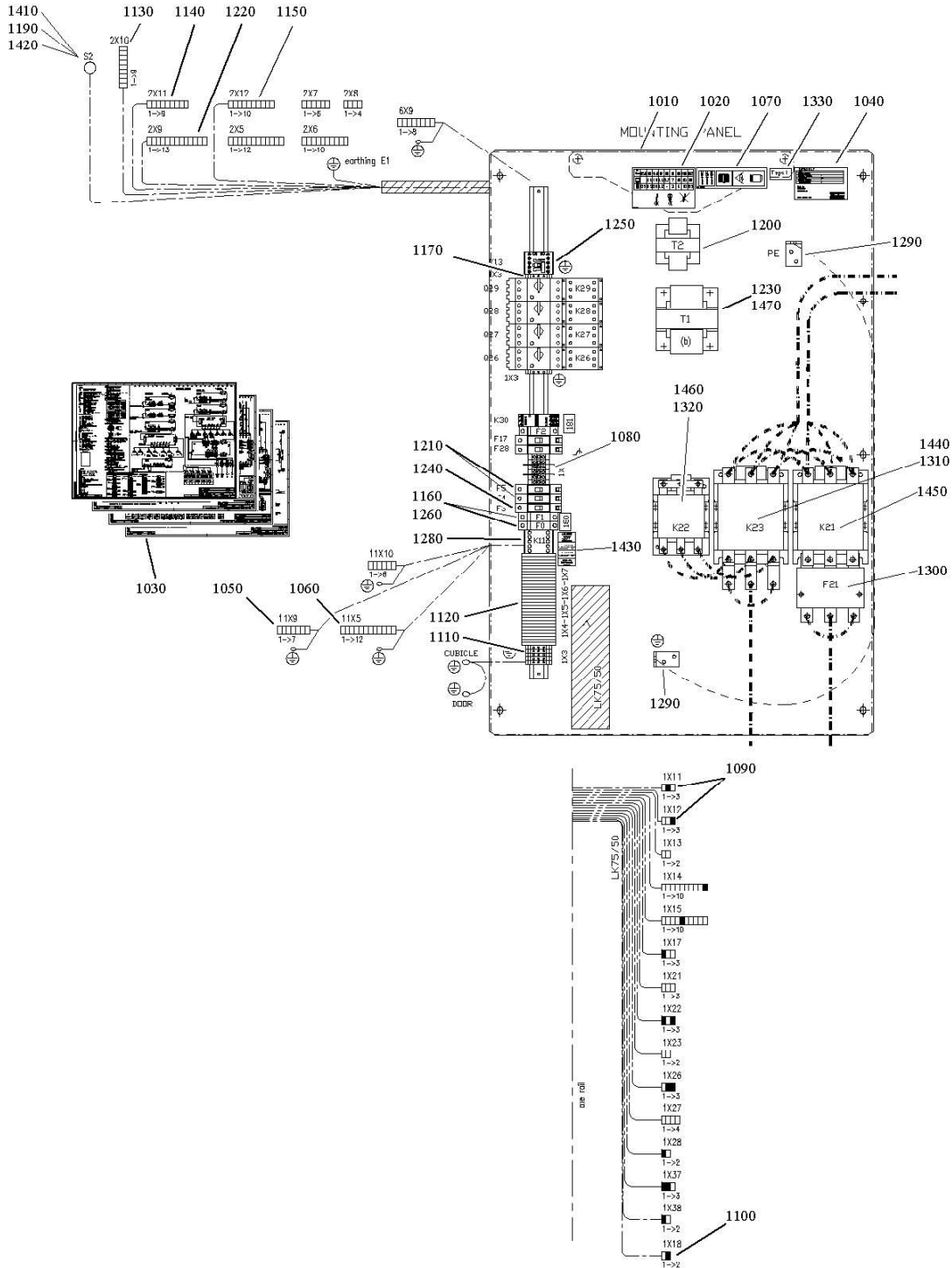
72907

Cubicle - Box

37

Ref.	Partnumber	Qty	Name	Remarks	Ref.	Partnumber	Qty	Name	Remarks
1070	0147 1360 03	2	Bolt		1080	1623 4897 00	1	Support	
1098	1079 9905 49	1	Label		1085	1621 2673 01	1	Screen	
1110	1614 7146 00	1	Flange		1090	0147 1251 12	4	Bolt	
1120	1614 7145 00	1	Gasket		1097	1613 3431 00	1	Label	
1130	0147 1325 03	6	Bolt		1100	1614 7146 00	1	Flange	
1140	0266 2110 00	6	Hexagon nut		1110	1614 7145 00	1	Gasket	
1220	1613 3431 00	1	Label		1120	0147 1325 03	6	Bolt	
1225	1613 5330 10	1	Listing mark		1130	0266 2110 00	6	Hexagon nut	
			IEC IP 55		1200	1079 9901 29	1	Label	
1010	1623 4931 80	1	Cubicle		1210	1079 9901 67	1	Label	
1015	1619 2766 00	7	Bolt			2000 0211 17	1	Fan+filter	
1020	1619 2766 00	6	Bolt		3010	1089 0598 02	• 1	Fan	
1035	1089 9154 02	2	Key		3020	1089 0598 03	• 1	Filter	
1040	1621 0478 00	1	Label					GA 500	
1045	1088 1001 01	1	Warning mark					IEC IP 23	
1050	0697 9810 18	2	Plug					IEC IP 55 MV	
1055	0697 9809 07	2	Nut		1010	1623 4930 80	1	Cubicle ass'y	
1060	0697 9810 20	2	Plug		1015	1619 2766 00	7	Bolt	
1065	0697 9809 03	2	Nut		1020	1619 2766 00	6	Bolt	
1070	0147 1360 03	2	Bolt		1035	1089 9154 02	2	Key	
1080	1623 4897 00	1	Support		1040	1621 0478 00	1	Label	
1085	1621 2673 01	1	Screen		1045	1088 1001 01	1	Warning mark	
1090	0147 1251 12	4	Bolt		1050	0697 9810 18	2	Plug	
1100	1621 1235 00	1	Cable box		1055	0697 9809 07	2	Nut	
1115	0697 9810 40	4	Plug		1060	0697 9810 20	2	Plug	
1125	1614 6567 00	1	Seal		1065	0697 9809 03	2	Nut	
1130	0147 1322 03	6	Bolt		1070	0147 1360 03	2	Bolt	
1135	0301 2335 00	6	Plain washer		1110	1079 9905 49	1	Label	
1142	1621 1309 00	1	Plate		1120	1614 7146 00	1	Flange	
1145	0147 1322 03	2	Bolt		1130	1614 7145 00	1	Gasket	
1150	0301 2335 00	2	Plain washer		1131	0147 1325 03	6	Bolt	
1155	1614 6562 00	4	Clamp		1140	0266 2110 00	6	Hexagon nut	
1160	1614 6563 00	4	Clamp					CSA-UL IP 23	
1175	0147 1961 27	8	Bolt					CSA-UL IP 55 MV	
1180	0301 2321 00	8	Washer		1010	1623 4930 80	1	Cubicle ass'y	
1185	0266 2108 00	8	Nut		1015	1619 2766 00	7	Bolt	
1200	1079 9901 29	1	Label		1020	1619 2766 00	6	Bolt	
1210	1079 9901 67	1	Label		1035	1089 9154 02	2	Key	
	2000 0211 16	1	Fan+filter		1040	1621 0478 00	1	Label	
3010	1089 0598 01	• 1	Fan		1045	1088 1001 01	1	Warning mark	
3020	1089 0598 03	• 1	Filter		1050	0697 9810 18	2	Plug	
			CSA-UL IP 55		1055	0697 9809 07	2	Nut	
1010	1623 4931 80	1	Cubicle		1060	0697 9810 20	2	Plug	
1015	1619 2766 00	7	Bolt		1065	0697 9809 03	2	Nut	
1020	1619 2766 00	6	Bolt		1070	0147 1360 03	2	Bolt	
1035	1089 9154 02	2	Key		1098	1079 9905 49	1	Label	
1040	1621 0478 00	1	Label		1110	1614 7146 00	1	Flange	
1045	1088 1001 01	1	Warning mark		1120	1614 7145 00	1	Gasket	
1050	0697 9810 18	2	Plug		1130	0147 1325 03	6	Bolt	
1055	0697 9809 07	2	Nut		1140	0266 2110 00	6	Hexagon nut	
1060	0697 9810 20	2	Plug		1220	1613 3431 00	1	Label	
1065	0697 9809 03	2	Nut		1225	1613 5330 10	1	Listing mark	
1070	0147 1360 03	2	Bolt						

38



73845

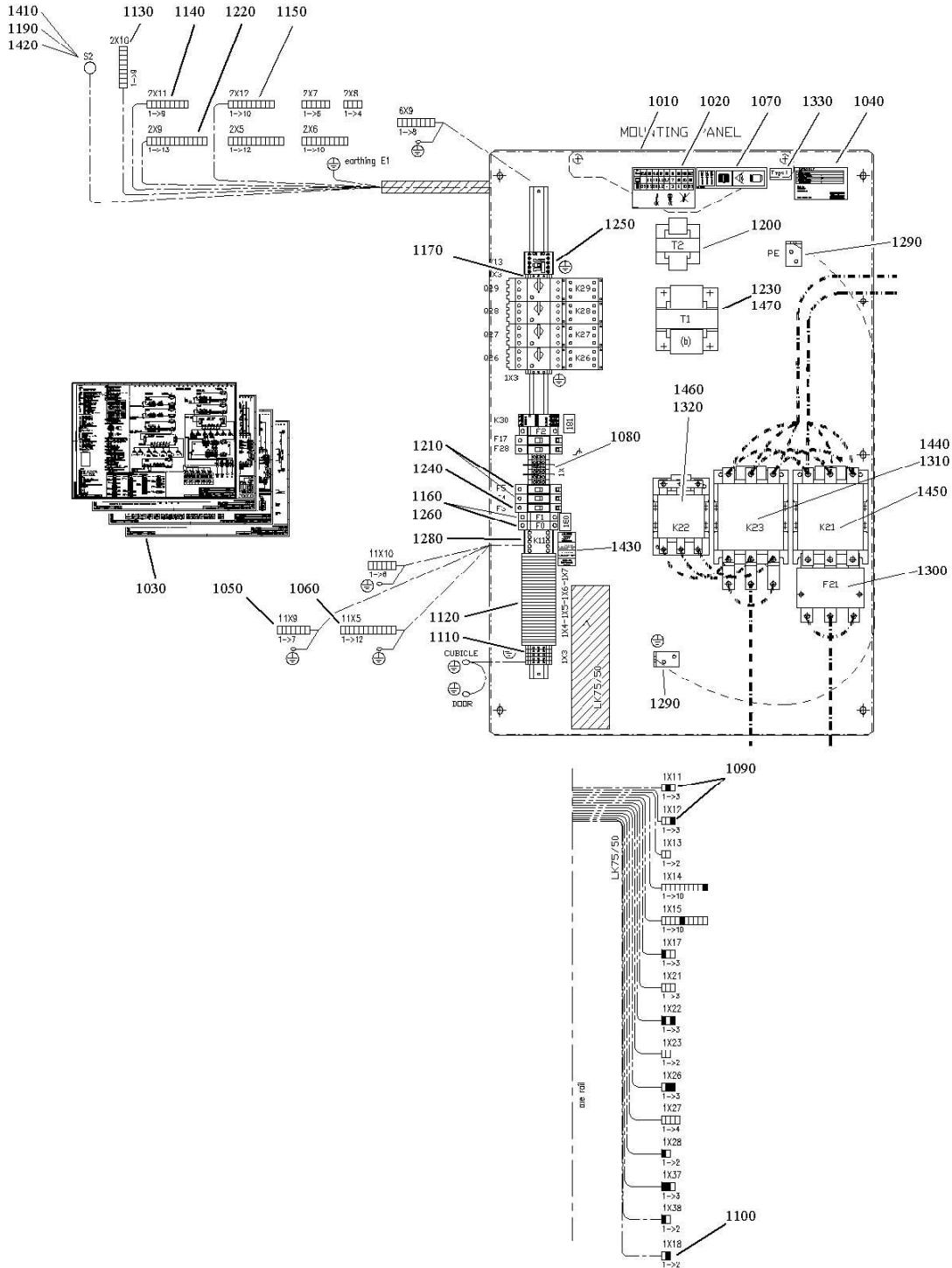
73845

Cubicle(s)

38

Ref.	Part number	Qty	Name	Remarks	Ref.	Part number	Qty	Name	Remarks
			IECIP23					400V(3ph)	
			IECIP55MV		1010	1621 4047 00	1	Mountingpanel	
			WithoutmainmotorIEC		1020	1079 9906 09	1	Label	
1010	1621 4047 00	1	Mountingpanel		1030	9823 1897 34	1	Servicediagram	
1020	1079 9906 09	1	Label		1040	1613 6639 00	1	Dataplate	
1030	9823 1897 35	1	Servicediagram		1050	1088 0031 12	1	Connector	
1040	1613 6639 00	1	Dataplate		1060	1088 0031 07	1	Connector	
1050	1088 0031 12	1	Connector		1070	1079 9901 68	1	Label	
1060	1088 0031 07	1	Connector		1080	1089 0506 06	6	Terminal	
1070	1079 9901 68	1	Label		1090	1088 0037 31	2	Connector	
1080	1089 0506 06	6	Terminal		1100	1088 0037 30	1	Connector	
1090	1088 0037 31	2	Connector		1110	1089 0506 27	7	Terminal(pe)	
1100	1088 0037 30	1	Connector		1120	1089 9398 11	31	Terminal	
1110	1089 0506 27	7	Terminal(pe)		1130	1088 0031 49	1	Connector	
1120	1089 9398 11	32	Terminal		1140	1088 0031 29	1	Connector	
1130	1088 0031 49	1	Connector		1150	1088 0031 30	1	Connector	
1140	1088 0031 29	1	Connector		1160	1089 0612 01	2	Fuseholder	
1150	1088 0031 30	1	Connector		1170	1089 9415 09	3	Contactblock	
1160	1089 0612 01	2	Fuse holder		1190	1089 0362 51	1	Stopbutton	
1170	1089 9415 06	1	Contactblock		1200	1089 9436 11	1	Transformer	
1190	1089 0362 51	1	Stop button		1210	1089 9621 06	1	Circuitbreak.	
1200	1089 9436 11	1	Transformer		1220	1088 0031 13	1	Connector	
1210	1089 9621 07	2	Circuitbreak.		1230	1089 9436 08	1	Transformer	
1220	1088 0031 13	1	Connector		1240	1089 9621 07	2	Circuitbreak.	
1230	1089 9436 07	1	Transformer		1260	1089 0612 25	2	Fuse	
1240	1089 9621 06	1	Circuitbreak.		1280	1089 9415 17	1	Contactor	
1250	1089 9438 02	1	Relaysiem.		1300	1089 9446 73	1	Overloadrelay	
1260	1089 0612 25	2	Fuse		1290	1623 4005 00	2	Strap earthing	
1280	1089 9415 17	1	Contactor		1410	1089 9337 13	1	Contactblock	
1290	1623 4005 00	2	Strap earthing		1420	1089 9337 15	1	Contactblock	
1410	1089 9337 13	1	Contactblock		1450	1089 9415 74	2	Contactor	
1420	1089 9337 15	1	Contactblock		1460	1089 9415 79	1	Contactor	
			CSA-ULIP23					500V(3ph)	
			CSA-ULIP55MV		1010	1621 4047 00	1	Mountingpanel	
			WithoutmainmotorCSA-UL		1020	1079 9906 09	1	Label	
1010	1621 4047 00	1	Mountingpanel		1030	9823 1897 34	1	Servicediagram	
1020	1079 9906 09	1	Label		1040	1613 6639 00	1	Dataplate	
1030	9823 1897 35	1	Servicediagram		1050	1088 0031 12	1	Connector	
1040	1614 8949 23	1	Dataplate		1060	1088 0031 07	1	Connector	
1050	1088 0031 12	1	Connector		1070	1079 9901 68	1	Label	
1060	1088 0031 07	1	Connector		1080	1089 0506 06	6	Terminal	
1070	1079 9901 68	1	Label		1090	1088 0037 31	2	Connector	
1080	1089 0506 06	6	Terminal		1100	1088 0037 30	1	Connector	
1090	1088 0037 31	2	Connector		1110	1089 0506 27	7	Terminal(pe)	
1100	1088 0037 30	1	Connector		1120	1089 9398 11	32	Terminal	
1110	1089 0506 27	7	Terminal(pe)		1130	1088 0031 49	1	Connector	
1120	1089 9398 11	32	Terminal		1140	1088 0031 29	1	Connector	
1130	1088 0031 49	1	Connector		1150	1088 0031 30	1	Connector	
1140	1088 0031 29	1	Connector		1160	1089 0612 01	2	Fuseholder	
1150	1088 0031 30	1	Connector		1170	1089 9415 09	3	Contactblock	
1160	1089 0612 02	2	Fuseholder		1190	1089 0362 51	1	Stopbutton	
1170	1089 9415 06	1	Contactblock		1200	1089 9436 11	1	Transformer	
1190	1089 0362 51	1	Stopbutton		1210	1089 9621 07	2	Circuitbreak.	
1200	1089 9436 11	1	Transformer		1220	1088 0031 13	1	Connector	
1220	1088 0031 13	1	Connector		1230	1089 9436 08	1	Transformer	
1230	1089 9436 08	1	Transformer		1240	1089 9621 06	1	Circuitbreak.	
1250	1089 9438 03	1	Relay		1260	1089 0612 25	2	Fuse	
1260	1089 9168 27	2	Fuselink		1280	1089 9415 17	1	Contactor	
1280	1089 9415 17	1	Contactor		1290	1623 4005 00	2	Strap earthing	
1290	1623 4005 00	2	Strap earthing		1300	1089 9446 73	1	Overloadrelay	
1330	1079 9911 01	1	Label		1410	1089 9337 13	1	Contactblock	
1410	1089 9337 13	1	Contactblock		1420	1089 9337 15	1	Contactblock	
1420	1089 9337 15	1	Contactblock		1450	1089 9415 74	2	Contactor	
1430	1079 9922 74	1	Fuselabel		1460	1089 9415 78	1	Contactor	

38



73845

73845

Cubicle(s)

38

Ref.	Part number	Qty	Name	Remarks	Ref.	Part number	Qty	Name	Remarks
			440-460V(3ph)CSA-UL		1020	1079 9906 09	1	Label	
1010	1621 4047 00	1	Mountingpanel		1030	9823 1897 34	1	Servicediagram	
1020	1079 9906 09	1	Label		1040	1614 8949 23	1	Data plate	
1030	9823 1897 34	1	Servicediagram		1050	1088 0031 12	1	Connector	
1040	1614 8949 23	1	Dataplate		1060	1088 0031 07	1	Connector	
1050	1088 0031 12	1	Connector		1070	1079 9901 68	1	Label	
1060	1088 0031 07	1	Connector		1080	1089 0506 03	6	Terminal	
1070	1079 9901 68	1	Label		1090	1088 0037 31	2	Connector	
1080	1089 0506 06	6	Terminal		1100	1088 0037 30	1	Connector	
1090	1088 0037 31	2	Connector		1110	1089 0506 27	7	Terminal (pe)	
1100	1088 0037 30	1	Connector		1120	1089 9398 11	32	Terminal	
1110	1089 0506 27	7	Terminal(pe)		1160	1089 0612 02	2	Fuse holder	
1120	1089 9398 11	32	Terminal		1190	1089 0362 51	1	Stopbutton	
1130	1088 0031 49	1	Connector		1130	1088 0031 49	1	Connector	
1140	1088 0031 29	1	Connector		1140	1088 0031 29	1	Connector	
1150	1088 0031 30	1	Connector		1150	1088 0031 30	1	Connector	
1160	1089 0612 02	2	Fuseholder		1200	1089 9436 11	1	Transformer	
1170	1089 9415 09	2	Contactblock		1220	1088 0031 13	1	Connector	
1190	1089 0362 51	1	Stopbutton		1230	1089 9436 09	1	Transformer	
1200	1089 9436 11	1	Transformer		1260	1089 9168 27	2	Fuselink	
1220	1088 0031 13	1	Connector		1280	1089 9415 17	1	Contactactor	
1230	1089 9436 08	1	Transformer		1290	1623 4005 00	2	Strap earthing	
1260	1089 9168 27	2	Fuselink		1300	1089 9446 73	1	Overloadrelay	
1280	1089 9415 17	1	Contactactor		1310	1089 9221 39	2	Contactactor	
1290	1623 4005 00	2	Strap earthing		1320	1089 9415 83	1	Contactactor	
1300	1089 9446 73	1	Overloadrelay		1330	1079 9911 01	1	Label	
1310	1089 9415 77	2	Contactactor		1410	1089 9337 13	1	Contactblock	
1320	1089 9415 82	1	Contactactor		1420	1089 9337 15	1	Contactblock	
1330	1079 9911 01	1	Label		1430	1079 9922 74	1	Fuselabel	
1410	1089 9337 13	1	Contactblock					IP55	
1420	1089 9337 15	1	Contactblock			1900 3151 90		Controlpanel	
			575V(3ph)					575V(3ph)	
1010	1621 4047 00	1	Mountingpanel		1010	1621 4047 00	1	Mountingpanel	
1020	1079 9906 09	1	Label		1020	1079 9906 09	1	Label	
1030	9823 1897 34	1	Servicediagram		1030	9823 1897 34	1	Servicediagram	
1040	1614 8949 23	1	Dataplate		1040	1614 8949 23	1	Dataplate	
1050	1088 0031 12	1	Connector		1050	1088 0031 12	1	Connector	
1060	1088 0031 07	1	Connector		1060	1088 0031 07	1	Connector	
1070	1079 9901 68	1	Label		1070	1079 9901 68	1	Label	
1080	1089 0506 06	6	Terminal		1080	1089 0506 06	6	Terminal	
1090	1088 0037 31	2	Connector		1090	1088 0037 31	2	Connector	
1100	1088 0037 30	1	Connector		1100	1088 0037 30	1	Connector	
1110	1089 0506 27	7	Terminal(pe)		1110	1089 0506 27	7	Terminal(pe)	
1120	1089 9398 11	32	Terminal		1120	1089 9398 11	32	Terminal	
1130	1088 0031 49	1	Connector		1130	1088 0031 49	1	Connector	
1140	1088 0031 29	1	Connector		1140	1088 0031 29	1	Connector	
1150	1088 0031 30	1	Connector		1150	1088 0031 30	1	Connector	
1160	1089 0612 02	2	Fuseholder		1160	1089 0612 02	2	Fuseholder	
1170	1089 9415 09	2	Contactblock		1170	1089 9415 09	2	Contactblock	
1190	1089 0362 51	1	Stopbutton		1190	1089 0362 51	1	Stopbutton	
1200	1089 9436 11	1	Transformer		1200	1089 9436 11	1	Transformer	
1220	1088 0031 13	1	Connector		1220	1088 0031 13	1	Connector	
1230	1089 9436 07	1	Transformer		1230	1089 9436 08	1	Transformer	
1260	1089 9168 26	2	Fuselink		1260	1089 9168 27	2	Fuselink	
1280	1089 9415 17	1	Contactactor		1280	1089 9415 17	1	Contactactor	
1290	1623 4005 00	2	Strap earthing		1290	1623 4005 00	2	Strap earthing	
1300	1089 9446 73	1	Overload relay		1300	1089 9446 73	1	Overloadrelay	
1320	1089 9415 83	2	Contactactor		1330	1079 9911 01	1	Label	
1330	1079 9911 01	1	Label		1410	1089 9337 13	1	Contactblock	
1410	1089 9337 13	1	Contact block		1420	1089 9337 15	1	Contactblock	
1420	1089 9337 15	1	Contact block		1430	1079 9922 74	1	Fuselabel	
1460	1089 9415 62	1	Contactactor		1450	1089 9415 63	1	Contactactor	
1010	1621 4049 00	1	Mountingpanel		1460	1089 9415 76	2	Contactactor	

Cubicle(s)

38

Ref.	Part number	Qty	Name	Remarks	Ref.	Part number	Qty	Name	Remarks
	1900 3151 16		Controlpanel		1470	1089 9436 09	1	Transformer	
			380V(3ph)					440-460V(3ph)IEC	
			500V(3ph)					500V(3ph)	
1010	1621 4047 00	1	Mountingpanel		1010	1621 4047 00	1	Mountingpanel	
1020	1079 9906 09	1	Label		1020	1079 9906 09	1	Label	
1030	9823 1897 34	1	Servicediagram		1030	9823 1897 34	1	Servicediagram	
1040	1613 6639 00	1	Dataplate		1040	1613 6639 00	1	Dataplate	
1050	1088 0031 12	1	Connector		1050	1088 0031 12	1	Connector	
1060	1088 0031 07	1	Connector		1060	1088 0031 07	1	Connector	
1070	1079 9901 68	1	Label		1070	1079 9901 68	1	Label	
1080	1089 0506 06	6	Terminal		1080	1089 0506 06	6	Terminal	
1090	1088 0037 31	2	Connector		1090	1088 0037 31	2	Connector	
1100	1088 0037 30	1	Connector		1100	1088 0037 30	1	Connector	
1110	1089 0506 27	7	Terminal(pe)		1110	1089 0506 27	7	Terminal(pe)	
1120	1089 9398 11	31	Terminal		1120	1089 9398 11	32	Terminal	
1130	1088 0031 49	1	Connector		1130	1088 0031 49	1	Connector	
1140	1088 0031 29	1	Connector		1140	1088 0031 29	1	Connector	
1150	1088 0031 30	1	Connector		1150	1088 0031 30	1	Connector	
1160	1089 0612 01	2	Fuseholder		1160	1089 0612 01	2	Fuseholder	
1170	1089 9415 09	3	Contactblock		1170	1089 9415 09	2	Contactblock	
1190	1089 0362 51	1	Stopbutton		1190	1089 0362 51	1	Stopbutton	
1200	1089 9436 11	1	Transformer		1200	1089 9436 11	1	Transformer	
1210	1089 9621 07	2	Circuitbreak.		1210	1089 9621 07	2	Circuitbreak.	
1220	1088 0031 13	1	Connector		1220	1088 0031 13	1	Connector	
1230	1089 9436 08	1	Transformer		1240	1089 9621 06	1	Circuitbreak.	
1240	1089 9621 06	1	Circuitbreak.		1260	1089 0612 25	2	Fuse	
1260	1089 0612 25	2	Fuse		1270	1089 9436 08	1	Transformer	
1280	1089 9415 17	1	Contactactor		1280	1089 9415 17	1	Contactactor	
1290	1623 4005 00	2	Strap earthing		1290	1623 4005 00	2	Strap earthing	
1300	1089 9446 73	1	Overloadrelay		1300	1089 9446 73	1	Overloadrelay	
1410	1089 9337 13	1	Contactblock		1410	1089 9337 13	1	Contactblock	
1420	1089 9337 15	1	Contactblock		1420	1089 9337 15	1	Contactblock	
1450	1089 9415 75	2	Contactactor		1450	1089 9415 74	2	Contactactor	
1460	1089 9415 80	1	Contactactor		1460	1089 9415 80	1	Contactactor	
			380V(3ph)					400V(3ph)	
			400V(3ph)					440-460V(3ph)IEC	
			440-460V(3ph)IEC		1010	1621 4049 00	1	Mountingpanel	
1010	1621 4049 00	1	Mountingpanel		1020	1079 9906 09	1	Label	
1020	1079 9906 09	1	Label		1030	9823 1897 34	1	Servicediagram	
1030	9823 1897 34	1	Servicediagram		1040	1613 6639 00	1	Dataplate	
1040	1613 6639 00	1	Dataplate		1050	1088 0031 12	1	Connector	
1050	1088 0031 12	1	Connector		1060	1088 0031 07	1	Connector	
1060	1088 0031 07	1	Connector		1070	1079 9901 68	1	Label	
1070	1079 9901 68	1	Label		1080	1089 0506 06	6	Terminal	
1080	1089 0506 06	6	Terminal		1090	1088 0037 31	2	Connector	
1090	1088 0037 31	2	Connector		1100	1088 0037 30	1	Connector	
1100	1088 0037 30	1	Connector		1110	1089 0506 27	7	Terminal(pe)	
1110	1089 0506 27	7	Terminal(pe)		1120	1089 9398 11	32	Terminal	
1120	1089 9398 11	32	Terminal		1130	1088 0031 49	1	Connector	
1130	1088 0031 49	1	Connector		1140	1088 0031 29	1	Connector	
1140	1088 0031 29	1	Connector		1150	1088 0031 30	1	Connector	
1150	1088 0031 30	1	Connector		1160	1089 0612 01	2	Fuseholder	
1160	1089 0612 01	2	Fuseholder		1190	1089 0362 51	1	Stopbutton	
1170	1088 0031 13	1	Connector		1200	1089 9436 11	1	Transformer	
1190	1089 0362 51	1	Stopbutton		1210	1089 9621 07	3	Circuitbreak.	
1200	1089 9436 11	1	Transformer		1220	1088 0031 13	1	Connector	
1210	1089 9621 07	3	Circuitbreak.		1230	1089 9436 09	1	Transformer	
1260	1089 0612 25	2	Fuse		1260	1089 0612 25	2	Fuse	
1280	1089 9415 17	1	Contactactor		1280	1089 9415 17	1	Contactactor	
1290	1623 4005 00	2	Strap earthing		1290	1623 4005 00	2	Strap earthing	
1300	1089 9446 73	1	Overloadrelay		1300	1089 9446 73	1	Overloadrelay	
1410	1089 9337 13	1	Contactblock		1410	1089 9337 13	1	Contactblock	
1420	1089 9337 15	1	Contactblock		1420	1089 9337 15	1	Contactblock	
1440	1089 9221 13	2	Contactactor		1440	1089 9221 15	2	Contactactor	
1450	1089 9415 74	1	Contactactor		1450	1089 9415 75	1	Contactactor	

Atlas Copco Stationary Air Compressors

GA 315 50 Hz, GA 355, GA 400, GA 450, GA 500,
GA 315 W 50 Hz, GA 355 W, GA 400 W, GA 450 W,
GA 500

Parts list

What sets Atlas Copco apart as a company is our conviction that we can only excel in what we do if we provide the best possible know-how and technology to really help our customers produce, grow and succeed.

There is a unique way of achieving that - we simply call it the Atlas Copco way. It builds on **interaction**, on long-term relationships and involvement in the customers' process, needs and objectives. It means having the flexibility to adapt to the diverse demands of the people we cater for.

It's the **commitment** to our customers' business that drives our effort towards increasing their productivity through better solutions. It starts with fully supporting existing products and continuously doing things better, but it goes much further, creating advances in technology through **innovation**. Not for the sake of technology, but for the sake of our customer's bottom line and peace-of-mind.

That is how Atlas Copco will strive to remain the first choice, to succeed in attracting new business and to maintain our position as the industry leader.

