



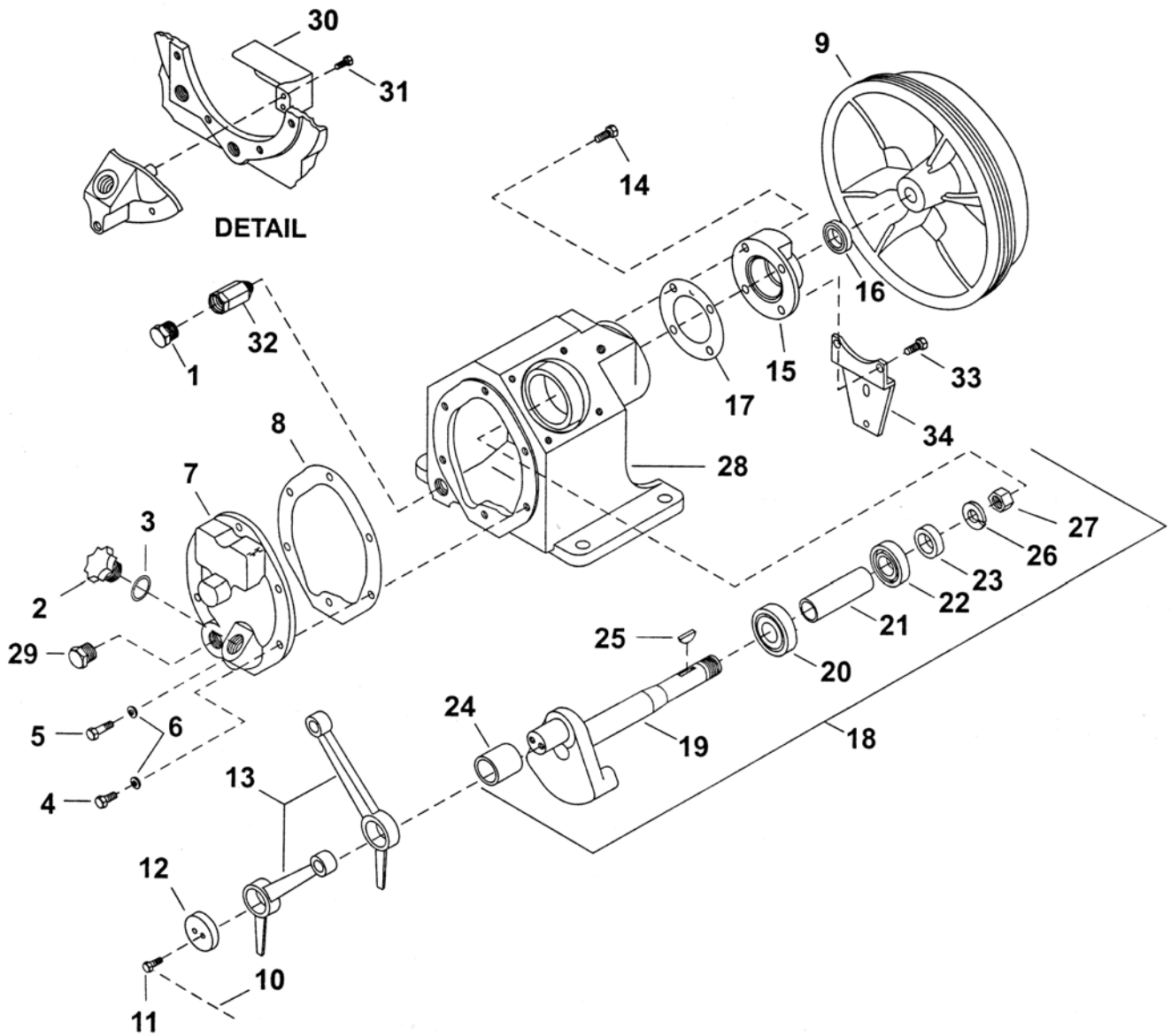
PARTS LIST

Model 2340,2475,2545

NANJING INGERSOLL-RAND COMPRESSOR CO., LTD.

**Form NIRC 01-3107
2004.06**

FIGURE 1 MODEL 2340 COMPRESSOR FRAME ASSEMBLY

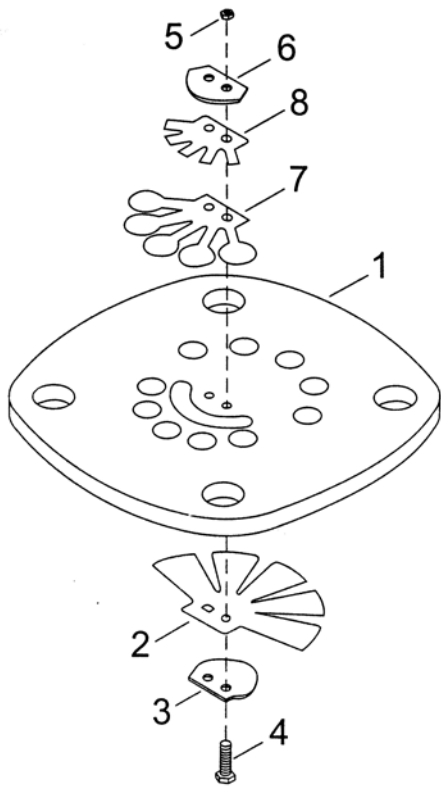


NO	CCN	DESCRIPTION	QTY	REC.SPARES		
				1	2	3
1-1	95033601	PLUG PIPE HEX HEAD 3/8	1			
1-2	37127065	PLUG OIL FILTER	1			
1-3	95022158	O-RING	1	1	1	2
1-4	95105243	CAPSCREW HEX HEAD 5/16-18x7/8"	5			
1-5	95002978	CAPSCREW HEX HEAD 5/16-18x1-1/4"	1			
1-6	95674651	GASKET COPPER WASHER	6			
1-7	37127123	COVER FRAME END	1			
1-8	32293680	GASKET FRAME END COVER	1	1	1	2
1-9	32498974	BELTWHEEL(CLOCKWISE ROTATION WHEN FACING UNIT)	1			
1-9	32293698	BELTWHEEL(COUNTER-CLOCKWISE ROTATION WHEN FACING UNIT)	1			
1-10	90799289	LOCKWIRE 12GA"x5"	2			
1-11	30278709	CAPSCREW LOCK1/4-20x3/4"	1			
1-12	30210314	CAP CRANKPIN	2			
1-13	32004145	ROD CONNECTING	2		2	2
1-14	95105243	CAPSCREW HEX 5/16-18x7/8"	1			
1-15	37127032	COVER SHAFT END	1			
1-16	32204521	SEAL OIL	1			
1-17	32293672	GASKET SHAFT END COVER	1	1	1	2
1-18	32496549	CRANKSHAFT COMPLETE	1			
1-19	32293821	. ASSY,DISC/SHAFT	1			
1-20	95930400	. BEARING BALL	1			
1-21	37127016	. SPACER CRANKSHAFT BEARING	1			
1-22	95951216	. BEARING BALL-W/SNAP RING	1			
1-23	37127024	. RING BEARING RETAINER	1			
1-24	30289813	. BUSHING CRANKPIN	1			
1-25	95433173	. KEY WOODRUFF	1			
1-26	95081790	. LOCKWASHER 5/8"	1			
1-27	95076808	. NUT HEX 5/8-18	1			
1-28	30222327	FRAME COMPRESSOR	1			
1-29	95200333	PLUG PIPE HEX HEAD 3/4"	1			
1-30	32270639	BAFFLE OIL LEVEL(SEE NOTE)	1			
1-31	95053070	CAPSCREW HEX 1/4-20x1/2"(SEE NOTE)	2			
1-32	70235049	ADAPTER DRAIN EXTENSION	1			
1-33	95105243	CAPSCREW HEX 5/16-18x7/8"(SEE NOTE)	2			
1-34	97331011	BRACKET INTERCOOLER CLAMP	1			

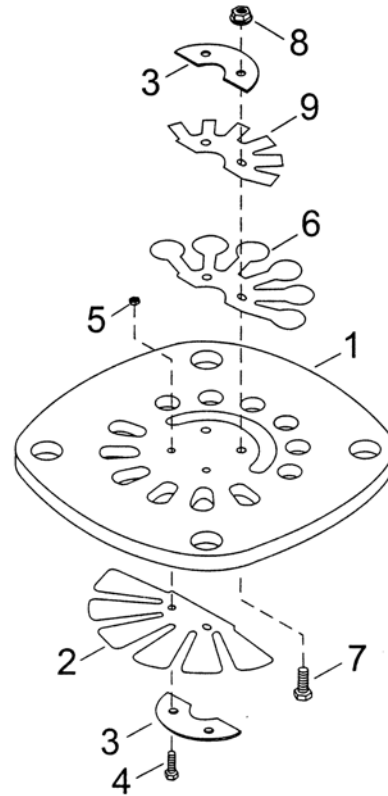
NOTE:

ITEMS 30,31,32,33 PROVIDED IF LOW OIL LEVEL SWITCH IS SUPPLIED

**FIGURE 2 HIGH PRESSURE VALVE
PLATE ASSEMBLY**



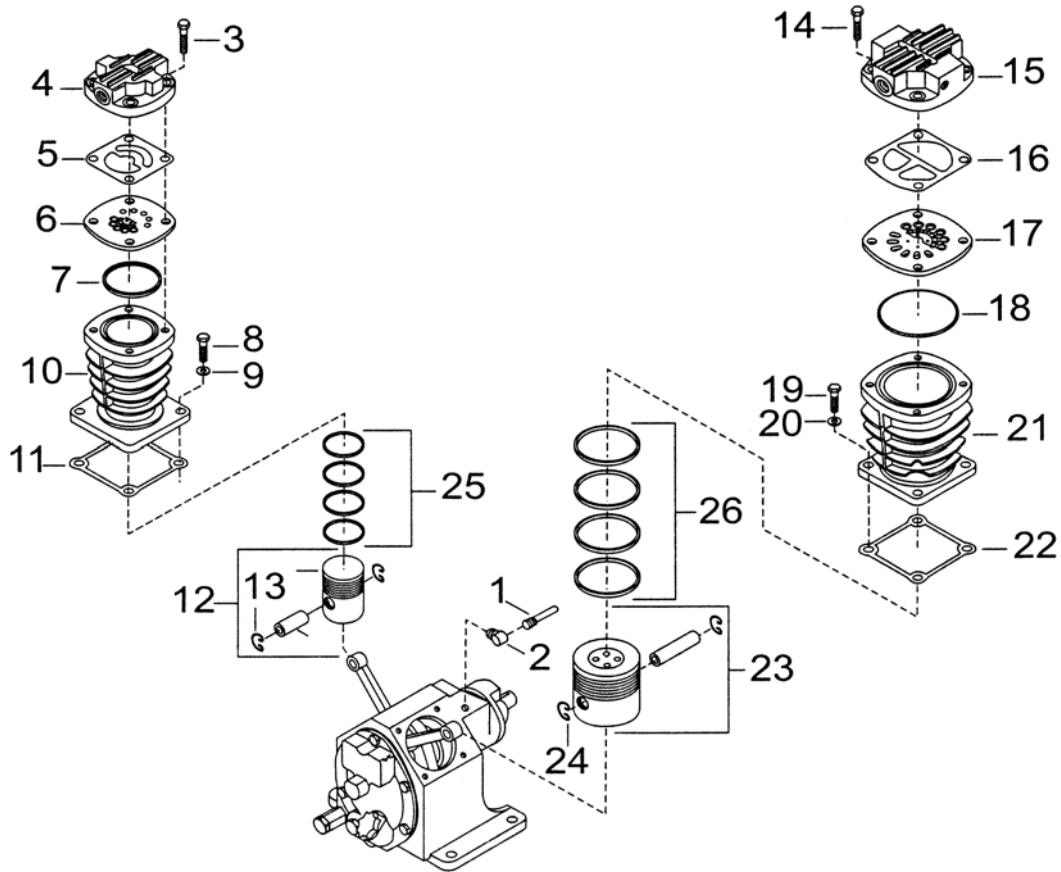
**FIGURE 3 LOW PRESSURE VALVE
PLATE ASSEMBLY**



NO	CCN	DESCRIPTION	QTY	REC.SPARES		
				1	2	3
REF	32310799	ASSY,VALVE PALTE-HP	1			
2-1	NSS	PLATE,VALVE-HP	1			
2-2	32236671	VALVE,FINGRT-HP INLET	1			
2-3	32297343	RETAINER,VALVE HP	1			
2-4	32297327	CREW M3x12	2			
2-5	97511059	NUT,HEX M3 W/LOCK WASHER	2			
2-6	32295461	RETAINER,VALVE HP	1			
2-7	32241010	VALVE,FINGER-HP DISCHARGE	1			
2-8	32295479	DAMPER VALVE	1			

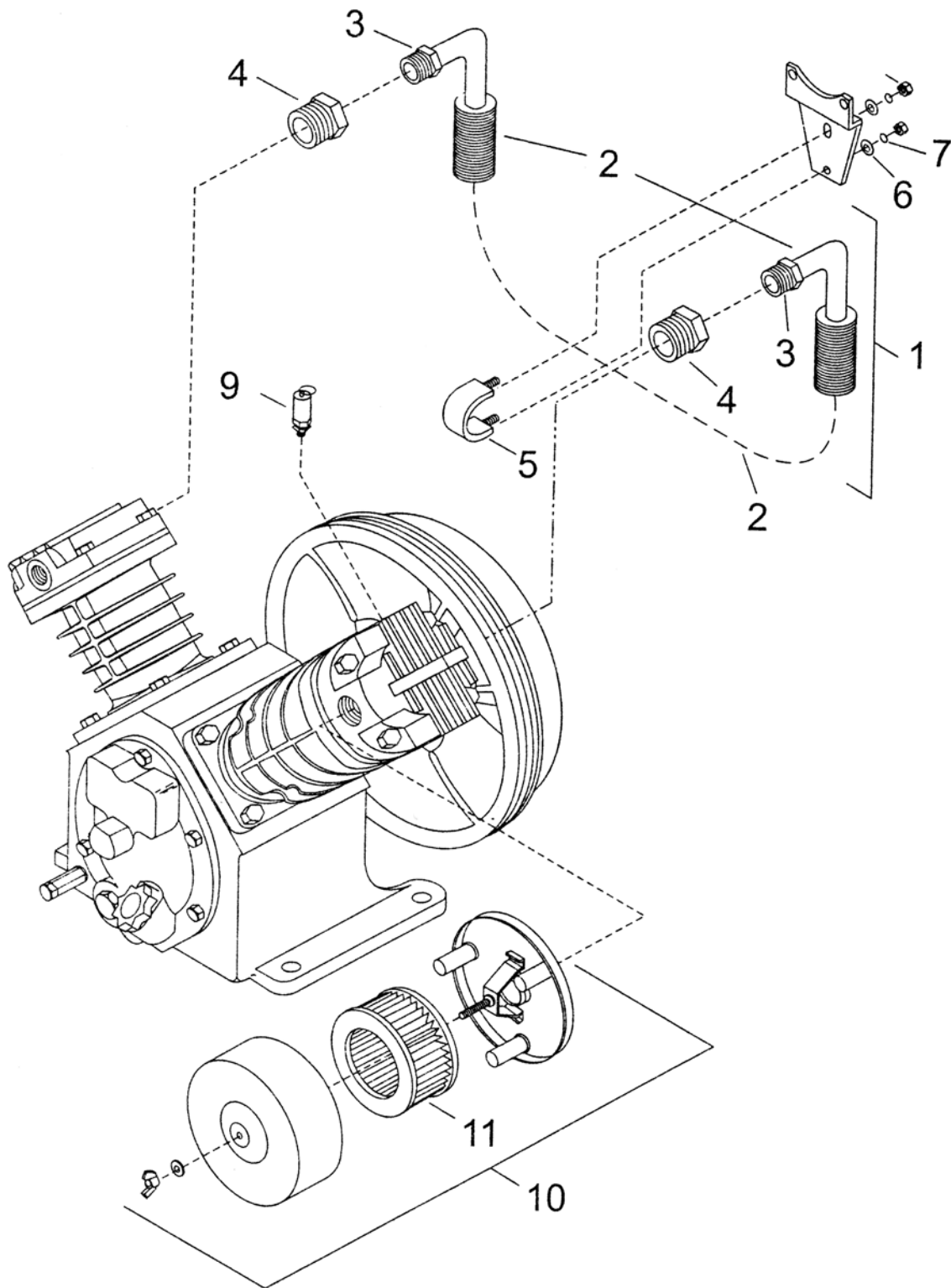
NO	CCN	DESCRIPTION	QTY	REC.SPARES		
				1	2	3
REF	32310807	ASSY,VALVE PALTE-HP	1			
3-1	NSS	PLATE,VALVE-LP	1			
3-2	32241002	VALVE,FINGRT-LP INLET	1			
3-3	97511091	RETAINER,VALVE LP	2			
3-4	32297327	CREW M3x12	2			
3-5	97511059	NUT,HEX M3 W/LOCK WASHER	2			
3-6	32241036	VALVE,FINGER-LP DISCHARGE	1			
3-7	32247512	SCREW M4x12 HEX HEAD	2			
3-8	32248171	NUT,HEX M4	2			
3-9	32294472	DAMPER VALVE	1			

FIGURE 4 2340 BARE COMPRESSOR



NO	CCN	DESCRIPTION	QTY	REC.SPARES		
				1	2	3
4-1	32295651	ASSY,TUBE BREATHER	1			
4-2	95031860	ELBOW TUBE 5/16x1/8"	2			
4-3	95104188	CAPSCREW HEX-1/2-13x1-3/4	4			
4-4	32247827	HEAD HP	1			
4-5	32247926	GASKET,HEAD-HP	1	1	1	2
4-6	REF	ASSY,VALVE PLATE-HP	1		1	1
4-7	32246878	O-RING	1		1	1
4-8	95035333	CAPSCREW HEX-3/8-16x1"	4			
4-9	95674677	GASKET,COPPER-3/8"	4			
4-10	32294415	CYLINDER,AIR-HP	1			
4-11	32293623	GASKET,FLANGE	1	1	1	2
4-12	32496606	ASSY,HP PISTON COMPLETE	1		1	1
4-13	35151067	. RING LOCK	2			
4-14	95104188	CAPSCREW HEX 1/2-13x3/4"	4			
4-15	32247694	HEAD,LP	1			
4-16	32247934	GASKET,HEAD-LP	1	1	1	2
4-17	REF	ASSY,VALVE PLATE-LP	1		1	1
4-18	32246910	O-RING	1		1	1
4-19	95035333	CAPSCREW HEX-3/8-16x1"	4			
4-20	95674677	GASKET,COPPER-3/8"	4			
4-21	32293656	CYLINDER,AIR-LP	1			
4-22	32293623	GASKET,FLANGE	1	1	1	2
4-23	32496572	ASSY,LP PISTON COMPLETE	1		1	1
4-24	35151067	. RING LOCK	2			
4-25	37138237	SET,RING-HP	1			
4-26	32194276	SET,RING-LP	1			

FIGURE 5 INTERCOOLER ASSEMBLY



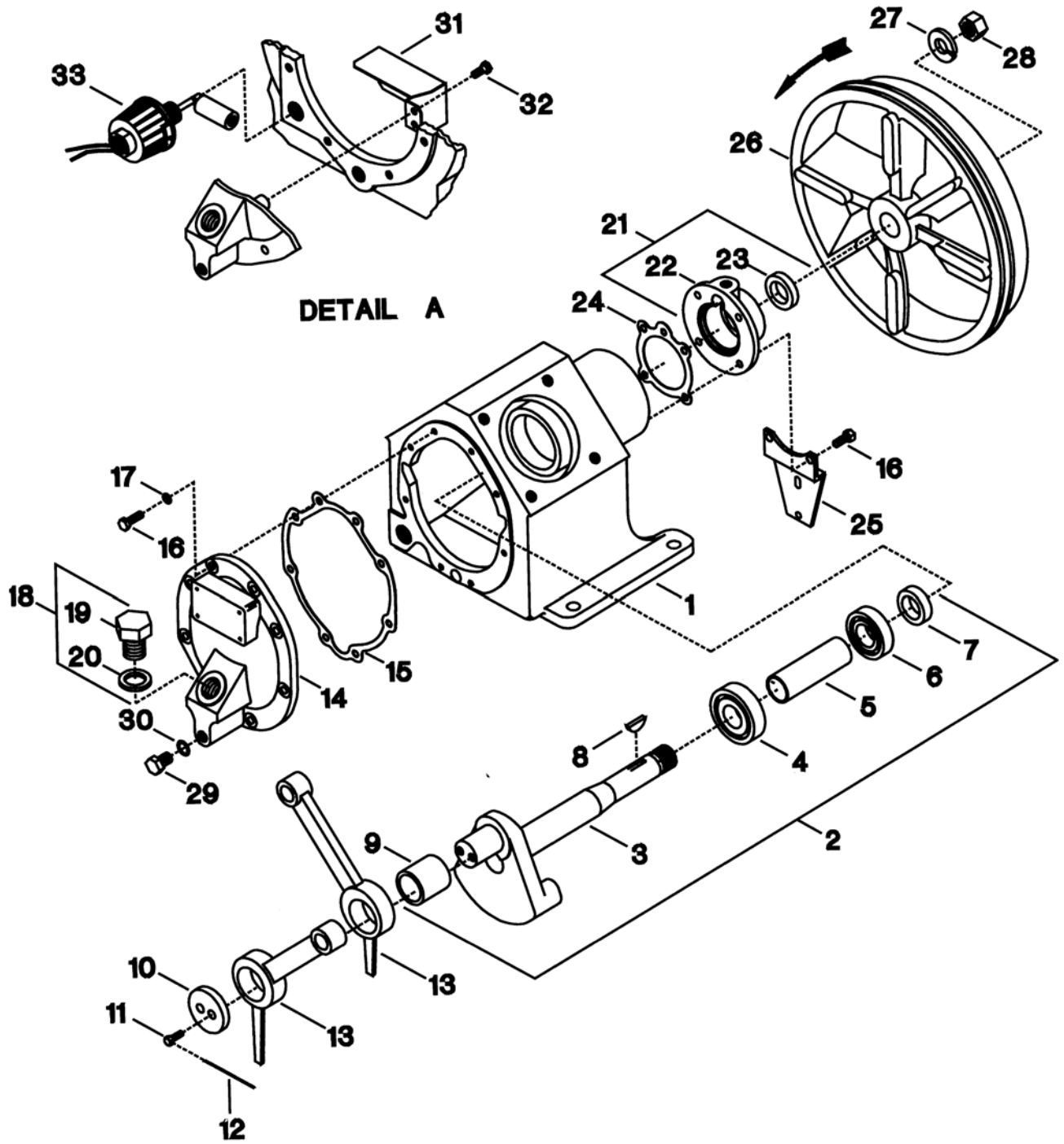
NO	CLOCKWISE	DESCRIPTION	QTY	REC.SPACES		
	CCN			1	2	3
5-1	97331003	ASSY,INTERCOOLER	1		1	1
5-2	97330997	. INTERCOOLER	1			
5-3	95108577	. NUT TUBE-3/4"	2			
5-4	95083275	.CONNECTOR,TUBE 3/4"x3/4"	2			
5-5	32247942	CLAMP,INTERCOOLER	1			
5-6	95094298	WASHER FLAT,1/4"	2			
5-7	32035479	LOCKWASHER SPRING 1/4"	2			
5-8	95416335	NUT HEX 1/4-20	2			
5-9	72062185	VALVE RELIEF 80PSIG	1			
5-10	32170953	FILTER INLET COMPLETE	1		1	2
5-11	32170979	. ELEMENT,FILTER-10MICRON	1	1	1	1
NO	COUNTER CLOCKWISE	DESCRIPTION	QTY	REC.SPACES		
	CCN			1	2	3
5-1	32293706	ASSY,INTERCOOLER	1		1	1
5-2	32295545	. INTERCOOLER	1			
5-3	95108577	. NUT TUBE-3/4"	2			
5-4	95031761	. CONNECTOR,TUBE 3/4"x3/4"	2			
5-5	N/A	CLAMP,INTERCOOLER	1			
5-6	N/A	WASHER FLAT,1/4"	2			
5-7	N/A	LOCKWASHER SPRING 1/4"	2			
5-8	N/A	NUT HEX 1/4-20	2			
5-9	72062185	VALVE RELIEF 80PSIG	1			
5-10	32170953	FILTER INLET COMPLETE	1		1	2
5-11	32170979	. ELEMENT,FILTER-10MICRON	1	1	1	1

FIGURE 6 MODEL 2340 COMPRESSOR DRIVE AIR RECEIVER AND ACCESSORIES



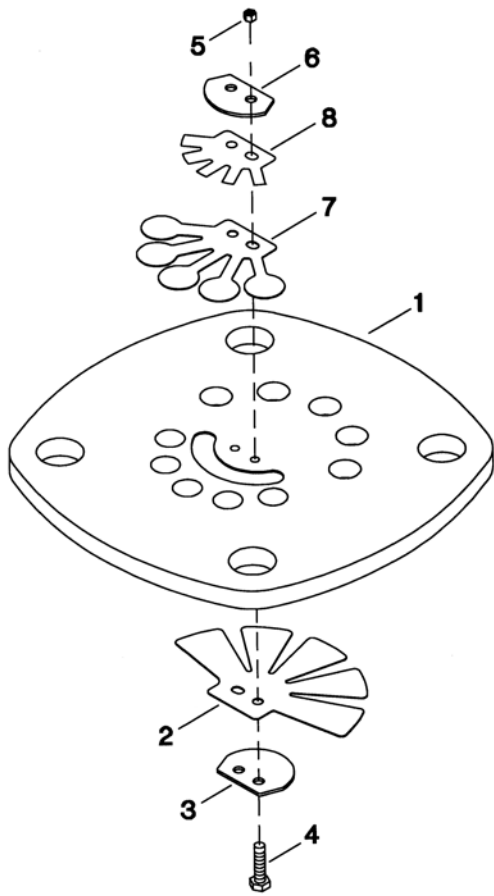
No	CCN	DESCRIPTION	QTY	REMARKS
6-1	70244322	BARE 2340	1	
6-2	21993423	ELBOW TUBE 5/8"	1	
6-3	21980008	CHECK VALVE 5/8"	1	
6-4	95245320	BUSHING NPT3/40NPT1"	1	
6-5	21972385	RECEIVER HORIZONTAL 150L	1	SSA**
6-5	21972500	RECEIVER HORIZONTAL 150L	1	ASA**
6-5	21978069	RECEIVER HORIZONTAL 150L	1	CSA**
6-5	21972393	RECEIVER HORIZONTAL 230L	1	SSA**
6-5	21978002	RECEIVER HORIZONTAL 230L	1	ASA**
6-5	21978077	RECEIVER HORIZONTAL 230L	1	CSA**
6-6	21995402	&140 RUBBER WHEEL	4	
6-7	21965256	DOL STARTER 3HP/380-415V/3ph/50Hz	1	
6-7	21965231	DOL STARTER 3HP/220V/1ph/50Hz	1	
6-8	15830052	BALL VALVE(DRAIN) NPT1/2"	1	
6-9	21980727	BALLVALVE 3/8"	1	
6-10	21982335	PRESSURE GAUGE NPT1/4X300PSIG	1	
6-11	21981923	PRESSURE SWITCH MDR4	1	175PSIG
6-11	21981915	PRESSURE SWITCH MDR2	1	125 PSIG
6-12	15831456	MOTOR 3HP/380-415V/3ph/50Hz	1	
6-12	21979497	MOTOR 3HP/220V/1ph/50Hz	1	
6-13	21982814	BELTGUARD STEEL WIRE	1	
6-14	15834278	PULLEY MOTOR SPA260-1-28	1	2340L3/12,2340K3/12
6-14	21967146	PULLEY MOTOR	1	2340L3S/12
6-15	21962865	V BELT SPA1857	1	2340L3/12,2340K3/12
6-15	21962733	V BELT SPA1707	1	2340L3/12
6-16	32174280	SAFETY VALVE NPT1/4X325PSIG	1	
** SSA—SINGAPORE SERVED AREA				
ASA—AUSTRICAL SERVED AREA				
CSA-CHINA SERVED AREA				

FIGURE1. MODEL 2475 COMPRESSOR FRAME ASSEMBLY(DIRECTION OF ROTATION ARROW SHOWN IS FOR ELECTRIC DRIVEN PACKAGE BELTWHEELS. GASOLINE ENGINE DRIVEN PACKAGE BELT WHEELS HAVE REVERSE ROTATION)

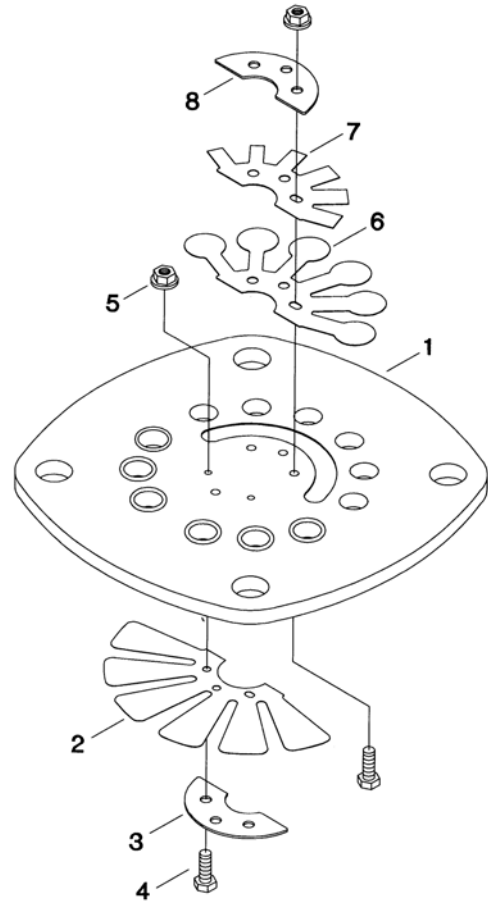


NO	CCN	DESCRIPTION	QTY	REC.SPACES		
				1	2	3
1-1	32247728	FRAME,COMPRESSOR	1			
1-2	32293565	ASSEMBLY,CRANKSHAFT COMPLETE	1			
1-3	NSS	. ASSEMBLY,DISK&SHAFT	1			
1-4	32248122	. BEARING,BALL	1			
1-5	32006496	. SPACER,CRANKSHAFT BEARING	1			
1-6	95213666	. BEARING,BALL WITH SNAP RING	1			
1-7	37127669	. RING,BEARING RETAINER	1			
1-8	95433173	. KEY,WOODRUFF	1			
1-9	30210199	. BUSHING,CRANKPIN	1			
1-10	30210298	CAP,CRANKPIN	1			
1-11	30278667	CAPSCREW 3/8-16x7/8"	2			
1-12	90799289	LOCKWIRE 12GAx5"	1			
1-13	32004152	ROD CONNECTING	2			
1-14	32496663	COVER FRAME END	1			
1-15	32247884	GASKET FRAME END COVER	1	1	1	2
1-16	95105250	CAPSCREW 5/16-15x1"	12			
1-17	95674651	GASKET COPPER WASHER 5/16	8			
1-18	32279549	PLUG OIL FILTER COMPLETE	1			
1-19	NSS	. PLUG OIL FILLER	1			
1-20	32247850	. O RING OIL FILLER PLUG	1	1	1	2
1-21	97331060	ASSEMBLY,SHAFT END COVER	1			
1-22	NSS	. COVER SHAFT END	1			
1-23	32499923	. SEAL	1		1	2
1-24	32247876	GASKET,SHAFT END COVER	1	1	1	2
1-25	32157349	BRACKET,INTERCOOLER CLAMP	1			
1-26	32496432	BELTWHEEL ELECTRIC DRIVE	1			
1-26	32247975	BELTWHEEL GASOLINE DRIVE	1			
1-27	95081808	. LOCKWASHER SPRING 3/4"	1		1	2
1-28	95076816	NUT HEX	1	1	1	2
1-29	95053526	CAPSCREW 1/2-12x3/4"	1			
1-30	95674701	GASKET COPPER	1			
1-31	32295222	BAFFLE OIL LEVEL SWITCH	1			
1-32	95053070	CAPSCREW	2			
1-33	32276313	SWITCH LOW OIL LEVEL	1			

**FIGURE 2 HIGH PRESSURE VALVE
PLATE ASSEMBLY**



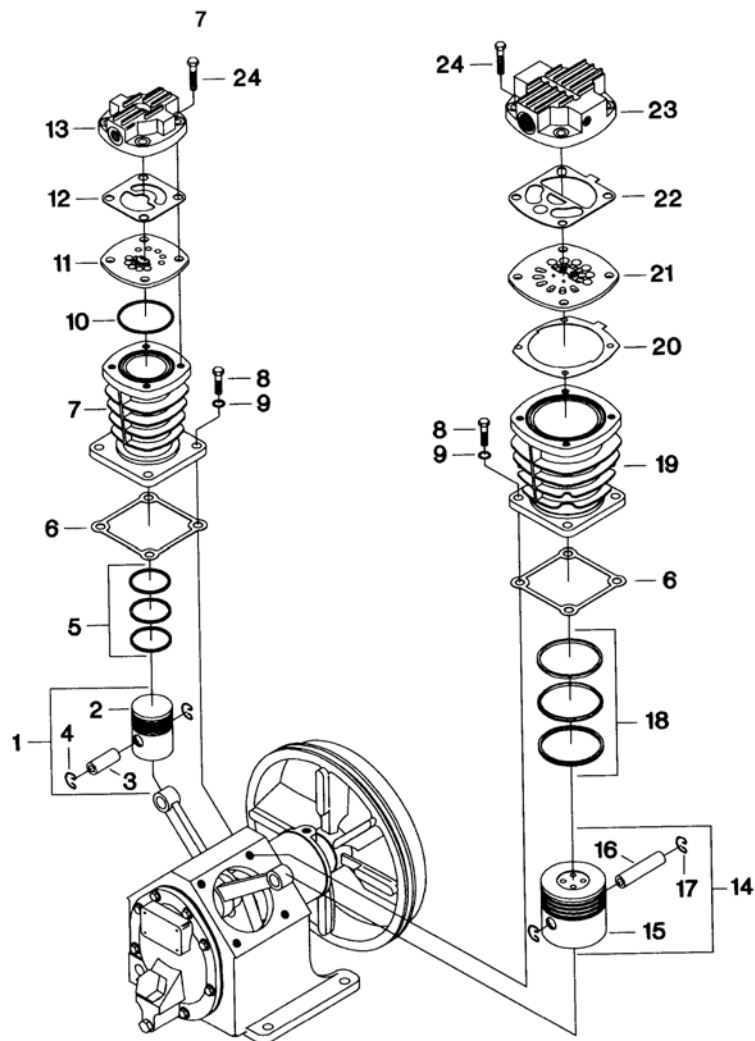
**FIGURE 3 LOW PRESSURE VALVE
PLATE ASSEMBLY**



NO	CCN	DESCRIPTION	QTY	REC.SPACES		
				1	2	3
REF	32310799	ASSEMBLY VALVE PLATE-H.P.	1		1	1
2-1	NSS	. PLATE VALVE -H.P.	1			
2-2	32236671	. VALVE FINGER-INLET	1	1	1	2
2-3	32297343	. RETAINER VALVE H.P.	1			
2-4	32297327	. SCREW HEX HEAD M3x12	2			
2-5	97511059	. NUT HEX M3 WITH LOCKWASHER	2			
2-6	32295461	. RETAINER FINGER VALVE-DISCHARGE	1			
2-7	32241010	. VALVE FINGER-DISCHARGE	1	1	1	2
2-8	32295479	. VALVE DAMPER-DISCHARGE	1			

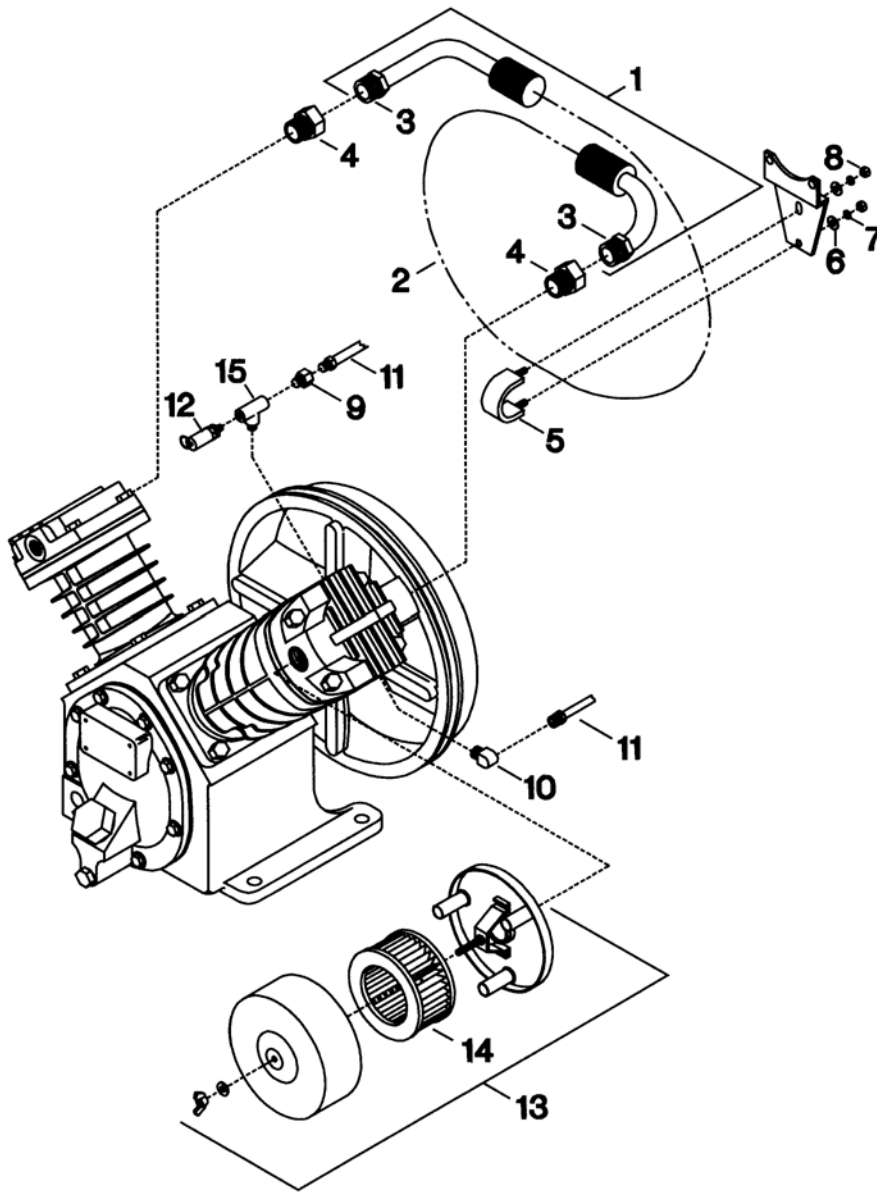
NO	CCN	DESCRIPTION	QTY	REC.SPACES		
				1	2	3
REF	32248205	ASSEMBLY VALVE PLATE	1		1	1
3-1	NSS	. PLATE VALVE L.P.	1		1	1
3-2	32248130	. VALVE FINGER-INLET	1	1	1	2
3-3	32248148	. RETAINER,FINGER VALVE-INLET	1			
3-4	32247512	. SCREW HEX HEAD M4x12	6			
3-5	32248171	. NUT HEX M4 WITH LOCKWASHER	6			
3-6	32248155	. VALVE FINGER-DISCHARGE	1	1	1	2
3-7	32294464	. VALVE DAMPER-DISCHARGE	1			
3-8	32248163	. VALVE RETAINER-DISCHARGE	1			

FIGURE4 MODEL 2475 BARE COMPRESSOR



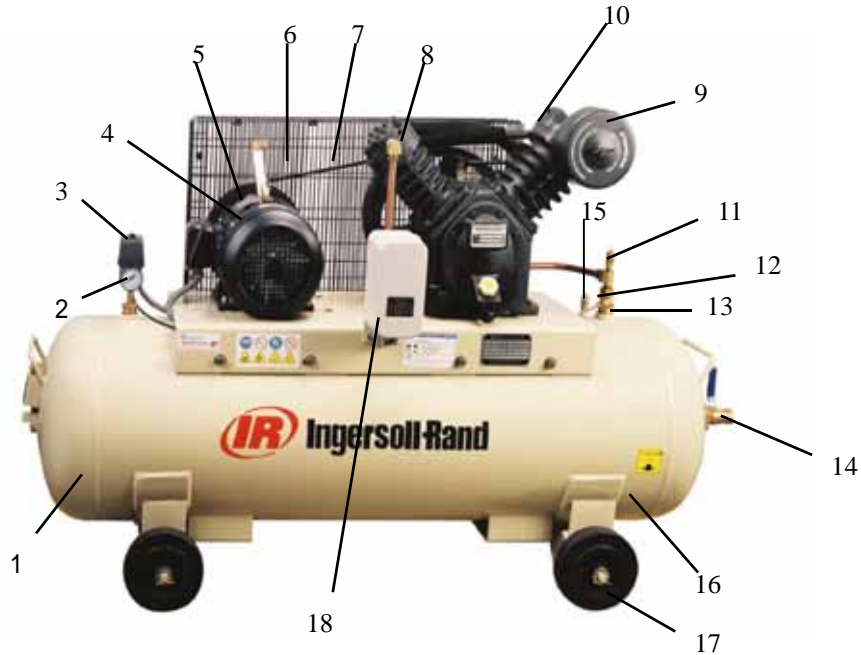
NO	CCN	DESCRIPTION	QTY	REC.SPACES		
4-1	32496598	PISTON AIR COMPLETE-2.5"H.P.	1	1	2	3
4-2	NSS	. PISTON AIR 2.5"	1			
4-3	30287783	. PIN PISTON	1			
4-4	30298020	. RING LOCK	2			
4-5	32307910	SET PISTON RING 2.5"	1	1	1	2
4-6	32247868	GASKET CYLINDER/FLANGE	2	2	2	4
4-7	32247652	CYLINDER 2.5"-H.P.	1			
4-8	95053567	CAPSCREW HEX 1/2-13x1-1/4"	8			
4-9	95674701	GASKET COPPER 1/2"	8			
4-10	32246878	O-RING VALVE PLATE-H.P.	1	1	1	2
4-11	32310799	ASSEMBLY VALVE PLATE-H.P.	1		1	1
4-12	32247926	GASKET AIRHEAD-H.P.	1	1	1	2
4-13	32247827	AIRHEAD-H.P.	1			
4-14	32496564	PISTON AIR COMPLETE-4"L.P.	1		1	1
4-15	NSS	. PISTON AIR 4"	1			
4-16	30288393	. PIN PISTON	1			
4-17	30298020	. RING LOCK	2			
4-18	32307928	SET PISTON RING 4"	1	1	1	2
4-19	32293540	CYLINDER 4"-L.P.	1			
4-20	32248197	GASKET VALVE PLATE-L.P.	1	1	1	2
4-21	32248205	ASSEMBLY VALVE PLATE-L.P.	1		1	1
4-22	32248189	GASKET AIRHEAD-L.P.	1	1	1	2
4-23	32293557	AIRHEAD-L.P.	1			
4-24	95104188	CAPSCREW HEX 1/2-13x1-3/4"	8			

FIGURE 5 INTERCOOLER ASSEMBLY



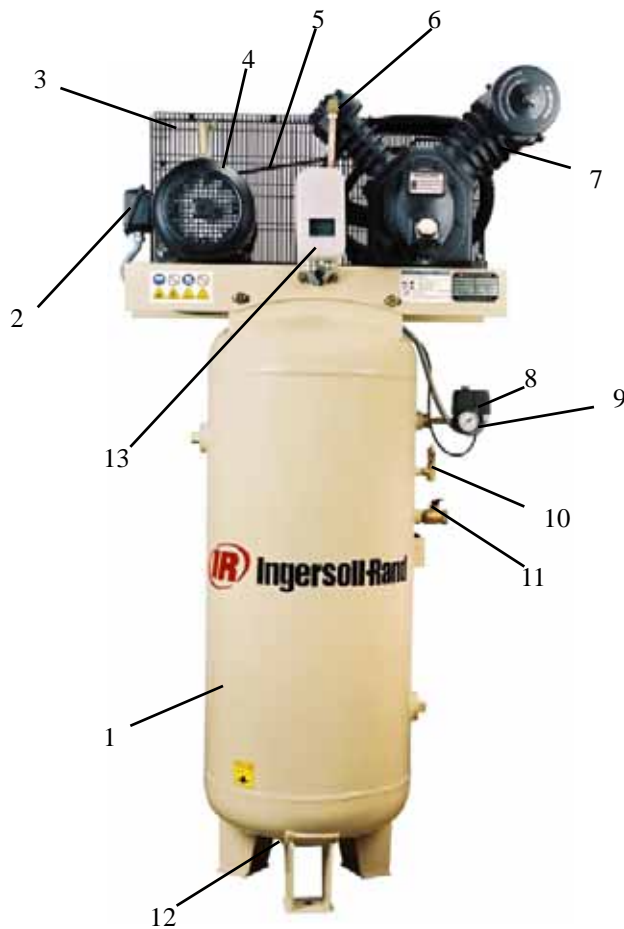
NO	CCN	DESCRIPTION	QTY	REC.SPACES		
				1	2	3
5-1	32499196	ASSEMBLY INTERCOOLER	1	1	2	3
5-2	32499204	. INTERCOOLER	1	1		
5-3	95108577	. NUT TUBE 3/4"	2			
5-4	95083275	CONNECTOR TUBE	2			
5-5	32247942	CLAMP,INTERCOOLER	1			
5-6	95094298	WASHER FLAT 1/4"	2			
5-7	32035479	LOCKWASHER SPRING 1/4"	2			
5-8	95416335	NUT HEX 1/4-20	2			
5-9	95082483	CONNECTOR TUBE	1			
5-10	95031860	ELBOW TUBE	1			
5-11	32247892	ASSEMBLY TUBE BREATHER	1			
5-12	72062185	VALVE RELIEF-80PSIG	1			
5-13	32170953	FILTER INLET COMPLETE	1		1	2
5-14	32170979	. ELEMENT FILTER-10 MICRON	1	1	1	1
5-15	32221228	TEE MALE	1			

FIGURE 6 MODEL COMPRESSOR DRIVE AIR RECEIVER AND ACCESSORIES



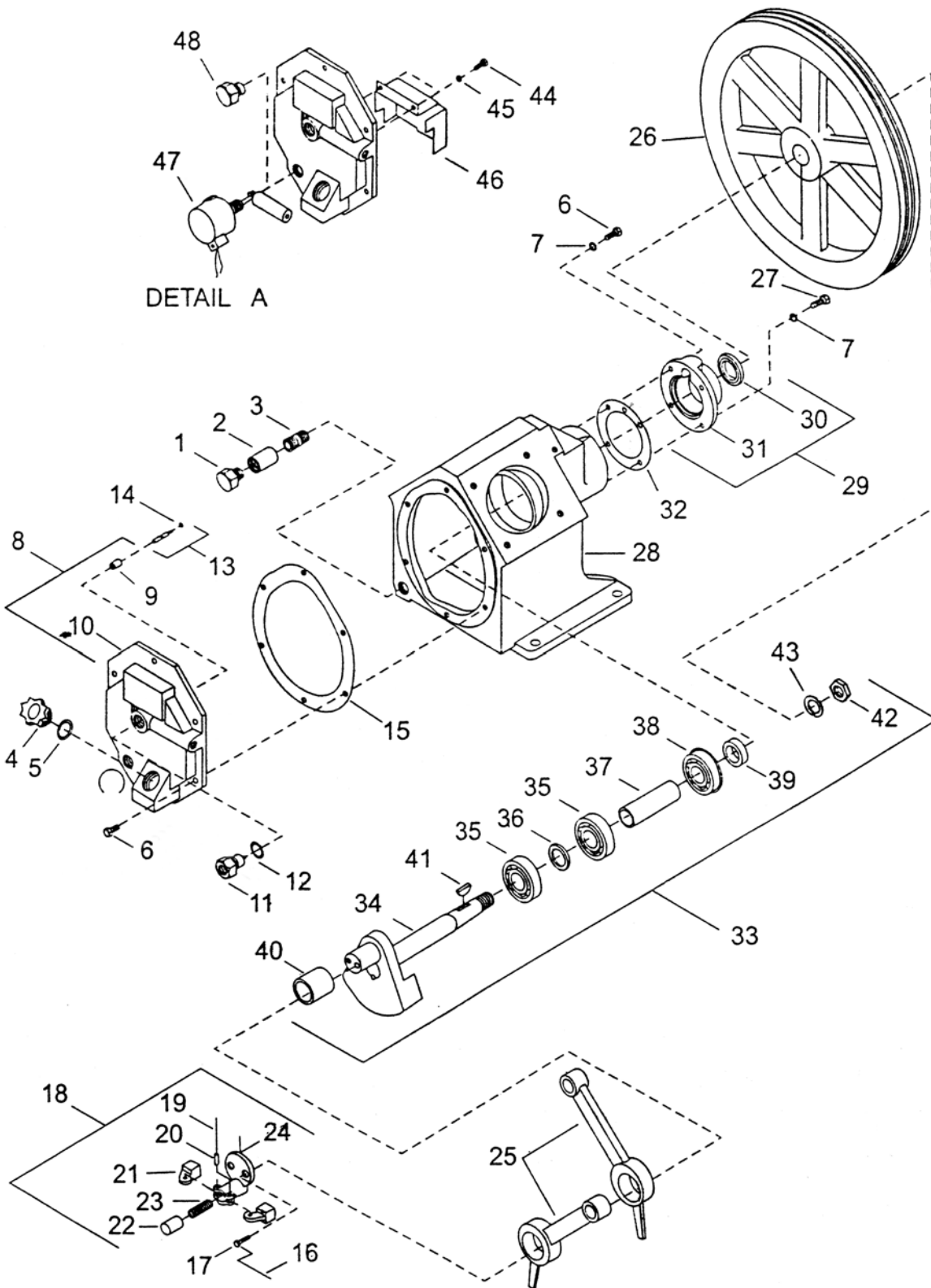
No	CCN	DESCRIPTION	QTY	REMARKS
6-1	21972393	RECEIVER HORIZONTAL-230L	1	SSA**
6-1	21978002	RECEIVER HORIZONTAL-230L	1	ASA**
6-1	21978077	RECEIVER HORIZONTAL-230L	1	CSA**
6-1	21972385	RECEIVER HORIZONTAL-150L	1	SSA**
6-1	21972500	RECEIVER HORIZONTAL-150L	1	ASA**
6-1	21978069	RECEIVER HORIZONTAL-150L	1	CSA**
6-2	21982335	GAUGE PRESSURE NPT1/4X300PSIG	1	
6-3	21981923	PRESSURE SWITCH MDR4	1	175PSIG
6-3	21981915	PRESSURE SWITCH MDR2	1	125PSIG
6-4	15830912	MOTOR ELECTRIC 5.5HP/380-415V/3ph/50Hz	1	
6-4	21974761	MOTOR ELECTRIC 7.5HP/380-415V/3ph/50Hz	1	
6-5	21966106	PULLEY MOTOR SPA254-1-28	1	2475C5/12,2475K5/12
6-5	21966015	PULLEY MOTOR	1	2475C7/12
6-6	21982814	BELT GUARD COMPLETE	1	
6-7	21962774	V-BELT SPA1832	1	2475K5/12
6-7	21962741	V-BELT SPA1882	1	2475C5/12
6-7	21965694	V-BELT SPA1765	1	2475C7/12
6-8	21993423	ELBOW TUBE 5/8"	1	
6-9	32170953	FILTER INLET	1	
6-10	70237672	BARE 2475	1	
6-11	32174286	VLAVE RELIEF NPT1/4X325PSIG	1	
6-12	21980008	VALVE CHECK 5/8"	1	
6-13	95245320	BUSHING NPT3/4-NPT1"	1	
6-14	15830045	VALVE BALL ,NPT3/4"	1	
6-15	31385693	VALVE RELIEF,RECEIVER NPT1/4X200PSIG	1	
6-16	15830052	VALVE BALL DRAIN NPT1/2	1	
6-17	21995402	&140 RUBBER WHEEL	4	
6-18	21965280	5.5HP/380-415V/3ph/50Hz DOL STARTER	1	
6-18	21965306	7.5HP/380-415V/3ph/50Hz DOL STARTER	1	
** SSA--SINGAPORE SERVED AREA				
ASA-- AUSTRICAL SERVED AREA				
CSA--CHINA SERVED AREA				

FIGURE 7 MODEL 2475 COMPRESSOR DRIVE AIR RECEIVER AND ACCESSORIES



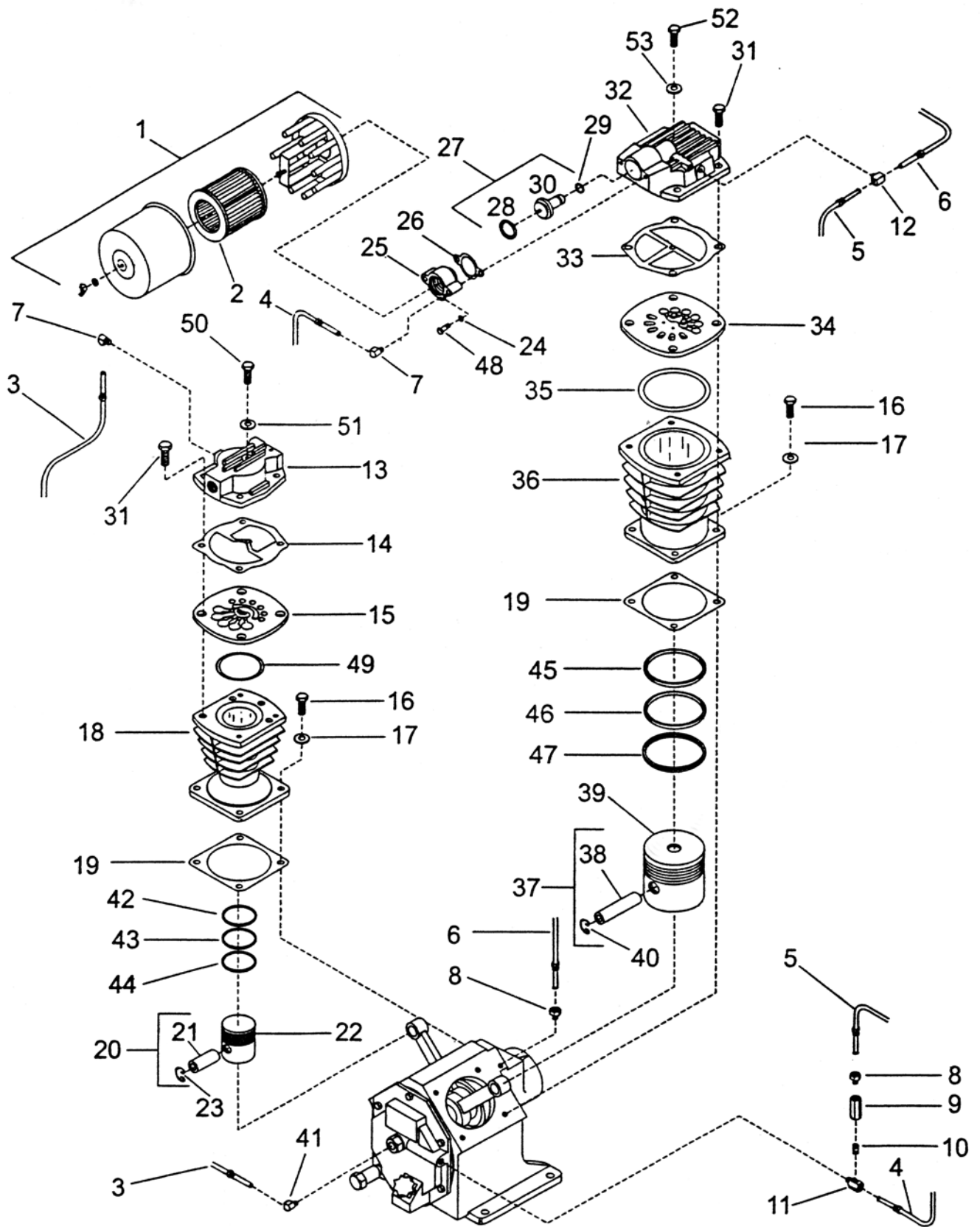
No	CCN	DESCRIPTION	QTY	REMARKS
7-1	21972450	RECEIVER VERTICAL-227L	1	SSA**
7-1	21978036	RECEIVER VERTICAL-227L	1	ASA**
7-1	21978101	RECEIVER VERTICAL-227L	1	CSA**
7-1	21972488	RECEIVER VERTICAL-303L	1	SSA**
7-1	21978119	RECEIVER VERTICAL-303L	1	ASA**
7-1	21978127	RECEIVER VERTICAL-303L	1	CSA**
7-2	15830912	MOTOR ELECTRIC 5.5HP/380-415V/3ph/50Hz	1	2475L5/12
7-2	21974761	MOTOR ELECTRIC 7.5HP/380-415V/3ph/50Hz	1	2475N7/12
7-3	21982814	BELT GUARD COMPLETE	1	
7-4	21966106	PULLEY MOTOR SPA254-1-28	1	2475L5/12
7-4	15834419	PULLEY MOTOR	1	2475N7/12
7-5	21962741	V-BELT SPA1882	1	2475L5/12
7-5	15830995	V-BELT SPA1752	1	2475N7/12
7-6	21993423	ELBOW TUBE 5/8"	1	
7-7	70237672	BARE 2475	1	
7-8	21981923	PRESSURE SWITCH MDR4	1	175PSIG
7-8	21981915	PRESSURE SWITCH MDR2	1	125PSIG
7-9	21982335	GAUGE PRESSURE NPT1/4X300PSIG	1	
7-10	31385693	VALVE RELIEF,RECEIVER NPT1/4X200PSIG	1	
7-11	15830045	VALVE BALL NPT3/4"	1	
7-12	15830052	VALVE BALL DRAIN NPT1/2"	1	
7-13	21965280	5.5HP/380-415V/3ph/50Hz DOL STARTER	1	
7-13	21965306	7.5HP/380-415V/3ph/50Hz DOL STARTER	1	
** SSA—SINGAPORE SERVED AREA				
ASA—AUSTRICAL SERVED AREA				
CSA—CHINA SERVED AREA				

FIGURE 1 MODEL 2545 COMPRESSOR FRAME ASSEMBLY



NO	CCN	DESCRIPTION	QTY	REC.SPACES		
				1	2	3
1-1	95344651	PLUG PIPE HEX HEAD 1/2"	1			
1-2	32179061	COUPLING PIPE 1/2"	1			
1-3	95273330	NIPPLE PIPE	1			
1-4	32247843	PLUG OIL FILL	1			
1-5	32247850	O-RING OIL FILL PLUG	1	1	1	2
1-6	95105250	CAPSCREW HEX 5/16-18x1"	8			
1-7	95674651	WASHER COPPER	2			
1-8	32293938	ASSEMBLY FRAME END COVER	1			
1-9	37127057	. BUSHING PILOT VALVE	1			
1-10	NSS	. COVER FRAME END	1			
1-11	37113701	VALVE PILOT	1			
1-12	30346597	WASHER COPPER 7/8"	1		1	1
1-13	32028698	ASSEMBLY THRUST PIN	1			
1-14	95210225	. O-RING THRUST PIN	1	1	1	2
1-15	32294035	GASKET FRAME END COVER	1	1	1	2
1-16	90799289	LOCKWIRE 12GAx5"	1			
1-17	30278667	CAPSCREW LOCK 3/8-16x7/8"	2			
1-18	30289110	ASSEMBLY CRANKPIN CAP	1			
1-19	32006587	. LOCKWIRE 12GAx4"	1			
1-20	30215008	. PIN CENTRIFUGAL UNLOADER WEIGHT	2			
1-21	30221725	. WEIGHT CENTRIFUGAL UNLOADER	2			
1-22	30216113	. PLUNGER CENTRIFUGAL UNLOADER	1			
1-23	30416978	. SPRING CENTRIFUGAL UNLOADER	1			1
1-24	30210447	. BODY CRANKPIN CAP	1			
1-25	32198160	ROD CONNECTING	2		2	2
1-26	32496440	BELTWHEEL	1			
1-27	95079984	CAPSCREW HEX 5/16-18x1-1/4"	2			
1-28	32203192	FRAME COMPRESSOR	1			
1-29	32498008	ASSEMBLY SHAFT END COVER	1			
1-30	32497810	. SEAL OIL	1		1	2
1-31	NSS	. COVER SHAFT END	1			
1-32	32294027	GASKET SHAFT END COVER	1	1	1	2
1-33	32294431	ASSEMBLY CRANKSHAFT	1			
1-34	NSS	. ASSEMBLY DISC&SHAFT	1			
1-35	95200770	. BEARING BALL	2			
1-36	32203218	. SPACER INNER BEARING	1			
1-37	32203226	. SPACER OUTER BEARING	1			
1-38	95305546	. BEARING BALL WITH SNAP RING	1			
1-39	37127941	. RING BEARING RETAINER	1			
1-40	30210165	. BUSHING CRANKPIN	1			
1-41	95433173	. KEY WOODRUFF	1			
1-42	95098315	. NUT BELTWHEEL 7/18-14	1			
1-43	95043162	LOCKWASHER SPRING 7/8"	1			
DETAIL A						
1-44	95053070	CAPSCREW HEX 1/4-20x1/2	2			
1-45	95043196	LOCKWASHER SPRING 1/4"	2			
1-46	32270654	BAFFLE LOW OIL LEVEL SWITCH	1			
1-47	32276313	SWITCH LOW OIL LEVEL	1			
1-48	97330245	OIL SIGHTGLASS(IF LOLS IS NOT USED	1			

FIGURE 2 2545 BARE ASSEMBLY



NO	CCN	DESCRIPTION	QTY	REC.SPACES		
				1	2	3
2-1	32230542	FILTER AIR INLET COMPLETE	1			
2-2	32012957	. ELEMENT FILTER-10 MICRON	1	1	1	1
2-3	32293953	ASSY TUBE PILOT VALVE/H.P. HEAD	1			
2-4	32201444	ASSY TUBE FRAME END COVER TEE/INLET	1			
2-5	32293961	ASSY TUBE FEC CHECK VALVE/L.P. HEAD	1			
2-6	32293946	ASSY TUBE BREATHER	1			
2-7	95031860	ELBOW TUBE 5/16x1/8"	2			
2-8	95082483	CONNECTOR TUBE 5/16x1/8"	2			
2-9	32001141	VALVE CHECK	1			
2-10	95796017	NIPPLE CLOSE 1/8x3/4"	1			
2-11	32203242	CONNECTOR MALE 5/16x1/4"	1			
2-12	95007522	TEE MALE BRANCH 5/16x1/8"	1			
2-13	32294084	HEAD HIGH PRESSURE	1			
2-14	32294043	GASKET HEAD	1	1	1	2
2-15	32293904	ASSY VALVE PLATE-H.P.	1			
2-16	95053567	CAPSCREW HEX 1/2-13x1-1/4"	8			
2-17	95674701	GASKET COPPER WASHER 1/2"	8			
2-18	32295248	CYLINDER 2-3/4"	1			
2-19	32294019	GASKET FLANGE	2	2	2	4
2-20	32496614	PISTON/PIN COMPLETE-H.P.	1		1	1
2-21	32182818	. PIN PISTON	1			
2-22	NSS	. PISTON 2-3/4"	1			
2-23	30287791	. RING LOCK	2			
2-24	95043188	LOCKWASHER SPRING 5/16	2			
2-25	32230633	COVER UNLOADER	1			
2-26	32182826	GASKET UNLOADER COVER	1	1		
2-27	32256265	ASSEMBLY PISTON UNLOADER	1	1	1	2
2-28	32254740	. SEAL UNLOADER PISTON	1	1	1	2
2-29	32188385	. O-RING UNOADER PISTON	1	1	1	2
2-30	NSS	. PISTON UNLOADER	1			
2-31	95104188	CAPSCREW HEX 1/2-13x1-3/4"	8			
2-32	32499899	HEAD LOW PRESSURE	1			
2-33	32294050	GASKET HEAD	1	1	1	2
2-34	32293912	ASSY VALVE PLATE-L.P.	1			
2-35	32294076	O-RING VALVE PLATE	1	1	1	2
2-36	32295271	CYLINDER 5"-1ST STAGE	1			
2-37	32496580	PISTON/PIN COMPLETE-L.P.	1	1	1	2
2-38	30297022	. PIN PISTON	1			
2-39	NSS	. PITSTON 5"	1			
2-40	30287791	. RING LOCK	2		1	1
2-41	95110441	ELBOW TUBE 5/16x1/4"	1			
2-42	32294167	SET PISTON RINGS-H.P.	1			
2-43	32294175	RING SCRAPER(2.75")	1			
2-44	32295792	RING OIL CONTROL(2.75")	1			
2-45	32294209	SET PISTON RINGS-L.P.	1			
2-46	32294217	RING SCRAPER(5")	1			
2-47	32295784	RING OIL CONTROL(5")	1			
2-48	95079927	CAPSCREW HEX HEAD 5/16-18x1-3/4"	2			
2-49	32294068	O-RING VALVE PLATE	1	1	1	2
2-50	95318978	CAPSCREW HEX HEAD 1/4-28x2-1/4"	1			
2-51	95674677	WASHER COPPER 3/8"	1			
2-52	32294373	CAPSCREW HEX HEAD 3/8-24x3-1/2"	1			
2-53	32255903	WASHER COPPER 1/4"	1			

FIGURE 3 LOW PRESSURE VALVE PLATE ASSEMBLY

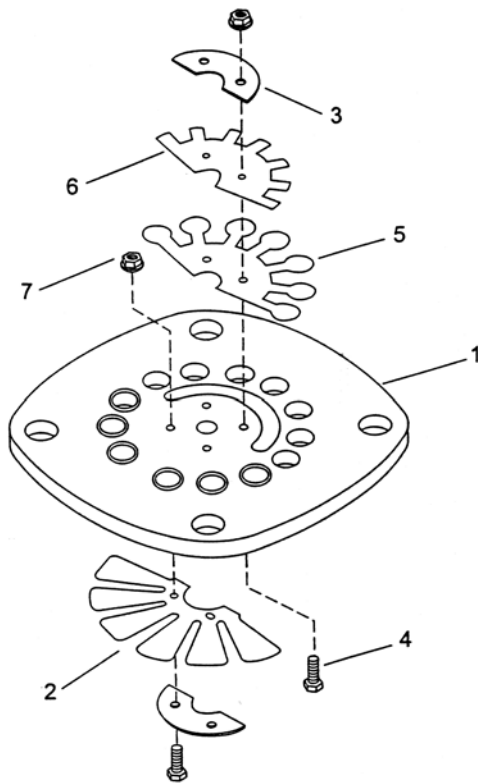
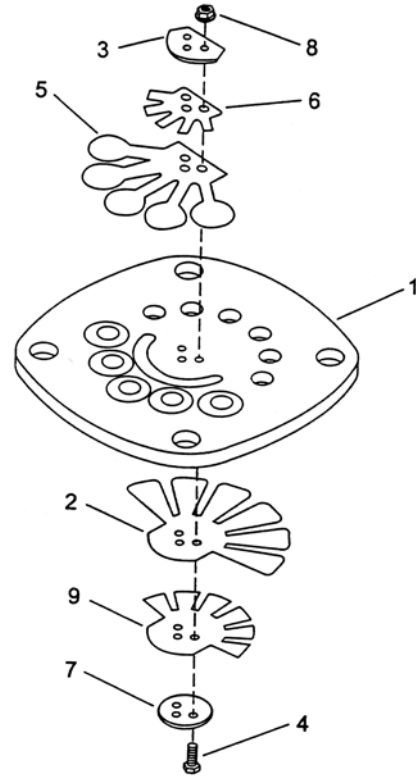


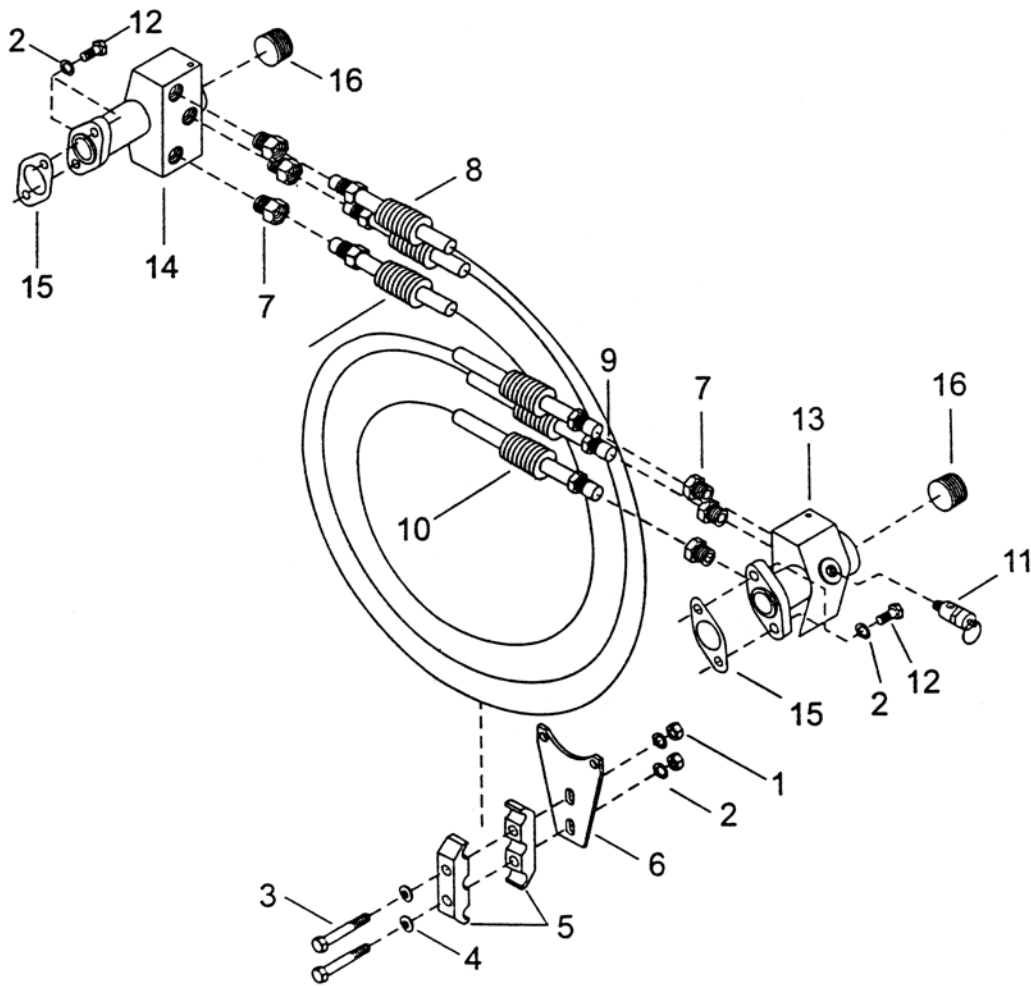
FIGURE 4 HIGH PRESSURE VALVE PLATE ASSEMBLY



NO	CCN	DESCRIPTION	QTY	REC.SPACES		
				1	2	3
REF	32293912	ASSEMBLY VALVE PLATE 5"-L.P.	1			
3-1	32294274	PLATE VALVE L.P.	1			
3-2	32294324	VALVE INTAKE FINGER L.P.	1			
3-3	32294340	RETAINER INTAKE&DISCHARGE VALVE L.P.	2			
3-4	32247512	SCREW HEX HEAD M4x12	4			
3-5	32294332	VALVE FINGER DISCHARGE L.P.	1			
3-6	32294365	DAMPER DISCHARGE VALVE L.P.	1			
3-7	32248171	NUT HEX M4	4			

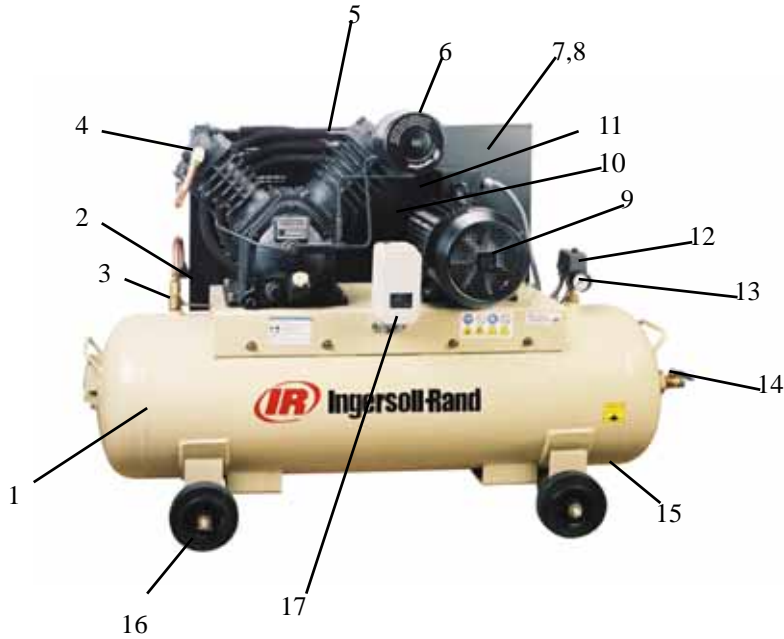
NO	CCN	DESCRIPTION	QTY	REC.SPACES		
				1	2	3
REF	32293904	ASSEMBLY VALVE PLATE 2.75"-H.P.	1			
4-1	32294266	PLATE VALVE-H.P.	1			
4-2	32294282	VALVE INTAKE FINGER-H.P.	1			
4-3	32294316	RETAINER DISCHARG VALVE H.P.	1			
4-4	97511042	SCREW HEX HEAD M3x16	3			
4-5	32294290	VALVE DISCHARGE H.P.	1			
4-6	32294357	DAMPER DISCHARGE VALVE H.P.	1			
4-7	32294308	RETAINER INTAKE VALVE H.P.	1			
4-8	97511059	NUT HEX WITH LOCKWASHER M3	3			
4-9	32295826	DAMPER VALVE	1			

FIGURE 5 INTERCOOLER ASSEMBLY



NO	CCN	DESCRIPTION	QTY	REC.SPACES		
				1	2	3
REF	32188666	ASSEMBLY INTERCOOLER	1			
5-1	95077764	NUT HEX 3/8-16	2			
5-2	95081857	LOCKWASHER SPRING 3/8"	6			
5-3	95079646	CAPSCREW HEX 3/8-16x2-1/2"	2			
5-4	95069597	WASHER FLAT 3/8"	2			
5-5	32294159	CLAMP INTERCOOLER	2			
5-6	32294142	BRACKET INTERCOOLER CLAMP	1			
5-7	95083226	CONNECTOR MALE 5/8x1/2"	6			
5-8	32211708	ASSY TUBE-3# INTERCOOLER	1		1	2
5-9	32211690	ASSY TUBE-2# INTERCOOLER	1		1	2
5-10	32211682	ASSY TUBE-1# INTERCOOLER	1		1	2
5-11	72062185	VALVE RELIEF-80PSIG	1			2
5-12	95468443	CAPSCREW HEX 3/8-16x1"	4			
5-13	32185787	MANIFOLD HEAD-L.P.	1			
5-14	32185795	MANIFOLD HEAD-H.P.	1			
5-15	32188377	GASKET MANIFOLD	2	2	2	4
5-16	95101457	PLUG PIPE SQUARE COUNTERSUNK 1"	2			

FIGURE 6 MODEL2545 COMPRESSOR DRIVE AIR RECEIVER AND ACCESSORIES



NO	CCN	DESCRIPTION	QTY	REMARKS
6-1	21972393	RECEIVER HORIZONTAL-230L	1	SSA**
6-1	21978002	RECEIVER HORIZONTAL-230L	1	ASA**
6-1	21978077	RECEIVER HORIZONTAL-230L	1	CSA**
6-2	32174286	VALVE SAFETY NPT1/4X325PSIG	1	
6-3	21980016	VALVE CHECK 3/4"	1	
6-4	21993407	ELBOW TUBE 3/4"	1	
6-5	70237680	BARE 2545	1	
6-6	32230542	FILTER INLET	1	
6-7	21982822	BELT GUARD STEEL WIRE	1	
6-8	15831803	ASSY ACAC	1	OPTIONAL
6-9	15830011	MOTOR ELECTRIC 7.5HP/380-415V/3ph/50Hz	1	
6-9	15830813	MOTOR ELECTRIC10HP/380-415V/3ph/50Hz	1	
6-10	21965736	V-BELT SPB2507	1	2545C7/12
6-10	21965868	V-BELT SPB2159	1	2545C10/12
6-11	15834252	PULLEY MOTOR SPB236-1-38	1	2545C7/12
6-11	15834260	PULLEY MOTOR SPB315-1-38	1	2545C10/12
6-12	21981923	PRESSURE SWITCH MDR4	1	175PSIG
6-12	21981915	PRESSURE SWITCH MDR2	1	125PSIG
6-13	21982335	PRESSURE GAUGE NPT1/4X300PSIG	1	
6-14	15830045	VALVE BALL- NPT3/4"	1	
6-15	21980727	VALVE BALL NPT3/8"	1	
6-16	21995436	&180 RUBBER WHEEL	4	
6-17	21965322	10HP/380-415V/3ph/50hZ DOL STARTER	1	2545C10/12
6-17	21965306	7.5HP/380-415V/3ph/50hZ DOL STARTER	1	2545C7/12
** SSA--SINGAPORE SERVED AREA				
ASA-- AUSTRICAL SERVED AREA				
CSA-- CHINA SERVED AREA				