

Code
<b>2205 1084 03</b>
Edition 07/2010

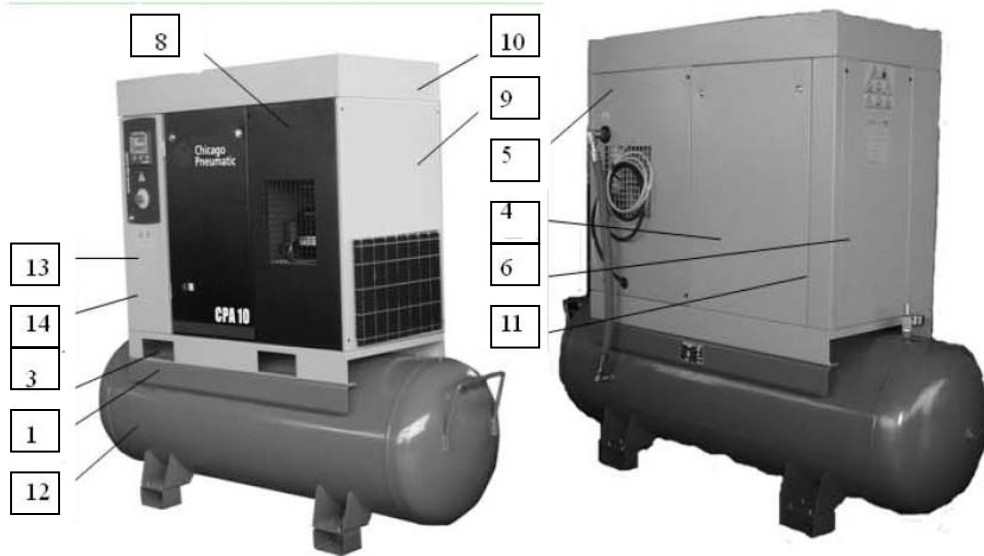
CPA7.5-11-15-20 Screw Air Compressors

# Parts List Book

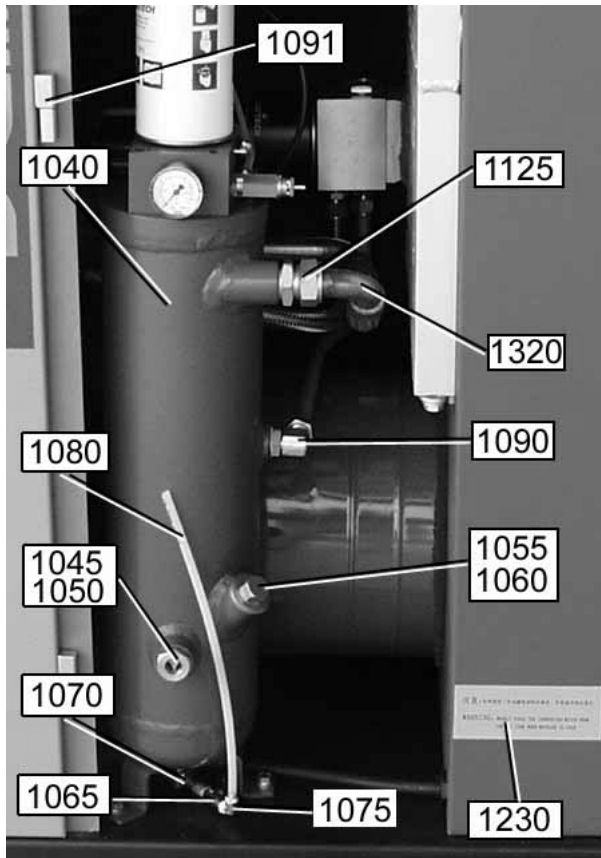


REF.	PART NUM.	QTY.	NAME
1095	2205 1020 80	1	BASE
1100	2205 1028 00	2	COVER
1105	2205 1126 00	2	COVER
1160	2205 1019 80	1	COOLER PANEL
1165	2205 1049 80	1	PANEL
1170	2205 1050 80	1	PANEL
1175	2205 1051 80	1	PANEL
1180	2205 1052 80	1	PANEL
1185	2205 1017 00	1	GRILLE
1190	2205 1075 00	1	FILTER ELEMENT

REF.	PART NUM.	QTY.	NAME
1195	2205 1053 80	1	PANEL
1200	2205 1026 80	1	GIRDER
1210	2205 4207 00	8	BUTTON
1225	2205 1030 00	1	LABEL
1230	2205 1031 01	1	LABEL
1235	2205 1032 01	1	LABEL
1240	2205 1033 01	1	LABEL
1250	2205 1088 00	1	LABEL
1440	2205 1024 01	1	DOOR

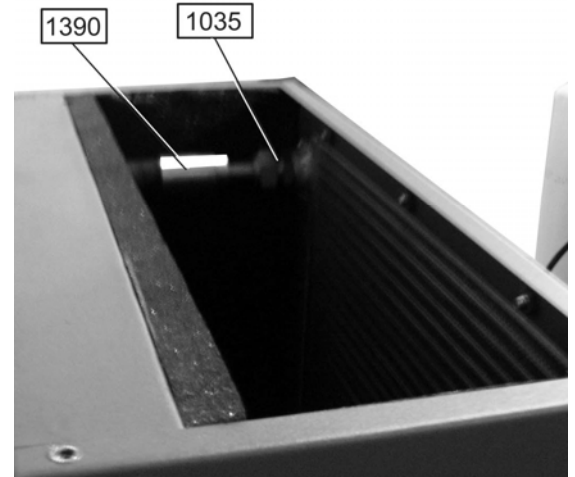
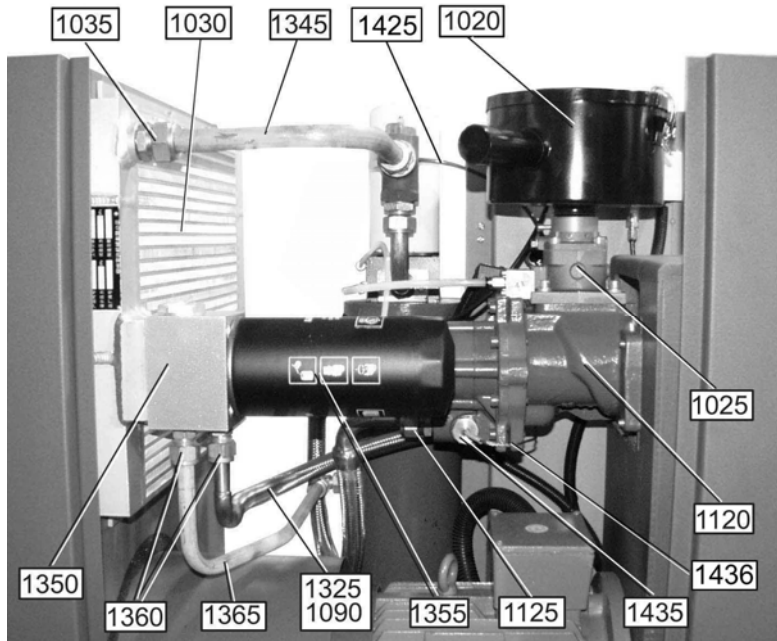


REF.	PART NUM.	QTY.	NAME	REF.	PART NUM.	QTY.	NAME
1	2205 1020 82	1	BASE	9	2205 1052 10	1	PANEL
2	2205 1028 00	2	COVER	10	2205 1053 11	1	PANEL
3	2205 1126 00	2	COVER	11	2205 1026 80	1	PANEL
4	2205 1049 80	1	PANEL	12		1	TANK
5	2205 1049 30	1	PANEL	13	2205 1018 90	1	PANEL
6	2205 1050 10	1	PANEL	14	2205 1024 01	1	PANEL
7	2205 1051 10	1	PANEL				
8	2205 1051 40	1	PANEL				



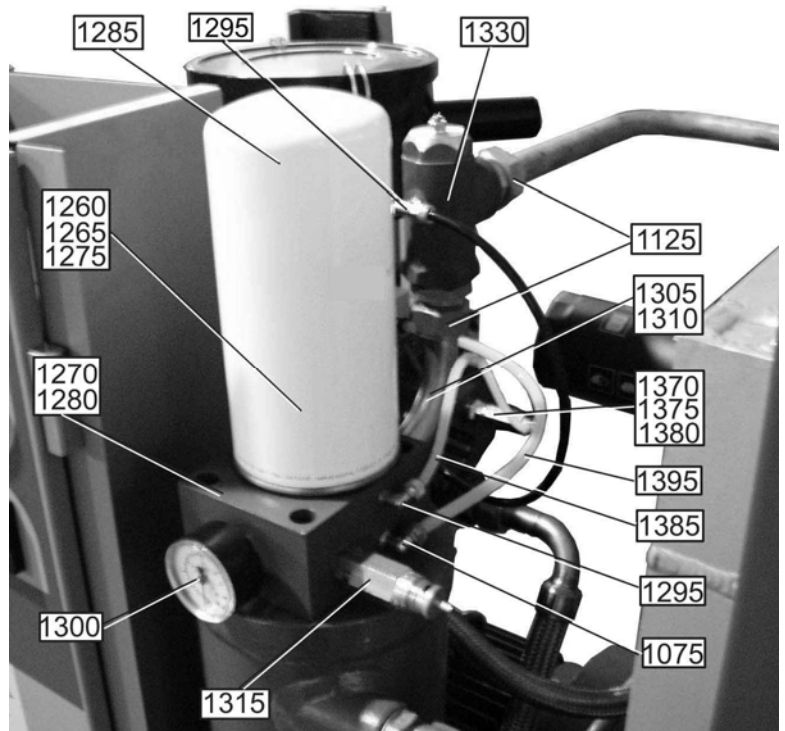
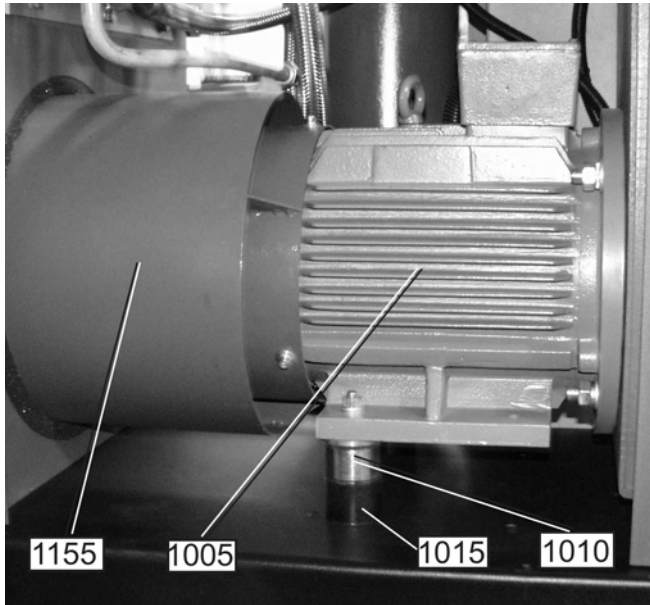
REF.	PART NUM.	QTY.	NAME
1040	2205 1015 81	1	OIL TANK
1045	2200 7599 10	1	OIL LEVEL PLUG
1050	2205 1090 00	1	SEALING WASHER
1055	2205 1047 00	1	CLOGGING
1060	2205 4314 18	1	SEALING RING
1065	0852 0010 45	1	DRAIN COCK
1070	2205 1083 00	1	NIPPLE

REF.	PART NUM.	QTY.	NAME
1075	2205 4335 02	1	PIPE FITTING
1080	2205 1093 00	1	TUBE
1090	2205 4376 00	1	EXTREME RIGHT-ANGLE PIPING SLEEVE
1091	2205 4213 02	2	HINGE
1125	2205 4395 00	1	EXTREME STRAIGHT THROUGH SLEEVE
1230	2205 1031 00	1	LABEL
1320	2205 1023 01	1	TUBE



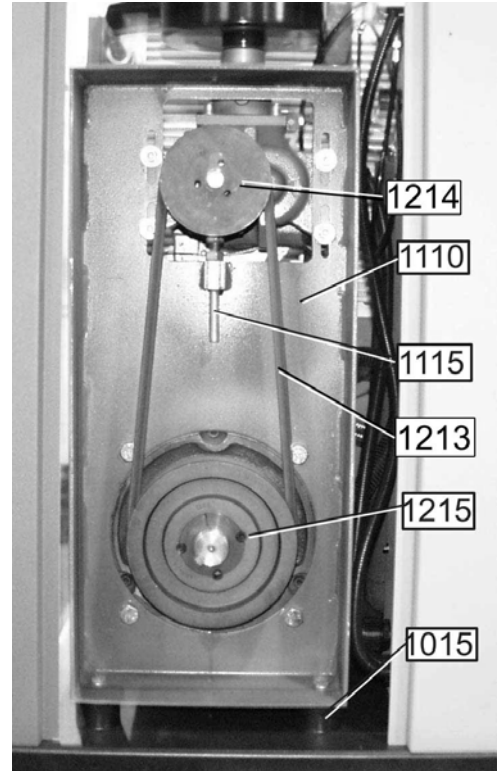
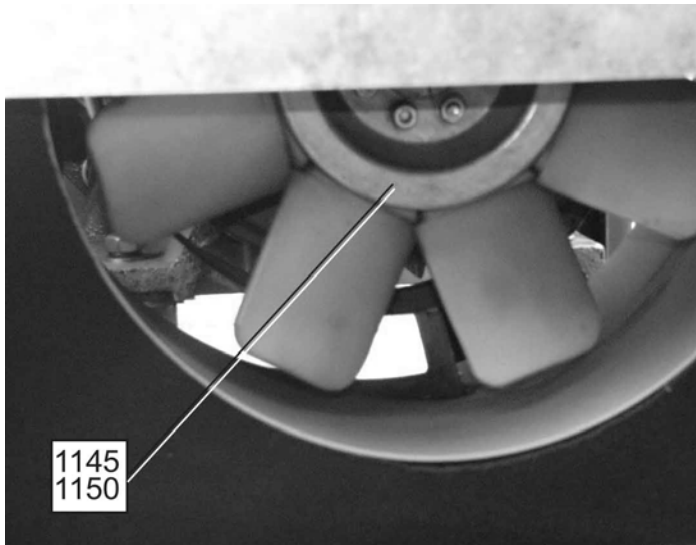
REF.	PART NUM.	QTY.	NAME
1020	2205 1068 80	1	AIR INLET FILTER
1025	2202 2512 55	1	UNLOADING VALVE
1030			COOLER
	2205 1011 00	1	CPA5.5,CPA7.5
	2205 1012 00	1	CPA11
	2205 1013 00	1	CPA15
1035	2205 4386 00	3	EXTREME STRAIGHT THROUGH SLEEVE
1090	2205 4376 00	1	EXTREME RIGHT-ANGLE PIPING SLEEVE
1120	1616 6575 80	1	C55 ELEMENT
1125	2205 4395 00	1	EXTREME STRAIGHT THROUGH SLEEVE
1325	2205 1057 00	1	TUBE

REF.	PART NUM.	QTY.	NAME
1345			TUBE
	2205 1061 01	1	CPA5.5,CPA7.5
	2205 1061 02	1	CPA11
	2205 1061 03	1	CPA15
1350	2205 4626 00	1	THERMOSTATIC VALVE
1355	2200 6405 09	1	OIL FILTER
1360	2205 4387 00	2	EXTREME STRAIGHT THROUGH SLEEVE
1365	2205 1060 00	1	TUBE
1390	2205 1062 00	1	TUBE
1425	2205 1065 00	1	TUBE
1435	2205 1048 00	1	PIPE COUPLING
1436	2200 7028 04	1	TEMPERATURE SENSOR



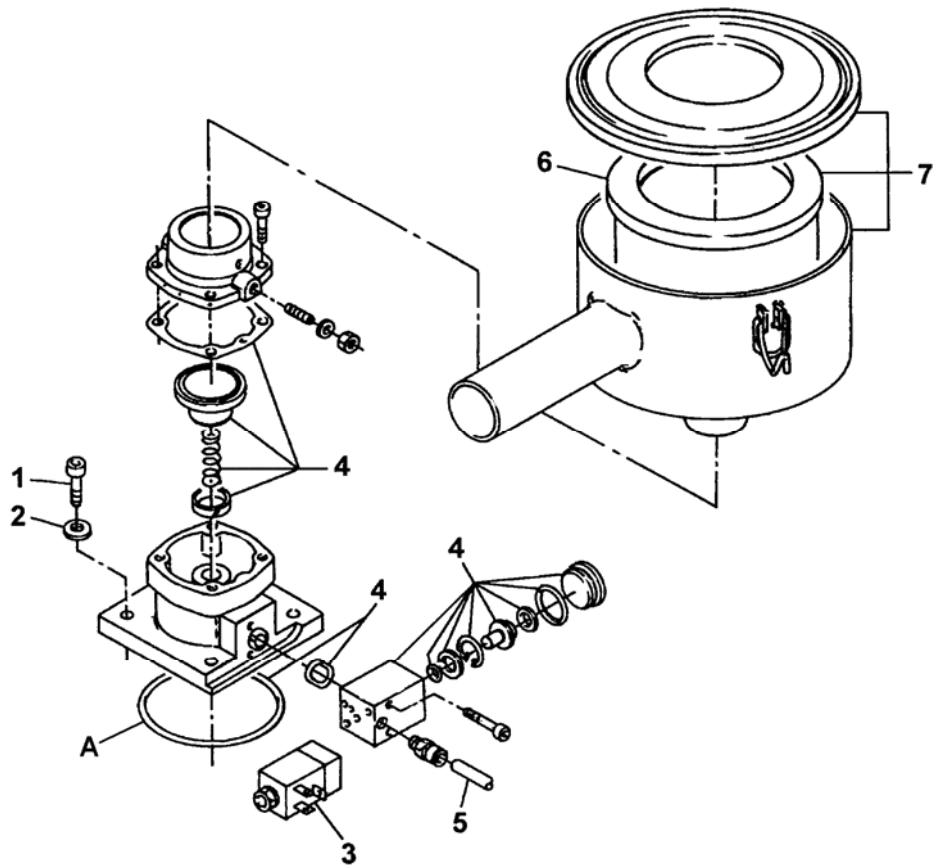
REF.	PART NUM.	QTY.	NAME
1005			ELECTRIC MOTOR
	2205 1069 01	1	CPA5.5
	2205 1070 01	1	CPA7.5
	2205 1071 01	1	CPA11
	2205 1072 01	1	CPA15
1010	2205 1029 00	2	SHIM
1015	2205 1014 00	2	PULSATION DAMPER
1075	2205 4335 02	1	PIPE FITTING
1125	2205 4389 00	2	EXTREME STRAIGHT THROUGH SLEEVE
1155			MOTOR DUCT
	2205 1021 00	1	CPA5.5,CPA7.5
	2205 1021 10	1	CPA11,CPA15
1260	2205 1054 01	1	OIL SEPARATOR JOINT
1265	2205 1055 00	1	OIL SEPARATOR PIPE
1270	2205 1058 00	1	OIL SEPARATOR SEAT
1275	2205 4314 17	1	SEALING RING

REF.	PART NUM.	QTY.	NAME
1280	2205 4314 20	1	SEALING RING
1285	2200 6405 93	1	SEPARATOR CARTRIDGE
1295	2205 4335 03	2	PIPE FITTING
1300	2200 6001 03	1	PRESSURE GAUGE
1305	2205 1046 80	1	TUBE
1310	2205 4314 49	1	SEALING RING
1315			SAFETY VALVE
	2205 4002 02	1	FOR 8BAR MACHINES
	2205 4002 03	1	FOR 10BAR MACHINES
	2205 4002 18	1	FOR 13BAR MACHINES
1330	2205 4691 00	1	MINIMUM PRESSURE VALVE
1370	0823 0050 09	1	NON-RETURN VALVE
1375	2205 1077 00	1	JOINT
1380	2205 4335 01	1	PIPE FITTING
1385	2205 1063 00	1	TUBE
1395	2205 1066 00	1	TUBE



REF.	PART NUM.	QTY.	NAME
1015	2205 1014 00	2	PULSATION DAMPER
1110	2205 1016 80	1	CORE SUPPORT
1213			BELT
	2205 4545 02	2	CPA5.5/8
	2205 4545 03	2	CPA7.5/10
	2205 4545 04	2	CPA7.5/8,CPA11/13,CPA15/13
	2205 4545 05	2	CPA11/10
	2205 4545 06	2	CPA11/8
	2205 4545 07	2	CPA15/8
	2205 4545 63	2	CPA7.5/13, CPA15/10
	2205 4545 65	2	CPA5.5/10
1214			DRIVEN PULLEY
	2205 1001 00	1	CPA15
	2205 1002 00	1	CPA5.5,CPA7.5,CPA11

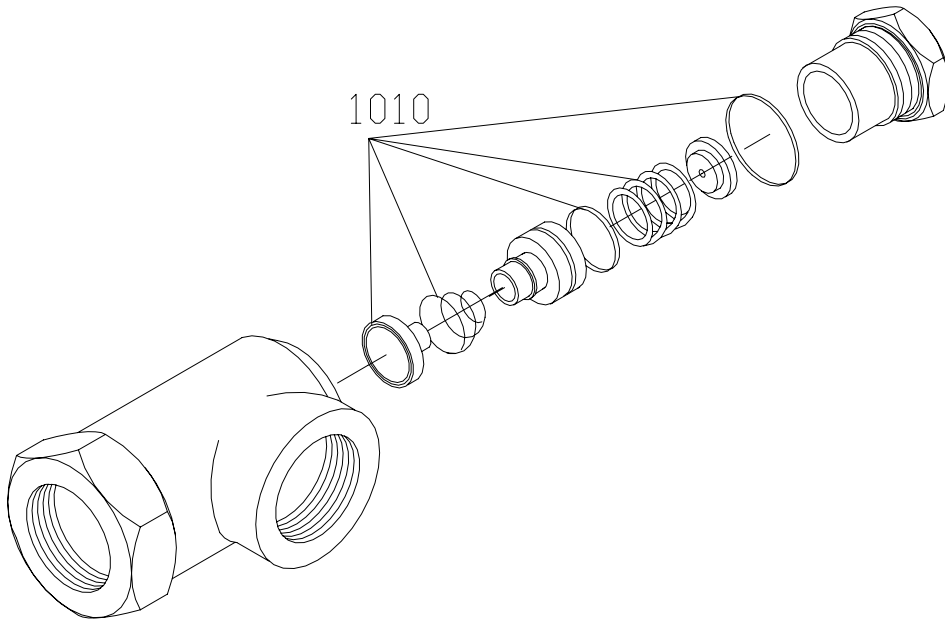
REF.	PART NUM.	QTY.	NAME
1115	2205 4572 01	1	SET SCREW
1145	2205 1022 00	1	FAN CARDO
1150			FAN
	2205 1076 80	1	CPA5.5,CPA7.5
	2205 1076 81	1	CPA11,CPA15
1215			DRIVE PULLEY
	2205 1091 00	1	CPA5.5/8
	2205 1092 00	1	CPA5.5/10
	2205 1008 00	1	CPA7.5/8
	2205 1044 00	1	CPA7.5/10
	2205 1010 00	1	CPA7.5/13
	2205 1005 00	1	CPA11/10,CPA15/10
	2205 1007 00	1	CPA11/13,CPA15/13
	2205 1004 00	1	CPA11/8,CPA15/8



**SUCTION UNIT ASS.**

REF.	PART NUM.	QTY.	NAME
1	0211 1326 03	4	SCREW
2	0333 2174 19	4	WASHER
3	2200 5997 53	1	SOLENOID VALVE
4	2200 9009 43	1	SUCTION UNIT KIT

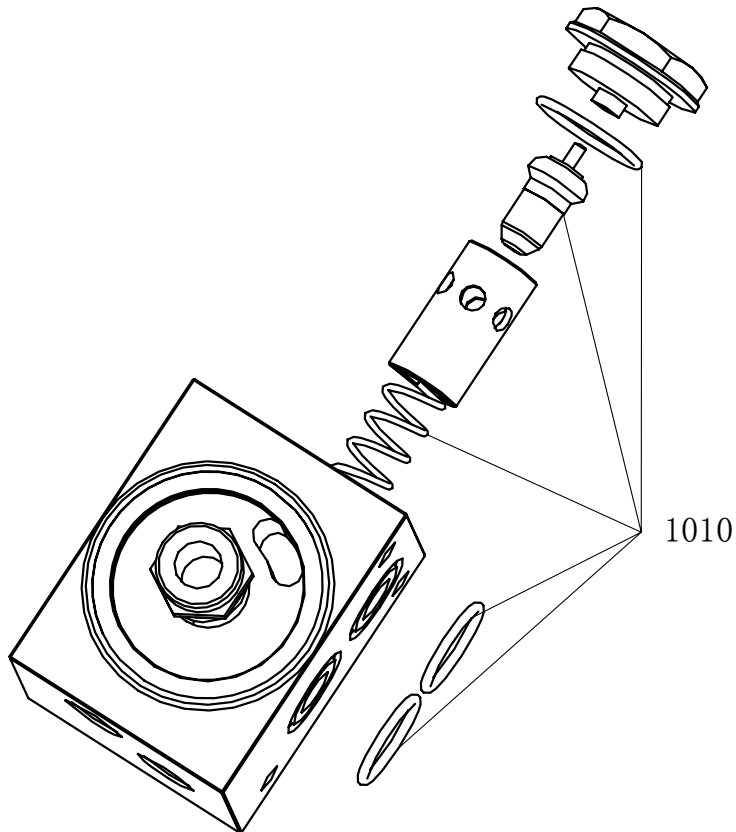
REF.	PART NUM.	QTY.	NAME
5	2205 1057 00	1	PIPE
6	2205 1068 02	1	AIR FILTER ELEMENT
7	2205 1068 80	1	AIR FILTER ASS.



**2205 4691 00 MINIMUM PRESSURE VALVE**

REF.	PART NUM.	QTY.	NAME
1010	2205 4905 95	1	SPARE KIT

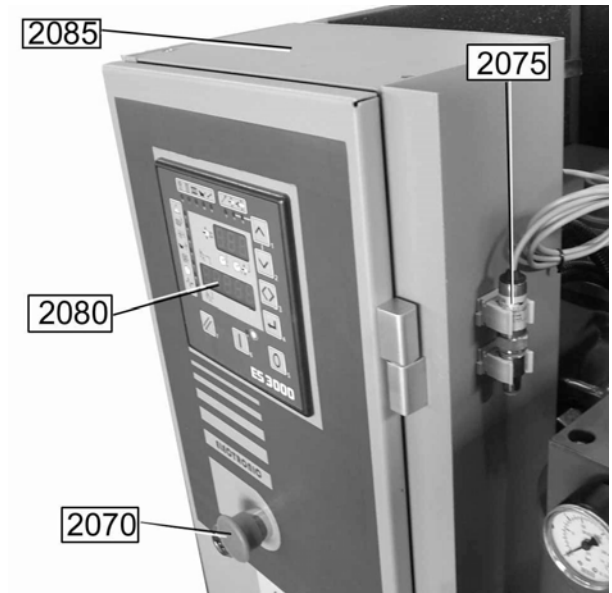
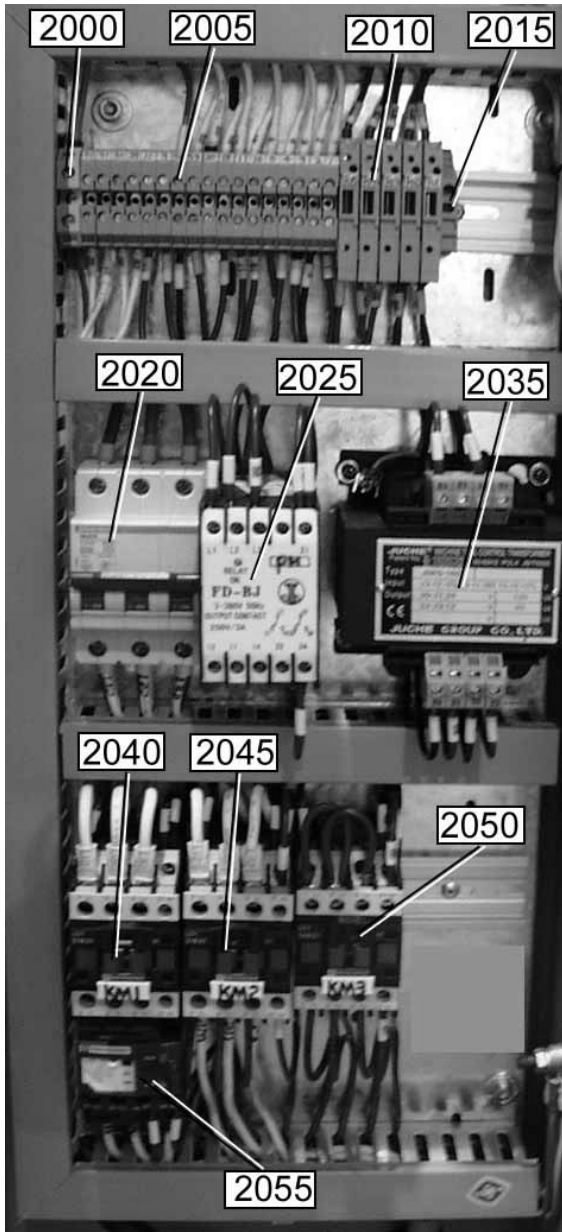
REF.	PART NUM.	QTY.	NAME



**2205 4626 00 THERMOSTATIC VALVE**

REF.	PART NUM.	QTY.	NAME
1010	2205 4905 90	1	SPARE KIT

REF.	PART NUM.	QTY.	NAME



REF.	PART NUM.	QTY.	NAME	REF.	PART NUM.	QTY.	NAME
2000	2205 4847 00	1	DOUBLE COLOR TERMINAL	2045			ALTERNATING CURRENT CONTACTOR
2005	2205 4194 00	17	TERMINALS		2205 4191 16	1	CPA11
2010	2205 4129 00	4	FUSE SUPPORT		2205 4191 21	1	CPA15
2015	2205 4453 00	1	ORIENTATION TERMINAL	2050			ALTERNATING CURRENT CONTACTOR
2020			AIR SWITCH		2205 4191 06	1	CPA11
	2205 4157 13	1	CPA5.5,CPA7.5		2205 4191 10	1	CPA15
	2205 4157 15	1	CPA11	2055			THERMAL RELAY
	2205 4157 16	1	CPA15		2205 4158 09	1	CPA5.5,CPA7.5,CPA11
2025	2205 4837 00	1	PHASE-ROTATION RELAY		2205 4158 10	1	CPA15
2035	2205 4138 01	1	TRANSFORMER	2070	2205 4189 00	1	PUSH-BUTTON
2040			ALTERNATING CURRENT CONTACTOR	2075	2200 7028 03	1	PRESSURE SENSOR
	2205 4191 16	1	CPA5.5,CPA7.5,CPA11	2080	2200 5600 23	1	LOGIC CONTROLLER
	2205 4191 21	1	CPA15	2085	2205 1018 90	1	ELECTRIC BOX

## SERVICE KITS

KIT 2000 HOURS						
CODE	MACHINE	PAGE	REF.	PART NUM.	QTY.	NAME
2200 9022 08	CPA5.5,CPA7.5,CPA11,CPA15	7	6	2205 1068 02	1	AIR FILTER ELEMENT
		4	1355	2200 6405 09	1	OIL FILTER

KIT 4000 HOURS						
CODE	MACHINE	PAGE	REF.	PART NUM.	QTY.	NAME
2200 9022 10	CPA5.5,CPA7.5,CPA11,CPA15	7	6	2205 1068 02	1	AIR FILTER ELEMENT
		4	1355	2200 6405 09	1	OIL FILTER
		5	1285	2200 6405 93	1	SEPARATOR CARTRIDGE
		2	1190	2205 1075 00	1	FILTERING PANNEL

KIT 8000 HOURS						
CODE	MACHINE	PAGE	REF.	PART NUM.	QTY.	NAME
2205 4908 70	CPA5.5,CPA7.5,CPA11,CPA15	7	6	2205 1068 02	1	AIR FILTER ELEMENT
		4	1355	2200 6405 09	1	OIL FILTER
		5	1285	2200 6405 93	1	SEPARATOR CARTRIDGE
		2	1190	2205 1075 00	1	FILTERING PANNEL
		8	1010	2205 4905 90	1	THERMOSTATIC VALVE KIT
		8	1010	2205 4905 95	1	MINI. PRESSURE VALVE KIT
		7	4	2200 9009 43	1	SUCTION UNIT KIT