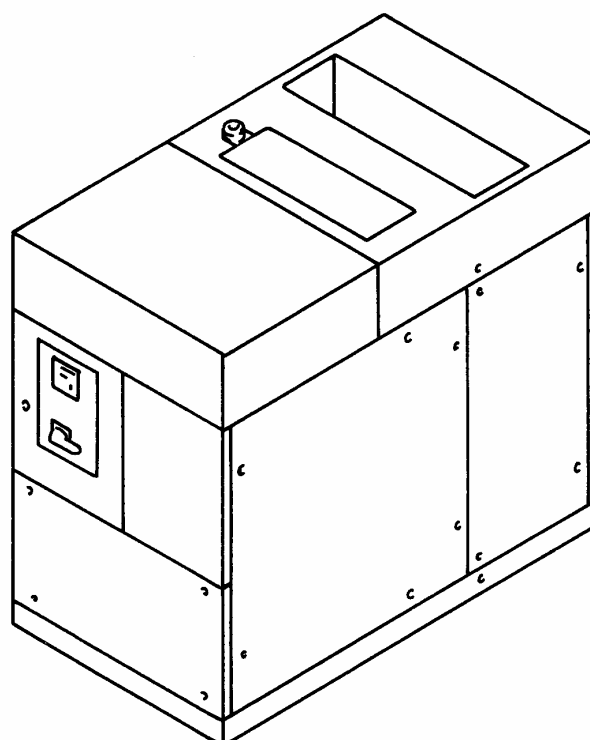
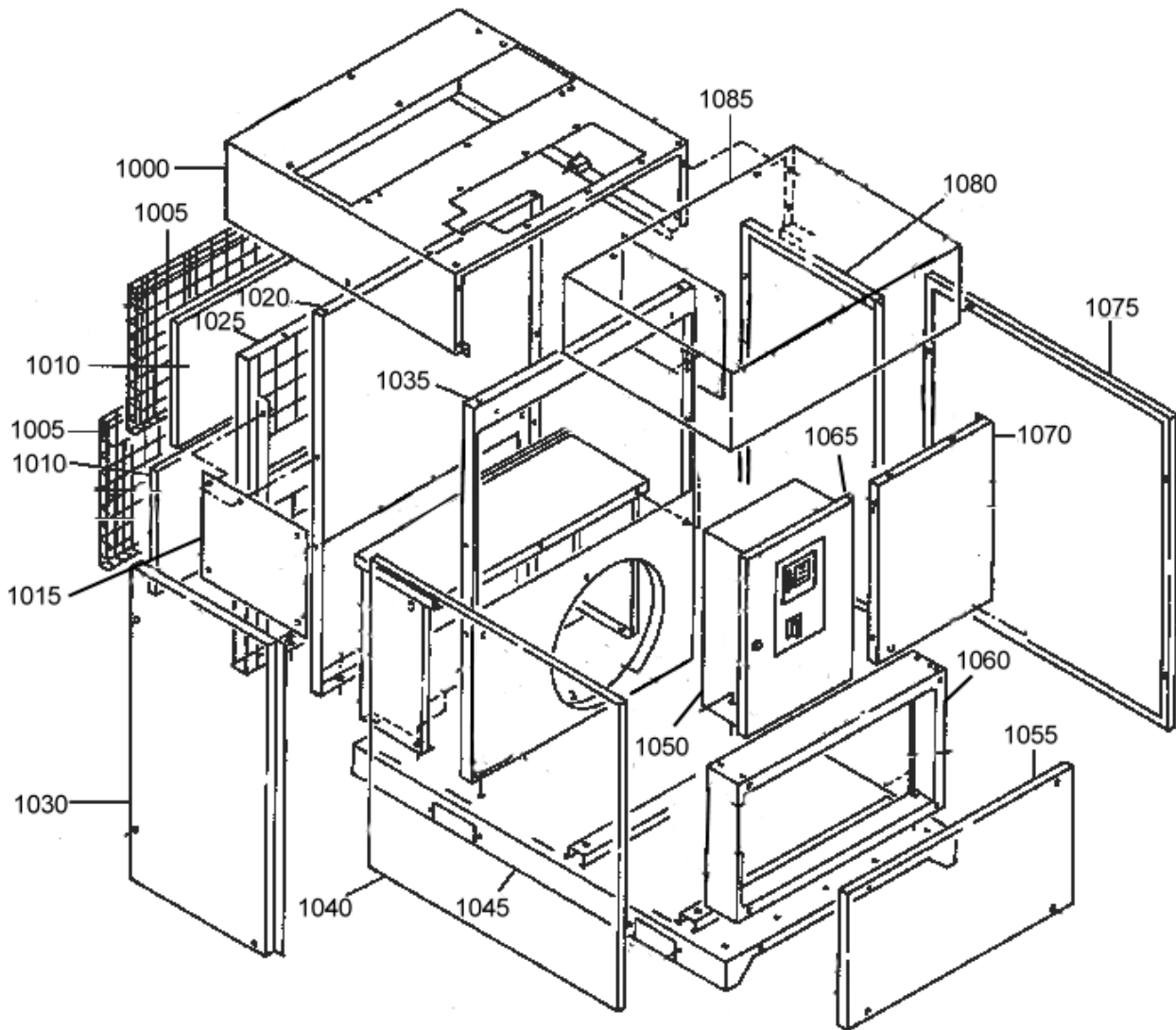


Code
2205 2679 02
Edition 2008/01

HP 100-100IVR
kW 75-75IVR

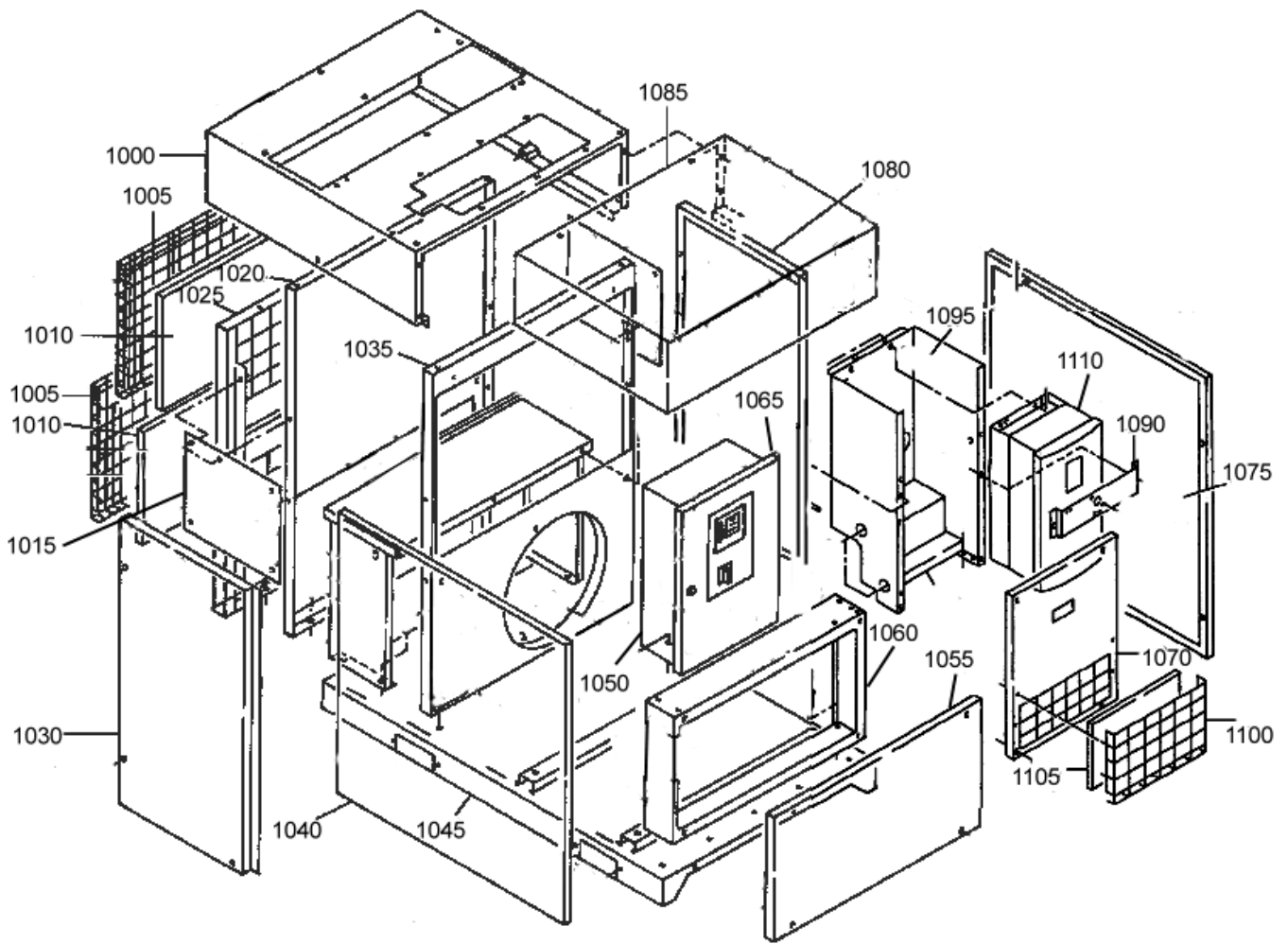
Parts List Book





REF.	PART NUM.	QTY.	NAME
1000	2205 2676 39	1	COVER
1005	2205 1330 80	2	GRATING
1010	2205 1372 00	2	FILTER ELEMENT
1015	2205 2676 38	1	STIRRUP
1020	2205 2676 37	1	PANEL
1025	2205 2676 36	1	PANEL
1030	2205 2676 42	1	PANEL
1035	2205 2676 05	1	PANEL
1040	2205 2676 46	1	PANEL

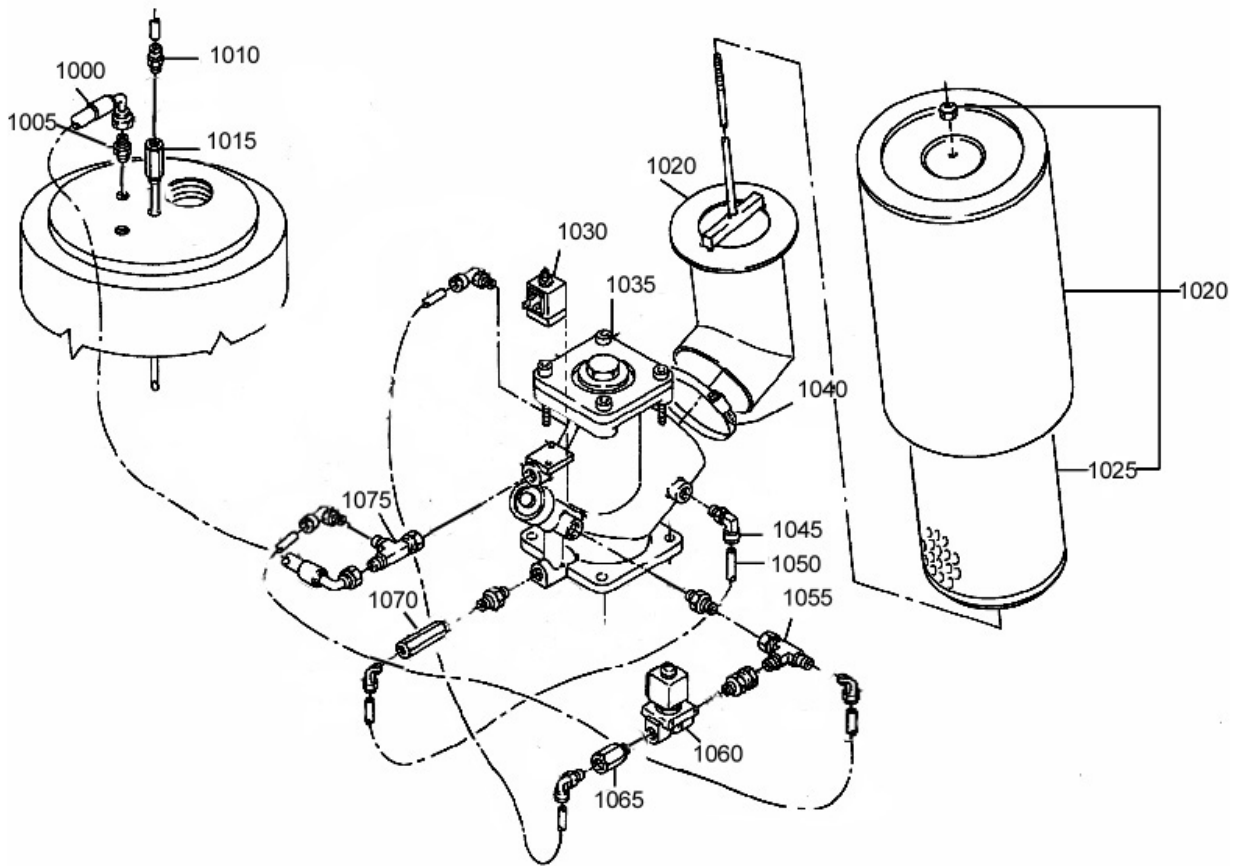
REF.	PART NUM.	QTY.	NAME
1045	2205 2676 34	1	FRAME
1050	2205 1314 00	1	BOX
1055	2205 1369 00	1	PANEL
1060	2205 2676 45	1	SUPPORT
1065	2205 1315 00	1	DOOR
1070	2205 1368 00	1	PANEL
1075	2205 2676 72	1	PANEL
1080	2205 2676 43	1	PANEL
1085	2205 2676 41	1	COVER



IVR

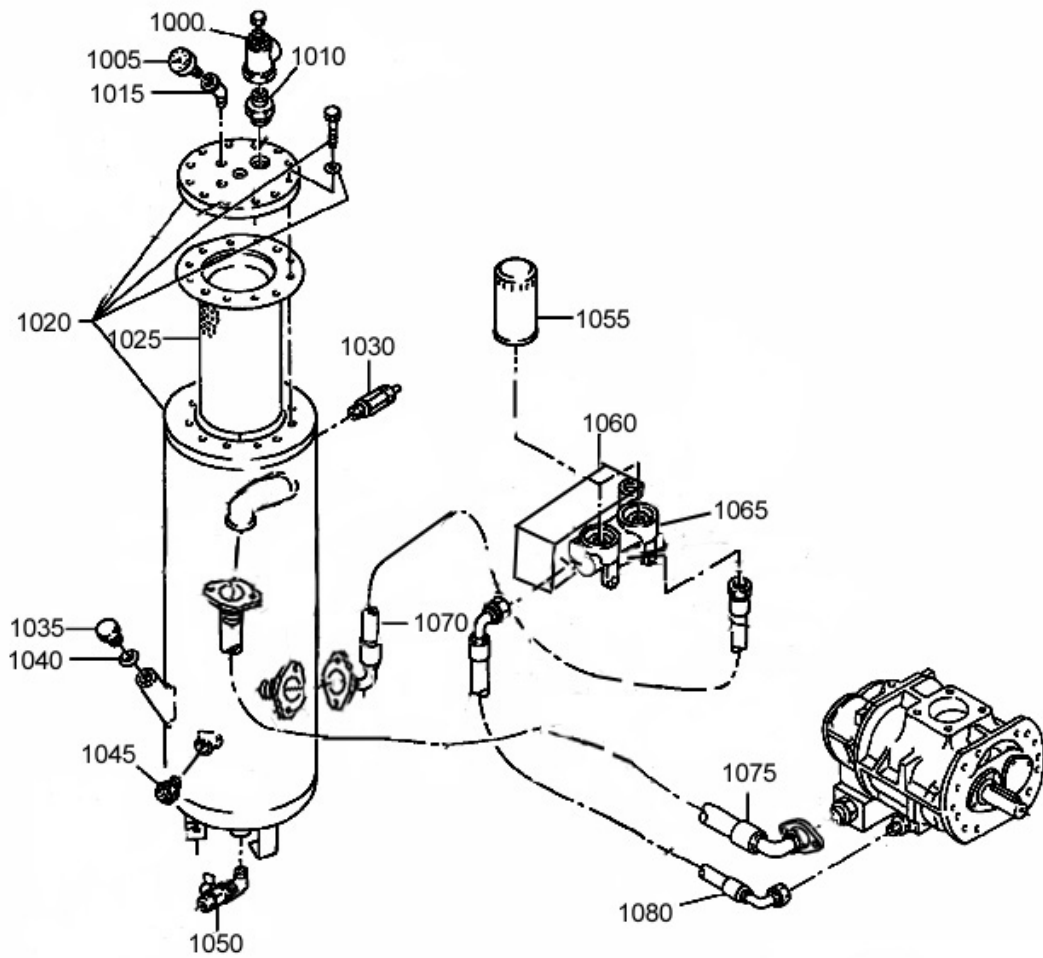
REF.	PART NUM.	QTY.	NAME
1000	2205 2676 39	1	COVER
1005	2205 1330 80	2	GRATING
1010	2205 1372 00	2	FILTER ELEMENT
1015	2205 2676 38	1	STIRRUP
1020	2205 2676 37	1	PANEL
1025	2205 2676 36	1	PANEL
1030	2205 2676 42	1	PANEL
1035	2205 2676 05	1	PANEL
1040	2205 2676 46	1	PANEL
1045	2205 2676 34	1	FRAME
1050	2205 1314 00	1	BOX
1055	2205 1369 00	1	PANEL

REF.	PART NUM.	QTY.	NAME
1060	2205 2676 45	1	SUPPORT
1065	2205 1315 00	1	DOOR
1070	2205 1315 21	1	PANEL
1075	2205 2676 72	1	PANEL
1080	2205 2676 43	1	PANEL
1085	2205 2678 16	1	COVER
1090	2205 1315 22	1	PANEL
1095	2205 2678 13	1	BOX
1100	2205 1017 80	1	GRATING
1105	2205 1075 00	1	FILTER ELEMENT
1110			INVERTER
	2205 4867 13	1	HP100/ KW75



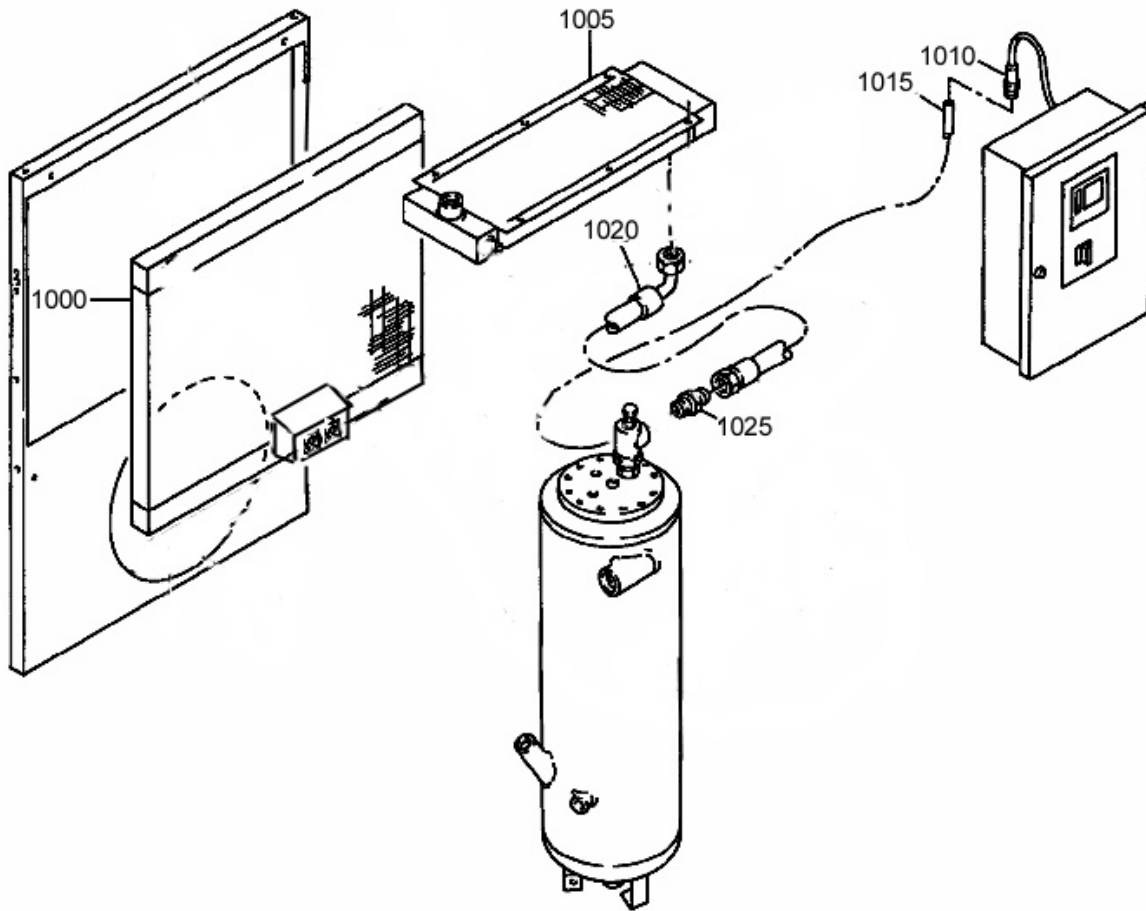
REF.	PART NUM.	QTY.	NAME
1000	2205 2676 69	1	FLEXIBLE TUBE
1005	2205 4388 00	1	NIPPLE
1010	2205 4336 01	1	UNION
1015	2205 1307 00	1	NIPPLE
1020	2202 7811 00	1	AIR FILTER ASS.
1025	2200 6411 28	1	AIR FILTER
1030	2202 7298 01	1	SOLENOID VALVE
1035	1613 8144 84	1	SUCTION UNIT ASS.

REF.	PART NUM.	QTY.	NAME
1040	2205 4311 04	1	HOSE CLAMP
1045	2205 4335 02	1	PIPE FITTING
1050	2205 1359 00	1	PIPE
1055	9740 2028 33	1	TEE
1060	2205 2679 03	1	SOLENOID VALVE
1065	2205 1307 00	1	NIPPLE
1070	0823 0050 09	1	NO-RETURN VALVE
1075	1503 2566 11	1	TEE



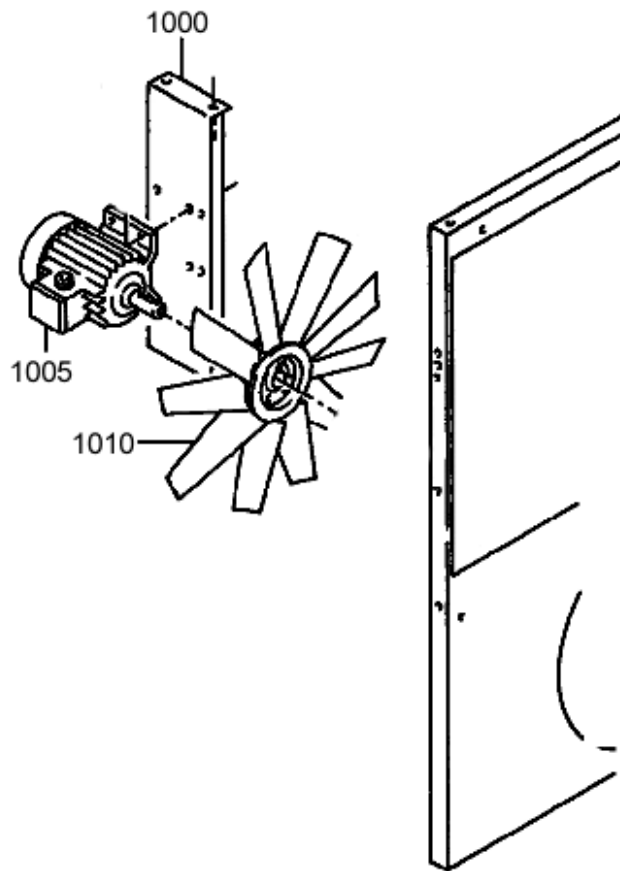
REF.	PART NUM.	QTY.	NAME
1000	2205 4693 00	1	MIN. PRESS. VALVE
1005	6214 3242 00	1	PRESSURE GAUGE
1010	2205 1349 00	1	HOSE NIPPLE
1015	2205 1756 30	1	ELBOW
1020	2205 2678 49	1	OIL TANK
1025	2205 4065 19	1	SEPARATOR CARTRIDGE
1030	0830 1008 41	1	SAFETY VALVE
1035	2205 1306 00	1	PLUG
1040	2205 4314 07	1	O-RING

REF.	PART NUM.	QTY.	NAME
1045	2200 7599 10	1	OIL GAUGE
1050	2200 7601 10	1	DRAIN COCK
1055	6211 4722 50	2	OIL FILTER
1060	2205 4629 00	1	THERMOSTATIC VALVE
1065	2205 2677 51	1	VALVE HOUSING
1070	2205 2676 68	1	FLEXIBLE TUBE
1075	2205 1376 43	1	FLEXIBLE TUBE
1080	2205 1376 46	1	FLEXIBLE TUBE



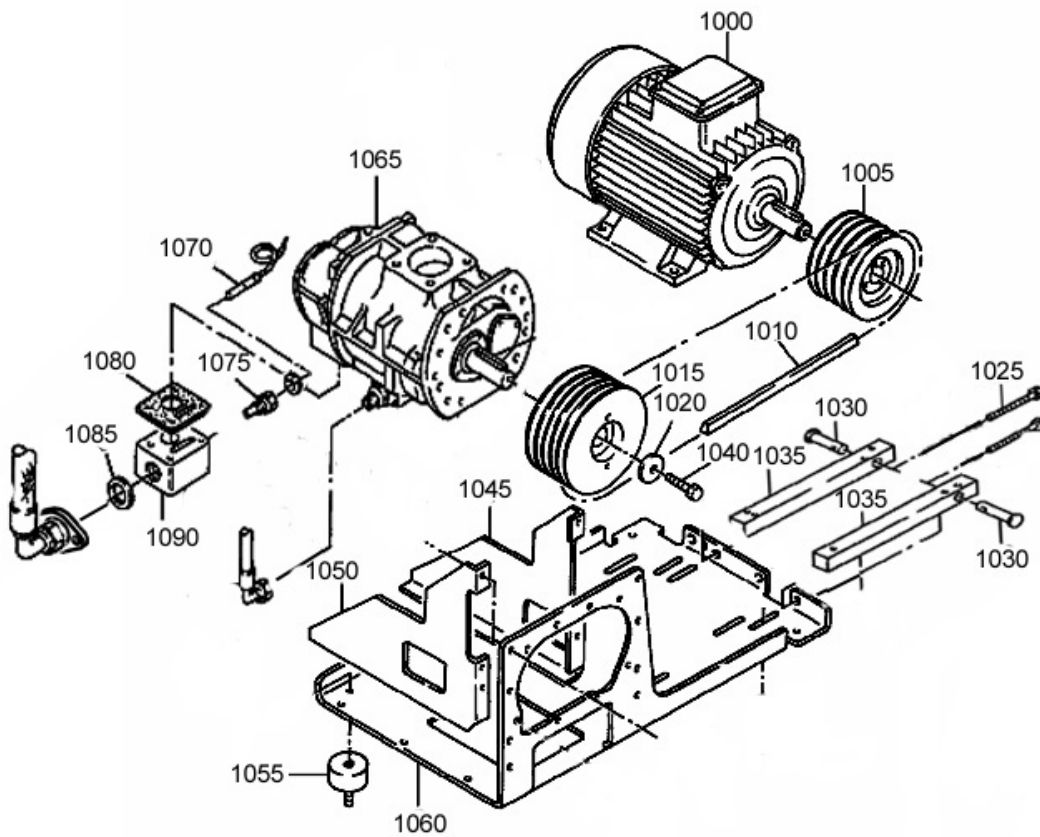
REF.	PART NUM.	QTY.	NAME
1000	2205 2676 13	1	OIL COOLER
1005	2205 2676 14	1	AIR COOLER
1010	2200 7028 03	1	PRESSURE SENSOR

REF.	PART NUM.	QTY.	NAME
1015	2205 1361 00	1	PIPE
1020	2205 2676 47	1	FLEXIBLE TUBE
1025	2205 1343 00	1	FLANGE



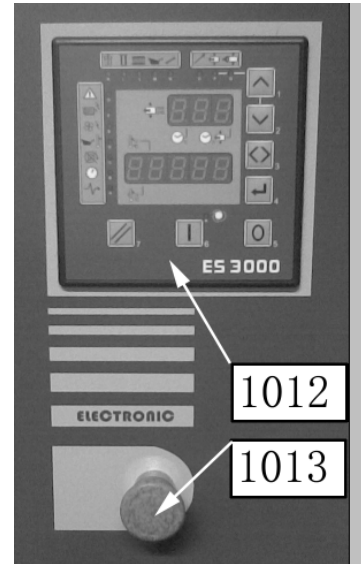
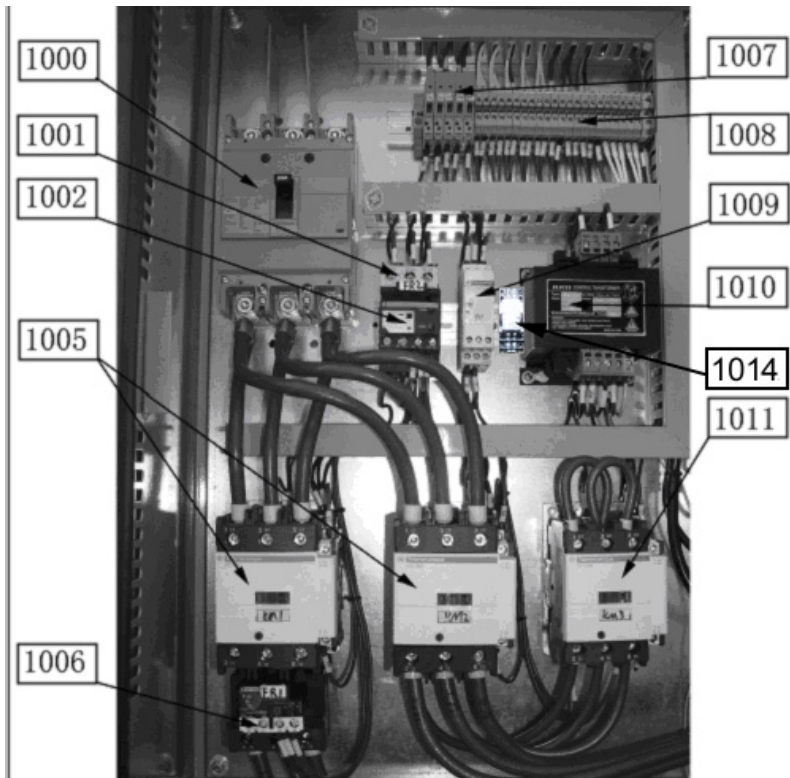
REF.	PART NUM.	QTY.	NAME
1000	2205 2676 53	1	STIRRUP
1005			FAN MOTOR
	2205 1355 09	1	440V/60Hz

REF.	PART NUM.	QTY.	NAME
	2205 1355 11	1	380V/60Hz
	2205 1355 08	1	220V/60Hz
1010	2205 2678 77	1	FAN



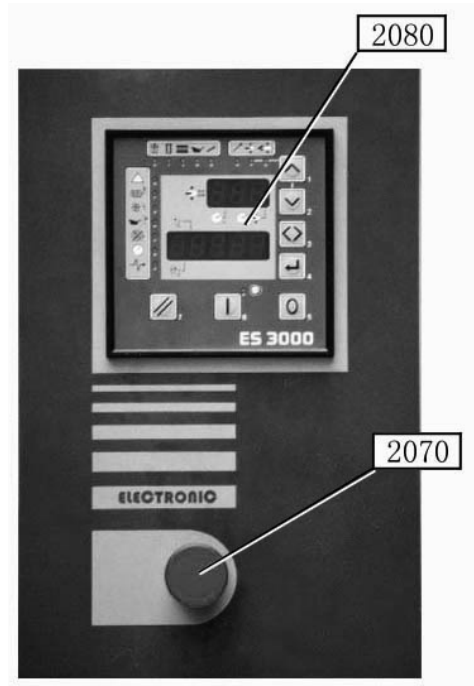
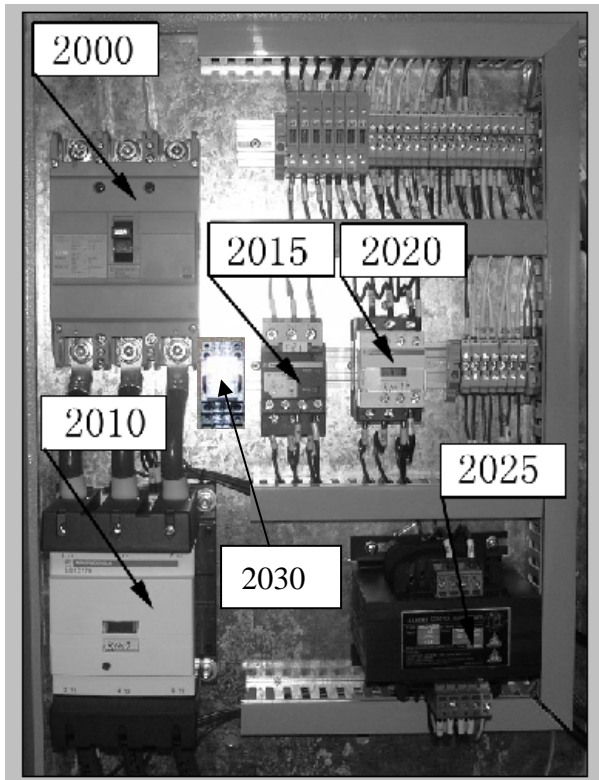
REF.	PART NUM.	QTY.	NAME
1000			MOTOR
	2205 2678 18	1	HP100/kW75 440V/60Hz
	2205 2678 56	1	HP100/kW75 380V/60Hz
	2205 2678 19	1	HP100/kW75 220V/60Hz
	2205 2678 59	1	HP100 IVR/kW75 IVR 440V/60Hz
	2205 2678 57	1	HP100 IVR/kW75 IVR 380V/60Hz
1005			DRIVE PULLEY
	2205 1324 37	1	HP100/kW75-8 60Hz
	2205 1324 39	1	HP100/kW75-10 60Hz
	2205 1324 40	1	HP100/kW75-13 60Hz
1010			BELT
	2205 4545 71	6	HP100/kW75-8 60Hz
	2205 4545 77	6	HP100/kW75-10 60Hz
	2205 4545 77	6	HP100/kW75-13 60Hz

REF.	PART NUM.	QTY.	NAME
1015			PULLEY
	2205 1324 03	1	HP100/kW75-8 60Hz
	2205 1324 41	1	HP100/kW75-10 60Hz
	2205 1324 42	1	HP100/kW75-13 60Hz
1020	1616 7151 00	1	WASHER
1025	2205 2676 32	2	SCREW
1030	2205 2676 10	2	PIN
1035	2205 2676 09	2	ENGINE SUPPORT
1040	0147 1961 36	1	SCREW
1045	2205 2676 33	1	STIRRUP
1050	2205 2676 54	1	STIRRUP
1055	2205 4514 00	1	PULSATION DAMPER
1060	2205 1376 42	1	STIRRUP



REF.	PART NUM.	QTY.	NAME
1000			AIR SWITCH
	2205 4157 22	1	HP100/kW75 220V
	2205 4157 46	1	HP100/kW75 380V/440V
1001	2205 4181 00	1	Overload Relay Adapter
1002	2205 4158 06	1	Thermal Relay
1005			Contactors
	2205 4191 56	2	HP100/kW75 220V
	2205 4191 49	2	HP100/kW75 380V/440V
1006			Thermal Relay
	2205 4158 24	1	HP100/kW75 220V
	2205 4158 17	1	HP100/kW75 380V/440V
1007	2205 4129 00	5	Fuse Support

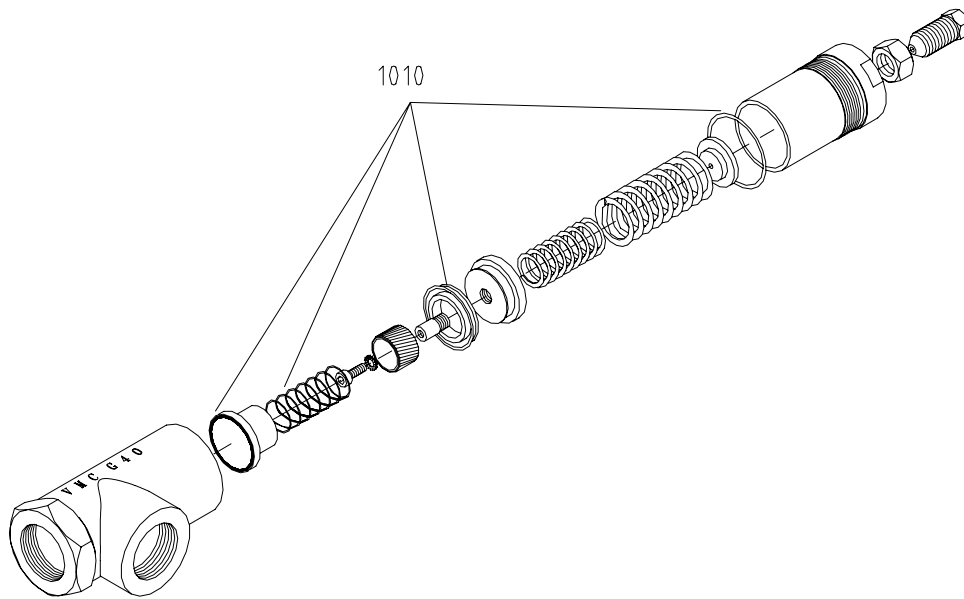
REF.	PART NUM.	QTY.	NAME
1008	2205 4194 00	22	Terminals
1009	2205 4837 05	1	Phase-rotation Relay
1010			Transformer
	2205 4139 10	1	HP75-100/kW55-75 220V
	2205 4139 03	1	HP75-100/kW55-75 380V
	2205 4139 06	1	HP75-100/kW55-75 440V
1011			Contactors
	2205 4191 54	1	HP100/kW75 220V
	2205 4191 44	1	HP100/kW75 380V/440V
1012	2202 5600 23	1	Logic Control
1013	2205 4189 00	1	Push-button
	2205 4148 04	1	Contacts
1014	2205 4163 02	1	AUXILIARY RELAY



REF.	PART NUM.	QTY.	NAME
2000			AIR SWITCH
	2205 4157 46	1	HP100/kW75 380V/440V
2010			CONTACTOR
	2205 4191 56	1	HP100/kW75 380V/440V
2020	2205 4191 01	1	CONTACTOR
2030	2205 4158 05	1	THERMAL RELAY

IVR

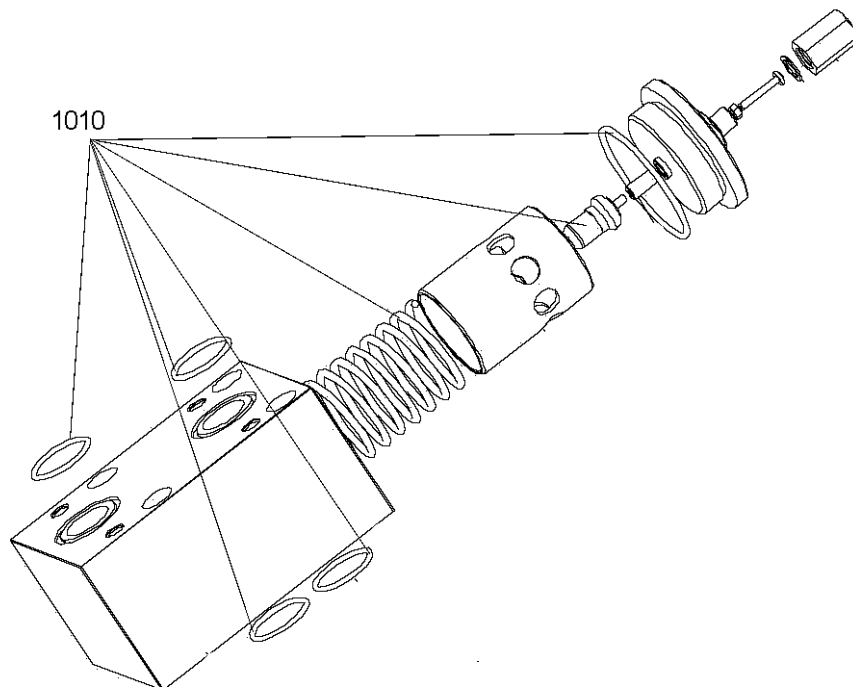
REF.	PART NUM.	QTY.	NAME
2025			TRANSFORMER
	2205 4139 01	1	HP100/kW75 380V
2030	2205 4163 02	1	AUXILIARY RELAY
	2205 4139 12	1	HP100/kW75 440V
2070	2205 4189 00	1	PUSH-BUTTON
	2205 4148 04	1	CONTACTOR
2080	2202 5600 23	1	LOGIC CONTROL



2205 4693 00 MINIMUM PRESSURE VALVE

REF.	PART NUM.	QTY.	NAME
1010	2205 4905 97	1	SPARE KIT

REF.	PART NUM.	QTY.	NAME



2205 4629 00 THERMOSTATIC VALVE

REF.	PART NUM.	QTY.	NAME
1010	2205 4905 92	1	SPARE KIT

REF.	PART NUM.	QTY.	NAME

SERVICE KITS

KIT 2000 HOURS						
CODE	MACHINE	PAGE	REF.	PART NUM.	QTY.	NAME
2205 9022 86	HP100/kW75	3	1165	2200 6411 28	1	AIR FILTER
		5	1230	6211 4722 50	2	OIL FILTER

KIT 4000 HOURS						
CODE	MACHINE	PAGE	REF.	PART NUM.	QTY.	NAME
2205 9022 87	HP100/kW75	3	1165	2200 6411 28	1	AIR FILTER
		5	1230	6211 4722 50	2	OIL FILTER
		5	1270	2205 4065 19	1	SEPARATOR CARTRIDGE
		1	1075	2205 1372 00	2	FILTER ELEMENT

KIT 8000 HOURS						
CODE	MACHINE	PAGE	REF.	PART NUM.	QTY.	NAME
2205 9022 88	HP100/kW75	3	1165	2200 6411 28	1	AIR FILTER
		5	1230	6211 4722 50	2	OIL FILTER
		5	1270	2205 4065 19	1	SEPARATOR CARTRIDGE
		1	1075	2205 1372 00	2	FILTER ELEMENT
		10	1010	2205 4905 92	1	THERMOSTATIC VALVE KIT
		10	1010	2205 4905 97	1	MINI. PRESSURE VALVE KIT
		---	---	2901 0211 00	1	SUCTION UNIT KIT