

**Parts List for Portable Compressor**  
**XRHS396 Md**

Printed matter N°  
2954 0072 03  
11/2004



---

ATLAS COPCO - PORTABLE AIR DIVISION  
[www.atlascopco.com](http://www.atlascopco.com)

---

### **ORDERING SPARE PARTS**

Always quote the part number, the designation and the quantity of the parts required, as well as the type and the serial number of the machine.

### **EXPLANATION OF THE COLUMNS**

#### *REF : REFERENCE CODE*

Establishes the connection between a part in the list and a part in the illustration. "-" means that the part is not shown in the illustration.

#### *PART NUMBER*

If no part number is given, the part cannot be obtained as a spare part. Parts marked with a dot are part of the assembly listed right above them.

#### *DESIGNATION*

Usually this is the name of the part. For standard parts, in addition to the name, a number of characteristics are given.

#### *QTY : QUANTITY*

Indicates the quantity of the part concerned. "AR" stands for "As Required".

### **WARRANTY AND LIABILITY LIMITATION**

Use only authorized parts.

Any damage or malfunction caused by the use of unauthorized parts is not covered by Warranty or Product Liability.

The manufacturer does not accept any liability for any damage arising for modifications, additions or conversions made without the manufacturer's approval in writing.

Copyright 2004, Atlas Copco Airpower n.v., Antwerp, Belgium.

Any unauthorized use or copying of the contents or any part thereof is prohibited.

This applies in particular to trademarks, model denominations, part numbers and drawings.

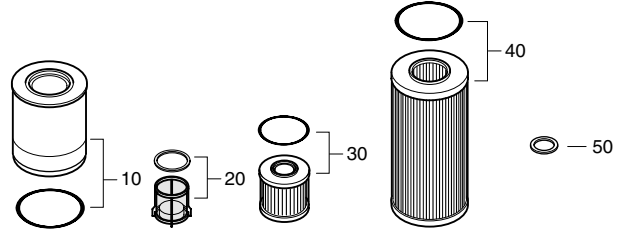
## PARTS INDEX

PART	PAGE	PART	PAGE
<b>A</b>			
AFTERCOOLER - WATERSEPARATOR .....	182	MANIFOLD .....	161
AFTERCOOLER - WATERSEPARATOR - PD FILTER .....	184	MANIFOLD AND SENSORS .....	162, 163, 164
AFTERCOOLER - WATERSEPARATOR - PD FILTER - REHEATER .....	190	MARKINGS .....	41, 116
AFTERCOOLER - WATERSEPARATOR - PD-QD FILTER .....	186	MEMBRANE .....	115, 201
AFTERCOOLER - WATERSEPARATOR - PD-QD FILTER - REHEATER .....	192	MINIMUM PRESSURE VALVE .....	68, 69, 70, 71
AFTERCOOLER HP .....	183, 185, 187, 189, 191, 193	<b>N</b>	
AIR DUCT .....	39, 159	NARROW V-BELT .....	16
AIR FILTER .....	39, 40	NATO EYE .....	119
AIR FILTER ELEMENT .....	40	NO AFTERCOOLER .....	72, 73
AIR FILTER SAFETY CARTRIDGE .....	40	NO COLD START (ASME) .....	110
AIR INLET .....	38	NO COLD START (EC) .....	109
AIR INLET VALVE .....	159	NO MANIFOLD .....	118
AIR OUTLET .....	36	NO PREHEATER .....	65
AXLE (FRONT) .....	135, 137	NO REHEATER (HP) .....	79
AXLE (REAR) .....	133, 135, 137, 139, 140	NO ROAD SIGNALISATION .....	117
<b>B</b>			
BAFFLE ASSEMBLY .....	72, 78, 81, 87	NO SHUT-OFF VALVE .....	67
BALL VALVE .....	33, 118, 161, 162, 163, 164, 165, 183, 185, 187, 189, 191, 193	NO SPARK ARRESTOR .....	66
BATTERY .....	61	NO UNDERCARRIAGE .....	178, 180
BATTERY CABLE .....	61	NOISE REGULATION CE .....	80
BELT GUARD .....	35	NOISE REGULATION NOT CE .....	82
BLEEDER VALVE .....	183, 185, 187, 189, 191, 193	<b>O</b>	
BRAKE ABS .....	131, 139, 146, 148	OIL FILTER .....	68, 70, 71
BRAKE CABLE .....	141, 142	OIL NOZZLE .....	23
BRAKE SHOE .....	140	OIL SEPARATOR ASSEMBLY (ASME) .....	110, 112, 200
<b>C</b>			
CANOPY - REHEATER .....	126, 128	OIL SEPARATOR ASSEMBLY (EC) .....	109, 111
CHAIN .....	50, 68, 69, 70, 71, 122, 127, 129, 135, 137, 160, 183, 185, 187, 189, 191, 193	OIL SEPARATOR ELEMENT .....	112
CIRCUIT BREAKER .....	61, 200	OIL SEPARATOR ELEMENT ASSEMBLY .....	10, 11
CLAMPING .....	59	OIL STOP VALVE .....	23, 25
COLD START .....	200	OIL SYSTEM .....	30
COMPRESSOR DRIVE .....	19	OUTER CANOPY .....	42, 121, 124
COMPRESSOR ELEMENT .....	15	<b>P</b>	
COMPRESSOR OIL .....	5	PANEL ASSEMBLY .....	36, 37, 43, 46, 48, 50, 53, 54, 55, 56, 72, 73, 76, 77, 81, 85, 86, 121, 123,
CONTROL BOX .....	62, 63	PAROIL S .....	126, 127, 128, 129, 183, 185, 187, 189, 191, 193, 194, 195, 196
CONTROL UNIT .....	61, 62	PAROIL SAE 15W40 .....	5
COOLER AND FAN DRIVE ARRANGEMENT .....	35	PD FILTER .....	185, 187, 191, 193
COOLER AND FAN DRIVE ASSEMBLY .....	81, 83, 100, 101	PLATE ASSEMBLY .....	57, 58, 198, 199
COOLER ASSEMBLY .....	100, 101, 102, 104	PREHEATER .....	145
CORNER ASSEMBLY .....	43, 72, 73, 121, 183, 185, 187, 189, 191, 193	PRESSURE GAUGE .....	63, 165
CORNER PANEL ASSEMBLY .....	44, 51, 74, 122, 125, 197	PRESSURE REDUCER .....	165
COUNTRY SET .....	68	PRESSURE REGULATOR .....	165
COUNTRY SET (ASME APPROVAL) .....	70	PRESSURE SCREW .....	33
COUNTRY SET (EC) .....	69, 71	PRESSURE SENSOR .....	61, 162, 163, 164, 183, 185, 187, 189, 191, 193
COUPLING .....	27	PRESSURE VESSEL ASSEMBLY (ASME) .....	112, 114
COUPLING ASSEMBLY .....	147	PRESSURE VESSEL ASSEMBLY EC .....	111, 113
COVER .....	92	PULLEY .....	16
COVER ASSEMBLY .....	90, 91, 92	<b>Q</b>	
CUBICLE .....	61	QD FILTER .....	187, 193
<b>D</b>			
DECAL ASSEMBLY .....	63, 64	<b>R</b>	
DIN EYE .....	119	RADIATOR .....	103, 105
DISPLAY .....	63	REDUCER FOR SCAVENGE PIPE .....	29
DOOR .....	51, 75, 84, 88, 89, 98, 99, 129	REGULATING SYSTEM .....	28
DOOR ASSEMBLY .....	43, 45, 47, 49, 52, 72, 75, 81, 83, 84, 88, 89, 95, 96, 98, 99, 183, 185, 187, 189, 191, 193	REGULATING VALVE .....	109, 110, 115, 200, 201
DRAIN STRIP .....	172	REHEATER .....	189, 191, 193
DRAINS .....	32	RELAIS .....	200
<b>E</b>			
ELECTRICAL SYSTEM .....	60	RELAY .....	147, 149, 159
ELEMENT AND MOUNTS .....	18	REMOTE START .....	168
EMERGENCY STOP .....	51	RIM .....	143, 144
ENGINE .....	16	ROAD SIGNALISATION .....	169, 170, 171
ENGINE AND ACCESSORIES .....	16	ROOF .....	91, 95
ENGINE COOLING PIPING .....	34	ROOF - AFTERCOOLER .....	198
ENGINE OIL .....	5	ROOF ASSEMBLY .....	90, 93, 95, 96, 97
EXHAUST .....	26	ROOF ASSEMBLY FRONT .....	83, 90, 91
EXHAUST PIPE .....	26, 66, 158	ROOF ASSEMBLY REAR .....	83, 94, 96
<b>F</b>			
FAN .....	106	ROOF ASSY FRONT .....	81
FAN SHAFT ASSEMBLY .....	106, 107	ROOF ASSY REAR .....	81
FAN DRIVE ASSEMBLY .....	100, 101, 106	ROOTS AND BEAMS .....	57
FILTER .....	201	RUBBER BUFFER .....	18
FLANGE .....	31	<b>S</b>	
FLASH LIGHT .....	31	SAFETY VALVE .....	19, 68, 69, 70, 71, 165
FORKLIFT SLOTS ROW .....	173	SERVICE KIT ELEMENT MOUNTING .....	13
FRAME AND MOUNTS .....	17	SERVICE KIT ELEMENT MOUNTING (HIGH PRESSURE) .....	14
FUEL FILTER .....	151, 153, 156	SERVICE KIT ELEMENT MOUNTING (LOW PRESSURE) .....	9
FUEL GAUGE .....	63	SERVICE KIT GEAR CASING .....	9
FUEL SYSTEM .....	150, 152	SERVICE KIT OIL SEPARATOR .....	10
FUEL TANK .....	154, 155	SERVICE KIT OIL STOP VALVE .....	12
FUEL TANK ASSEMBLY .....	154, 155	SERVICE KIT REGULATING VALVE .....	7
FUEL TANK ASSEMBLY .....	151	SERVICE KIT UNLOADING VALVE .....	6
<b>G</b>			
GEAR CASING .....	19	SERVICE PAK .....	4
GEAR SET .....	20, 21	SERVICE STAGE .....	15
GEAR WHEEL .....	21	SILENCER .....	26, 61, 185, 187, 189, 191, 193
GEARS .....	20	SKID .....	174, 176
<b>H</b>			
HEATER .....	200	SOLENOID VALVE .....	29, 61
HOLDER (DOCUMENT) .....	35	SPARK ARRESTOR .....	158
<b>I</b>			
INLET SHUT DOWN VALVE .....	159	SPHERICAL ROLLER BEARING .....	19
INNER CANOPY .....	54	SWE EYE .....	120
INTERCOOLER .....	103, 105	<b>T</b>	
ITA EYE .....	120	TEMPERATURE SENSOR .....	61, 95, 96, 162, 163, 164, 183, 185, 187, 189, 191, 193
<b>K</b>			
KEY .....	43, 50, 122, 127, 129	TENSION PULLEY ASSEMBLY .....	106, 108
<b>L</b>			
LABEL .....	41, 69, 81, 116, 135, 137, 139, 183, 185, 187, 189, 191, 193	THERMOSTATIC VALVE .....	68, 69, 70, 71
LEVEL DEVICE .....	166	TOWBAR .....	141
LEVEL GAUGE .....	111, 112	TOWBAR ABS .....	131, 142
LEVEL SENSOR .....	151	TOWING EYES .....	119, 120
LEVEL SWITCH .....	103, 105	TYRE ASSEMBLY .....	131, 135, 137, 139, 143, 144
LEVER .....	106	<b>U</b>	
LIFTING BEAM .....	17	UNDERCARRIAGE .....	130, 136
LIFTING EYE .....	68, 69, 70, 71, 160, 183, 185, 187, 189, 191, 193	UNDERCARRIAGE (BRAKE ABS) .....	132, 138
LIGHT .....	169, 170, 171	UNLOADER ASSEMBLY .....	23
<b>M</b>			
MANIFOLD .....	161	UNLOADER VALVE ASSEMBLY .....	24
MANIFOLD AND SENSORS .....	162, 163, 164	<b>V</b>	
MARKINGS .....	41, 116	VALVE .....	23, 24, 25
MEMBRANE .....	115, 201	VALVES ON ELEMENT .....	22
MINIMUM PRESSURE VALVE .....	68, 69, 70, 71	VESSEL ASME .....	114
<b>N</b>			
NARROW V-BELT .....	16	VESSEL ASSEMBLY .....	147, 149
NATO EYE .....	119	VESSEL EC .....	113
NO AFTERCOOLER .....	72, 73	VIBRATION DAMPER .....	16
NO COLD START (ASME) .....	110	<b>W</b>	
NO COLD START (EC) .....	109	WAGON UNDERCARRIAGE .....	134
NO MANIFOLD .....	118	WARNING SWITCH .....	39
NO PREHEATER .....	65	WATERSEPARATOR .....	183, 185, 187, 189, 191, 193
NO REHEATER (HP) .....	79	WHEEL CHOCKS .....	167
NO ROAD SIGNALISATION .....	117	WIRE .....	200
NO SHUT-OFF VALVE .....	67	WIRE HARNESS .....	61, 162, 163, 164, 169, 170, 171, 183, 185, 187, 189, 191, 193
NO SPARK ARRESTOR .....	66	WIRE MESH HOSE .....	160
NO UNDERCARRIAGE .....	178, 180	<b>X</b>	
NOISE REGULATION CE .....	80	<b>Y</b>	
NOISE REGULATION NOT CE .....	82	<b>Z</b>	
<b>O</b>			
OIL FILTER .....	68, 70, 71	<b>A</b>	
OIL NOZZLE .....	23	<b>B</b>	
OIL SEPARATOR ASSEMBLY (ASME) .....	110, 112, 200	<b>C</b>	
OIL SEPARATOR ASSEMBLY (EC) .....	109, 111	<b>D</b>	
OIL SEPARATOR ELEMENT .....	112	<b>E</b>	
OIL SEPARATOR ELEMENT ASSEMBLY .....	10, 11	<b>F</b>	
OIL STOP VALVE .....	23, 25	<b>G</b>	
OIL SYSTEM .....	30	<b>H</b>	
OUTER CANOPY .....	42, 121, 124	<b>I</b>	
<b>P</b>			
PANEL ASSEMBLY .....	36, 37, 43, 46, 48, 50, 53, 54, 55, 56, 72, 73, 76, 77, 81, 85, 86, 121, 123,	<b>J</b>	
PAROIL S .....	126, 127, 128, 129, 183, 185, 187, 189, 191, 193, 194, 195, 196	<b>K</b>	
PAROIL SAE 15W40 .....	5	<b>L</b>	
PD FILTER .....	185, 187, 191, 193	<b>M</b>	
PLATE ASSEMBLY .....	57, 58, 198, 199	<b>N</b>	
PREHEATER .....	145	<b>O</b>	
PRESSURE GAUGE .....	63, 165	<b>P</b>	
PRESSURE REDUCER .....	165	<b>Q</b>	
PRESSURE REGULATOR .....	165	<b>R</b>	
PRESSURE SCREW .....	33	<b>S</b>	
PRESSURE SENSOR .....	61, 162, 163, 164, 183, 185, 187, 189, 191, 193	<b>T</b>	
PRESSURE VESSEL ASSEMBLY (ASME) .....	112, 114	<b>U</b>	
PRESSURE VESSEL ASSEMBLY EC .....	111, 113	<b>V</b>	
PULLEY .....	16	<b>W</b>	
<b>Q</b>			
QD FILTER .....	187, 193	<b>X</b>	
<b>R</b>			
RADIATOR .....	103, 105	<b>Y</b>	
REDUCER FOR SCAVENGE PIPE .....	29	<b>Z</b>	
REGULATING SYSTEM .....	28	<b>A</b>	
REGULATING VALVE .....	109, 110, 115, 200, 201	<b>B</b>	
REHEATER .....	189, 191, 193	<b>C</b>	
RELAIS .....	200	<b>D</b>	
RELAY .....	147, 149, 159	<b>E</b>	
REMOTE START .....	168	<b>F</b>	
RIM .....	143, 144	<b>G</b>	
ROAD SIGNALISATION .....	169, 170, 171	<b>H</b>	
ROOF .....	91, 95	<b>I</b>	
ROOF - AFTERCOOLER .....	198	<b>J</b>	
ROOF ASSEMBLY .....	90, 93, 95, 96, 97	<b>K</b>	
ROOF ASSEMBLY FRONT .....	83, 90, 91	<b>L</b>	
ROOF ASSEMBLY REAR .....	83, 94, 96	<b>M</b>	
ROOF ASSY FRONT .....	81	<b>N</b>	
ROOF ASSY REAR .....	81	<b>O</b>	
ROOTS AND BEAMS .....	57	<b>P</b>	
RUBBER BUFFER .....	18	<b>Q</b>	
<b>S</b>			
SAFETY VALVE .....	19, 68, 69, 70, 71, 165	<b>R</b>	
SERVICE KIT ELEMENT MOUNTING .....	13	<b>S</b>	
SERVICE KIT ELEMENT MOUNTING (HIGH PRESSURE) .....	14	<b>T</b>	
SERVICE KIT ELEMENT MOUNTING (LOW PRESSURE) .....	9	<b>U</b>	
SERVICE KIT GEAR CASING .....	9	<b>V</b>	
SERVICE KIT OIL SEPARATOR .....	10	<b>W</b>	
SERVICE KIT OIL STOP VALVE .....	12	<b>X</b>	
SERVICE KIT REGULATING VALVE .....	7	<b>Y</b>	
SERVICE KIT UNLOADING VALVE .....	6	<b>Z</b>	
SERVICE PAK .....	4	<b>A</b>	
SERVICE STAGE .....	15	<b>B</b>	
SILENCER .....	26, 61, 185, 187, 189, 191, 193	<b>C</b>	
SKID .....	174, 176	<b>D</b>	
SOLENOID VALVE .....	29, 61	<b>E</b>	
SPARK ARRESTOR .....	158	<b>F</b>	
SPHERICAL ROLLER BEARING .....	19	<b>G</b>	
SWE EYE .....	120	<b>H</b>	
<b>T</b>			
TEMPERATURE SENSOR .....	61, 95, 96, 162, 163, 164, 183, 185, 187, 189, 191, 193	<b>I</b>	
TENSION PULLEY ASSEMBLY .....	106, 108	<b>J</b>	
THERMOSTATIC VALVE .....	68, 69, 70, 71	<b>K</b>	
TOWBAR .....	141	<b>L</b>	
TOWBAR ABS .....	131, 142	<b>M</b>	
TOWING EYES .....	119, 120	<b>N</b>	
TYRE ASSEMBLY .....	131, 135, 137, 139, 143, 144	<b>O</b>	
<b>U</b>			
UNDERCARRIAGE .....	130, 136	<b>P</b>	
UNDERCARRIAGE (BRAKE ABS) .....	132, 138	<b>Q</b>	
UNLOADER ASSEMBLY .....	23	<b>R</b>	
UNLOADER VALVE ASSEMBLY .....	24	<b>S</b>	
<b>V</b>			
VALVE .....	23, 24, 25	<b>T</b>	
VALVES ON ELEMENT .....	22	<b>U</b>	
VESSEL ASME .....	114	<b>V</b>	
VESSEL ASSEMBLY .....	147, 149	<b>W</b>	
VESSEL EC .....	113	<b>X</b>	
VIBRATION DAMPER .....	16	<b>Y</b>	
<b>W</b>			
WAGON UNDERCARRIAGE .....	134	<b>Z</b>	
WARNING SWITCH .....	39	<b>A</b>	
WATERSEPARATOR .....	183, 185, 187, 189, 191, 193	<b>B</b>	
WHEEL CHOCKS .....	167	<b>C</b>	
WIRE .....	200	<b>D</b>	
WIRE HARNESS .....	61, 162, 163, 164, 169, 170, 171, 183, 185, 187, 189, 191, 193	<b>E</b>	
WIRE MESH HOSE .....	160	<b>F</b>	

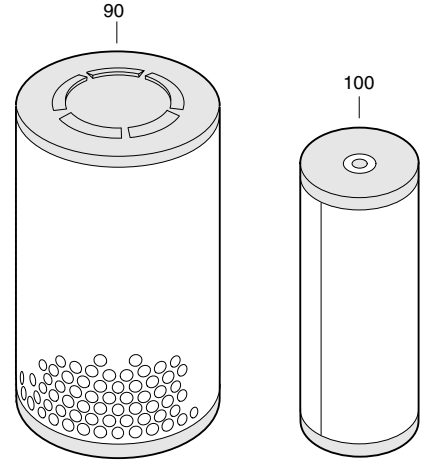
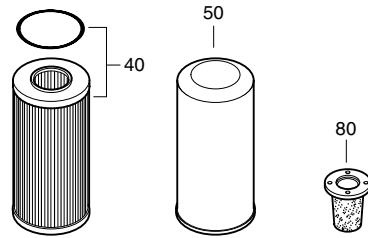
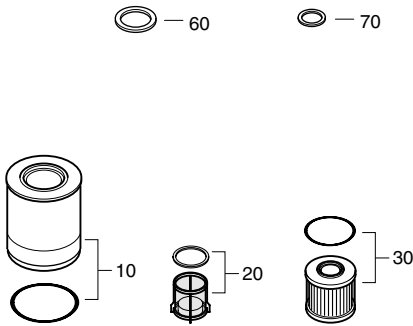
# SERVICE PAK



**INITIAL (50 H)**



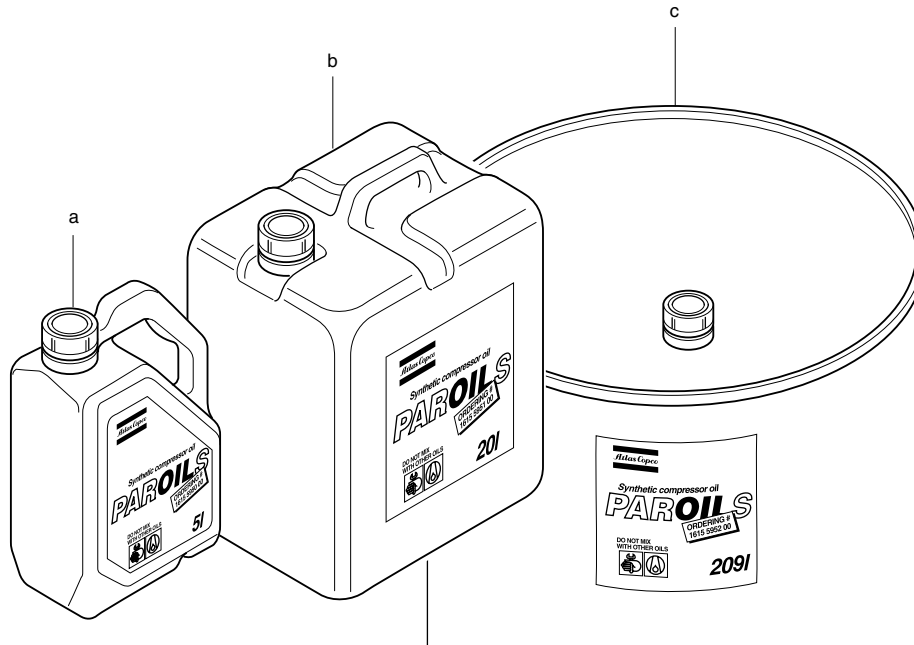
**6 MONTHS (500 H)**



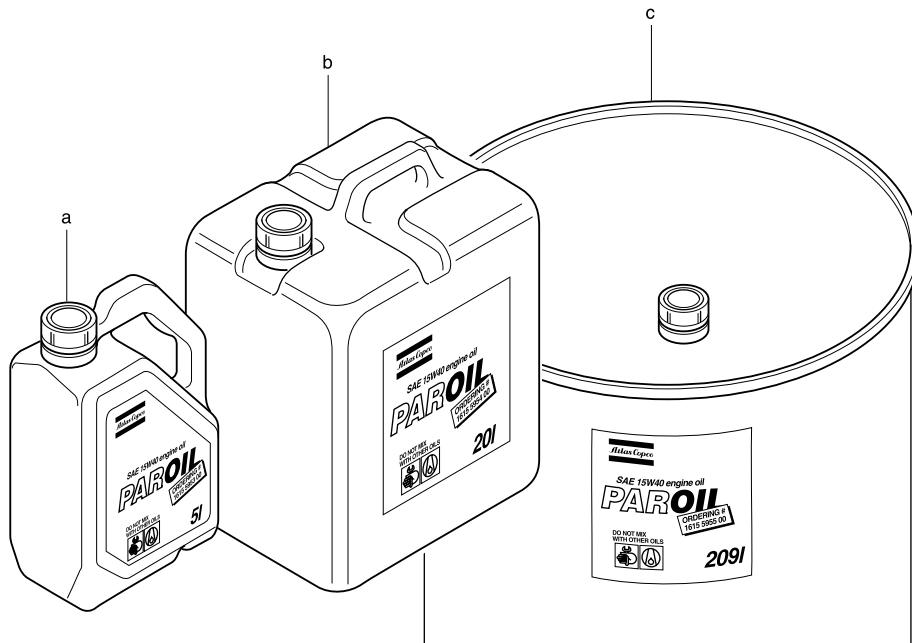
**YEARLY (1000 H)**

REF	PART NUMBER	DESIGNATION	QTY	REF	PART NUMBER	DESIGNATION	QTY
-	-	PAK 50H HP SIZE II	1	-	2912 4357 06	YEARLY (1000 H) SERVICE PAK	1
•20	-	FILTER ELEMENT	3	•10	-	FUEL FILTER EL	1
-	2912 4356 05	6 MONTHS (500 H) SERVICE PAK	1	•20	-	FUEL PRE FILTER	1
•10	-	FUEL FILTER EL	1	•30	-	FUEL FILTER	1
•20	-	FUEL PRE FILTER	1	•40	-	OIL FILTER	1
•30	-	FUEL FILTER	1	•50	-	FILTER ELEMENT	3
•40	-	OIL FILTER	1	•60	-	FLAT GASKET	1
•50	-	SEALING WASHER	1	•70	-	SEALING WASHER	6
				•80	-	FILTER	1
				•90	-	AIR FILTER ELEMENT	4
				•100	-	AIR FILTER SAFETY CARTRIDGE	4

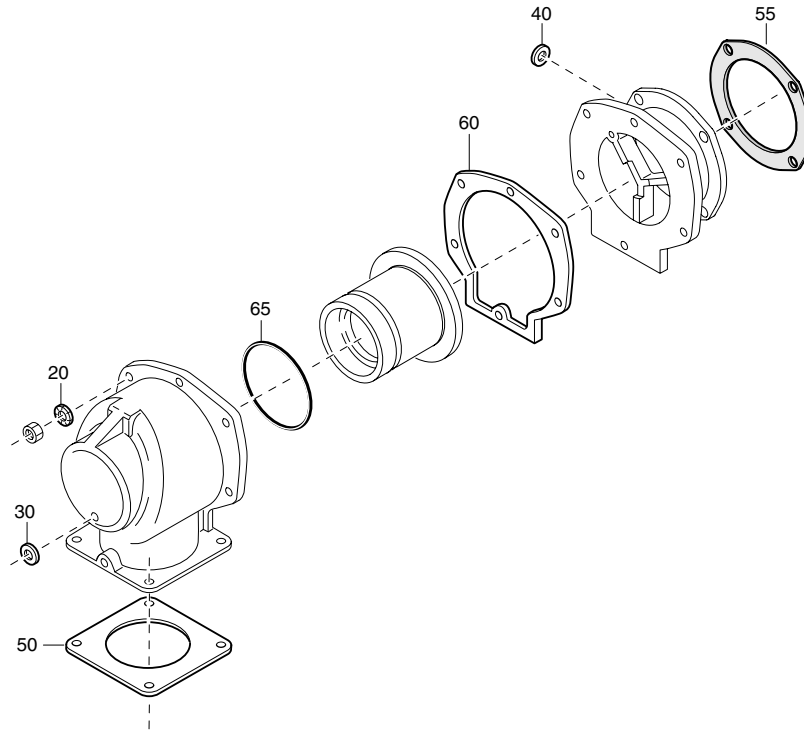
**OIL**



REF	PART NUMBER	DESIGNATION	QTY
-		<i>PAROIL S</i>	
a	1615 5950 00	OIL CAN 5 L	1
b	1615 5951 00	OIL CAN 20 L	1
c	1615 5952 00	STEEL DRUM 209 L	1

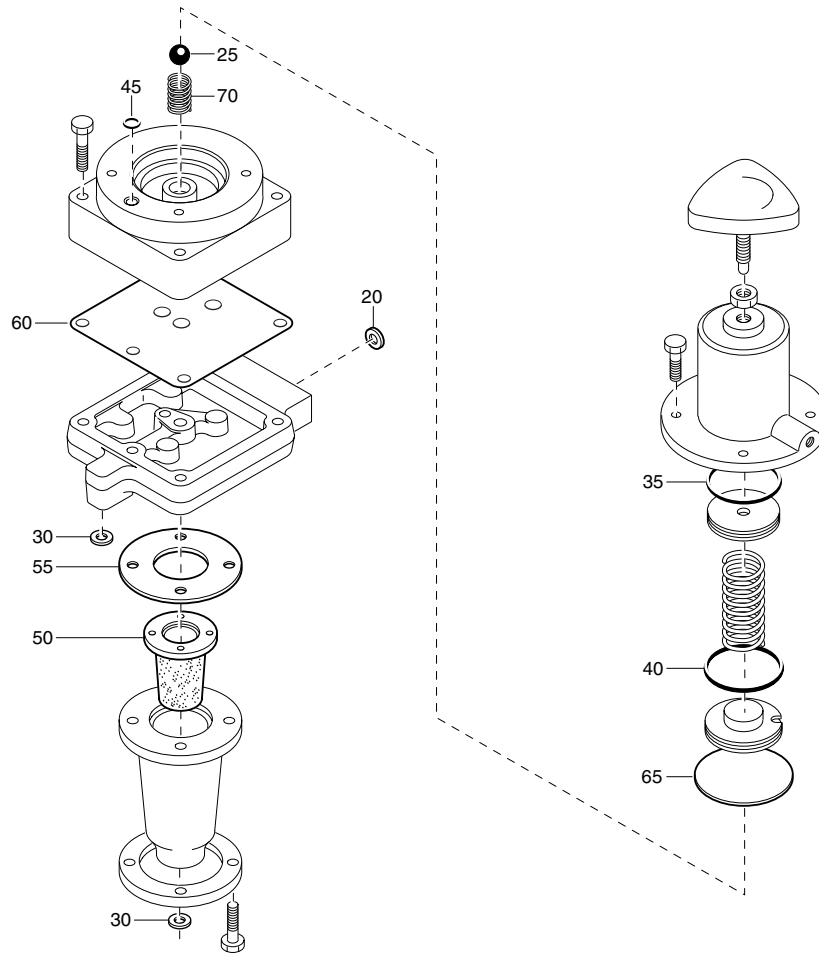


REF	PART NUMBER	DESIGNATION	QTY
-		<i>PAROIL SAE 15W40</i>	
a	1615 5953 00	OIL CAN 5 L	1
b	1615 5954 00	OIL CAN 20 L	1
c	1615 5955 00	STEEL DRUM 209 L	1

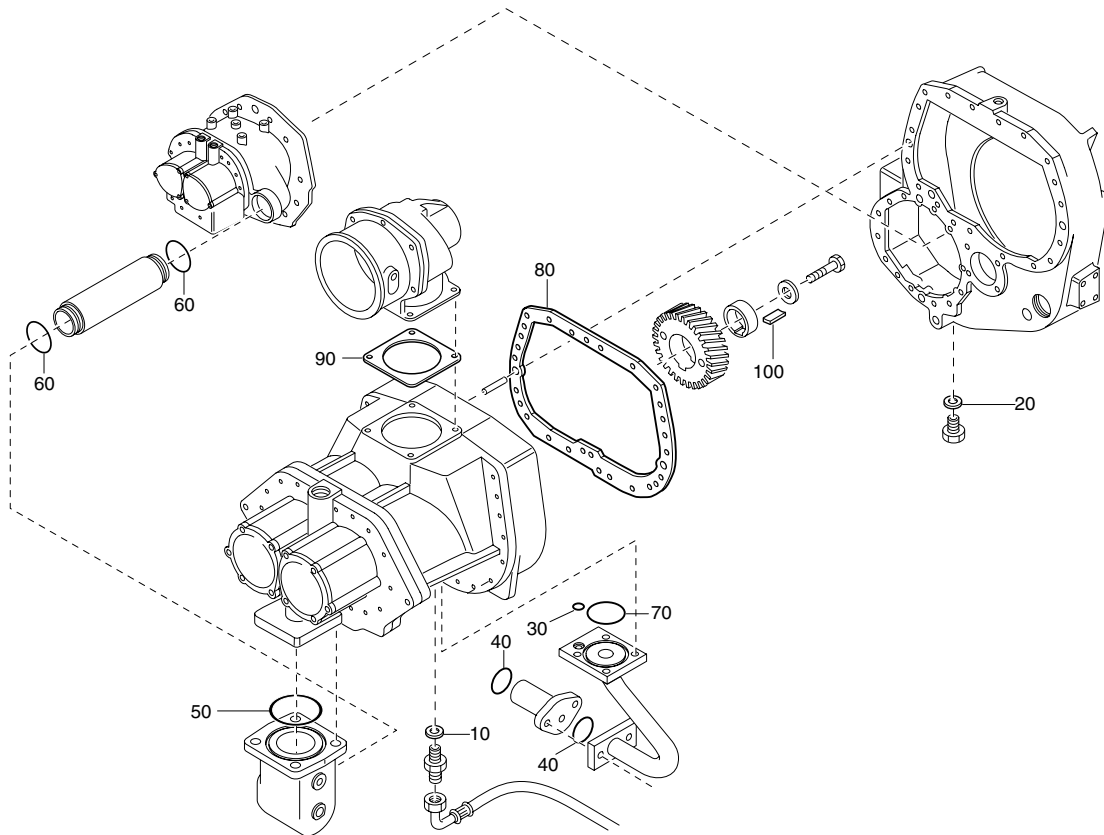
**SERVICE KIT**

REF	PART NUMBER	DESIGNATION	QTY
-	2910 3003 00	SERVICE KIT UNLOADING VALVE	
•20	-	LOCK WASHER	4
•25	-	FLAT GASKET	1
•30	-	FLAT GASKET	1
•35	-	FLAT GASKET	1
•40	-	FLAT GASKET	1
•45	-	O-RING	1
•50	-	GASKET	1
•55	-	GASKET	1
•60	-	GASKET	1
•65	-	SEALRING	1

# SERVICE KIT

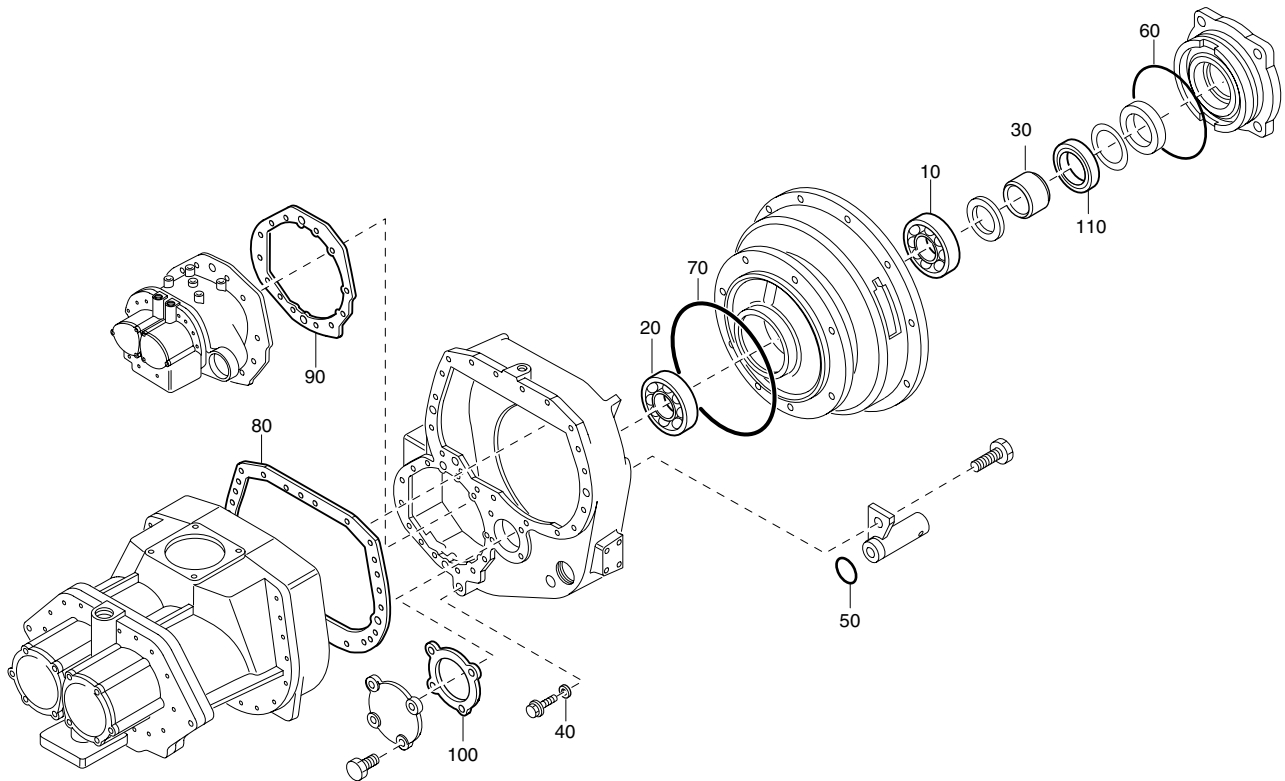


REF	PART NUMBER	DESIGNATION	QTY
-	2910 3005 00	KIT REGULATING VALVE	
•20	-	LOCK WASHER	2
•25	-	BEARING BALL	1
•30	-	FLAT GASKET	2
•35	-	O-RING	1
•40	-	O-RING	1
•45	-	O-RING	1
•50	-	FILTER	1
•55	-	GASKET	1
•60	-	GASKET	1
•65	-	MEMBRANE	1
•70	-	SPRING	1

**SERVICE KIT**

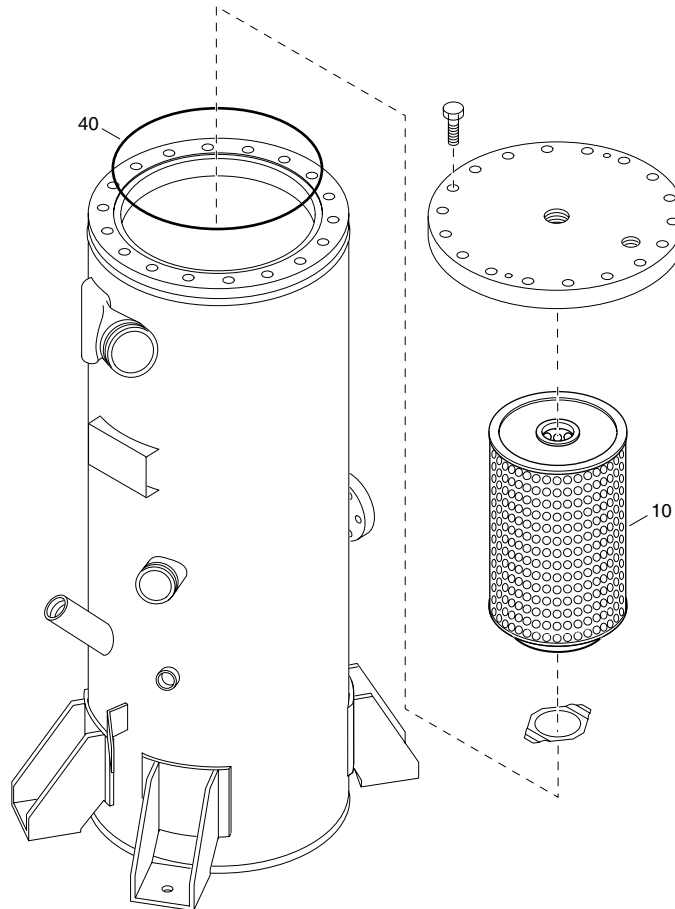
REF	PART NUMBER	DESIGNATION	QTY
-	2910 4041 00	SERVICE KIT ELEMENT MOUNTING	
•10	-	FLAT GASKET	1
•20	-	SEAL WASHER	1
•30	-	O-RING	2
•40	-	O-RING	2
•50	-	O-RING	1
•60	-	O-RING	2
•70	-	O-RING	2
•80	-	GASKET	1
•90	-	GASKET	1
•100	-	PARALLEL KEY	1

## SERVICE KIT

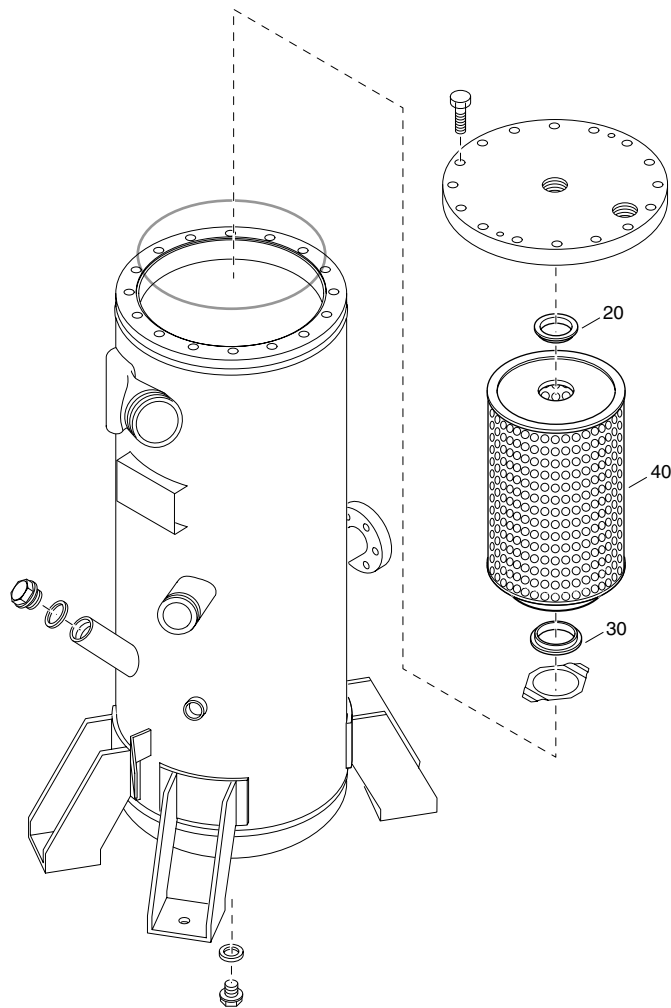


REF	PART NUMBER	DESIGNATION	QTY
-	2911 0066 00	SERVICE KIT GEAR CASING	
•10	-	BEARING	1
•20	-	BEARING	1
•30	-	BUSHING	1
•40	-	SEALING WASHER	1
•50	-	O-RING	2
•60	-	O-RING	1
•70	-	O-RING	1
•80	-	GASKET	1
•90	-	GASKET	1
•100	-	GASKET	1
•110	-	SEALING RING	2

# SERVICE KIT

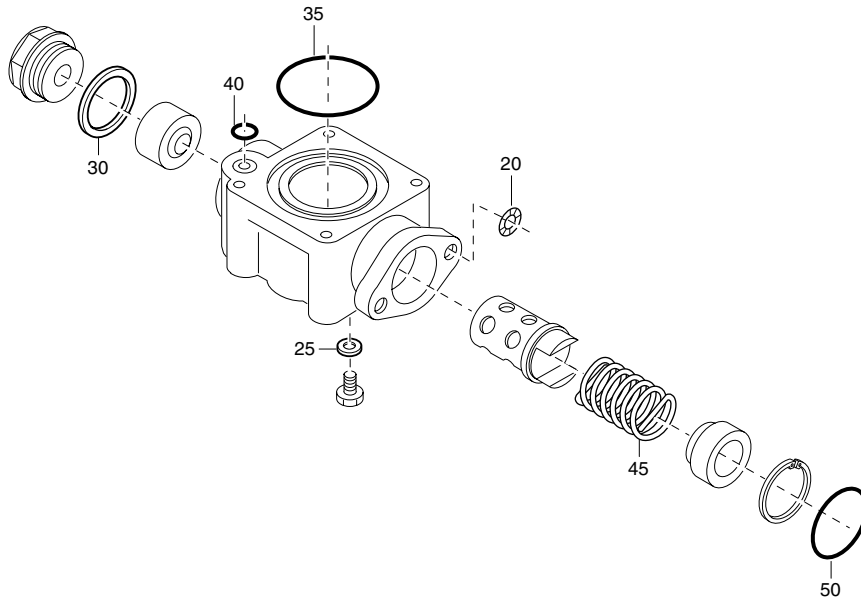


REF	PART NUMBER	DESIGNATION	QTY
-	2911 0117 00	SERVICE KIT OIL SEPARATOR	
•10	1604 1328 80	OIL SEP ELEMENT ASS'Y (For details see page 11)	1
•40	-	O-RING	1



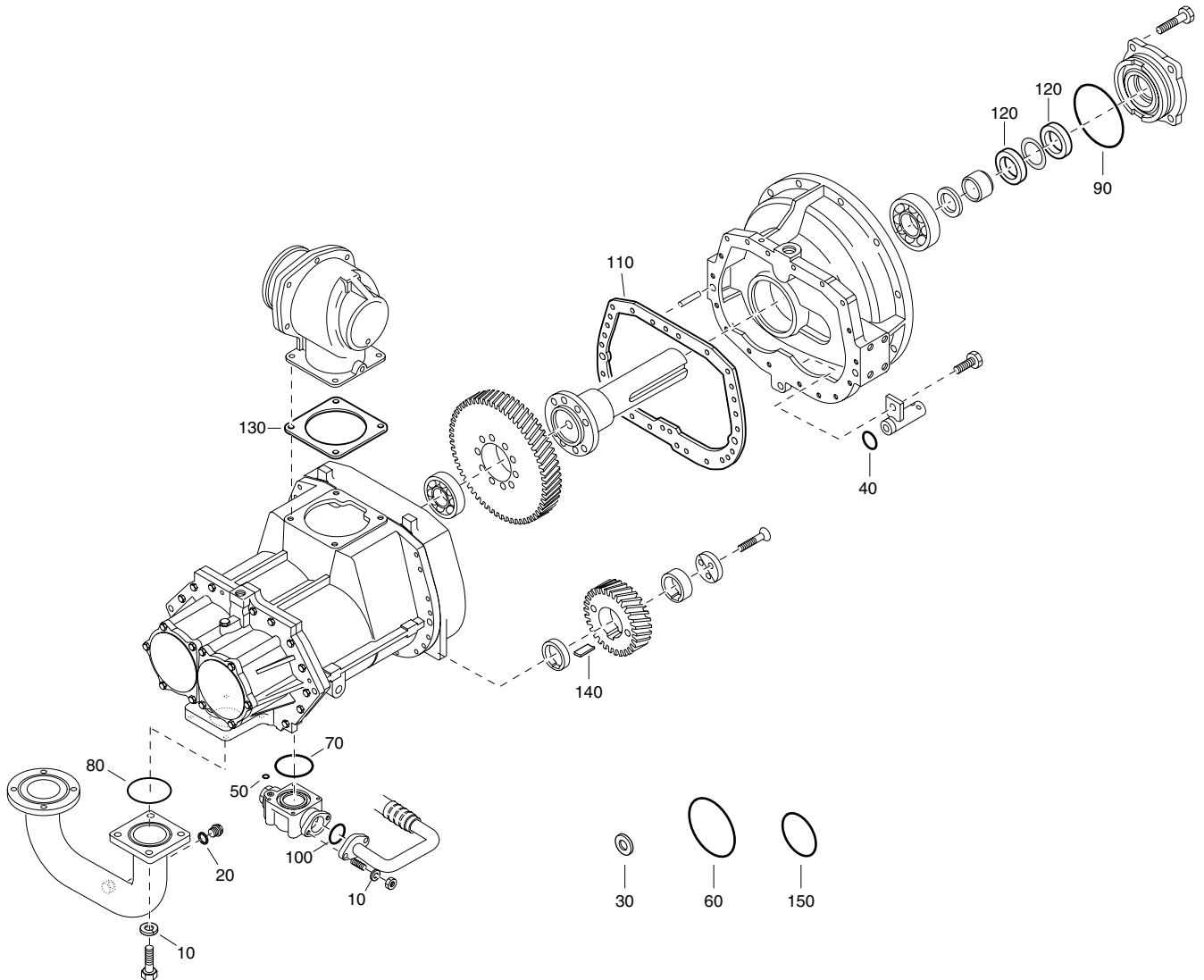
REF	PART NUMBER	DESIGNATION	QTY
-	1604 1328 80	OIL SEP ELEMENT ASS'Y	
•20	-	SEAL (OIL SEPARATOR)	1
•30	-	SEAL (OILSEPARATOR)	1
•40	-	OILSEP. ELEMENT	1

# SERVICE KIT



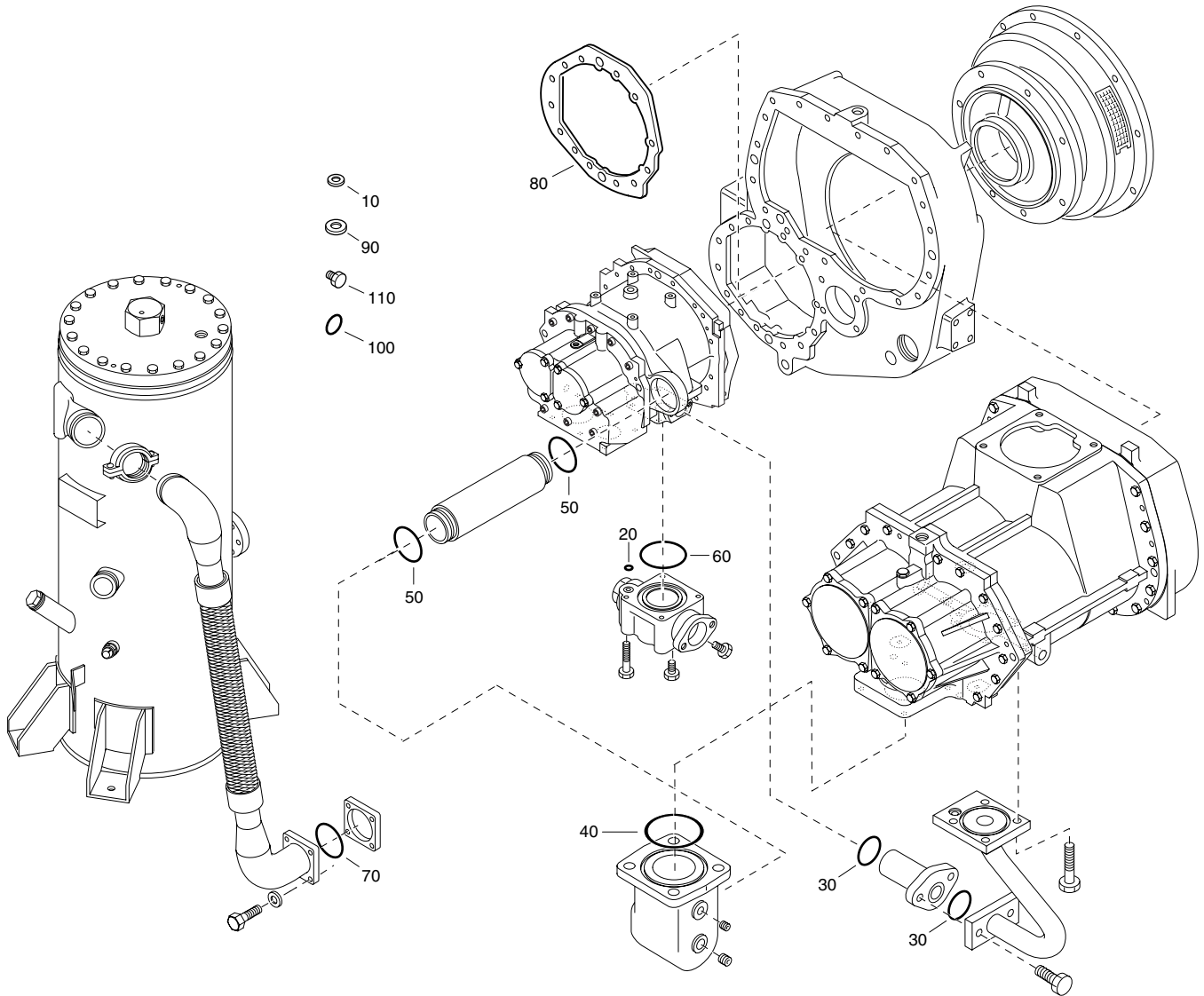
REF	PART NUMBER	DESIGNATION	QTY
-	2911 0118 00	SERVICE KIT OIL STOP VALVE	
•20	-	LOCK WASHER	2
•25	-	SEALING WASHER	1
•30	-	SEALING WASHER	1
•35	-	O-RING	1
•40	-	O-RING	1
•45	-	COMPR.SPRING	1
•50	-	O-RING	1

# SERVICE KIT



REF	PART NUMBER	DESIGNATION	QTY
-	2911 0119 00	SERVICE KIT ELEMENT MOUNTING	
•10	-	LOCK WASHER	14
•20	-	FLAT GASKET	1
•30	-	SEALING WASHER	1
•40	-	O-RING	1
•50	-	O-RING	1
•60	-	O-RING	1
•70	-	O-RING	1
•80	-	O-RING	1
•90	-	O-RING	1
•100	-	O-RING	1
•110	-	GASKET	1
•120	-	SEALING RING	2
•130	-	GASKET	1
•140	-	PARALLEL KEY	1
•150	-	O-RING	1

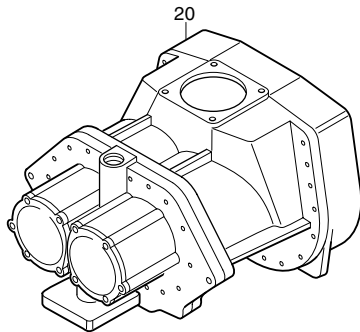
# SERVICE KIT



REF	PART NUMBER	DESIGNATION	QTY
-	2911 0120 00	SERVICE KIT ELEMENT MOUNTING	
•10	-	SEALING WASHER	3
•20	-	O-RING	1
•30	-	O-RING	2
•40	-	O-RING	1
•50	-	O-RING	2
•60	-	O-RING	1
•70	-	O-RING	1
•80	-	GASKET	1
•90	-	SEALING WASHER	1
•100	-	O-RING	1
•110	-	HEXAGON PLUG	1

**1ST STAGE**

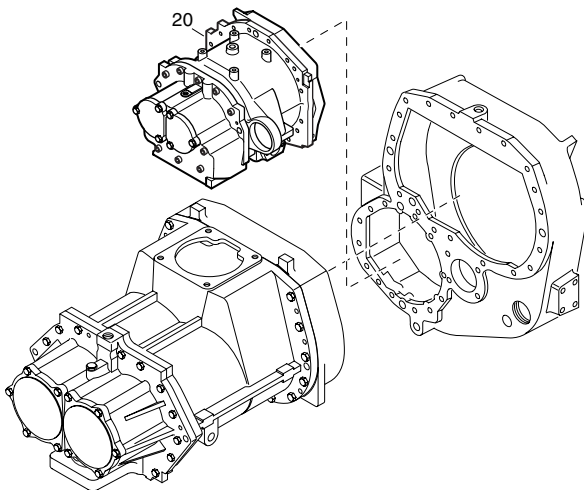
REF	PART NUMBER	DESIGNATION	QTY
20	2934 9988 36	SERVICE STAGE	1



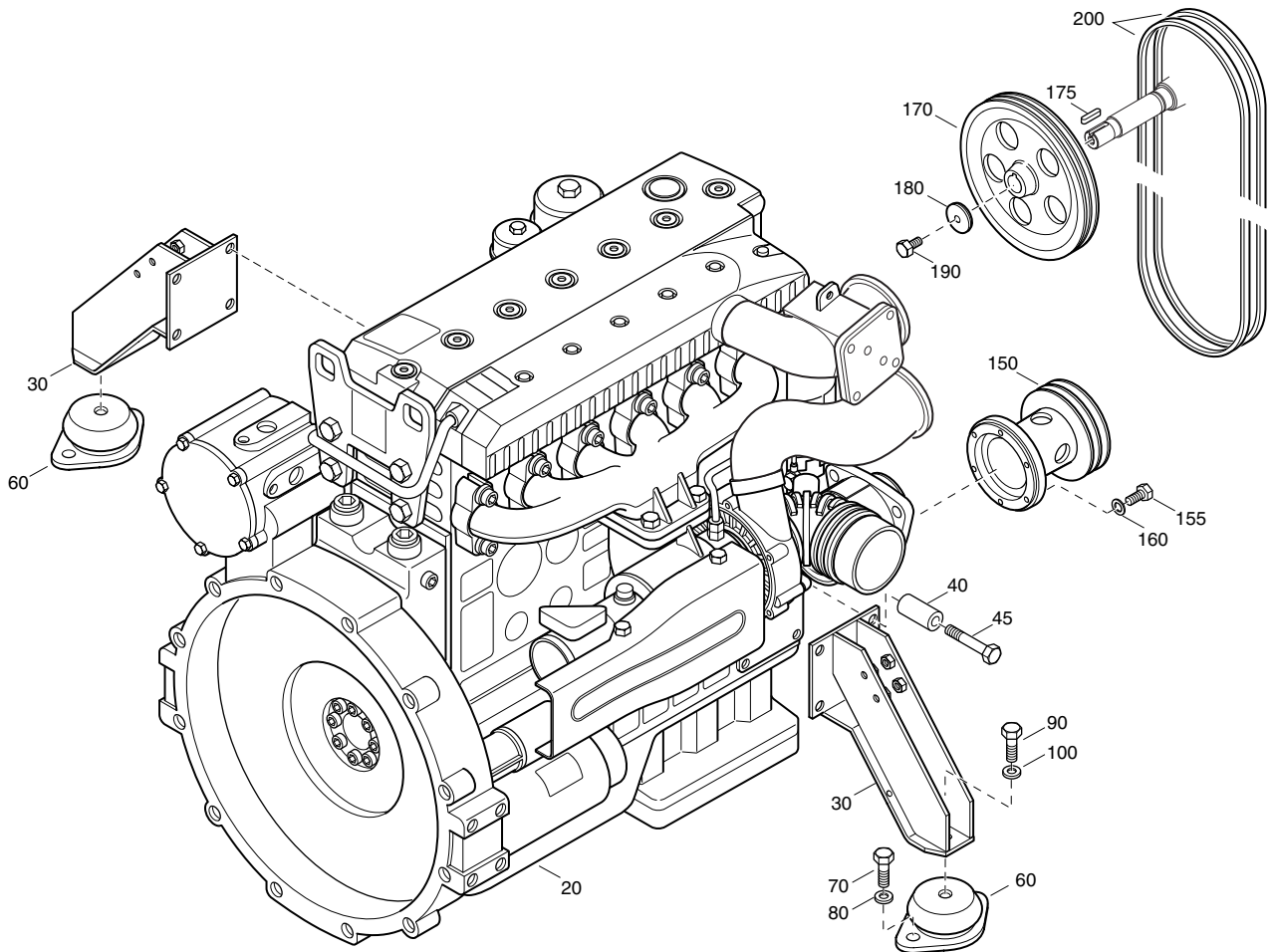
2934 9988 36

**2ND STAGE**

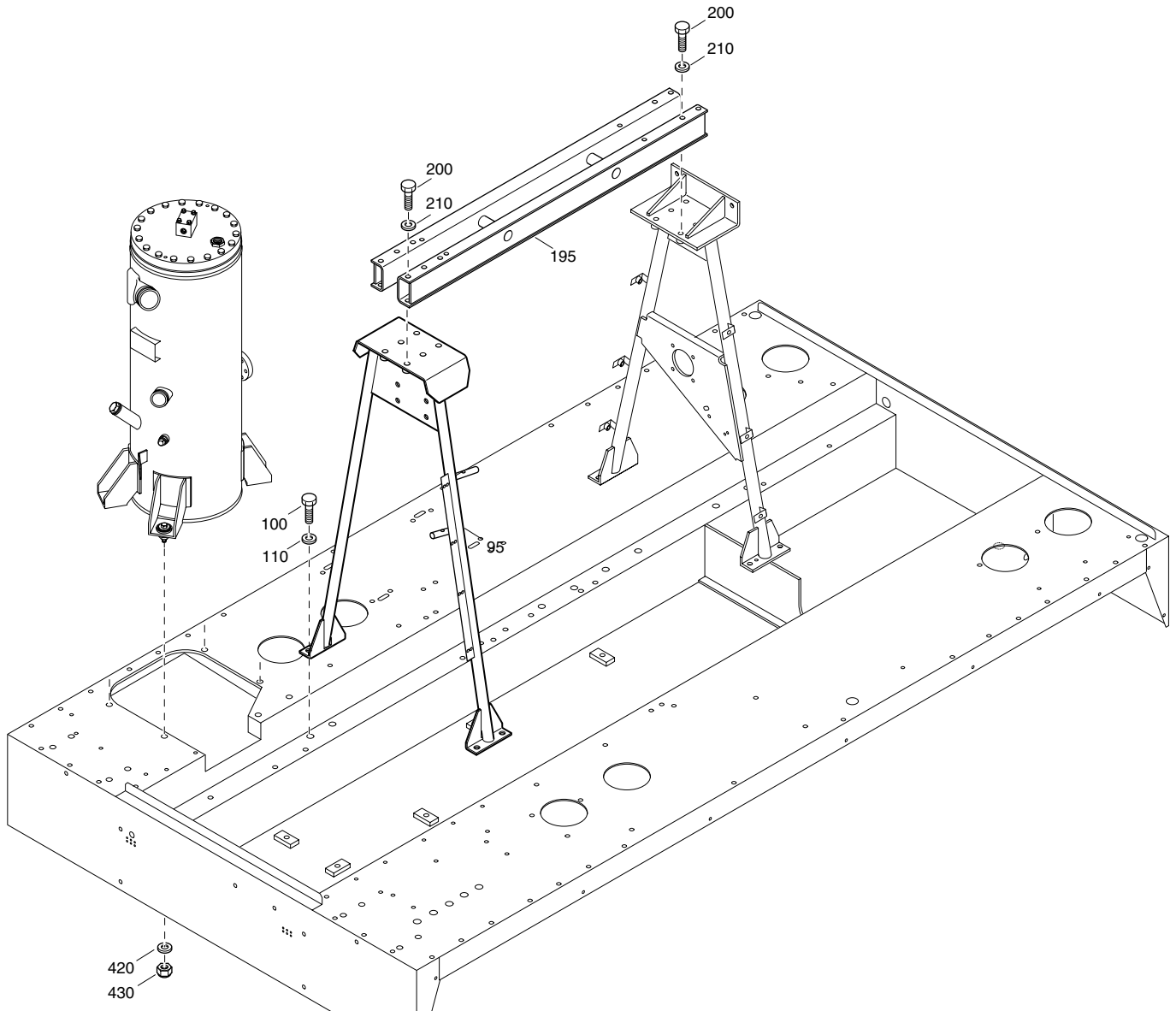
REF	PART NUMBER	DESIGNATION	QTY
20	1616 7098 91	SERVICE STAGE	1



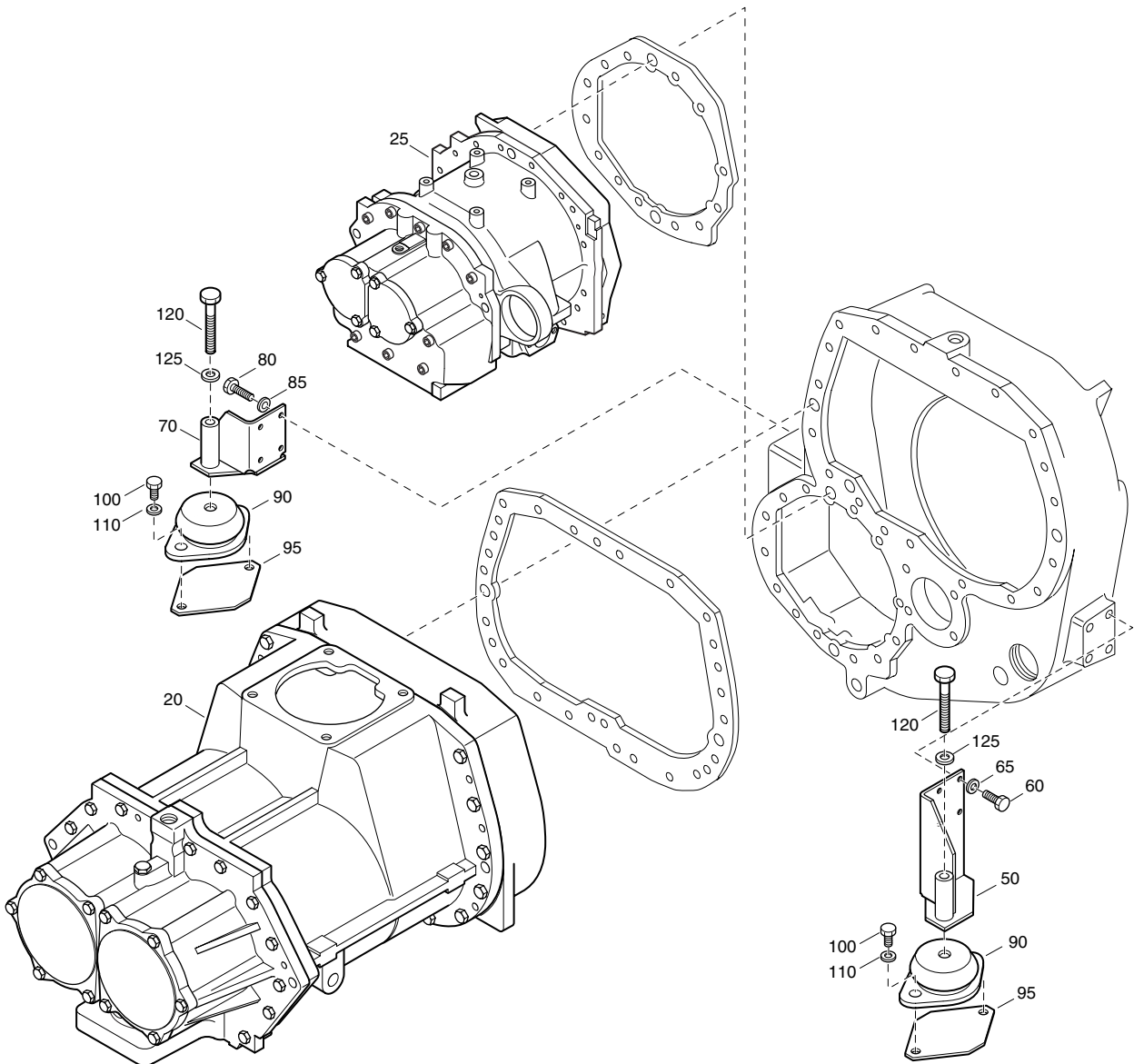
1616 7098 91



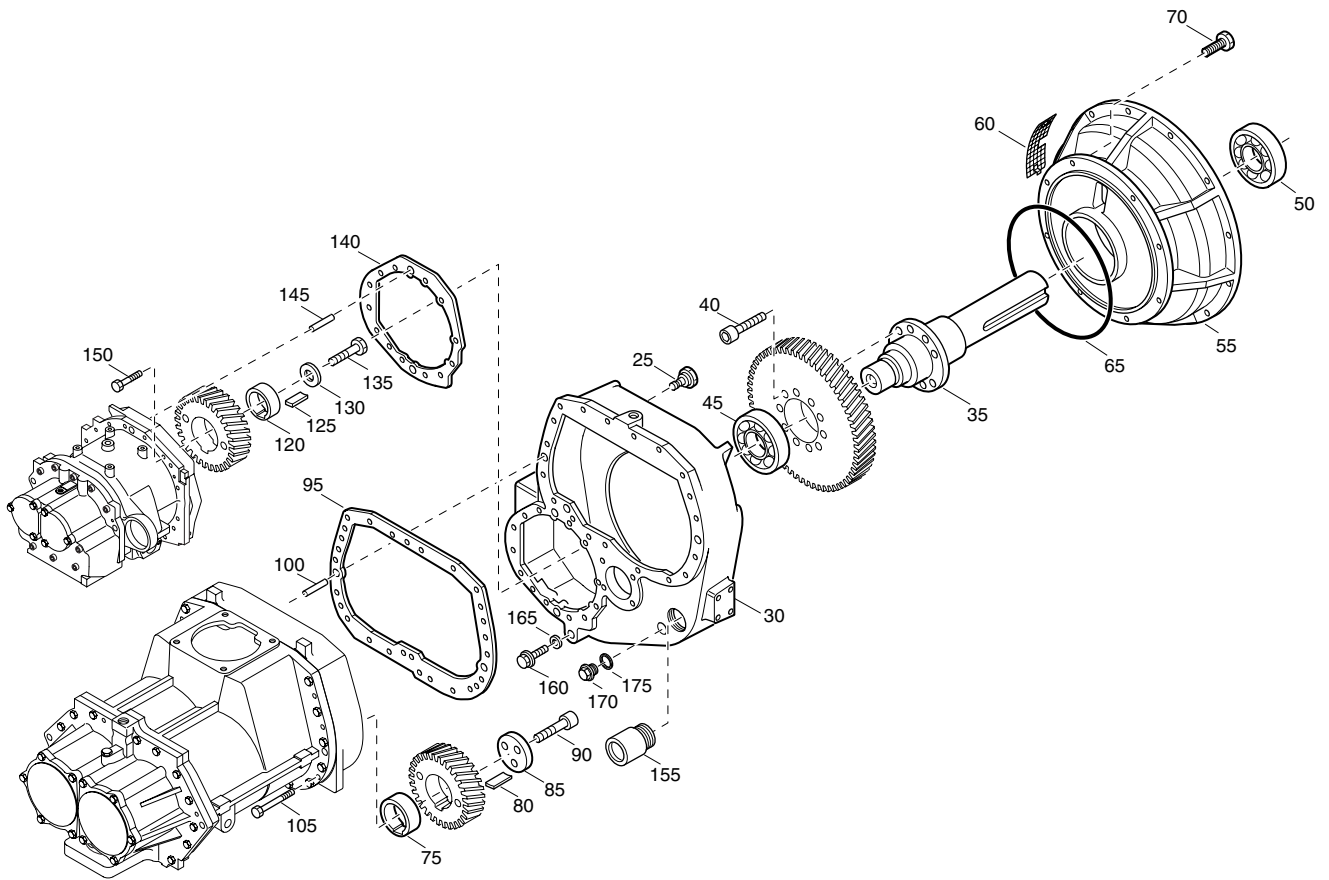
REF	PART NUMBER	DESIGNATION	QTY
20	1604 2619 02	ENGINE	1
30	1604 2624 04	SUPPORT	2
40	1604 4705 00	SPACER	8
45	0147 1959 41	HEX. HEAD SCREW	8
60	1619 5506 02	VIBR. DAMPER	2
70	0147 1325 03	HEX. HEAD SCREW	4
80	0301 2335 00	PLAIN WASHER	4
90	0147 1363 03	HEX. HEAD SCREW	2
100	0301 2344 00	PLAIN WASHER	2
150	1604 2764 00	PULLEY	1
155	0147 1366 03	HEX. HEAD SCREW	6
160	0301 2344 00	PLAIN WASHER	6
170	1615 6428 01	PULLEY	1
175	0337 8158 00	PARALLEL KEY	1
180	1615 5441 00	WASHER	1
190	0147 1404 03	HEX. HEAD SCREW	1
200	0367 0100 32	NARROW V-BELT	2



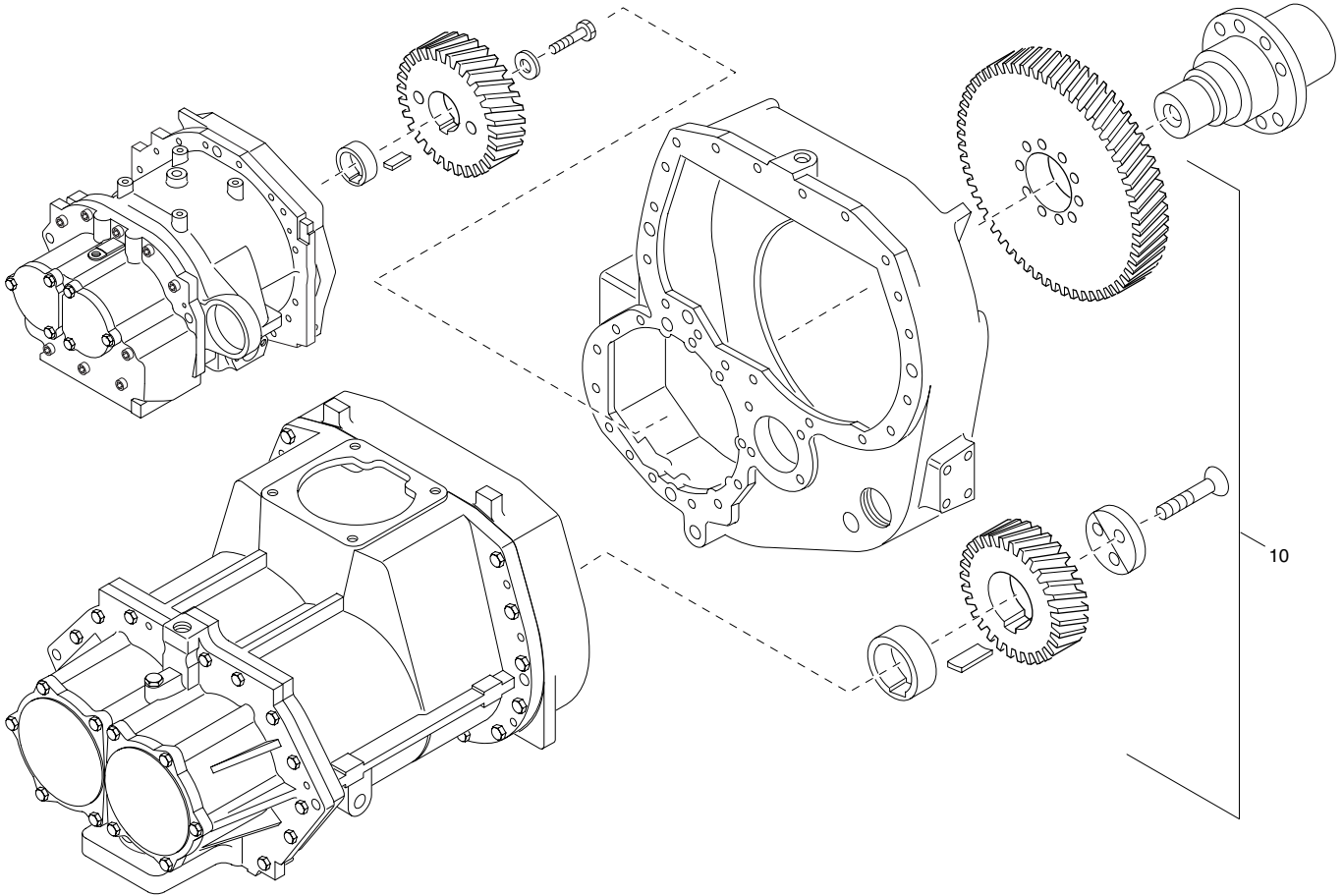
REF	PART NUMBER	DESIGNATION	QTY
95	1604 2528 04	SUPPORT	1
100	0147 1958 96	HEX. HEAD SCREW	4
110	0302 1274 04	PLAIN WASHER	4
195	1604 2529 02	LIFTING BEAM	1
200	0147 1495 03	HEX. HEAD SCREW	8
210	0302 1274 04	PLAIN WASHER	8
420	0300 0274 93	PLAIN WASHER	4
430	0291 1111 00	LOCKNUT	4



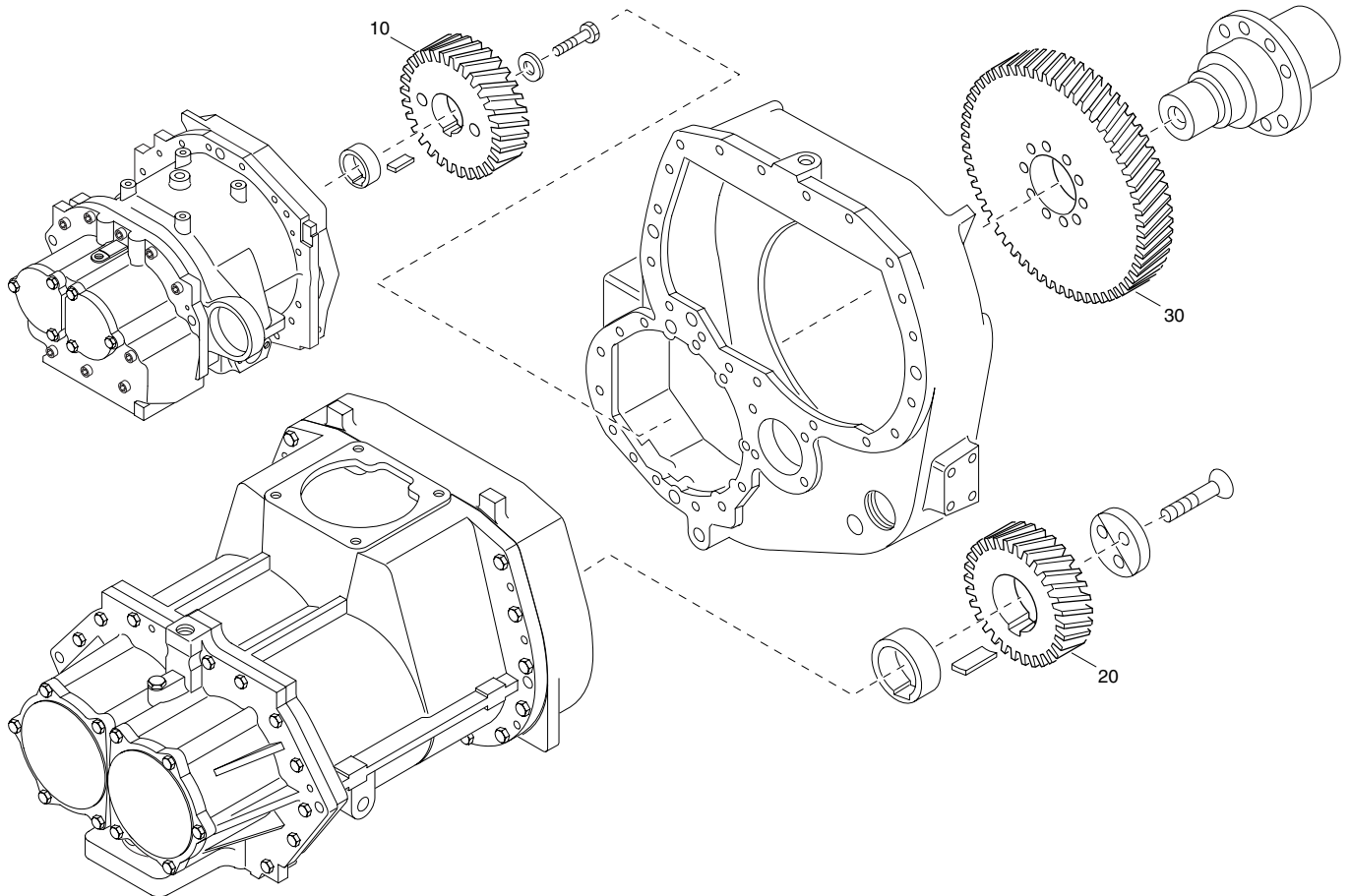
REF	PART NUMBER	DESIGNATION	QTY
20	1616 5332 81	O.I.S. N-02	1
25	1616 7098 80	O.I.S. J-23	1
50	1604 2450 00	SUPPORT	1
60	0147 1401 03	HEX. HEAD SCREW	4
65	0301 2358 00	PLAIN WASHER	4
70	1604 2451 00	SUPPORT	1
80	0147 1401 03	HEX. HEAD SCREW	4
85	0301 2358 00	PLAIN WASHER	4
90	1619 5189 01	RUBBER BUFFER	2
95	1604 2803 00	PLATE	2
100	0147 1401 03	HEX. HEAD SCREW	4
110	0301 2358 00	PLAIN WASHER	4
120	0147 1494 03	HEX. HEAD SCREW	2
125	0300 0276 23	PLAIN WASHER	2



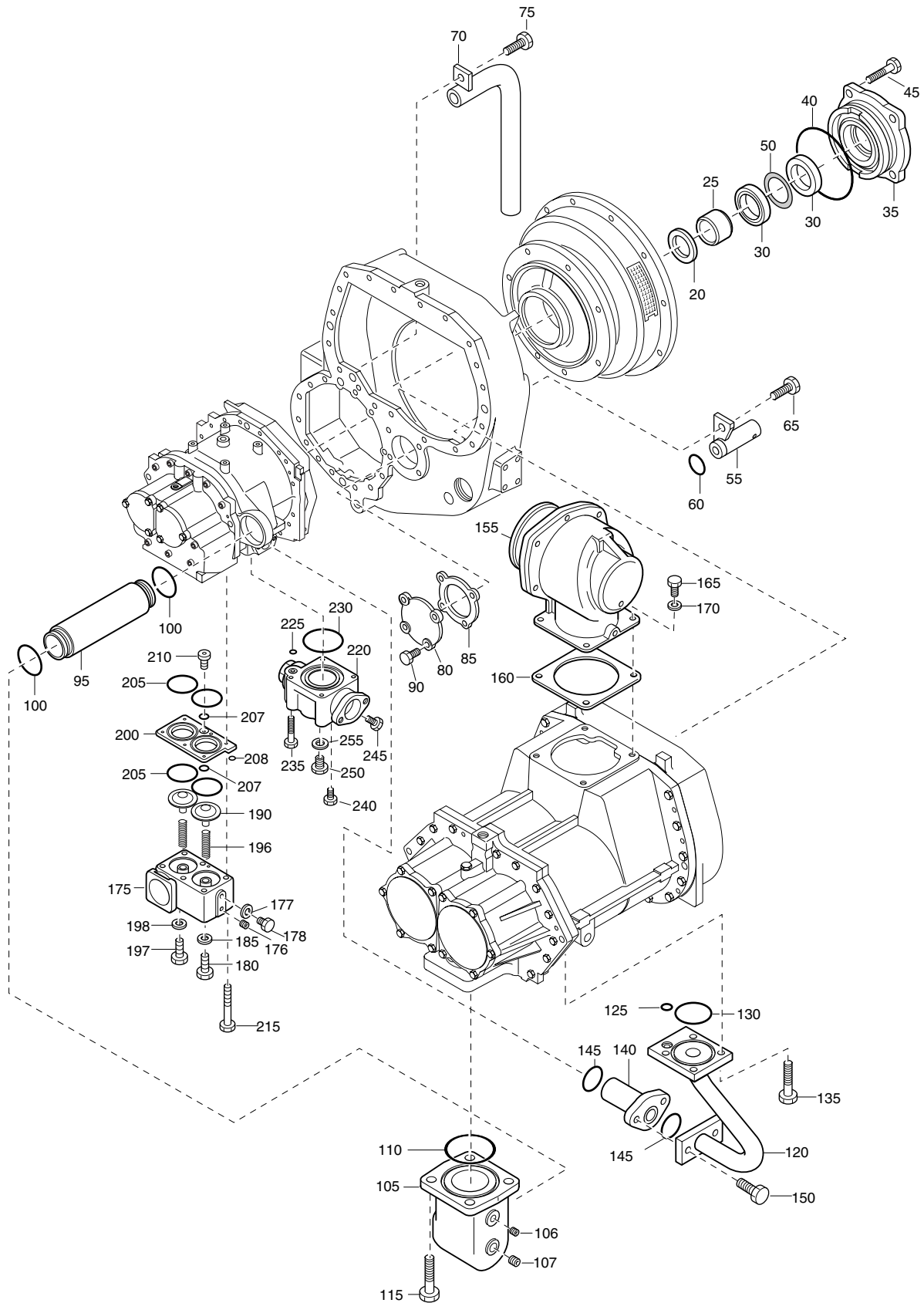
REF	PART NUMBER	DESIGNATION	QTY	REF	PART NUMBER	DESIGNATION	QTY
25	1619 6032 00	NIPPLE	1	135	0147 1409 03	HEX. HEAD SCREW	1
30	2252 5483 00	GEAR CASING	1	140	1202 7010 00	GASKET	1
35	2252 5484 00	DRIVE SHAFT	1	145	0101 1626 00	PARALLEL PIN	2
40	0211 1407 00	HEX SOCK. SCREW	10	150	0147 1371 03	HEX. HEAD SCREW	13
45	0506 5109 00	SPHERICAL ROLLER BEARING	1	155	2253 2423 80	SAFETY VALVE	1
50	0506 0100 08	SPHERICAL ROLLER BEARING	1	160	0686 3716 02	HEXAGON PLUG	1
55	1604 2692 01	ADAPTER	1	165	0661 1033 00	SEALING WASHER	1
60	1604 2693 02	PROTECTION	1	170	0686 3716 30	HEXAGON PLUG	1
65	0663 7177 00	O-RING	1	175	0661 1026 00	SEALING WASHER	1
70	0147 1365 03	HEX. HEAD SCREW	8				
75	2254 8831 00	BUSHING	1				
80	0337 6074 00	PARALLEL KEY	1				
85	2252 5470 00	WASHER	1				
90	0211 1409 00	HEX SOCK. SCREW	3				
95	1202 7009 00	GASKET	1				
100	0101 1626 00	PARALLEL PIN	2				
105	0147 1380 03	HEX. HEAD SCREW	18				
120	2252 8448 00	BUSHING	1				
125	0337 5194 00	PARALLEL KEY	1				
130	1613 2197 00	WASHER	1				



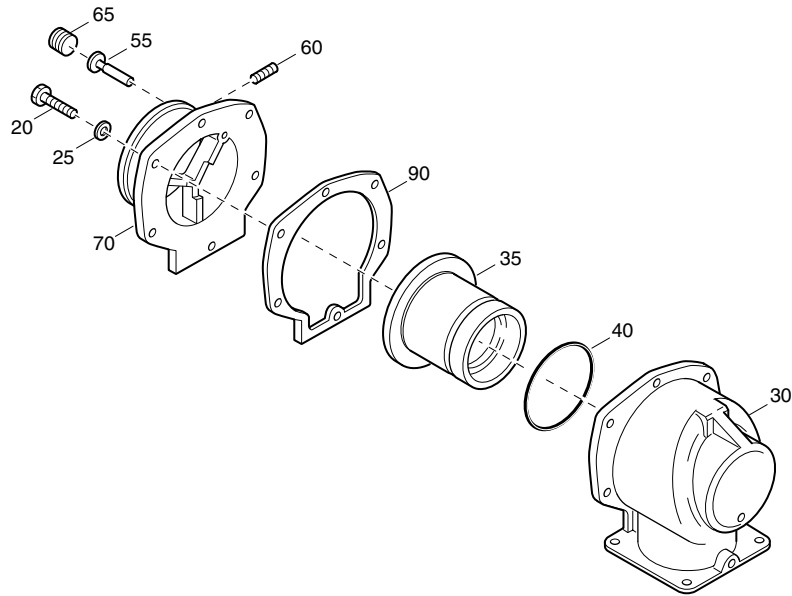
REF	PART NUMBER	DESIGNATION	QTY
10	1604 5396 80	GEAR SET (For details see page 21)	1



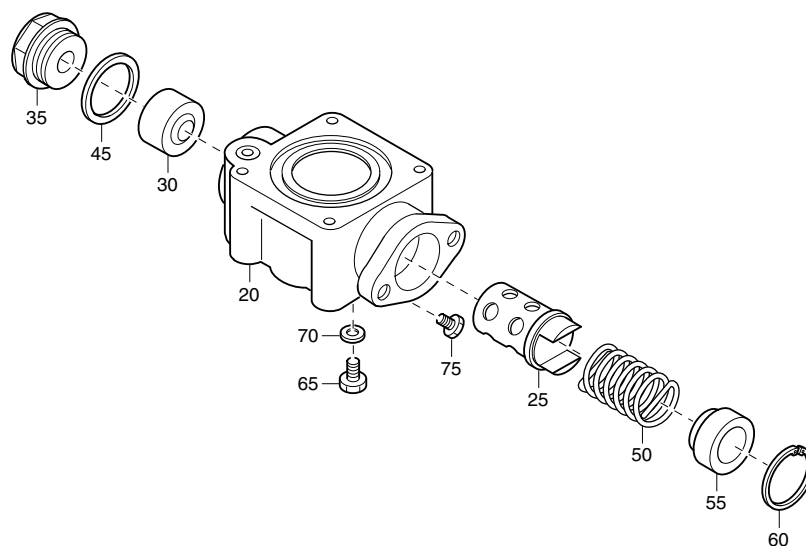
REF	PART NUMBER	DESIGNATION	QTY
-	1604 5396 80	GEAR SET	
•10	-	GEAR WHEEL (Not available separately)	1
•20	-	GEAR WHEEL (Not available separately)	1
•30	-	GEAR WHEEL (Not available separately)	1



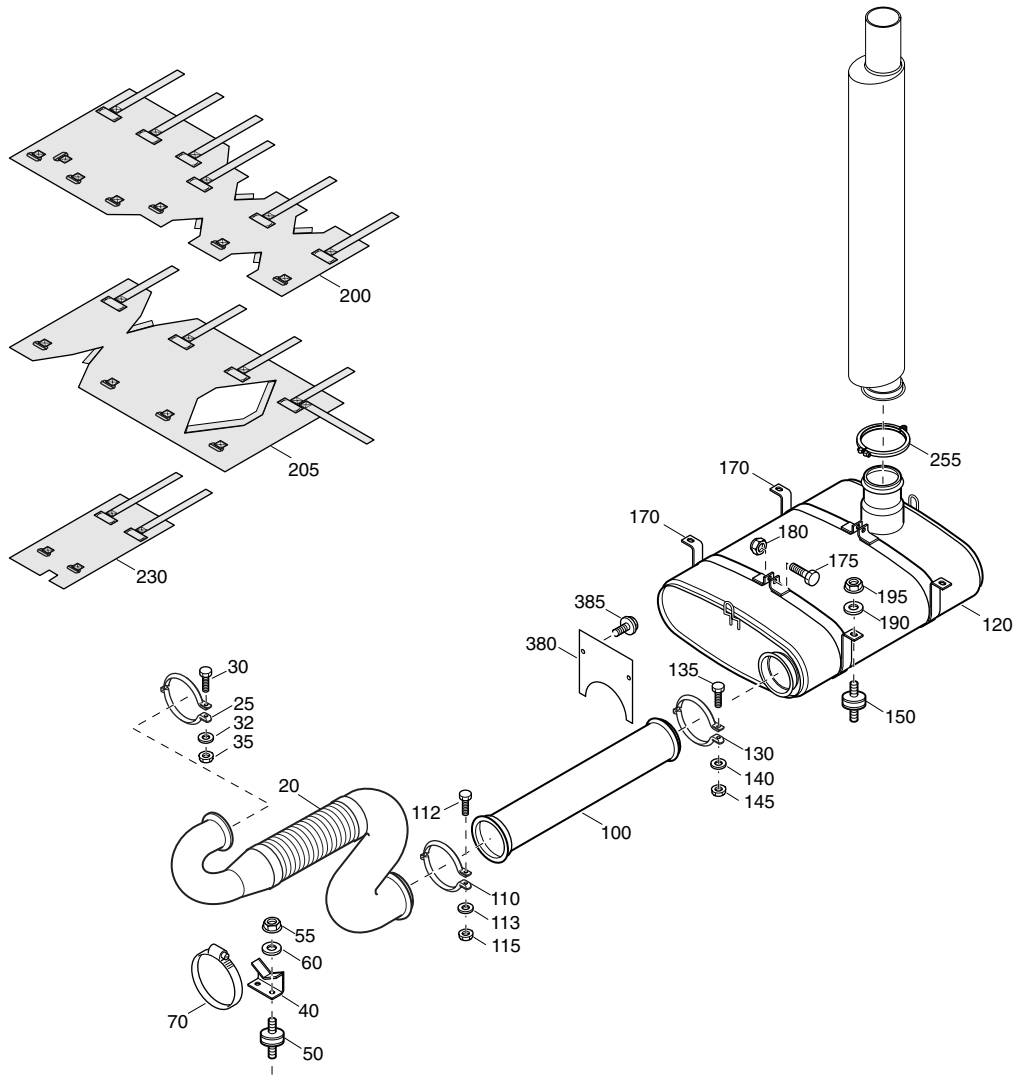
REF	PART NUMBER	DESIGNATION	QTY
20	2252 5477 00	WASHER	1
25	2252 5478 00	BUSHING	1
30	1619 5177 00	SEALING RING	2
35	2252 5479 00	RETAINER	1
40	0663 7154 00	O-RING	1
45	0147 1365 03	HEX. HEAD SCREW	4
50	2254 7604 00	RING	1
55	1615 8447 00	OIL NOZZLE	2
60	0663 3117 00	O-RING	2
65	0147 1244 03	HEX. HEAD SCREW	2
70	2252 5492 00	DRAIN PIPE	1
75	0147 1244 03	HEX. HEAD SCREW	1
80	2252 5487 00	COVER	1
85	1202 7011 00	GASKET	1
90	0147 1364 03	HEX. HEAD SCREW	4
95	2252 8450 00	CONNECTION	1
100	0663 7139 00	O-RING	2
105	2252 8449 00	HOUSING HP	1
106	0686 9108 00	PROTECTING PLUG	1
107	0686 9130 00	PROTECTING PLUG	1
110	0663 3153 00	O-RING	1
115	0147 1403 03	HEX. HEAD SCREW	4
120	2252 9814 00	CONN. TUBE	1
125	0663 3120 00	O-RING	1
130	0663 7142 00	O-RING	1
135	0147 1362 03	HEX. HEAD SCREW	4
140	2252 8934 09	NOZZLE	1
145	0663 3131 00	O-RING	2
150	0147 1364 03	HEX. HEAD SCREW	2
155	2252 5502 92	UNLOADER ASSY	1
		(For details see page 24)	
160	1202 7004 00	GASKET	1
165	0147 1363 03	HEX. HEAD SCREW	4
170	0301 2344 00	PLAIN WASHER	4
175	2252 8455 03	HOUSING	1
176	0686 9130 00	PROTECTING PLUG	1
177	0653 1062 00	FLAT GASKET	1
178	0686 3716 01	HEXAGON PLUG	1
180	0686 3716 02	HEXAGON PLUG	1
185	0661 1033 00	SEALING WASHER	1
190	2253 9671 01	VALVE	2
196	1604 5831 00	SPRING	2
197	0686 3716 30	HEXAGON PLUG	1
198	0653 1100 00	FLAT GASKET	1
200	1616 6093 00	VALVE SEAT	1
205	0663 2106 15	O-RING	4
207	0663 2107 09	O-RING	2
208	0663 2106 67	O-RING	1
210	0211 1244 00	HEX SOCK. SCREW	1
215	0147 1381 03	HEX. HEAD SCREW	6
220	2255 2809 80	OIL STOP VALVE	1
		(For details see page 25)	
225	0663 3120 00	O-RING	1
230	0663 7142 00	O-RING	1
235	0147 1375 03	HEX. HEAD SCREW	4
240	0686 6132 00	PLUG	1
245	0686 6130 00	PLUG	1
250	0686 3716 01	HEXAGON PLUG	1
255	0653 1062 00	FLAT GASKET	1



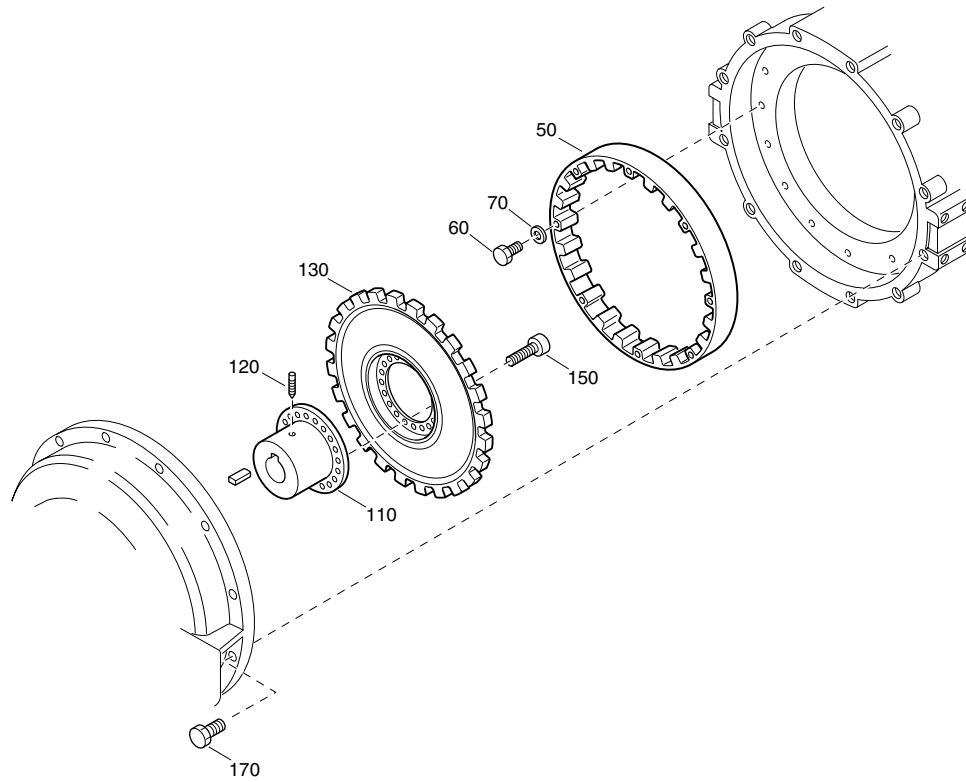
REF	PART NUMBER	DESIGNATION	QTY
-	2252 5502 92	UNLOADER ASSY	1
•20	0147 1327 03	HEX. HEAD SCREW	6
•25	0301 2335 00	PLAIN WASHER	6
•30	-	UNLOADER HOUS. (Not available separately)	1
•35	2252 5503 02	VALVE	1
•40	-	SEALRING (Part of service kit, see page 6)	1
•55	2252 5508 00	VALVE	1
•60	0686 2606 00	CORE PLUG	1
•65	1613 2913 00	PLUG	1
•70	-	CONNECTION (Not available separately)	1
•90	-	GASKET (Part of service kit, see page 6)	1



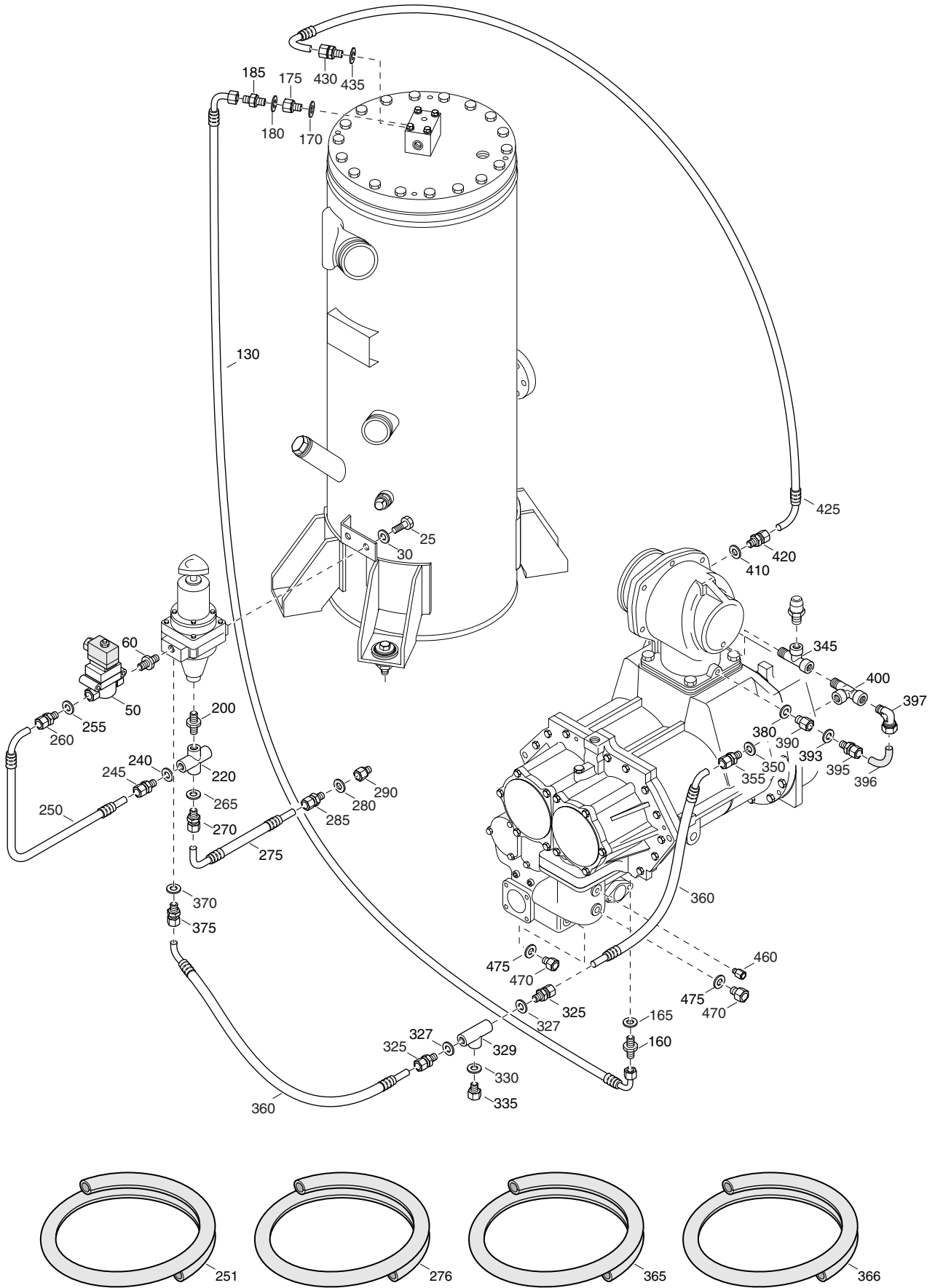
REF	PART NUMBER	DESIGNATION	QTY
-	2255 2809 80	OIL STOP VALVE	1
•20	-	VALVE HOUSING (Not available separately)	1
•25	2255 2751 00	VALVE	1
•30	2255 2813 00	PISTON	1
•35	2253 3565 00	REDUCER	1
•45	-	SEALING WASHER (Part of service kit, see page 12)	1
•50	-	COMPR.SPRING (Part of service kit, see page 12)	1
•55	2252 6269 00	SPRING GUIDE	1
•60	0335 2145 00	CIRCLIP	1
•65	0686 3716 02	HEXAGON PLUG	1
•70	-	SEALING WASHER (Part of service kit, see page 12)	1
•75	0686 3115 20	PLUG	1



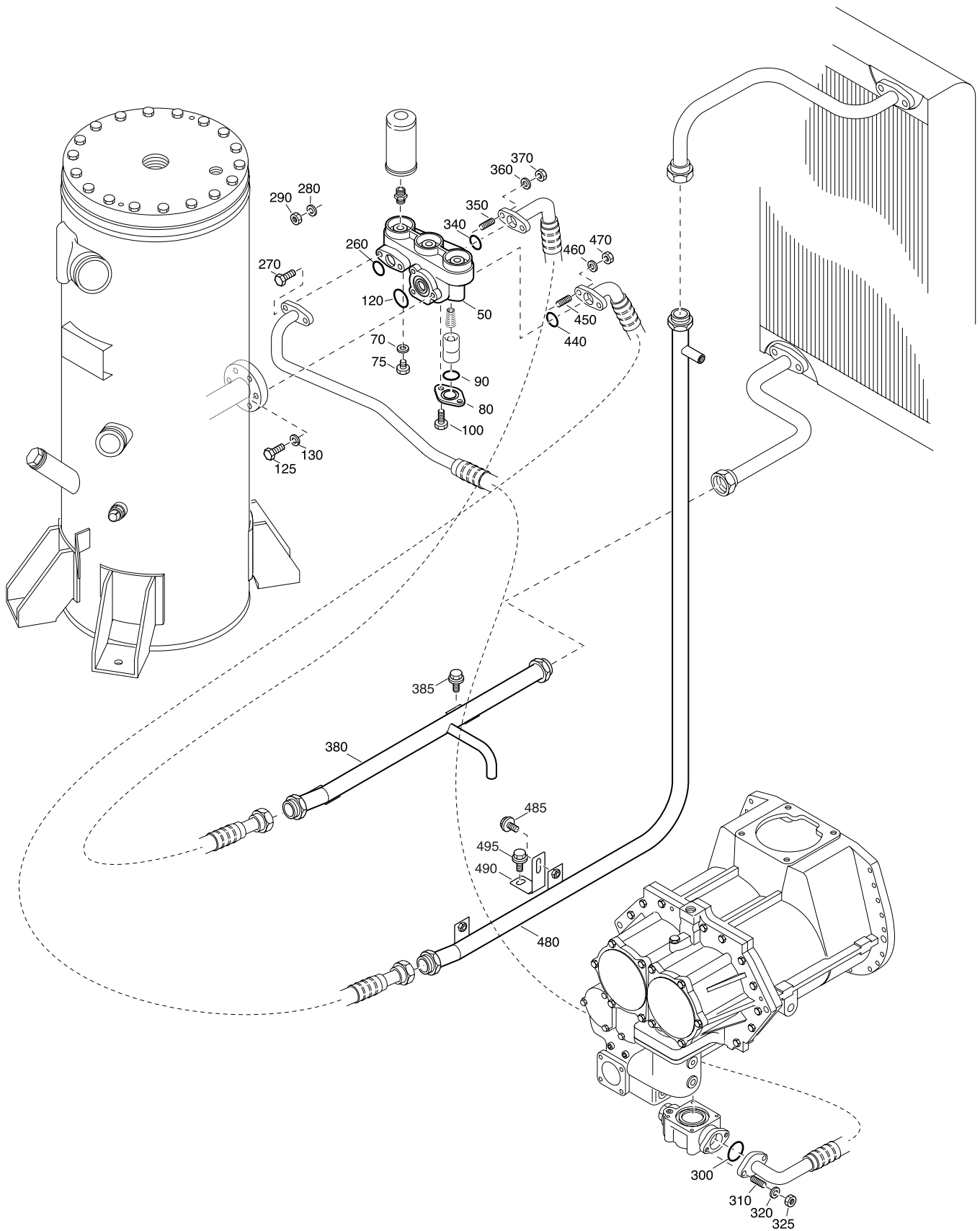
REF	PART NUMBER	DESIGNATION	QTY	REF	PART NUMBER	DESIGNATION	QTY
20	1604 2546 02	EXHAUST PIPE	1	150	1604 0134 00	BUFFER	4
25	1604 2759 00	CLAMP	1	170	1604 2549 02	CLAMP	2
30	0147 1963 95	HEX. HEAD SCREW	1	175	0147 1330 12	HEX. HEAD SCREW	2
32	0301 2335 00	PLAIN WASHER	1	180	0291 1185 04	LOCKNUT	2
35	0291 1185 04	LOCKNUT	1	190	0300 8019 00	PLAIN WASHER	4
40	1604 2654 01	SUPPORT	1	195	0291 1185 04	LOCKNUT	4
50	1604 0134 00	BUFFER	2	200	1604 2810 01	INSULATION	1
55	0291 1110 00	LOCKNUT	2	205	1604 2485 01	INSULATION	1
60	0301 2335 00	PLAIN WASHER	2	230	1604 2778 01	INSULATION	1
70	0347 6100 15	HOSE CLAMP	1	255	1615 9038 00	V-CLAMP	1
100	1604 2482 01	EXHAUST PIPE	1	380	1604 2489 00	PLATE	1
110	1604 2548 00	CLAMP	1	385	1615 5664 00	HEX. HEAD SCREW	2
112	0147 1963 95	HEX. HEAD SCREW	1				
113	0301 2335 00	PLAIN WASHER	1				
115	0291 1185 04	LOCKNUT	1				
120	1604 2484 02	SILENCER	1				
130	1604 2548 00	CLAMP	1				
135	0147 1963 95	HEX. HEAD SCREW	1				
140	0301 2335 00	PLAIN WASHER	1				
145	0291 1185 04	LOCKNUT	1				



REF	PART NUMBER	DESIGNATION	QTY
50	1604 2576 00	COUPLING RING	1
60	0147 1377 03	HEX. HEAD SCREW	12
70	0301 2344 00	PLAIN WASHER	12
110	1604 2577 00	COUPLING HUB	1
120	0196 1398 00	SET SCREW	1
130	1615 6229 00	COUPLING ELEMENT	1
150	0211 1401 00	HEX SOCK. SCREW	16
170	0147 1365 03	HEX. HEAD SCREW	12

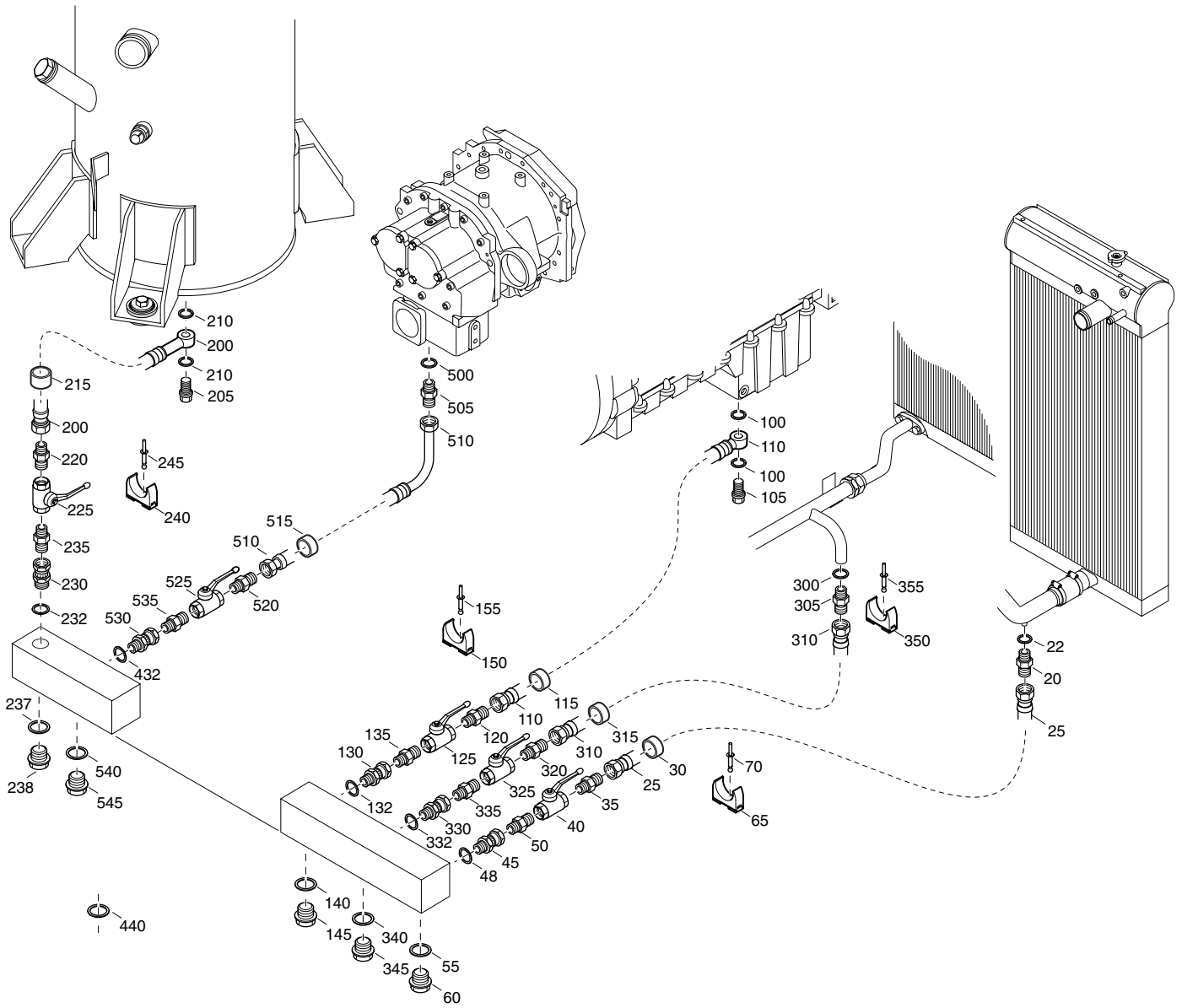


REF	PART NUMBER	DESIGNATION	QTY
25	0147 1360 03	HEX. HEAD SCREW	2
30	0301 2344 00	PLAIN WASHER	2
50	1089 0351 61	SOLENOID VALVE	1
60	0603 5105 03	HEXAGON NIPPLE	1
130	0575 0791 57	HOSE ASSEMBLY	1
160	1079 5840 01	HEXAGON NIPPLE	1
165	0653 1046 00	FLAT GASKET	1
170	0653 1062 00	FLAT GASKET	1
175	1615 9643 00	REDUCER FOR SCAVENGE PIPE	1
180	0653 1062 00	FLAT GASKET	1
185	1619 5205 00	NIPPLE	1
200	0603 4102 03	HEXAGON NIPPLE	1
220	0560 4401 06	CROSS	1
240	0653 1062 00	FLAT GASKET	1
245	0581 0028 01	STRAIGHT PIPE COUPLING	1
250	0575 0102 04	HOSE ASSEMBLY	1
251	0395 1010 43	INSULATING HOSE	1
255	0653 1124 00	FLAT GASKET	1
260	0581 0034 00	STRAIGHT PIPE COUPLING	1
265	0653 1062 00	FLAT GASKET	1
270	0581 0028 01	STRAIGHT PIPE COUPLING	1
275	0575 0102 11	HOSE ASSEMBLY	1
276	0395 1010 47	INSULATING HOSE H15-A	1
280	0653 1062 00	FLAT GASKET	1
285	0581 0028 01	STRAIGHT PIPE COUPLING	1
290	1615 9643 00	REDUCER FOR SCAVENGE PIPE	1
325	0581 0028 01	STRAIGHT PIPE COUPLING	2
327	0653 1062 00	FLAT GASKET	2
329	0564 0000 24	TEE	1
330	0653 1062 00	FLAT GASKET	1
335	1615 9643 00	REDUCER FOR SCAVENGE PIPE	1
345	1503 2566 11	TEE	1
350	0653 1062 00	FLAT GASKET	1
355	0581 0028 01	STRAIGHT PIPE COUPLING	1
360	0575 0112 35	HOSE ASSEMBLY	2
365	0395 1010 39	INSULATING HOSE	1
366	0395 1010 39	INSULATING HOSE	1
370	0653 1062 00	FLAT GASKET	1
375	0581 0028 01	STRAIGHT PIPE COUPLING	1
380	0653 1046 00	FLAT GASKET	1
390	1604 5758 00	ADAPTER	1
393	0653 1062 00	FLAT GASKET	1
395	0581 0000 67	STRAIGHT PIPE COUPLING	1
396	0070 6002 10	PLASTIC TUBE	AR
397	0581 1200 30	ELBOW PIPE COUPLING	1
400	1503 2566 11	TEE	1
410	0653 1124 00	FLAT GASKET	1
420	1079 5840 35	NIPPLE	1
425	0575 0403 55	HOSE ASSEMBLY	1
430	1079 5840 02	HEXAGON NIPPLE	1
435	0653 1124 00	FLAT GASKET	1
460	1604 2739 00	NIPPLE	1
470	3176 2446 00	BUSHING	2
475	0653 1100 00	FLAT GASKET	2



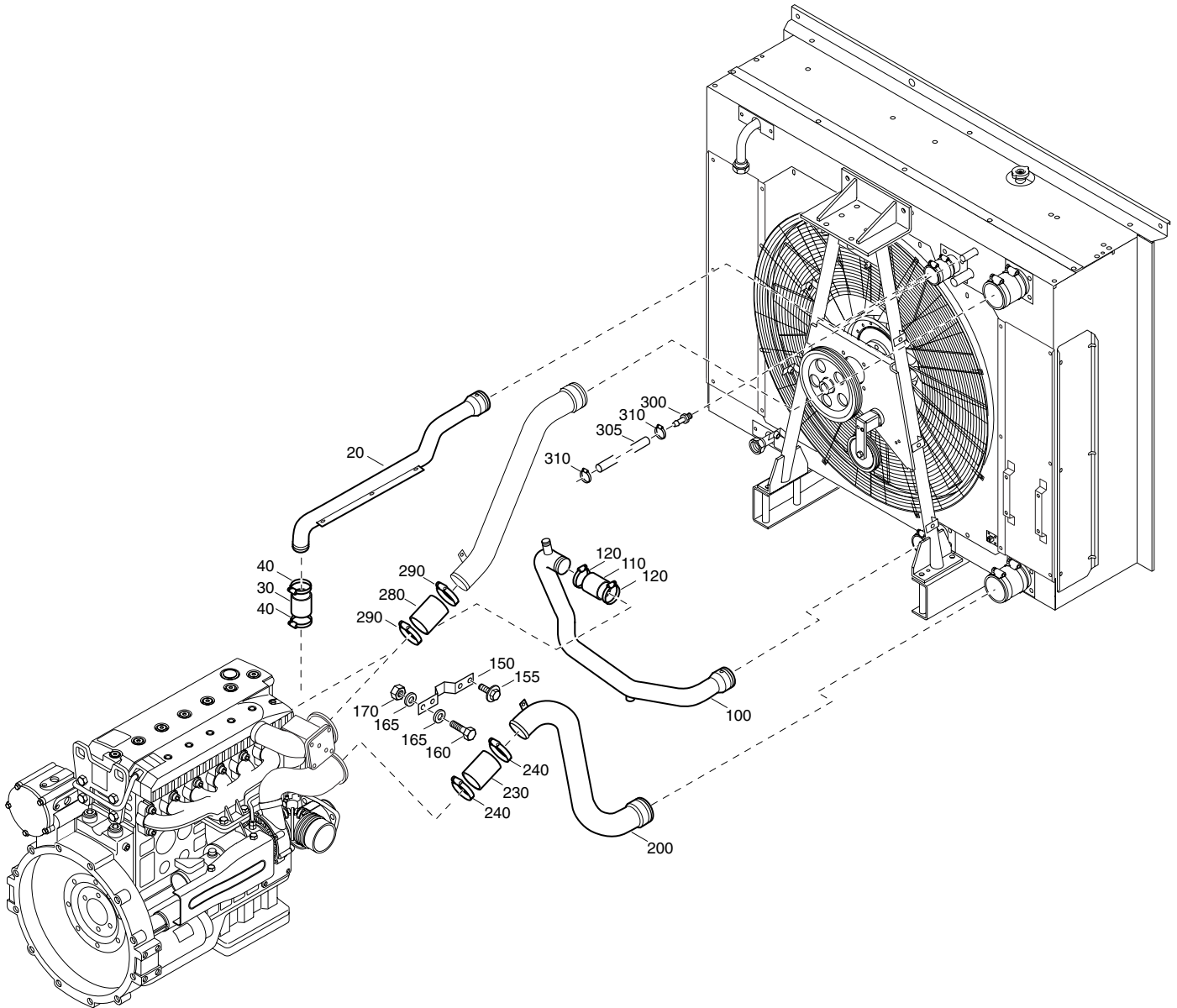
---

<b>REF</b>	<b>PART NUMBER</b>	<b>DESIGNATION</b>	<b>QTY</b>
50	1615 6398 00	HOUSING	1
70	0653 1062 00	FLAT GASKET	2
75	0686 3716 01	HEXAGON PLUG	2
80	1615 6399 00	FLANGE	1
90	0663 7134 00	O-RING	1
100	0147 1363 03	HEX. HEAD SCREW	2
120	0663 9868 00	O-RING	1
125	0147 1364 03	HEX. HEAD SCREW	3
130	0333 3232 00	LOCK WASHER	3
260	0663 3131 00	O-RING	1
270	0147 1363 03	HEX. HEAD SCREW	2
280	0333 3232 00	LOCK WASHER	2
290	0266 2111 00	HEXAGON NUT	2
300	0663 7135 00	O-RING	1
310	0246 1283 04	STUD	2
320	0333 3237 00	LOCK WASHER	2
325	0266 2112 00	HEXAGON NUT	2
340	0663 3131 00	O-RING	1
350	0246 1956 42	STUD	2
360	0333 3232 00	LOCK WASHER	2
370	0266 2111 00	HEXAGON NUT	2
380	1604 2721 03	PIPE	1
385	1615 5664 00	SCRAPER BOLT	2
440	0663 3131 00	O-RING	1
450	0246 1956 42	STUD	2
460	0333 3232 00	LOCK WASHER	2
470	0266 2111 00	HEXAGON NUT	2
480	1604 2714 02	PIPE	1
485	1615 5664 00	SCRAPER BOLT	2
490	1604 3638 00	SUPPORT	2
495	1615 5664 00	SCRAPER BOLT	2

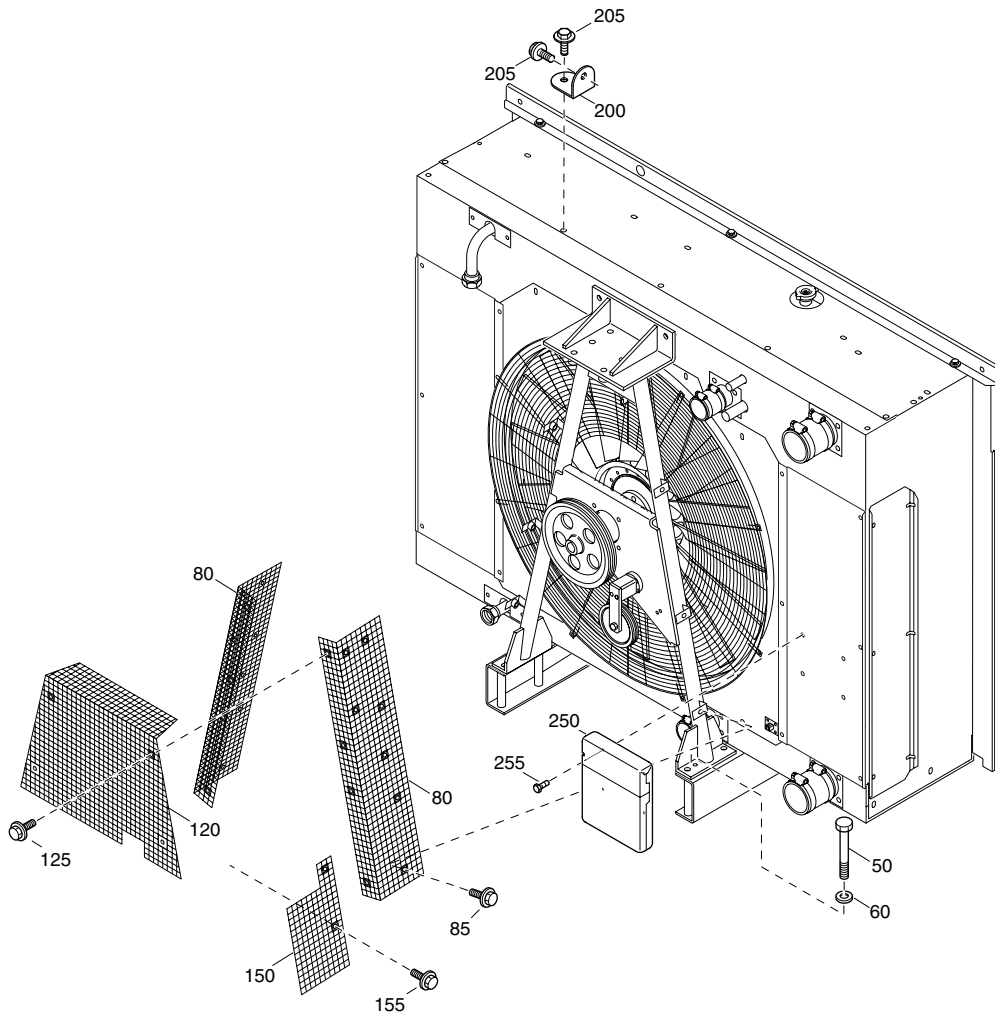


## DRAINS

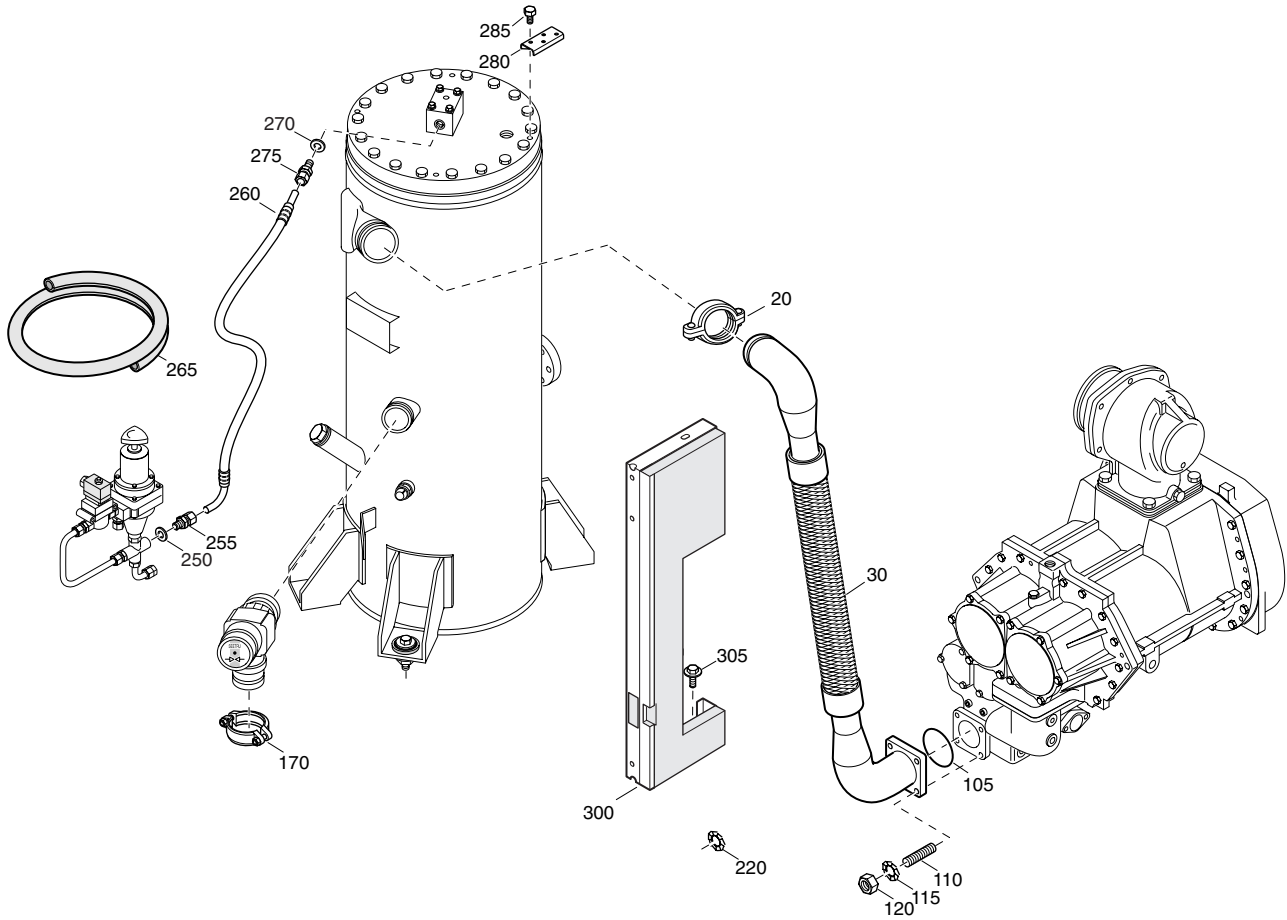
REF	PART NUMBER	DESIGNATION	QTY	REF	PART NUMBER	DESIGNATION	QTY
20	1079 5840 15	NIPPLE	1	535	0571 0035 52	HEXAGON NIPPLE	1
22	0661 1033 00	SEALING WASHER	1	540	0661 1038 00	SEALING WASHER	1
25	0575 0056 58	HOSE ASSEMBLY	1	545	0686 3716 35	HEXAGON PLUG	1
30	1088 1501 11	SHRINKING HOSE	AR				
35	0571 0035 36	HEXAGON NIPPLE	1				
40	1619 6153 05	BALL VALVE	1				
45	1604 3383 00	HEXAGON NIPPLE	1				
48	0661 1038 00	SEALING WASHER	1				
50	0571 0035 52	HEXAGON NIPPLE	1				
55	0661 1038 00	SEALING WASHER	1				
60	0686 3716 35	HEXAGON PLUG	1				
65	1088 0832 04	CABLE CLAMP	4				
70	0129 3110 00	BLIND RIVET	4				
100	0661 1038 00	SEALING WASHER	2				
105	0627 4200 07	PRESSURE SCREW	1				
110	0574 9071 08	HOSE ASSEMBLY	1				
115	1088 1501 04	SHRINKING HOSE	AR				
120	0571 0035 36	HEXAGON NIPPLE	1				
125	1619 6153 05	BALL VALVE	1				
130	1604 3383 00	HEXAGON NIPPLE	1				
132	0661 1038 00	SEALING WASHER	1				
135	0571 0035 52	HEXAGON NIPPLE	1				
140	0661 1038 00	SEALING WASHER	1				
145	0686 3716 35	HEXAGON PLUG	1				
150	1088 0832 04	CABLE CLAMP	3				
155	0129 3110 00	BLIND RIVET	3				
200	1604 3725 01	HOSE ASSEMBLY	1				
205	0627 5100 05	PRESSURE SCREW	1				
210	0653 1128 00	FLAT GASKET	2				
215	1088 1501 10	SHRINKING HOSE	AR				
220	0571 0035 36	HEXAGON NIPPLE	1				
225	1619 6153 05	BALL VALVE	1				
230	1604 3383 00	HEXAGON NIPPLE	1				
232	0661 1038 00	SEALING WASHER	1				
235	0571 0035 52	HEXAGON NIPPLE	1				
237	0661 1038 00	SEALING WASHER	1				
238	0686 3716 35	HEXAGON PLUG	1				
240	1088 0832 04	CABLE CLAMP	2				
245	0129 3110 00	BLIND RIVET	2				
300	0653 1124 00	FLAT GASKET	1				
305	1079 5840 15	NIPPLE	1				
310	0575 0056 58	HOSE ASSEMBLY	1				
315	1088 1501 10	SHRINKING HOSE	AR				
320	0571 0035 36	HEXAGON NIPPLE	1				
325	1619 6153 05	BALL VALVE	1				
330	1604 3383 00	HEXAGON NIPPLE	1				
332	0661 1038 00	SEALING WASHER	1				
335	0571 0035 52	HEXAGON NIPPLE	1				
340	0661 1038 00	SEALING WASHER	1				
345	0686 3716 35	HEXAGON PLUG	1				
350	1088 0832 04	CABLE CLAMP	4				
355	0129 3110 00	BLIND RIVET	4				
432	0661 1038 00	SEALING WASHER	1				
440	0653 1165 00	FLAT GASKET	2				
500	0653 1124 00	FLAT GASKET	1				
505	1079 5840 15	NIPPLE	1				
510	1604 3583 02	HOSE ASSEMBLY	1				
515	1088 1501 10	SHRINKING HOSE	AR				
520	0571 0035 36	HEXAGON NIPPLE	1				
525	1619 6153 05	BALL VALVE	1				
530	1604 3383 00	HEXAGON NIPPLE	1				



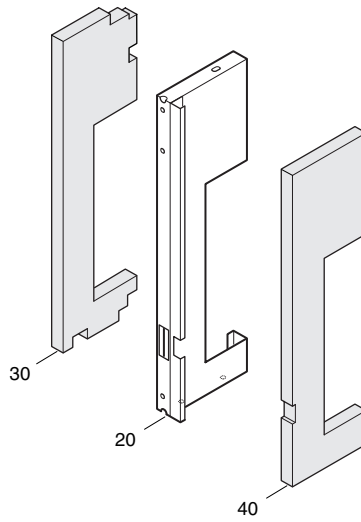
REF	PART NUMBER	DESIGNATION	QTY
10	1611 8717 67	PIPE SET	1
20	1604 2704 02	PIPE	1
30	1604 1280 01	HOSE	1
40	0347 6100 19	HOSE CLAMP	2
100	1604 2634 01	PIPE	1
110	1604 1280 01	HOSE	1
120	0347 6100 19	HOSE CLAMP	2
150	1604 2694 00	BRACKET	2
155	1615 5664 00	SCRAPER BOLT	2
160	0147 1363 03	HEX. HEAD SCREW	1
165	0301 2344 00	PLAIN WASHER	3
170	0266 2111 00	HEXAGON NUT	2
200	1604 2633 02	PIPE	1
230	1604 1356 00	HOSE	1
240	0347 6100 23	HOSE CLAMP	2
280	1604 1386 01	HOSE	1
290	0347 6100 23	HOSE CLAMP	2
300	0571 0020 34	HOSE NIPPLE	1
305	0071 8402 68	FUEL HOSE	AR
310	0347 6103 00	HOSE CLAMP	2



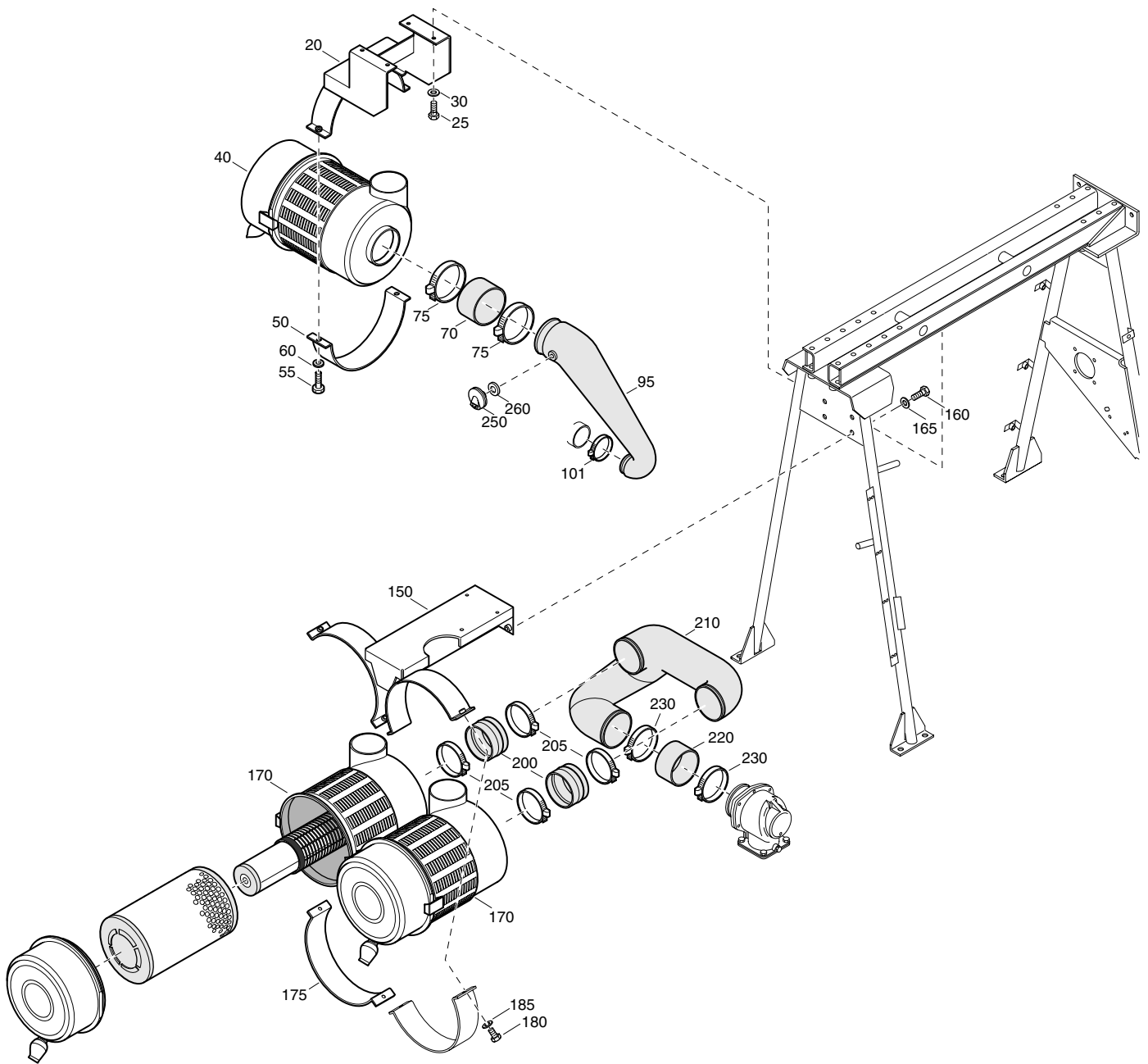
REF	PART NUMBER	DESIGNATION	QTY
50	0147 1499 03	HEX. HEAD SCREW	6
60	0301 2378 00	PLAIN WASHER	6
80	1604 2644 01	BELT GUARD	2
85	1615 5664 00	SCRAPER BOLT	6
120	1604 2645 02	BELT GUARD	1
125	1615 5664 00	SCRAPER BOLT	4
150	1604 2580 00	BELT GUARD	1
155	1615 5664 00	SCRAPER BOLT	2
200	2252 2333 00	BRACKET	2
205	1615 5664 00	SCRAPER BOLT	4
250	1604 2206 00	HOLDER (DOCUMENT)	1
255	1619 5898 01	BOLT	4



REF	PART NUMBER	DESIGNATION	QTY
20	0634 1000 65	PIPE COUPLING	1
30	1604 2516 01	HOSE ASSEMBLY	1
105	0663 7144 00	O-RING	1
110	0246 1287 04	STUD	4
115	0333 5200 09	LOCK WASHER	4
120	0266 2112 00	HEXAGON NUT	4
170	0634 1000 59	PIPE COUPLING	1
220	0333 3232 00	LOCK WASHER	4
250	0653 1062 00	FLAT GASKET	1
255	0581 0028 01	STRAIGHT PIPE COUPLING	1
260	0575 0102 48	HOSE ASSEMBLY	1
265	0395 1010 45	INSULATING HOSE H15-A	1
270	0653 1062 00	FLAT GASKET	1
275	0581 0028 01	STRAIGHT PIPE COUPLING	1
280	1604 3381 00	SUPPORT	1
285	0147 1362 03	HEX. HEAD SCREW	1
300	1604 2550 82	PANEL ASSY	1
		(For details see page 37)	
305	1615 5664 00	HEX. HEAD SCREW	5

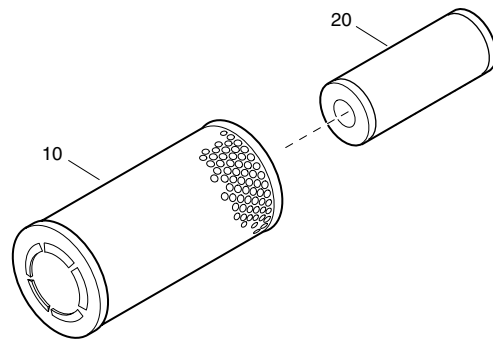


REF	PART NUMBER	DESIGNATION	QTY
-	1604 2550 82	PANEL ASSY	
•20	1604 2550 02	PANEL	1
•30	-	SILENCING FOAM	1
•40	-	SILENCING FOAM	1
-	1079 0003 32	SILENCING FOAM 2000 mm x 1500 mm x 30 mm	
-	1079 0001 91	SILENCING FOAM 2000 mm x 1500 mm x 40 mm	
-	1079 0003 33	SILENCING FOAM 2000 mm x 1500 mm x 50 mm	

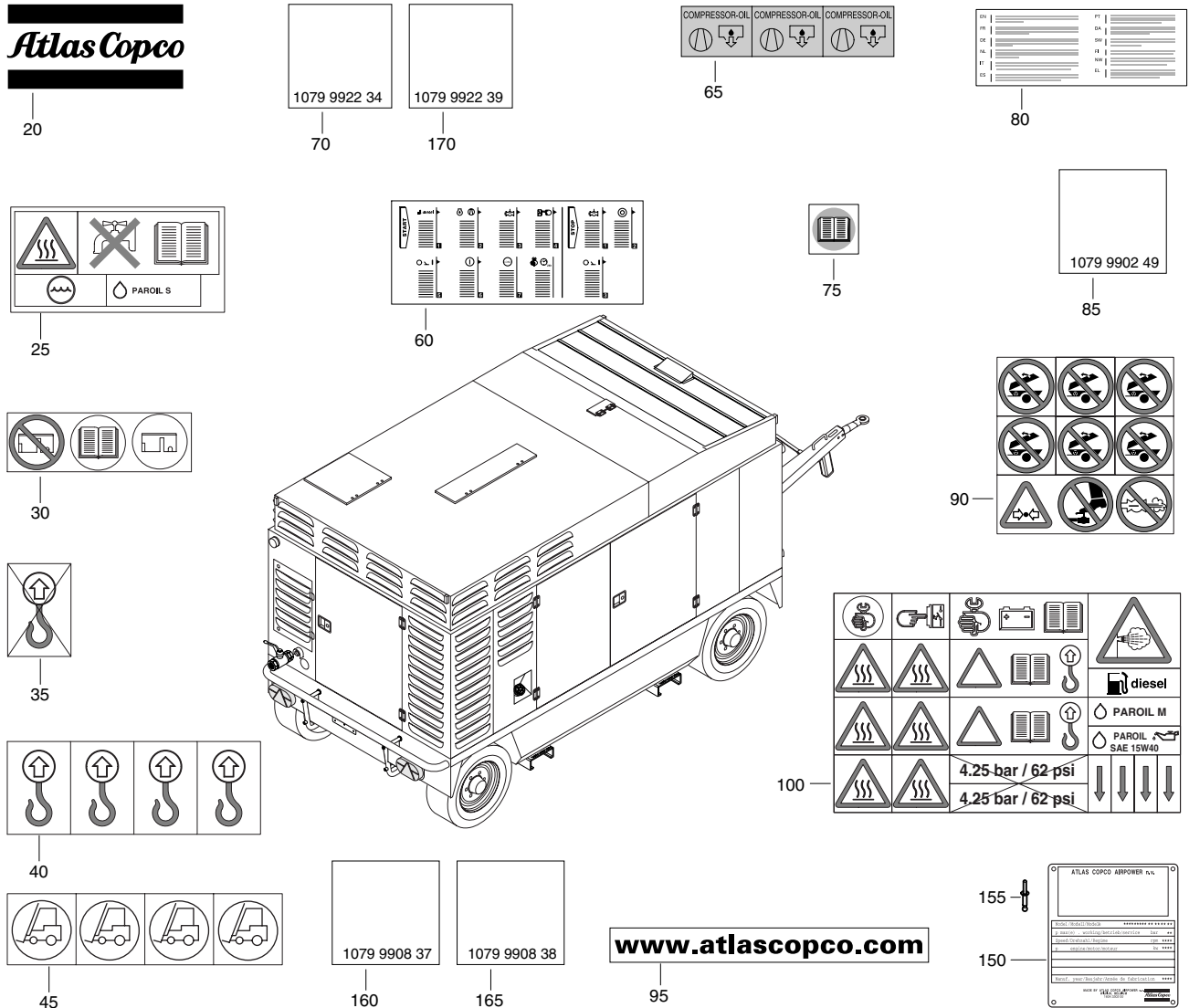


---

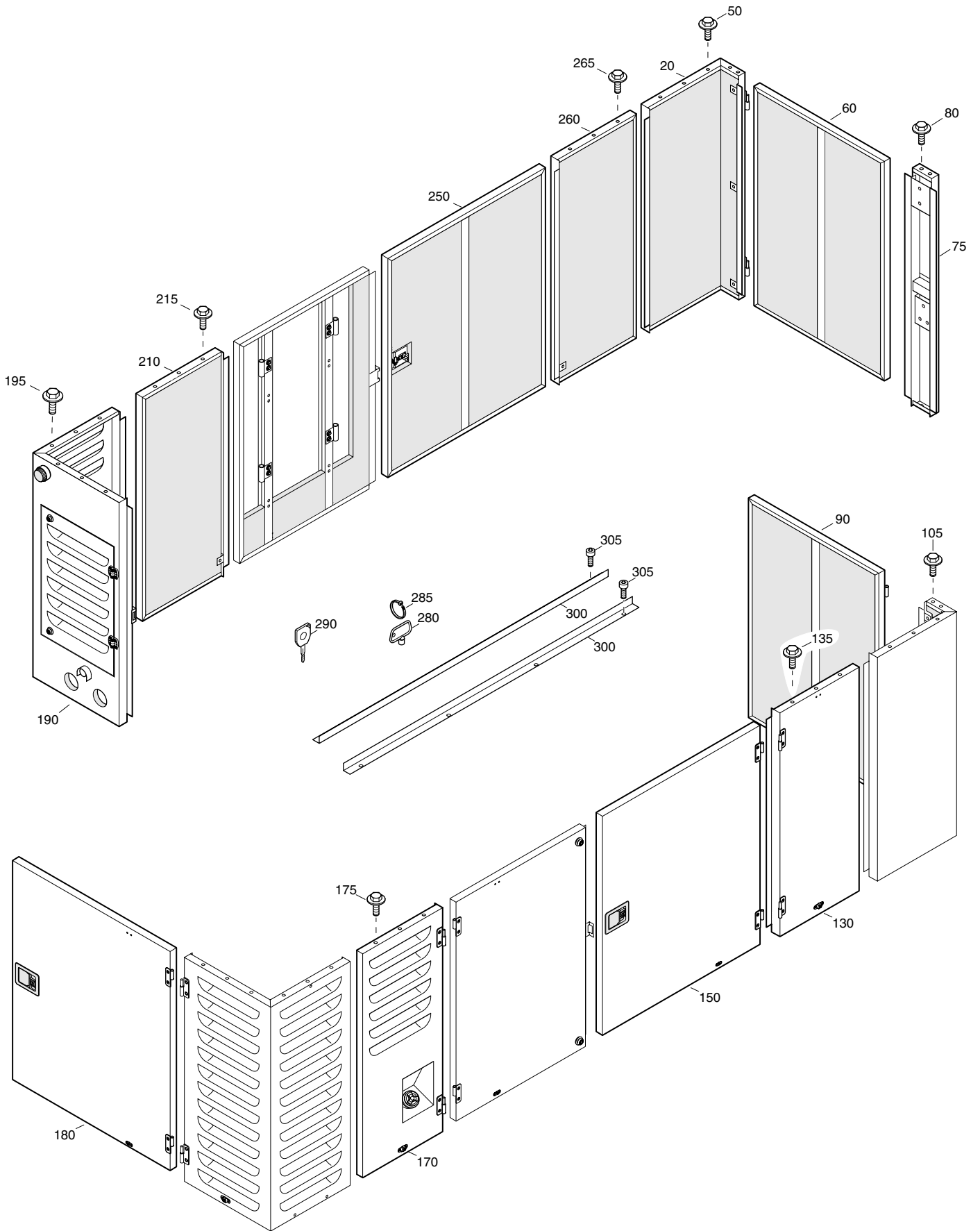
REF	PART NUMBER	DESIGNATION	QTY
20	1604 2629 00	BRACKET	1
30	0147 1326 03	HEX. HEAD SCREW	4
35	0301 2335 00	PLAIN WASHER	4
40	1604 0120 00	AIRFILTER	1
		(For details see page 40)	
50	1604 0128 00	CLAMP (AIRFILTER)	1
55	0147 1330 12	HEX. HEAD SCREW	2
60	0333 3227 00	LOCK WASHER	2
75	0347 6121 00	HOSE CLAMP	2
95	1604 2628 04	AIR DUCT	1
101	0347 6100 22	HOSE CLAMP	1
150	1604 2804 03	SUPPORT	1
160	0147 1363 03	HEX. HEAD SCREW	4
165	0333 3232 00	LOCK WASHER	4
170	1604 0120 00	AIRFILTER	2
		(For details see page 40)	
175	1604 0128 00	CLAMP (AIRFILTER)	1
180	0147 1330 12	HEX. HEAD SCREW	4
185	0333 3227 00	LOCK WASHER	4
200	2250 5266 00	HUMP HOSE	2
205	0347 6121 00	HOSE CLAMP	4
210	1604 2514 02	AIR DUCT	1
220	1615 5409 00	HOSE	1
230	0347 6122 00	HOSE CLAMP	2
250	1089 0607 05	WARNING SWITCH	1
260	0661 1014 00	SEALING WASHER	1



REF	PART NUMBER	DESIGNATION	QTY
-	1604 0120 00	AIRFILTER	
•10	2914 5017 00	AIR FILTER ELEMENT	1
•20	2914 5018 00	AIR FILTER SAFETY CARTRIDGE	1

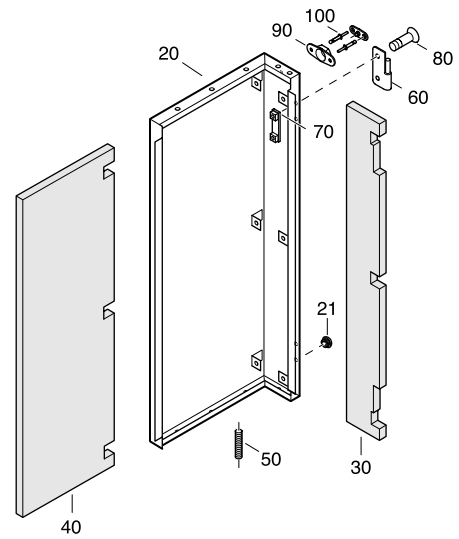
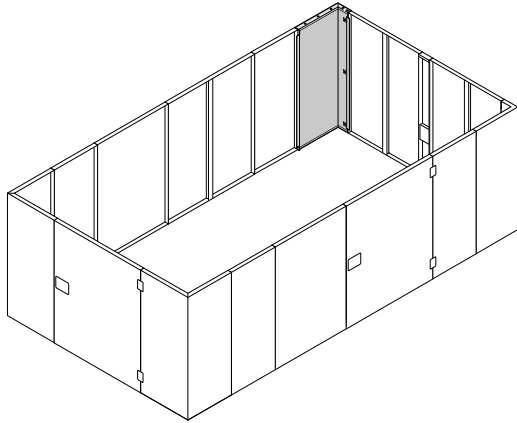


REF	PART NUMBER	DESIGNATION	QTY	REF	PART NUMBER	DESIGNATION	QTY
20	0690 1150 00	HOUSE MARK	4	170	1079 9902 39	INFORMATION LABEL	1
25	1079 9903 59	INFORMATION LABEL	1				
30	1079 9903 62	INFORMATION LABEL	2				
35	1079 9902 38	INFORMATION LABEL	2				
40	1079 9902 45	INFORMATION LABEL	1				
45	1079 9903 60	INFORMATION LABEL	1				
60	1079 9921 73	INFORMATION LABEL	1				
65	1079 9922 09	INFORMATION LABEL	1				
70	1079 9922 34	INFORMATION LABEL	2				
75	1079 9922 07	INFORMATION LABEL	1				
80	1079 9905 51	INSTRUCTION LABEL	1				
85	1079 9902 49	INFORMATION LABEL	1				
90	1079 9903 58	INFORMATION LABEL	1				
95	1079 9921 03	INFORMATION LABEL	1				
100	1079 9910 02	INFORMATION LABEL	1				
150	-	DATA PLATE (Not available separately)	1				
155	0129 3104 00	BLIND RIVET	4				
160	1079 9908 37	INSTRUCTION LABEL	1				
165	1079 9908 38	INSTRUCTION LABEL	1				

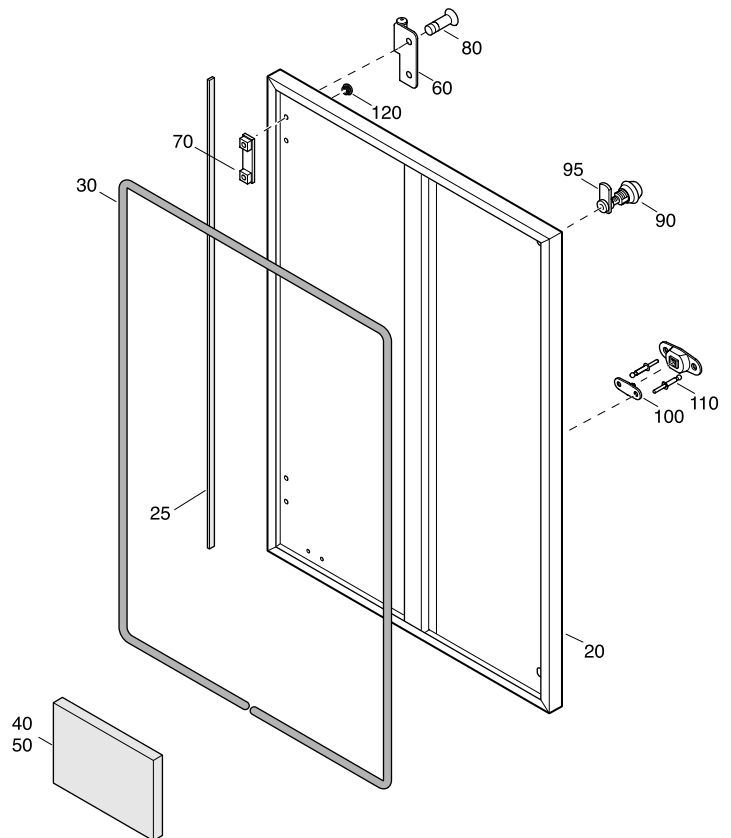
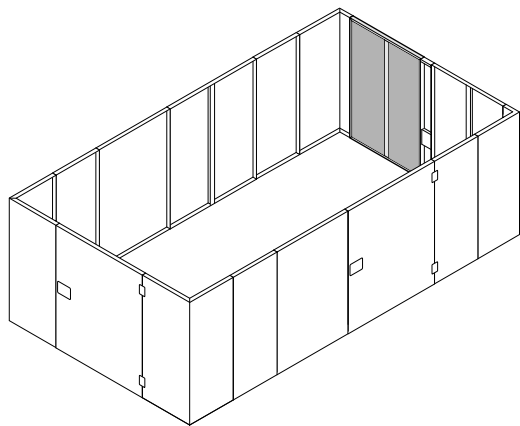


---

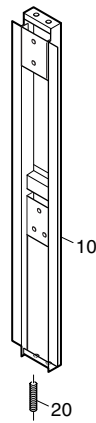
REF	PART NUMBER	DESIGNATION	QTY
20	1604 2465 82	CORNER ASSY (For details see page 44)	1
50	1615 5664 00	HEX. HEAD SCREW	3
60	1604 2487 84	DOOR ASSY (For details see page 45)	1
75	1604 3716 81	PANEL ASSY (For details see page 46)	1
80	1615 5664 00	HEX. HEAD SCREW	2
90	1604 2487 85	DOOR ASSY (For details see page 47)	1
105	1615 5664 00	HEX. HEAD SCREW	3
130	1604 2460 83	PANEL ASSY (For details see page 48)	1
135	1615 5664 00	HEX. HEAD SCREW	2
150	1604 2456 81	DOOR ASSY (For details see page 49)	1
170	1604 2481 82	PANEL ASSY (For details see page 50)	1
175	1615 5664 00	HEX. HEAD SCREW	2
180	1604 2456 81	DOOR ASSY (For details see page 49)	1
190	1604 2452 86	CORNER ASSY (For details see page 51)	1
195	1615 5664 00	HEX. HEAD SCREW	6
210	1604 2460 83	PANEL ASSY (For details see page 48)	1
215	1615 5664 00	HEX. HEAD SCREW	2
250	1604 2456 80	DOOR ASSY (For details see page 52)	1
260	1604 2460 82	PANEL ASSY (For details see page 53)	1
265	1615 5664 00	HEX. HEAD SCREW	2
280	1604 2500 00	KEY	2
285	1088 1301 03	CABLE STRIP	2
290	1615 7271 00	KEY	2
300	1604 3562 00	BRACKET	2
305	0216 1324 03	HEX SOCK. SCREW	8



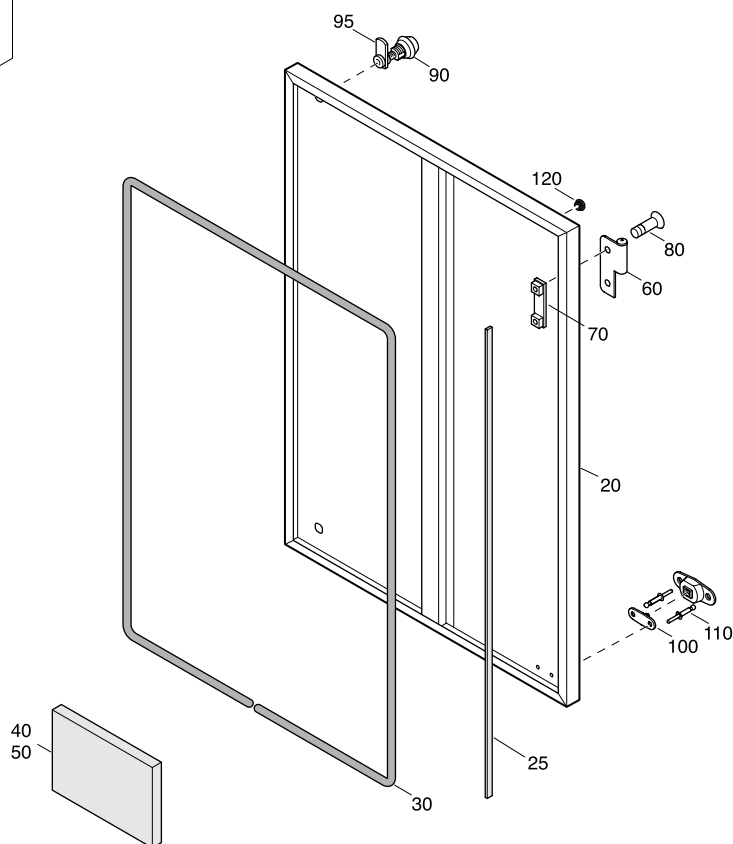
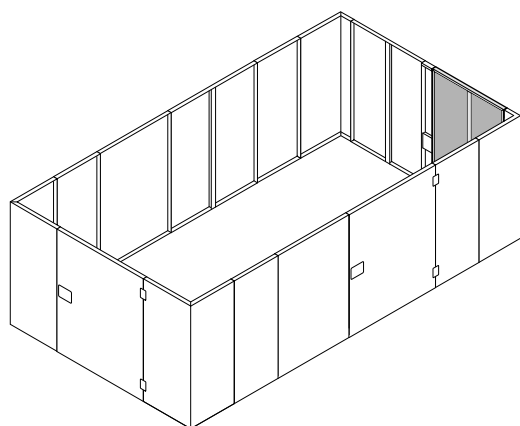
REF	PART NUMBER	DESIGNATION	QTY
-	1604 2465 82	CORNER ASSY	
•20	1604 2465 00	PANEL	1
•21	0686 9252 87	PLUG	2
•30	-	SILENCING FOAM	1
•40	-	SILENCING FOAM	1
•50	0246 1956 35	STUD	4
•60	1604 3430 00	HINGE	2
•70	1615 5684 00	BRACKET	2
•80	0216 1324 03	HEX SOCK. SCREW	4
•90	1619 1663 00	DOOR HOOK	1
•100	0129 3270 17	BLIND RIVET	2
-	1079 0003 32	SILENCING FOAM 2000 mm x 1500 mm x 30 mm	
-	1079 0001 91	SILENCING FOAM 2000 mm x 1500 mm x 40 mm	
-	1079 0003 33	SILENCING FOAM 2000 mm x 1500 mm x 50 mm	



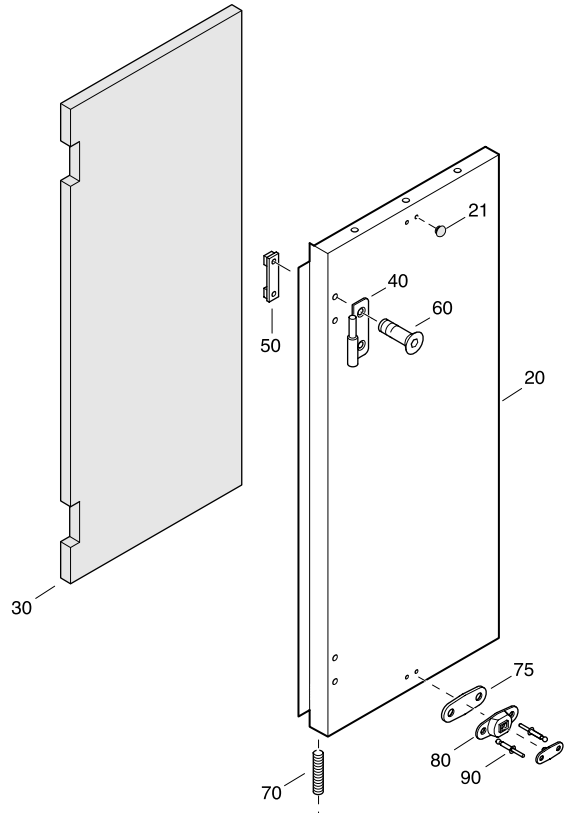
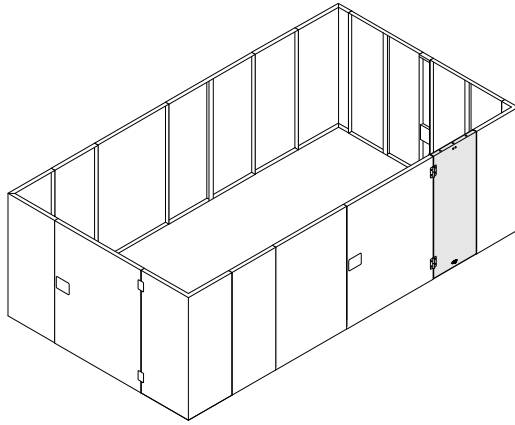
REF	PART NUMBER	DESIGNATION	QTY
-	1604 2487 84	DOOR ASSY	
•20	1604 2487 02	DOOR	1
•25	1619 6858 00	SEAL	AR
•30	1619 2665 00	SEAL	AR
•40	-	SILENCING FOAM	1
•50	-	SILENCING FOAM	1
•60	1604 3431 00	HINGE	2
•70	1615 5684 00	BRACKET	2
•80	0216 1324 03	HEX SOCK. SCREW	4
•90	1604 2519 01	LOCK	2
•95	1604 3743 00	LATCH	2
•100	1619 1663 00	DOOR HOOK	1
•110	0129 3270 17	BLIND RIVET	2
•120	0686 9252 87	PLUG	2
-	1079 0003 32	SILENCING FOAM 2000 mm x 1500 mm x 30 mm	
-	1079 0001 91	SILENCING FOAM 2000 mm x 1500 mm x 40 mm	
-	1079 0003 33	SILENCING FOAM 2000 mm x 1500 mm x 50 mm	



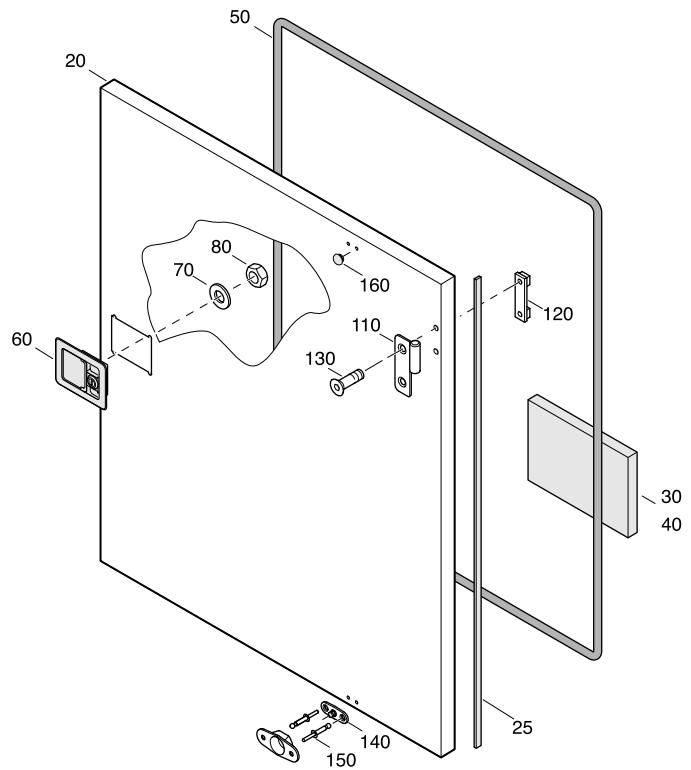
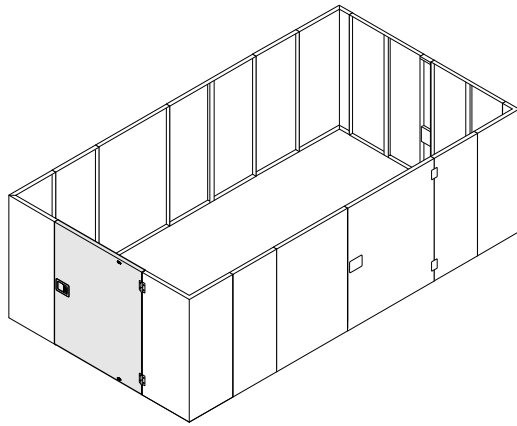
REF	PART NUMBER	DESIGNATION	QTY
-	1604 3716 81	PANEL ASSY	1
•10	1604 3716 01	PANEL	1
•20	0246 1956 35	STUD	1



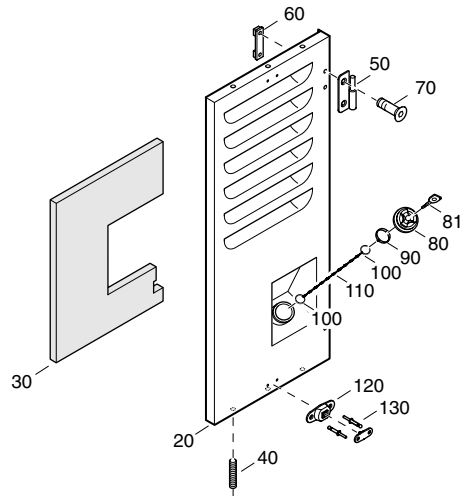
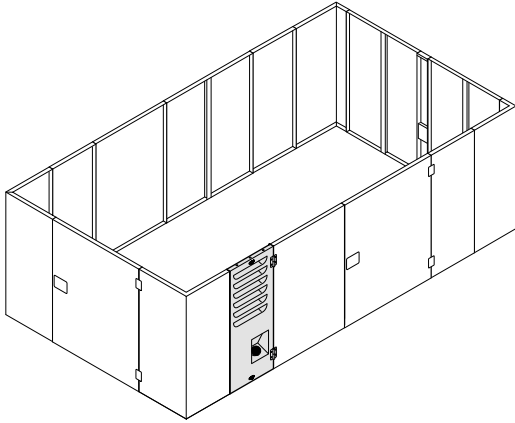
REF	PART NUMBER	DESIGNATION	QTY
-	1604 2487 85	DOOR ASSY	
•20	1604 2487 02	DOOR	1
•25	1619 6858 00	SEAL	AR
•30	1619 2665 00	SEAL	AR
•40	-	SILENCING FOAM	1
•50	-	SILENCING FOAM	1
•60	1604 3429 00	HINGE	2
•70	1615 5684 00	BRACKET	2
•80	0216 1324 03	HEX SOCK. SCREW	4
•90	1604 2519 01	LOCK	2
•95	1604 3743 00	LATCH	2
•100	1619 1663 00	DOOR HOOK	1
•110	0129 3270 17	BLIND RIVET	2
•120	0686 9252 87	PLUG	2
-	1079 0003 32	SILENCING FOAM 2000 mm x 1500 mm x 30 mm	
-	1079 0001 91	SILENCING FOAM 2000 mm x 1500 mm x 40 mm	
-	1079 0003 33	SILENCING FOAM 2000 mm x 1500 mm x 50 mm	



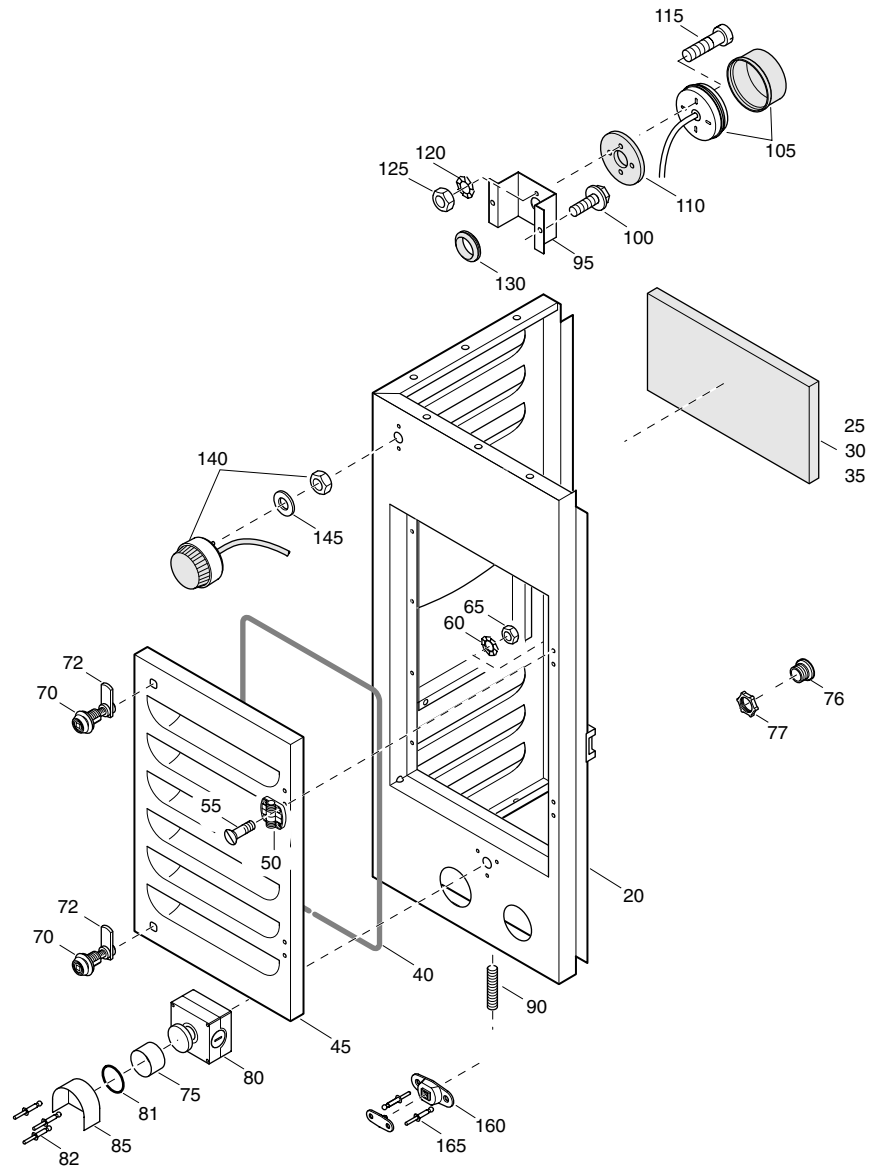
REF	PART NUMBER	DESIGNATION	QTY
-	1604 2460 83	PANEL ASSY	
•20	1604 2460 01	PANEL	1
•21	0686 9252 87	PLUG	2
•30	-	SILENCING FOAM	1
•40	1604 3430 00	HINGE	2
•50	1615 5684 00	BRACKET	2
•60	0216 1324 03	HEX SOCK. SCREW	4
•70	0246 1956 35	STUD	2
•75	1604 4390 00	SPACER	1
•80	1619 1663 00	DOOR HOOK	1
•90	0129 3117 00	BLIND RIVET	2
-	1079 0003 32	SILENCING FOAM 2000 mm x 1500 mm x 30 mm	
-	1079 0001 91	SILENCING FOAM 2000 mm x 1500 mm x 40 mm	
-	1079 0003 33	SILENCING FOAM 2000 mm x 1500 mm x 50 mm	



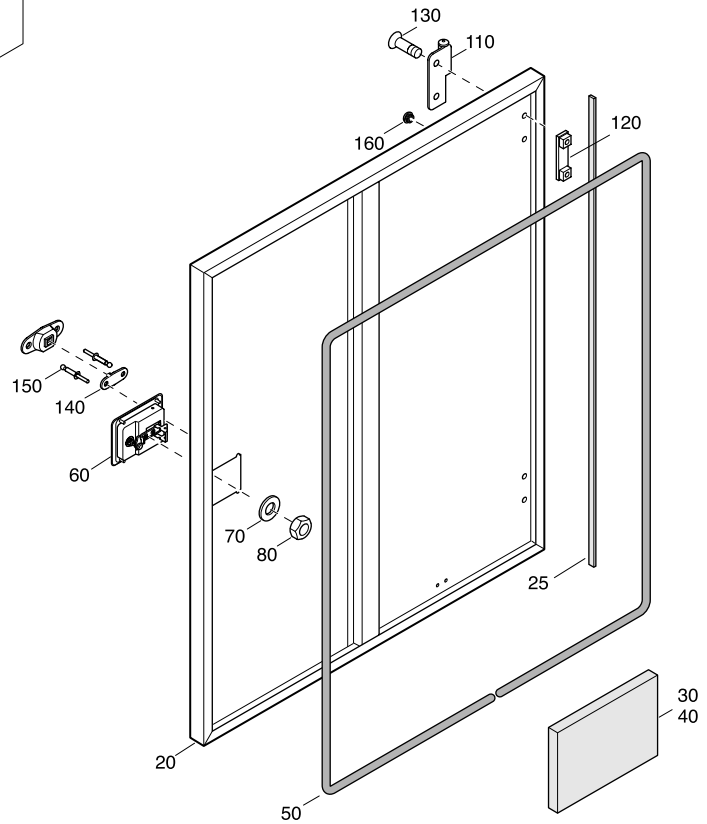
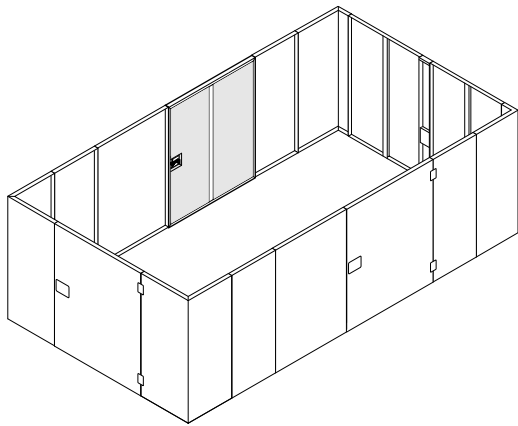
REF	PART NUMBER	DESIGNATION	QTY
-	1604 2456 81	DOOR ASSY	
•20	1604 2456 00	DOOR	1
•25	1619 6858 00	SEAL	AR
•30	-	SILENCING FOAM	1
•40	-	SILENCING FOAM	1
•50	1619 2665 00	SEAL	AR
•60	1615 6967 03	HANDLE	1
•70	0301 2321 00	PLAIN WASHER	4
•80	0291 1108 00	LOCKNUT	4
•110	1604 3431 00	HINGE	2
•120	1615 5684 00	BRACKET	2
•130	0216 1324 03	HEX SOCK. SCREW	4
•140	1619 1663 00	DOOR HOOK	1
•150	0129 3270 17	BLIND RIVET	2
•160	0686 9252 87	PLUG	2
-	1079 0003 32	SILENCING FOAM 2000 mm x 1500 mm x 30 mm	
-	1079 0001 91	SILENCING FOAM 2000 mm x 1500 mm x 40 mm	
-	1079 0003 33	SILENCING FOAM 2000 mm x 1500 mm x 50 mm	



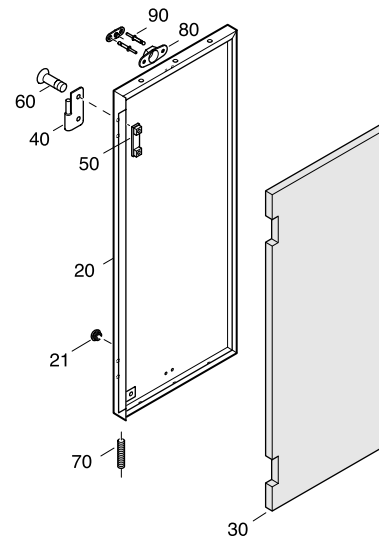
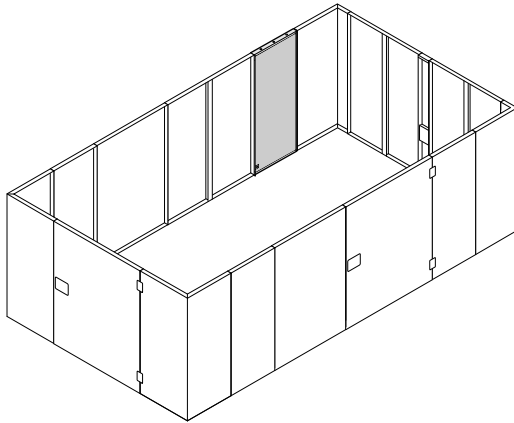
REF	PART NUMBER	DESIGNATION	QTY
-	1604 2481 82	PANEL ASSY	
•20	1604 2481 02	PANEL	1
•21	0686 9252 87	PLUG	2
•30	-	SILENCING FOAM	1
•40	0246 1956 35	STUD	2
•50	1604 3428 00	HINGE	2
•60	1615 5684 00	BRACKET	2
•70	0216 1324 03	HEX SOCK. SCREW	4
•80	1615 6947 02	COVER	1
•81	2914 9604 00	KEY	1
•90	0347 0107 00	HOSE CLAMP	1
•100	1619 7461 00	KEY HOLDER	2
•110	2255 0049 00	CHAIN	1
•120	1619 1663 00	DOOR HOOK	1
•130	0129 3270 17	BLIND RIVET	2
-	1079 0003 32	SILENCING FOAM 2000 mm x 1500 mm x 30 mm	
-	1079 0001 91	SILENCING FOAM 2000 mm x 1500 mm x 40 mm	
-	1079 0003 33	SILENCING FOAM 2000 mm x 1500 mm x 50 mm	



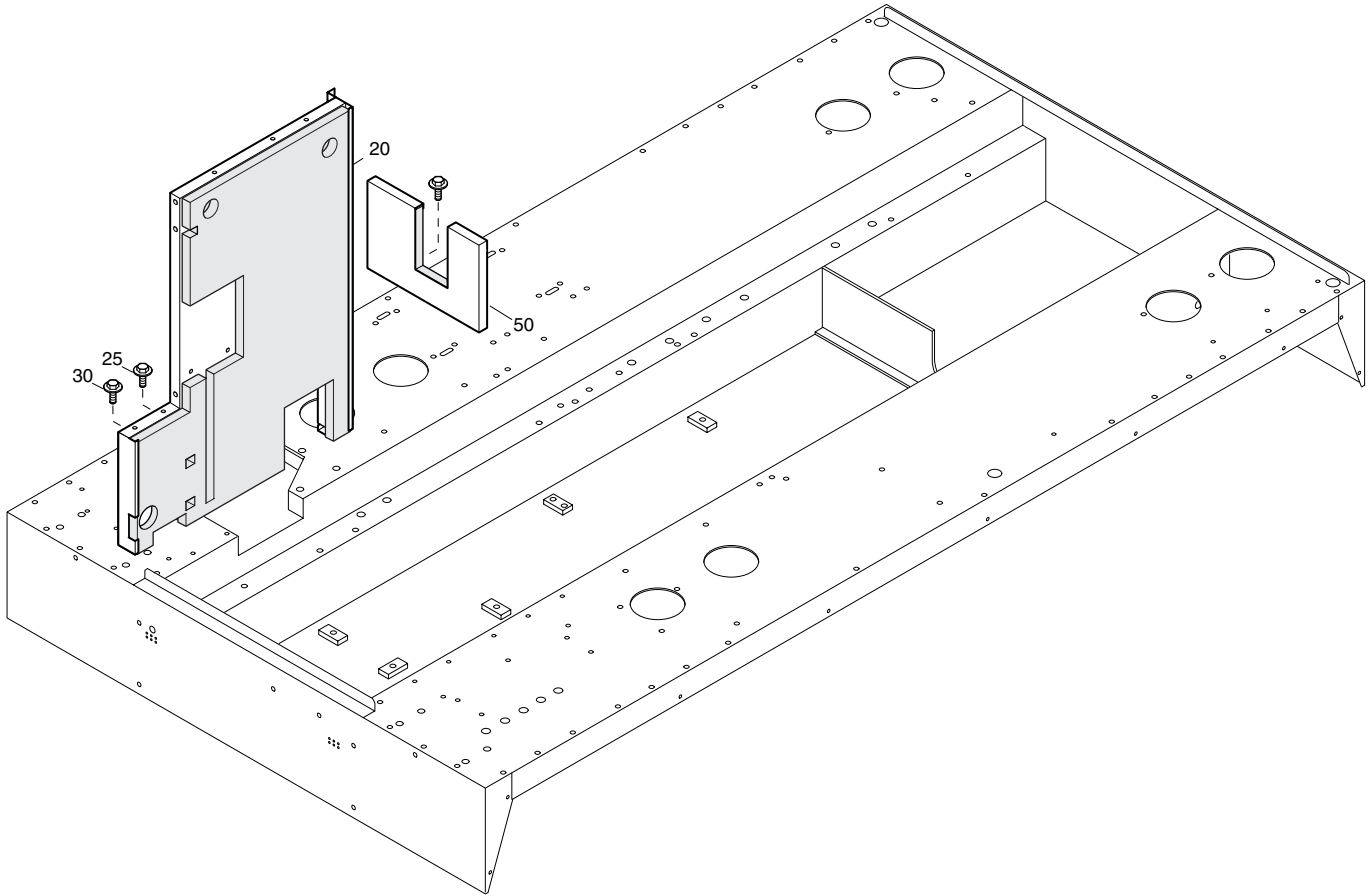
REF	PART NUMBER	DESIGNATION	QTY	REF	PART NUMBER	DESIGNATION	QTY
-	1604 2452 86	CORNER ASSY		•110	1604 0996 00	SEAL	1
•20	1604 2452 06	CORNER PANEL	1	•115	0162 4174 00	SLOTTED SCREW	2
•25	-	SILENCING FOAM	1	•120	0333 3214 00	LOCK WASHER	2
•30	-	SILENCING FOAM	2	•125	0266 2106 00	HEXAGON NUT	2
•35	-	SILENCING FOAM	1	•130	1088 0801 22	GROMMET	1
•40	1619 2665 00	SEAL	AR	•140	1089 9429 10	FLASH LIGHT	1
•45	1604 2470 02	DOOR	1	•145	0301 2321 00	PLAIN WASHER	2
•50	1604 2172 00	HINGE	2	•160	1619 1663 00	DOOR HOOK	1
•55	0160 6060 00	SLOTTED SCREW	8	•165	0129 3270 17	BLIND RIVET	2
•60	0333 3215 00	LOCK WASHER	8	-	1079 0003 32	SILENCING FOAM 2000 mm x 1500 mm x 30 mm	
•65	0266 2107 00	HEXAGON NUT	8	-	1079 0001 91	SILENCING FOAM 2000 mm x 1500 mm x 40 mm	
•70	1604 2519 01	LOCK	2	-	1079 0003 33	SILENCING FOAM 2000 mm x 1500 mm x 50 mm	
•72	1604 3743 00	LATCH	2				
•75	1089 0362 99	HOLDER	1				
•76	0697 9810 25	PLUG	1				
•77	0697 9809 20	LOCK NUT	1				
•80	1089 9422 07	EMERGENCY STOP	1				
•81	0663 6127 00	O-RING	1				
•82	0129 3108 00	BLIND RIVET	3				
•85	1089 0362 28	PROTECTIVE COLLAR	1				
•90	0246 1956 35	STUD	4				
•95	1604 2800 01	BRACKET	1				
•100	1615 5664 00	HEX. HEAD SCREW	2				
•105	1089 9430 01	HORN	1				



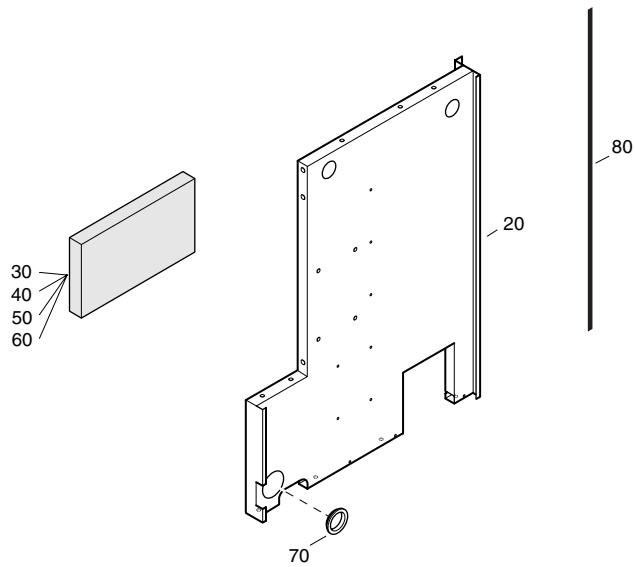
REF	PART NUMBER	DESIGNATION	QTY
-	1604 2456 80	DOOR ASSY	
•20	1604 2456 00	DOOR	1
•25	1619 6858 00	SEAL	AR
•30	-	SILENCING FOAM	1
•40	-	SILENCING FOAM	1
•50	1619 2665 00	SEAL	AR
•60	1615 6967 03	HANDLE	1
•70	0301 2321 00	PLAIN WASHER	4
•80	0291 1108 00	LOCKNUT	4
•110	1604 3429 00	HINGE	2
•120	1615 5684 00	BRACKET	2
•130	0216 1324 03	HEX SOCK. SCREW	4
•140	1619 1663 00	DOOR HOOK	1
•150	0129 3270 17	BLIND RIVET	2
•160	0686 9252 87	PLUG	2
-	1079 0003 32	SILENCING FOAM 2000 mm x 1500 mm x 30 mm	
-	1079 0001 91	SILENCING FOAM 2000 mm x 1500 mm x 40 mm	
-	1079 0003 33	SILENCING FOAM 2000 mm x 1500 mm x 50 mm	



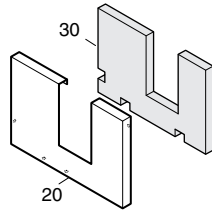
REF	PART NUMBER	DESIGNATION	QTY
-	1604 2460 82	PANEL ASSY	
●20	1604 2460 01	PANEL	1
●21	0686 9252 87	PLUG	2
●30	-	SILENCING FOAM	1
●40	1604 3428 00	HINGE	2
●50	1615 5684 00	BRACKET	2
●60	0216 1324 03	HEX SOCK. SCREW	4
●70	0246 1956 35	STUD	2
●80	1619 1663 00	DOOR HOOK	1
●90	0129 3270 17	BLIND RIVET	2
-	1079 0003 32	SILENCING FOAM 2000 mm x 1500 mm x 30 mm	
-	1079 0001 91	SILENCING FOAM 2000 mm x 1500 mm x 40 mm	
-	1079 0003 33	SILENCING FOAM 2000 mm x 1500 mm x 50 mm	



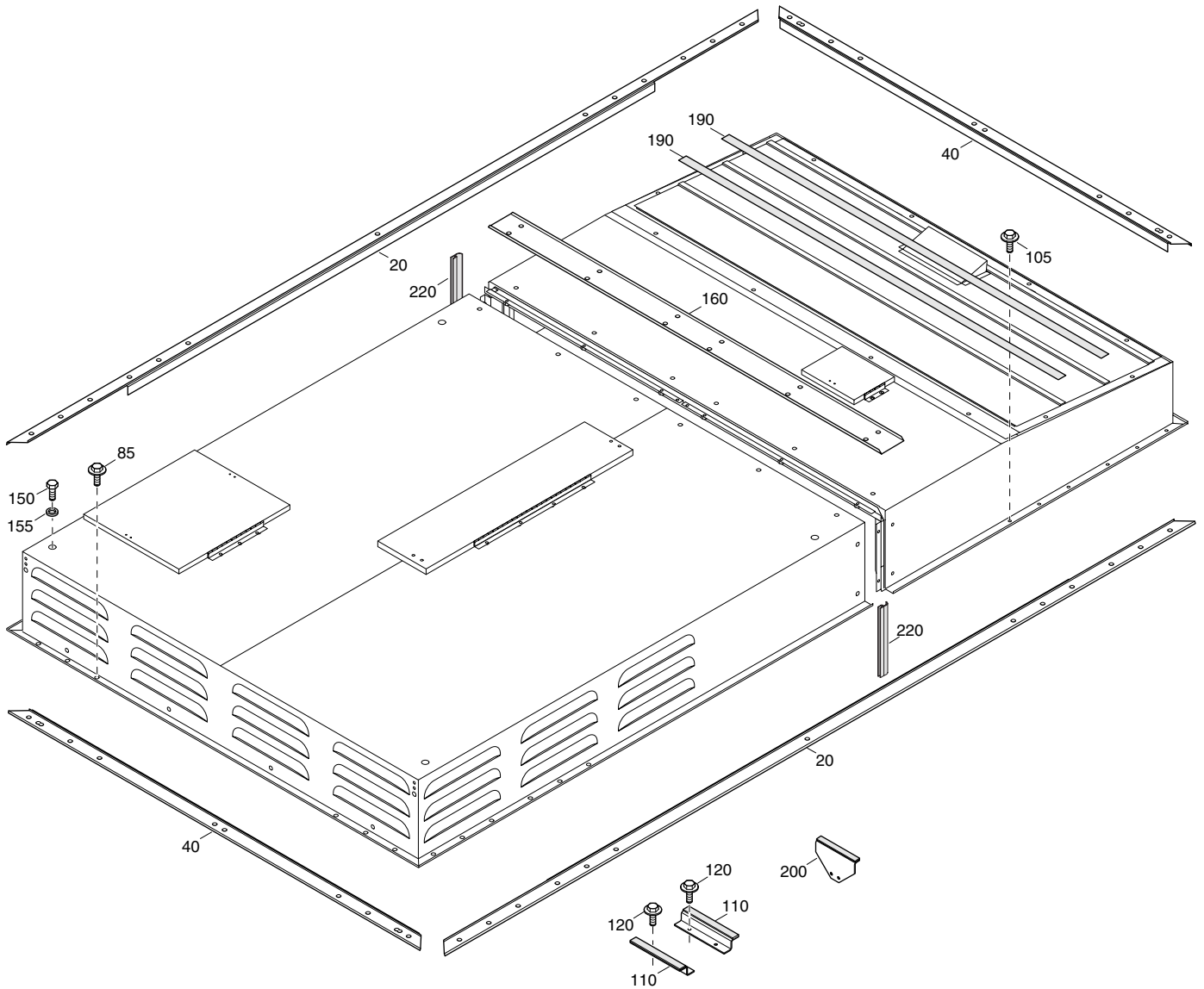
REF	PART NUMBER	DESIGNATION	QTY
20	1604 2472 84	PANEL ASSY (For details see page 55)	1
25	1615 5664 00	SCRAPER BOLT	4
30	1615 5664 00	SCRAPER BOLT	3
50	1604 2543 81	PANEL ASSY (For details see page 56)	1



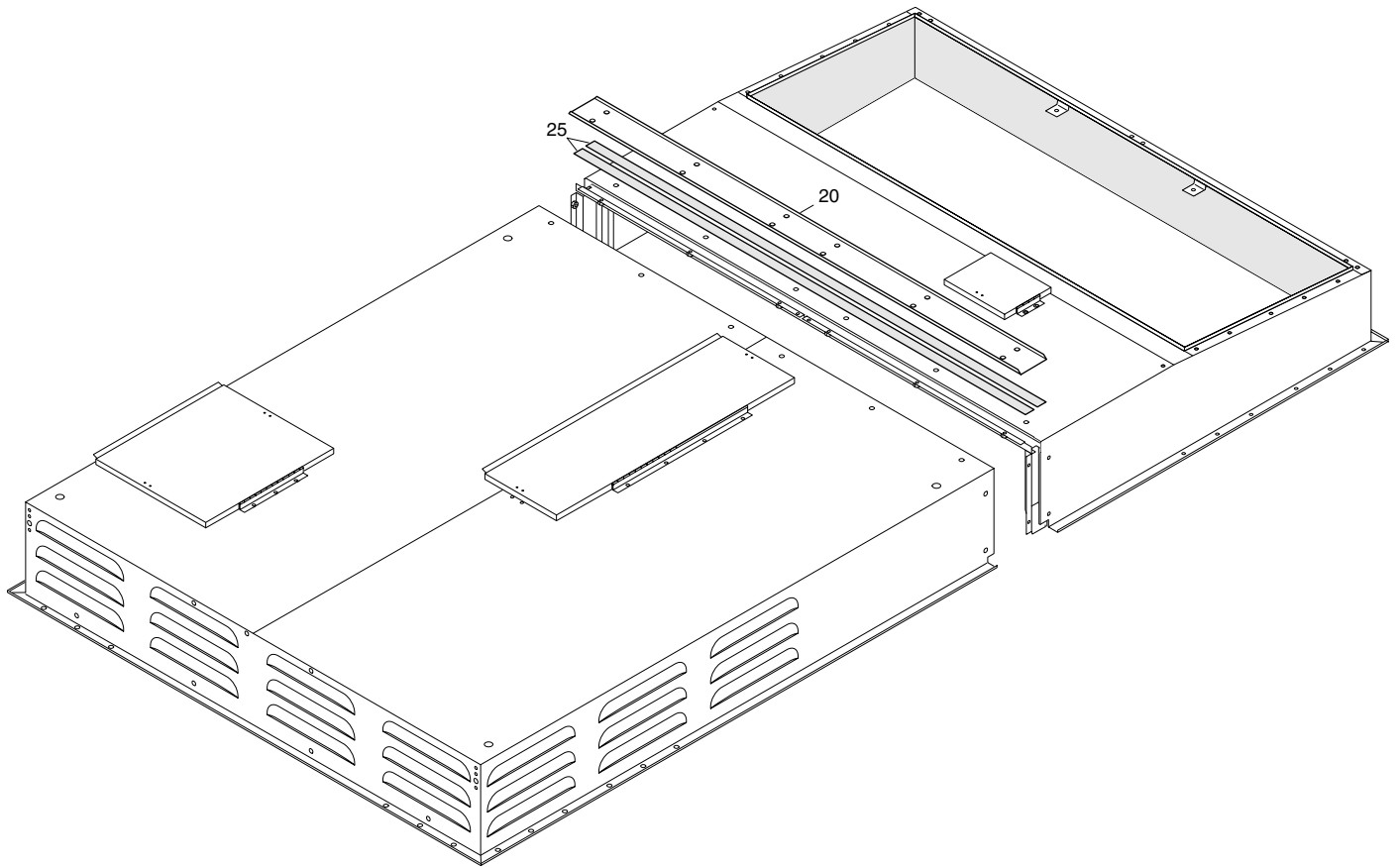
REF	PART NUMBER	DESIGNATION	QTY
-	1604 2472 84	PANEL ASSY	
•20	1604 2472 03	PANEL	1
•30	-	SILENCING FOAM	1
•40	-	SILENCING FOAM	1
•50	-	SILENCING FOAM	1
•60	-	SILENCING FOAM	1
•70	1604 0383 00	SEAL (OIL SEPARATOR)	2
•80	1503 1056 00	SEAL	AR
-	1079 0003 32	SILENCING FOAM 2000 mm x 1500 mm x 30 mm	
-	1079 0001 91	SILENCING FOAM 2000 mm x 1500 mm x 40 mm	
-	1079 0003 33	SILENCING FOAM 2000 mm x 1500 mm x 50 mm	



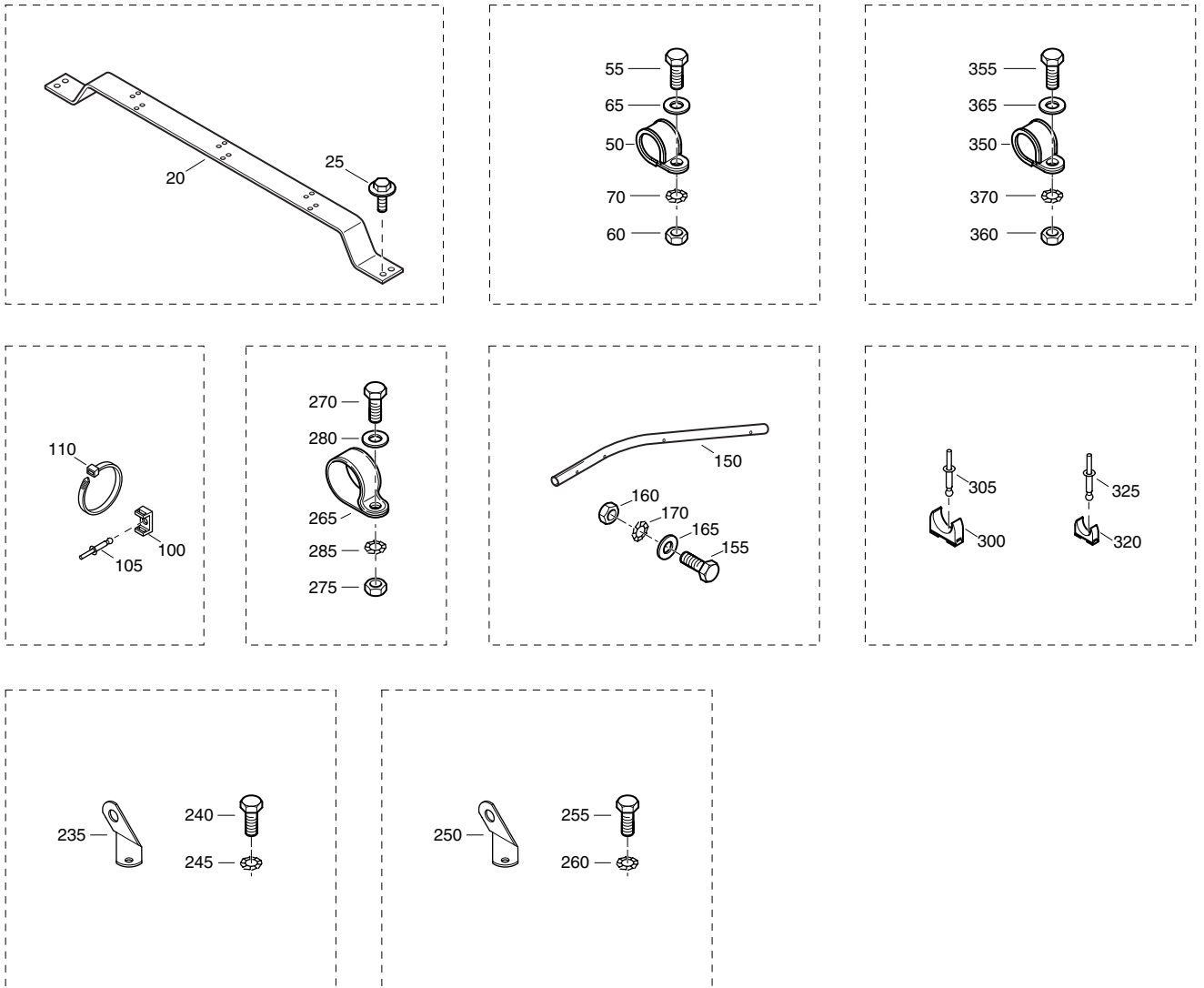
REF	PART NUMBER	DESIGNATION	QTY
-	1604 2543 81	PANEL ASSY	
•20	1604 2543 01	PLATE	1
•30	-	SILENCING FOAM	1
-	1079 0003 32	SILENCING FOAM 2000 mm x 1500 mm x 30 mm	
-	1079 0001 91	SILENCING FOAM 2000 mm x 1500 mm x 40 mm	
-	1079 0003 33	SILENCING FOAM 2000 mm x 1500 mm x 50 mm	



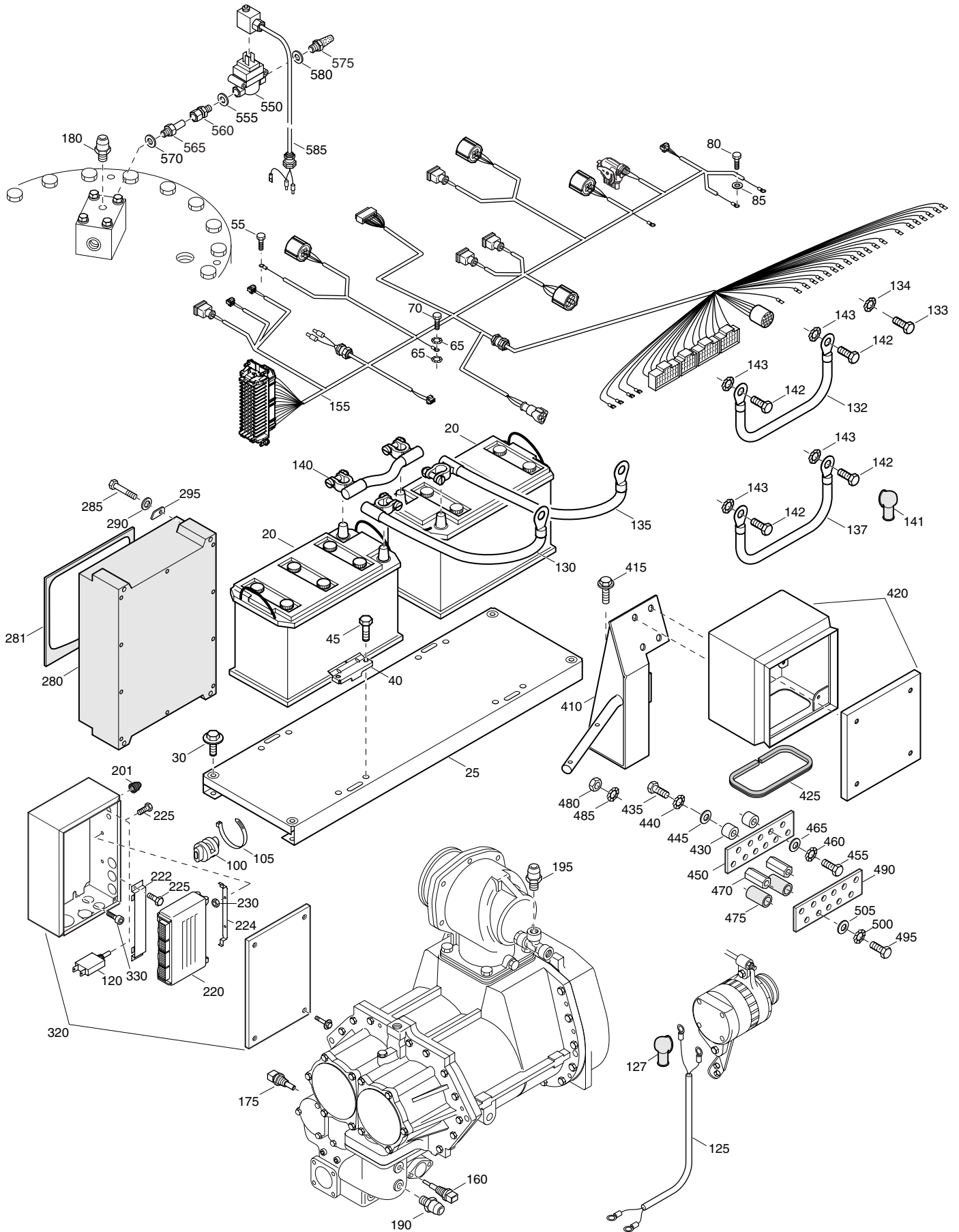
REF	PART NUMBER	DESIGNATION	QTY
20	1604 4626 00	BEAM L&R	2
40	1604 4627 00	BEAM F&R	2
85	1604 3423 00	SCRAPER BOLT	18
105	1604 3423 00	SCRAPER BOLT	18
110	1604 4393 01	SUPPORT	2
120	1604 3423 00	SCRAPER BOLT	4
150	0147 1961 01	HEX. HEAD SCREW	4
155	0301 2358 00	PLAIN WASHER	4
160	1604 3726 80	PLATE ASSY	1
		(For details see page 58)	
190	1604 1275 00	SEAL	AR
200	1604 3729 00	SUPPORT	1
220	1202 5211 00	SEAL	AR



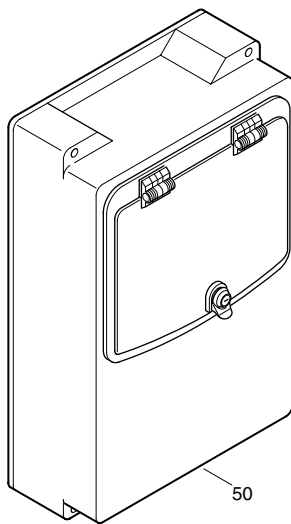
REF	PART NUMBER	DESIGNATION	QTY
-	1604 3726 80/00	PLATE ASSY	
•20	1604 3726 00	PLATE	1
•25	1604 1275 00	SEAL	AR



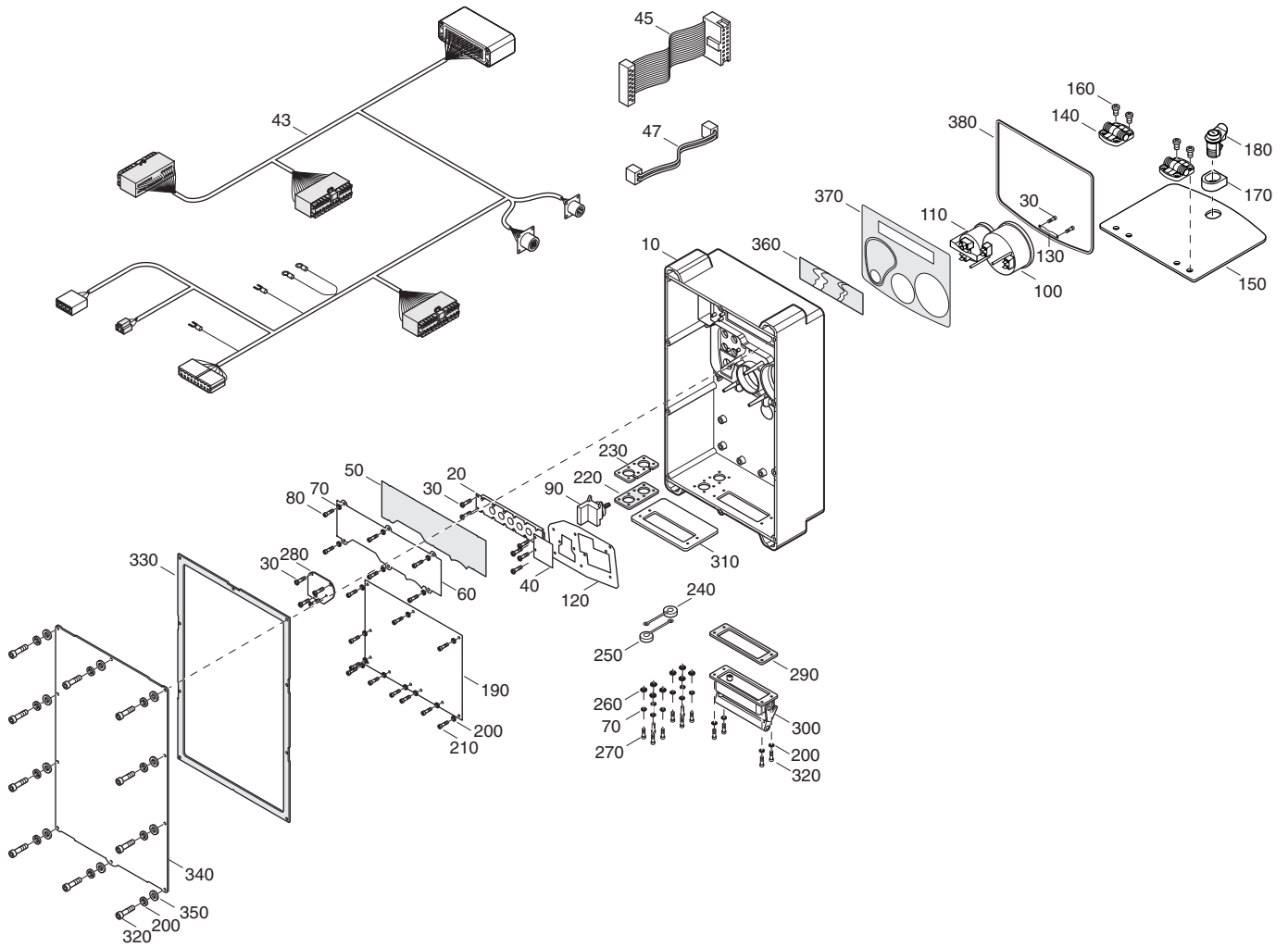
REF	PART NUMBER	DESIGNATION	QTY	REF	PART NUMBER	DESIGNATION	QTY
20	1604 2745 02	CABLE GUIDE	1	260	0333 3237 00	LOCK WASHER	1
25	1619 2766 00	BOLT	3	265	1613 0801 04	CLAMP	1
50	1613 0801 02	CLAMP	4	270	0147 1251 03	HEX. HEAD SCREW	1
55	0147 1252 03	HEX. HEAD SCREW	2	275	0266 2108 00	HEXAGON NUT	1
60	0266 2108 00	HEXAGON NUT	2	280	0301 2321 00	PLAIN WASHER	1
65	0301 2321 00	PLAIN WASHER	2	285	0333 3220 00	LOCK WASHER	1
70	0333 3220 00	LOCK WASHER	2	300	1088 0832 06	CLAMP	2
100	0348 0110 03	ANCHOR PLATE	40	305	0129 3110 00	BLIND RIVET	2
105	0129 3110 00	BLIND RIVET	45	320	1088 0832 01	CABLE CLAMP	1
110	0348 0101 05	CABLE TIE	45	325	0129 3110 00	BLIND RIVET	1
150	1604 2765 02	GUIDE	2	350	1613 0801 02	CLAMP	2
155	0147 1251 03	HEX. HEAD SCREW	1	355	0147 1247 03	HEX. HEAD SCREW	2
160	0266 2108 00	HEXAGON NUT	2	360	0266 2108 00	HEXAGON NUT	2
165	0301 2321 00	PLAIN WASHER	2	365	0301 2321 00	PLAIN WASHER	2
170	0333 3220 00	LOCK WASHER	2	370	0333 3220 00	LOCK WASHER	2
235	1604 2690 00	BRACKET	1				
240	0147 1400 03	HEX. HEAD SCREW	1				
245	0333 3237 00	LOCK WASHER	1				
250	1604 2690 00	BRACKET	1				
255	0147 1400 03	HEX. HEAD SCREW	1				



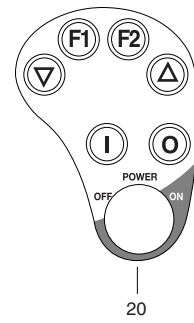
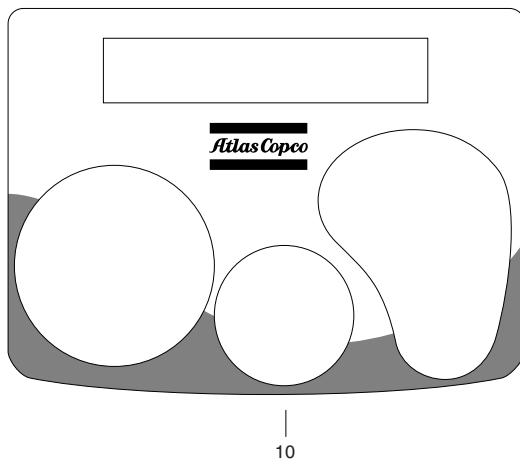
REF	PART NUMBER	DESIGNATION	QTY	REF	PART NUMBER	DESIGNATION	QTY
20	0926 5400 18	BATTERY	2	490	1604 2121 01	STRIP	1
25	1604 2724 01	SUPPORT	1	495	0147 1323 03	HEX. HEAD SCREW	2
30	1615 5664 00	HEX. HEAD SCREW	4	500	0333 3227 00	LOCK WASHER	2
40	1615 4861 00	CLAMP	4	505	0301 2335 00	PLAIN WASHER	2
45	1619 5337 01	HEX. HEAD SCREW	8	550	1089 0351 61	SOLENOID VALVE	1
55	0147 1360 03	HEX. HEAD SCREW	1	555	0653 1124 00	FLAT GASKET	1
65	1088 0019 02	CONTACT WASHER	2	560	0580 0525 06	STRAIGHT PIPE-COUPLING	1
70	0147 1360 03	HEX. HEAD SCREW	1	565	0580 0500 26	STRAIGHT PIPE-COUPLING	1
80	0147 1362 03	HEX. HEAD SCREW	1	570	0653 1124 00	FLAT GASKET	1
85	0301 2394 00	PLAIN WASHER	1	575	9090 0510 00	SILENCER	1
100	1089 0522 01	DIODE	1	580	0653 1124 00	FLAT GASKET	1
105	1088 1301 01	CABLE STRIP	1	585	1604 3586 01	WIRE HARNESS	1
120	1089 9206 09	CIRCUIT BREAKER	1				
125	1604 3447 02	CABLE	1				
127	1612 0846 00	RUBBER CAP	1				
130	1604 2457 02	BATTERY CABLE	1				
132	1604 4610 00	BATTERY CABLE	1				
133	0147 1321 03	HEX. HEAD SCREW	1				
134	0333 3227 00	LOCK WASHER	1				
135	1604 2538 02	BATTERY CABLE	1				
137	1604 4611 00	BATTERY CABLE	1				
140	1615 9079 00	BATTERY CABLE	1				
141	1619 3729 00	PROTECT.CAP	1				
142	0147 1321 03	HEX. HEAD SCREW	8				
143	0333 3227 00	LOCK WASHER	8				
155	1604 3779 02	WIRE HARNESS	1				
160	1089 0574 40	TEMPERATURE SENSOR	1				
175	1089 0574 40	TEMPERATURE SENSOR	1				
180	1089 9579 55	PRESSURE SENSOR	1				
190	1089 9579 54	PRESSURE SENSOR	1				
195	1089 9579 60	PRESSURE SENSOR	1				
201	1089 9206 59	PROTECTION CAP	1				
220	1604 2178 02	CONTROL UNIT	1				
222	1604 2176 00	BRACKET	1				
224	1604 2177 00	BRACKET	1				
225	0147 1207 03	HEX. HEAD SCREW	4				
230	0266 2107 00	HEXAGON NUT	2				
280	1900 1003 46	CONTROL UNIT HP	1				
		(For details see page 62)					
281	1604 3679 00	SEAL	1				
285	5541 9781 00	HEX. HEAD SCREW	4				
290	0301 2321 00	PLAIN WASHER	4				
295	1604 4353 00	WASHER	4				
320	1604 2122 02	CUBICLE	1				
330	0211 1323 03	HEX SOCK. SCREW	4				
410	1604 4594 00	SUPPORT	1				
415	1615 5664 00	HEX. HEAD SCREW	2				
420	1604 2124 02	CUBICLE BOX	1				
425	1503 1056 00	SEAL	AR				
430	1089 9385 02	ISOLATOR	2				
435	0147 1321 03	HEX. HEAD SCREW	2				
440	0333 3227 00	LOCK WASHER	2				
445	0301 2335 00	PLAIN WASHER	2				
450	1604 2121 01	STRIP	1				
455	0147 1323 03	HEX. HEAD SCREW	2				
460	0333 3227 00	LOCK WASHER	2				
465	0301 2335 00	PLAIN WASHER	2				
470	0324 1800 27	DISTANCE PIECE	2				
475	0070 4024 14	HOSE	2				
480	0266 2110 00	HEXAGON NUT	2				
485	1088 0019 01	CONTACT WASHER	2				



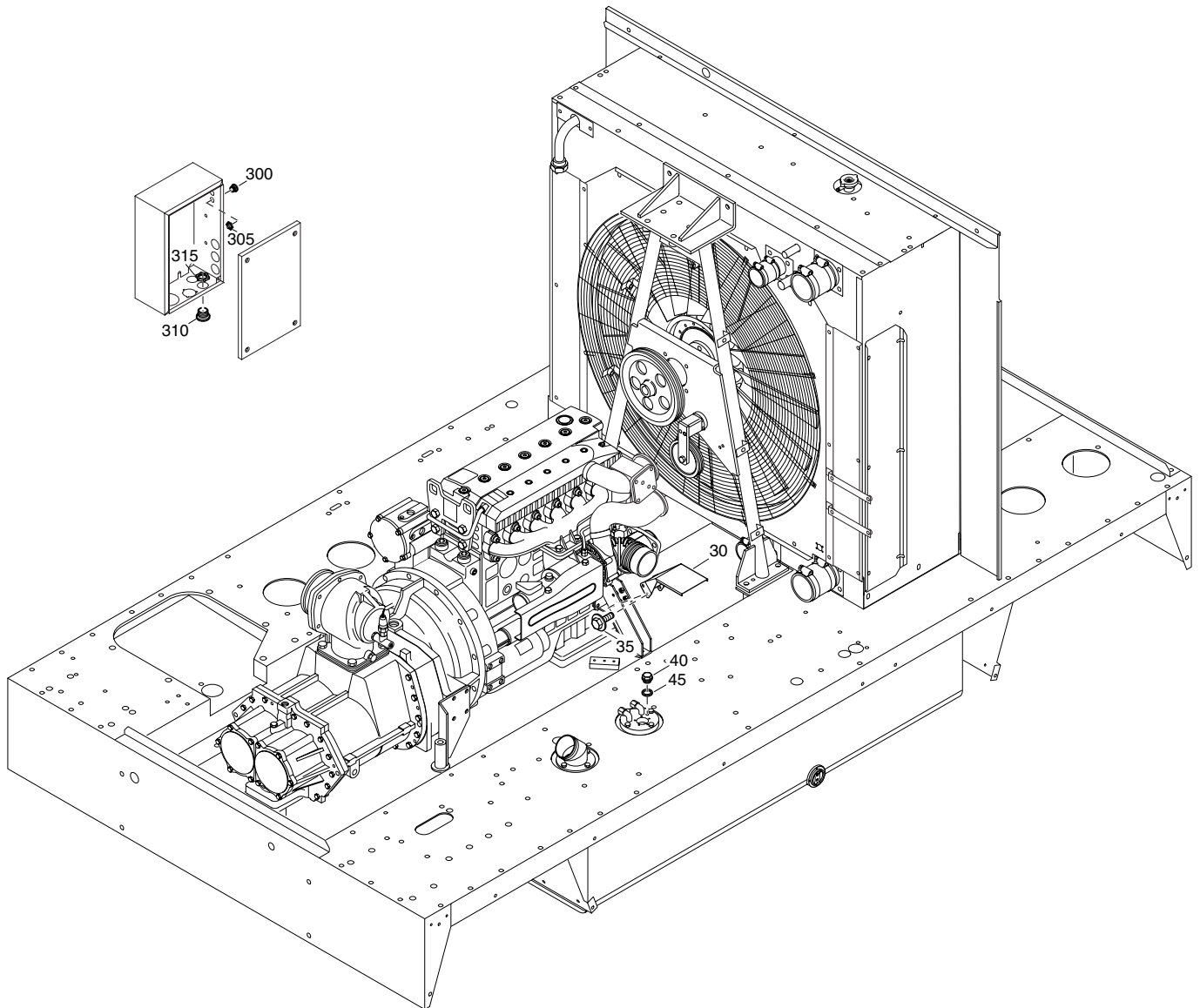
REF	PART NUMBER	DESIGNATION	QTY
-	1900 1003 46	CONTROL UNIT HP	
•50	1604 4249 80	CONTROL BOX (For details see page 63)	1



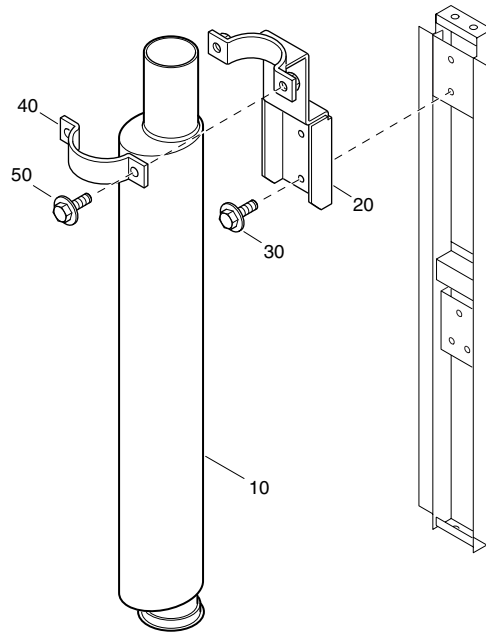
REF	PART NUMBER	DESIGNATION	QTY	REF	PART NUMBER	DESIGNATION	QTY
-	1604 4249 80	CONTROL BOX		•210	0211 1170 03	HEX SOCK. SCREW	9
•10	-	HOUSING	1	•220	1604 4271 00	SEAL	1
•20	-	DISPLAY	1	•230	-	PLATE	1
•30	0226 0300 48	TAPPING SCREW	12	•240	1604 2194 00	COVER	1
•40	-	PCB	1	•250	1604 2199 00	COVER	1
•43	1604 1758 00	WIRE HARNESS	1	•260	0301 2309 00	PLAIN WASHER	8
•45	1604 5825 00	CABLE	1	•270	0211 1107 03	HEX SOCK. SCREW	8
•47	1604 5827 00	CABLE	1	•280	-	PCB	1
•50	1604 4270 00	SEAL	1	•290	-	SEAL	1
•60	-	PLATE	1	•300	-	HOUSING	1
•70	0333 3210 00	LOCK WASHER	14	•310	-	PLATE	1
•80	0211 1106 03	HEX SOCK. SCREW	6	•320	0211 1173 03	HEX SOCK. SCREW	14
•90	1089 0263 27	SELECTOR SWITCH	1	•330	-	SEAL	1
•100	1089 0565 41	PRESSURE GAUGE HP	1	•340	-	PLATE	1
•110	1089 0631 02	FUEL GAUGE	1	•350	0301 2315 00	PLAIN WASHER	10
•120	-	PLATE	1	•360	-	SCREEN, DE1091	1
•130	1604 2193 00	BRACKET	1	•370	1604 4247 80	DECAL ASSEMBLY	1
•140	1604 4146 00	HINGE	2			(For details see page 64)	
•150	1604 1784 00	PLATE	1	•380	1604 4246 00	SEAL	1
•160	0160 0996 17	CROSS REC SCREW	8				
•170	1604 1336 00	LOCK WASHER	1				
•180	1604 2173 00	PUSH LOCK	1				
•190	-	PCB	1				
•200	0333 3114 01	LOCK WASHER	23				



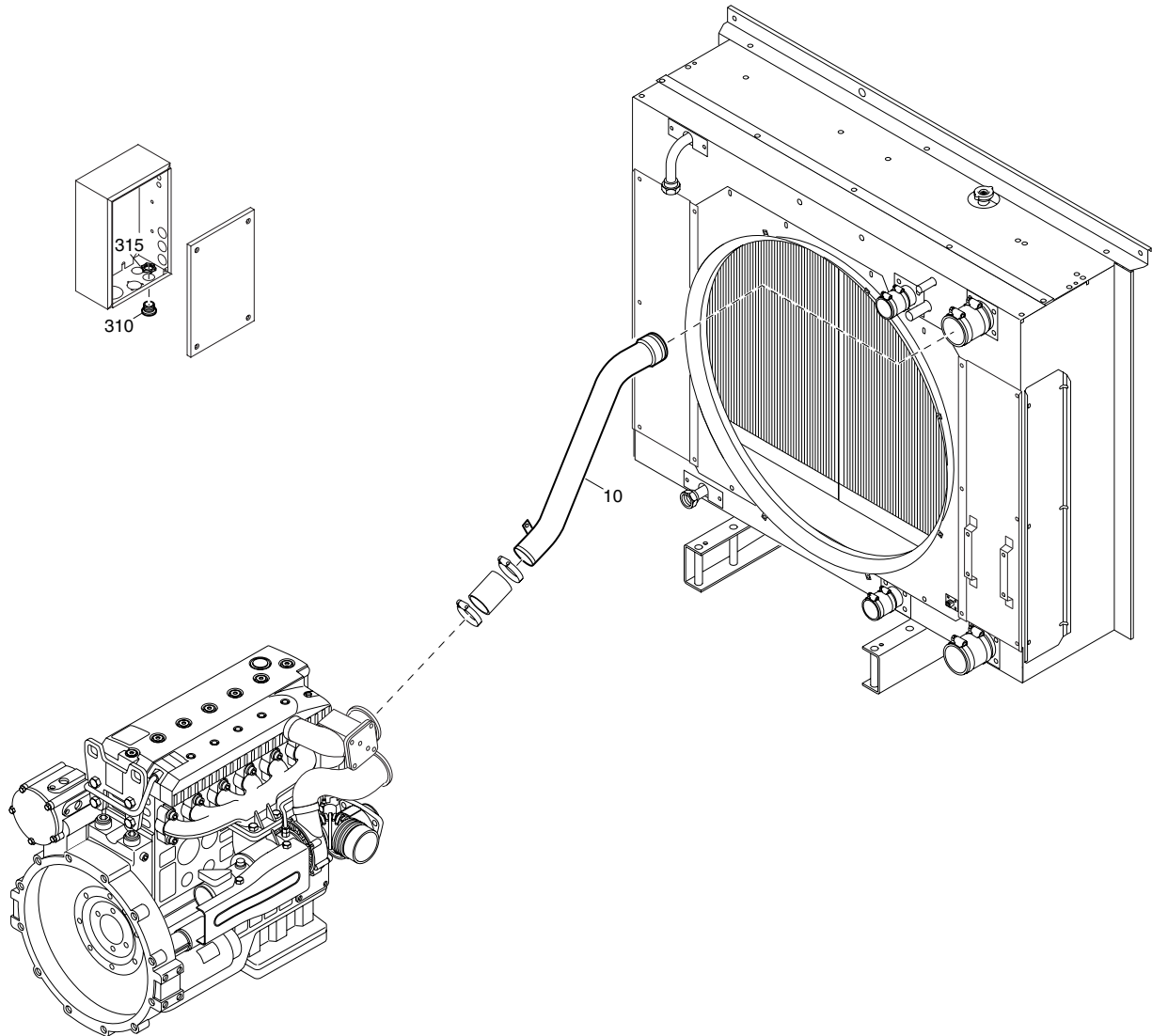
REF	PART NUMBER	DESIGNATION	QTY
-	1604 4247 80	DECAL ASSEMBLY	
•10	1604 4248 00	DECAL	1
•20	1604 4249 00	DECAL	1



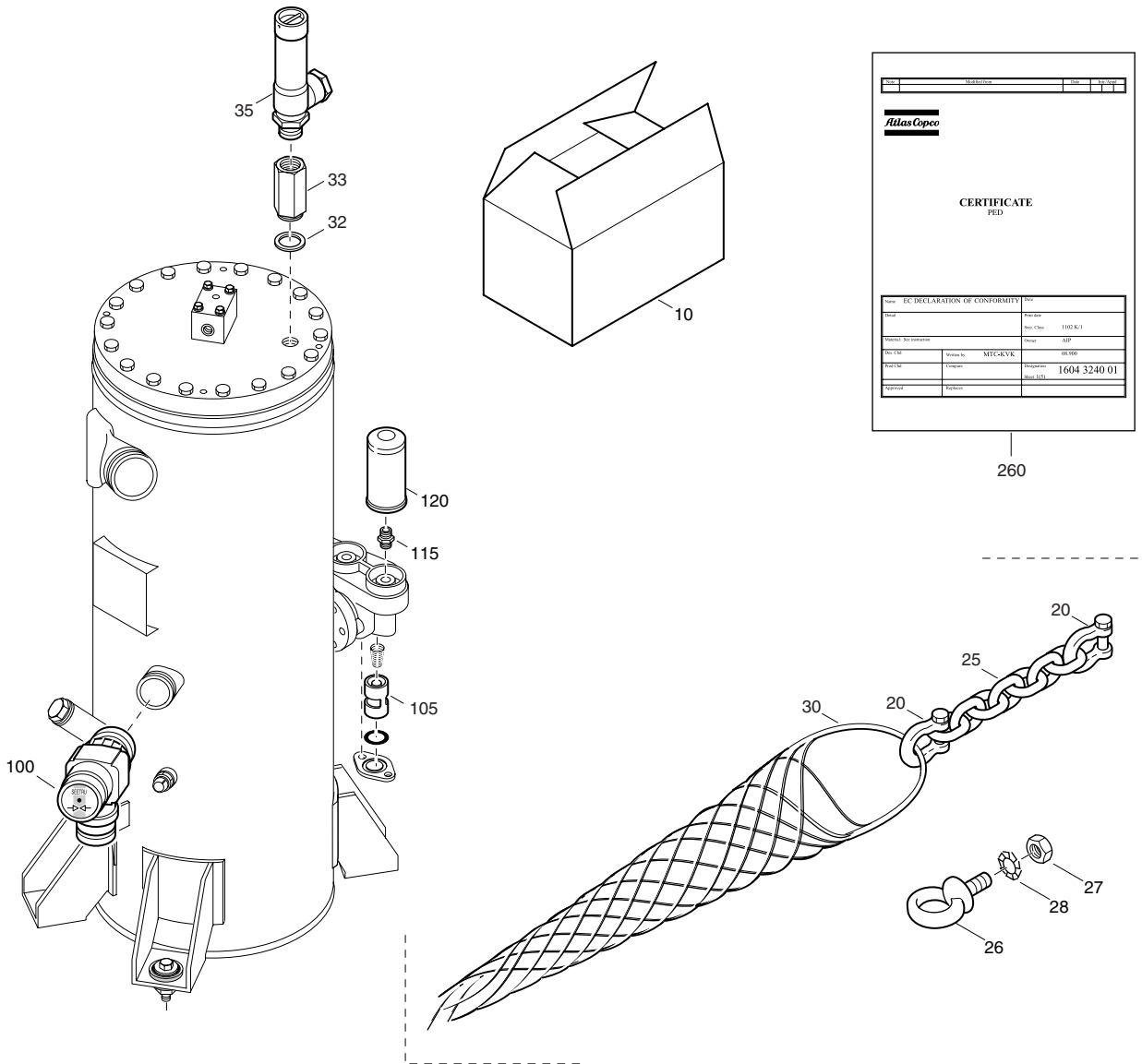
REF	PART NUMBER	DESIGNATION	QTY
30	1604 3707 02	SHIELD	1
35	1619 2766 00	HEX. HEAD SREW	4
40	0686 4201 03	HEXAGON PLUG	1
45	0653 1046 00	FLAT GASKET	1
300	0697 9810 32	PLUG	1
305	0697 9809 30	LOCKNUT	1
310	0697 9810 27	PLUG	1
315	0697 9809 22	LOCK NUT	1



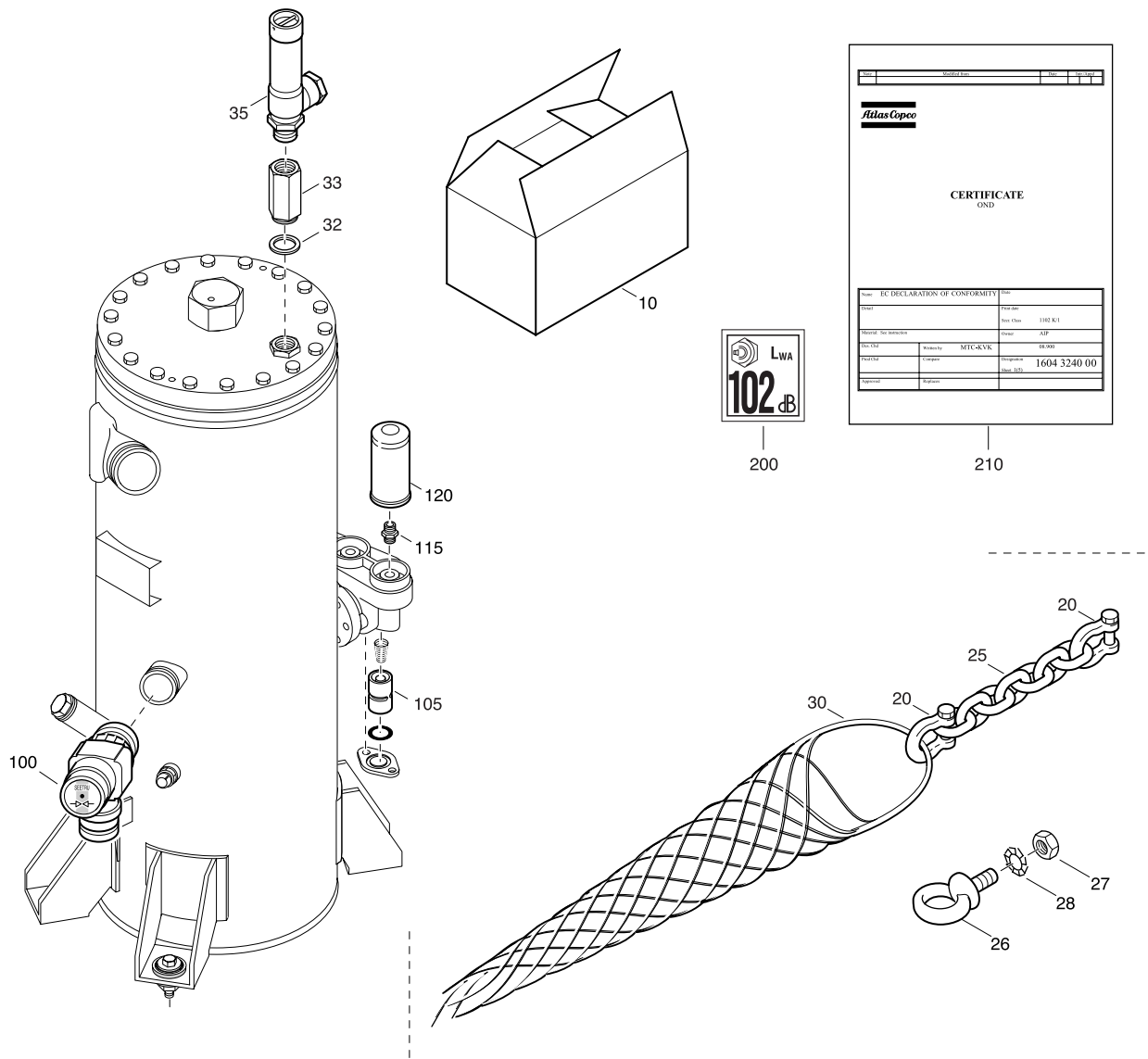
REF	PART NUMBER	DESIGNATION	QTY
10	1604 2838 02	EXHAUST PIPE	1
20	1604 3732 01	BRACKET	1
30	1615 5664 00	SCRAPER BOLT	2
40	1604 3731 00	BRACKET	1
50	1615 5664 00	SCRAPER BOLT	2



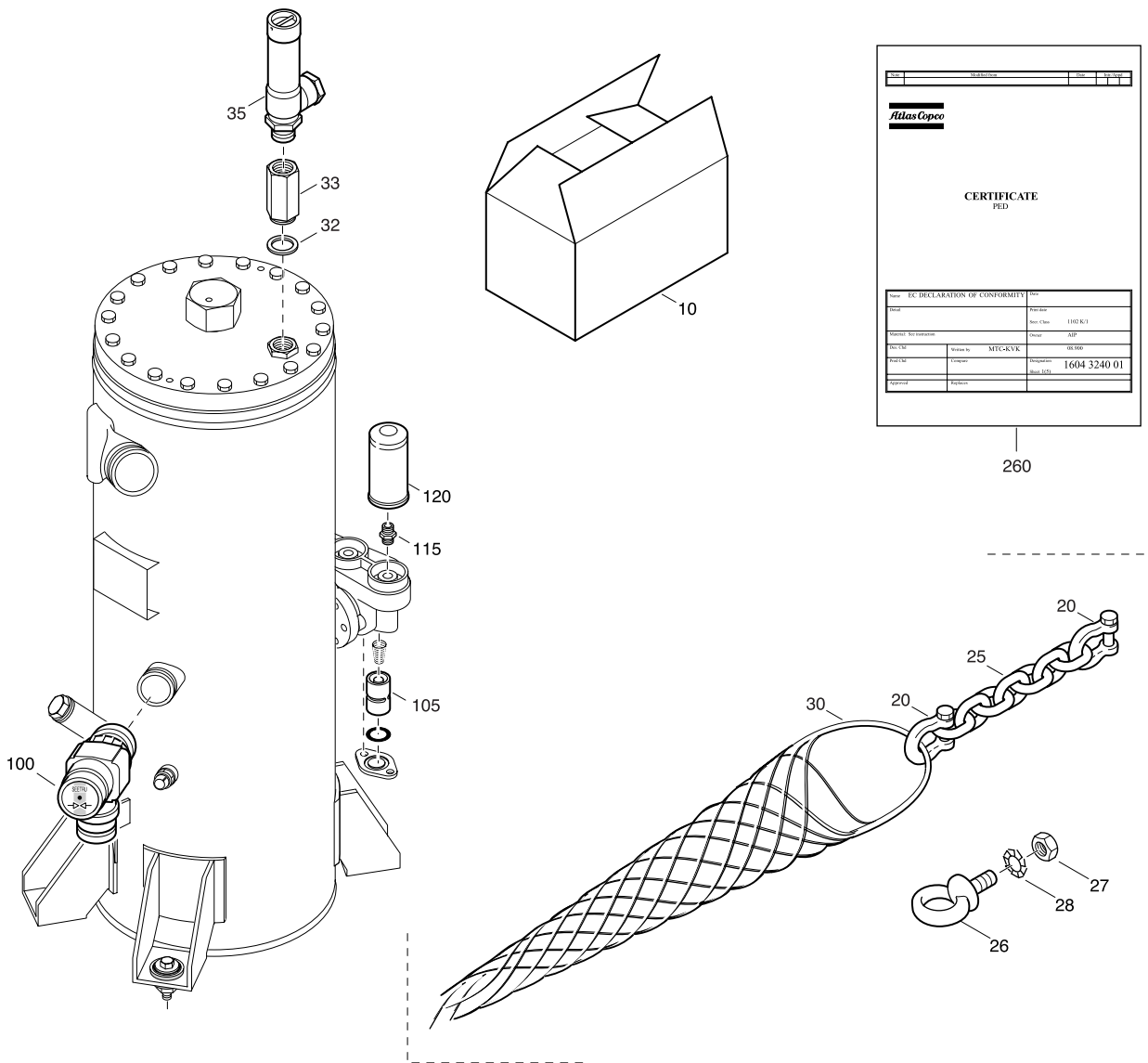
REF	PART NUMBER	DESIGNATION	QTY
10	1604 2632 01	PIPE	1
310	0697 9810 27	PLUG	1
315	0697 9809 22	LOCK NUT	1



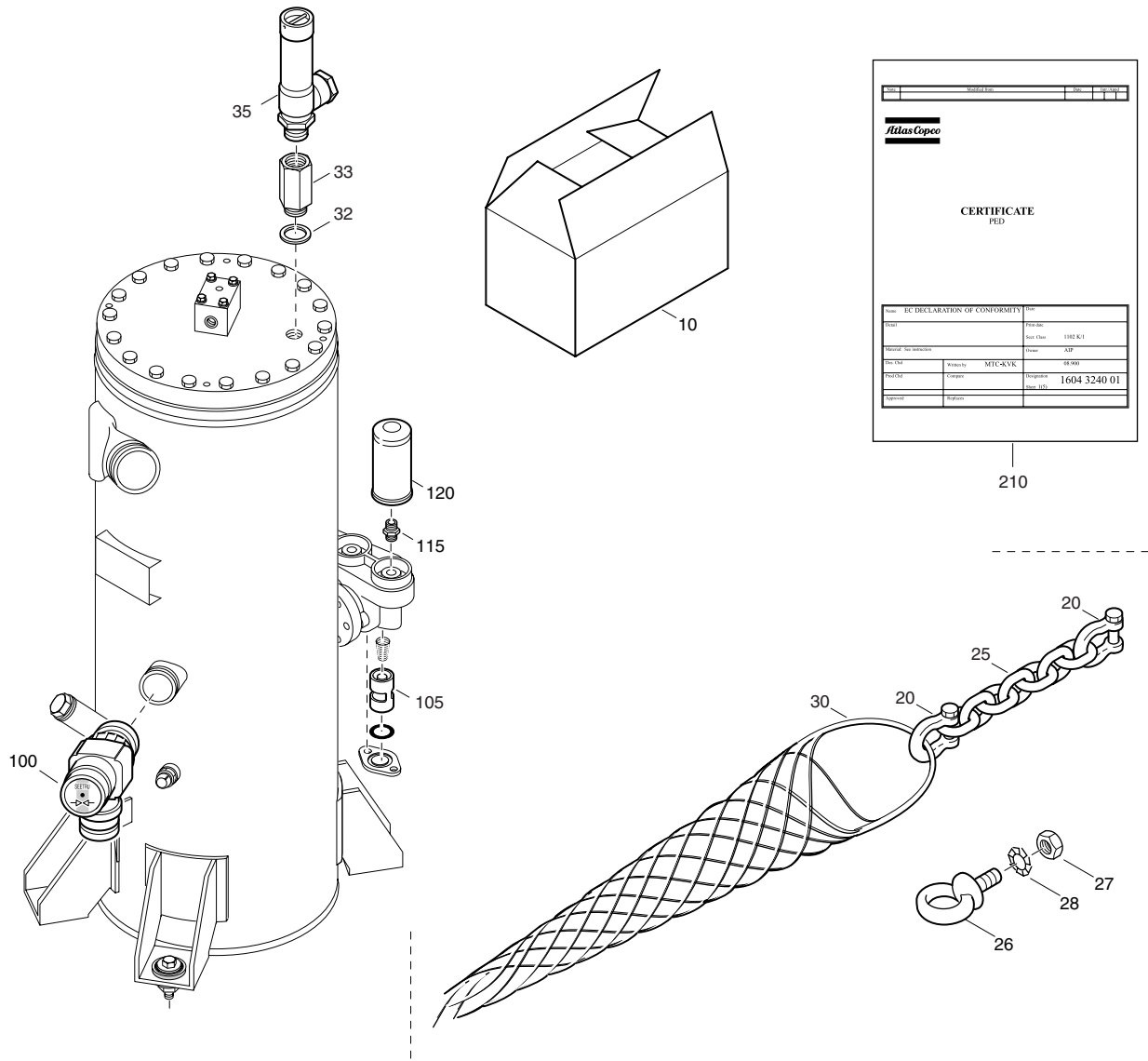
REF	PART NUMBER	DESIGNATION	QTY
10	-	PAK 50H HP SIZE II (Not available separately)	1
20	0372 4100 08	BOW SHACKLE	2
25	3163 1853 00	CHAIN	1
26	0371 1100 21	LIFTING EYE	1
27	0266 2111 00	HEXAGON NUT	1
28	0333 3232 00	LOCK WASHER	1
30	3163 1852 00	WIRE MESH HOSE	1
32	0661 1038 00	SEALING WASHER	1
33	1604 3757 00	BUSHING	1
35	0832 1001 72	SAFETY VALVE	1
100	1604 2524 02	MIN. PRESSURE VALVE	1
105	1615 9720 00	THERMOSTATIC VALVE	1
115	2254 7257 00	NIPPLE	3
120	1202 8040 00	OILFILTER	3
260	1604 3240 01	CERTIFICATE CE PED	1



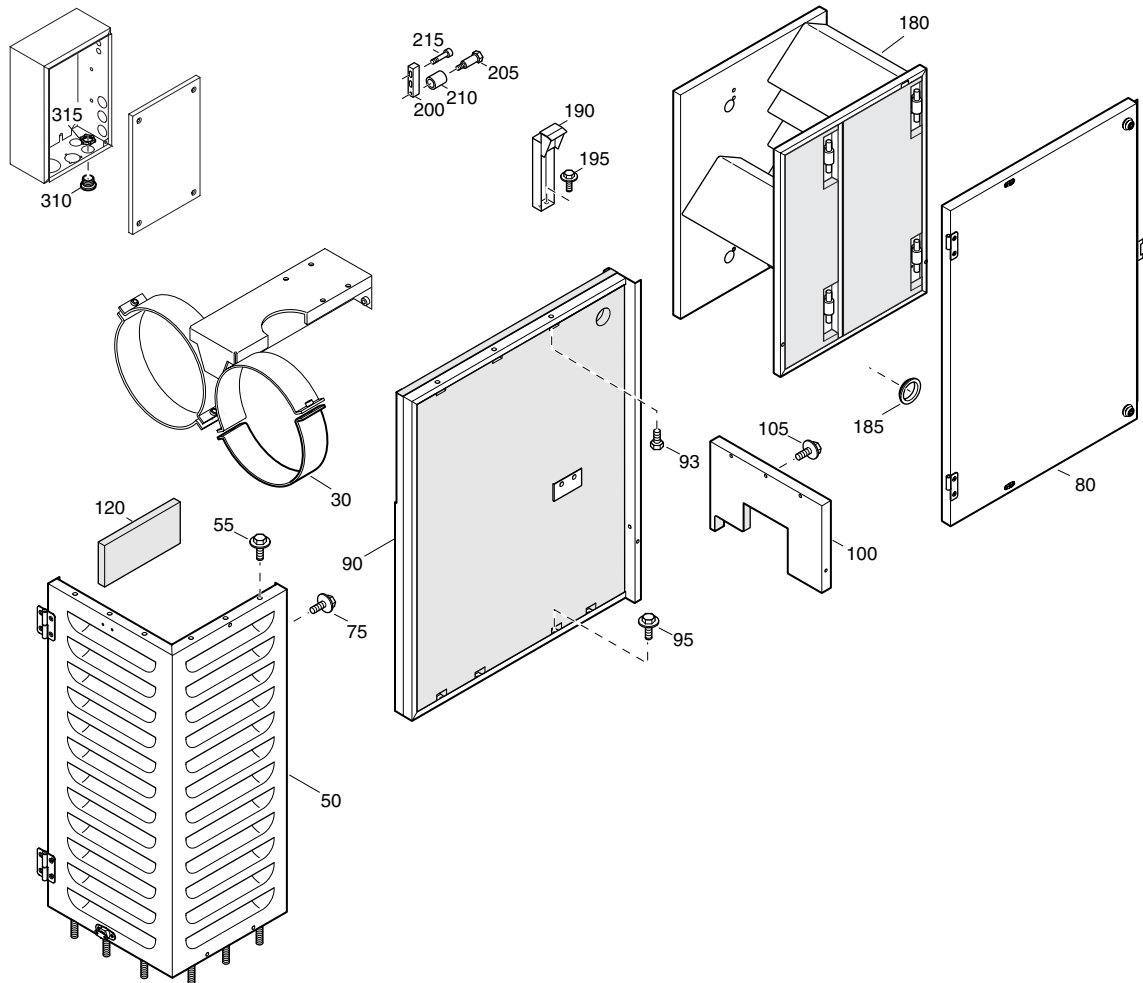
REF	PART NUMBER	DESIGNATION	QTY
10	-	PAK 50H HP SIZE II (Not available separately)	1
20	0372 4100 08	BOW SHACKLE	2
25	3163 1853 00	CHAIN	1
26	0371 1100 21	LIFTING EYE	1
27	0266 2111 00	HEXAGON NUT	1
28	0333 3232 00	LOCK WASHER	1
30	3163 1852 00	WIRE MESH HOSE	1
32	0661 1038 00	SEALING WASHER	1
33	1604 2847 00	BUSHING	1
35	0832 1000 58	SAFETY VALVE	1
100	1604 2524 02	MIN. PRESSURE VALVE	1
105	1202 5869 01	THERMOSTATIC VALVE	1
115	2254 7257 00	NIPPLE	3
120	1202 8040 00	OILFILTER	3
200	1604 3317 01	LABEL NOISE 102 LWA	1
210	1604 3240 00	CERTIFICATE CE PED OND	1



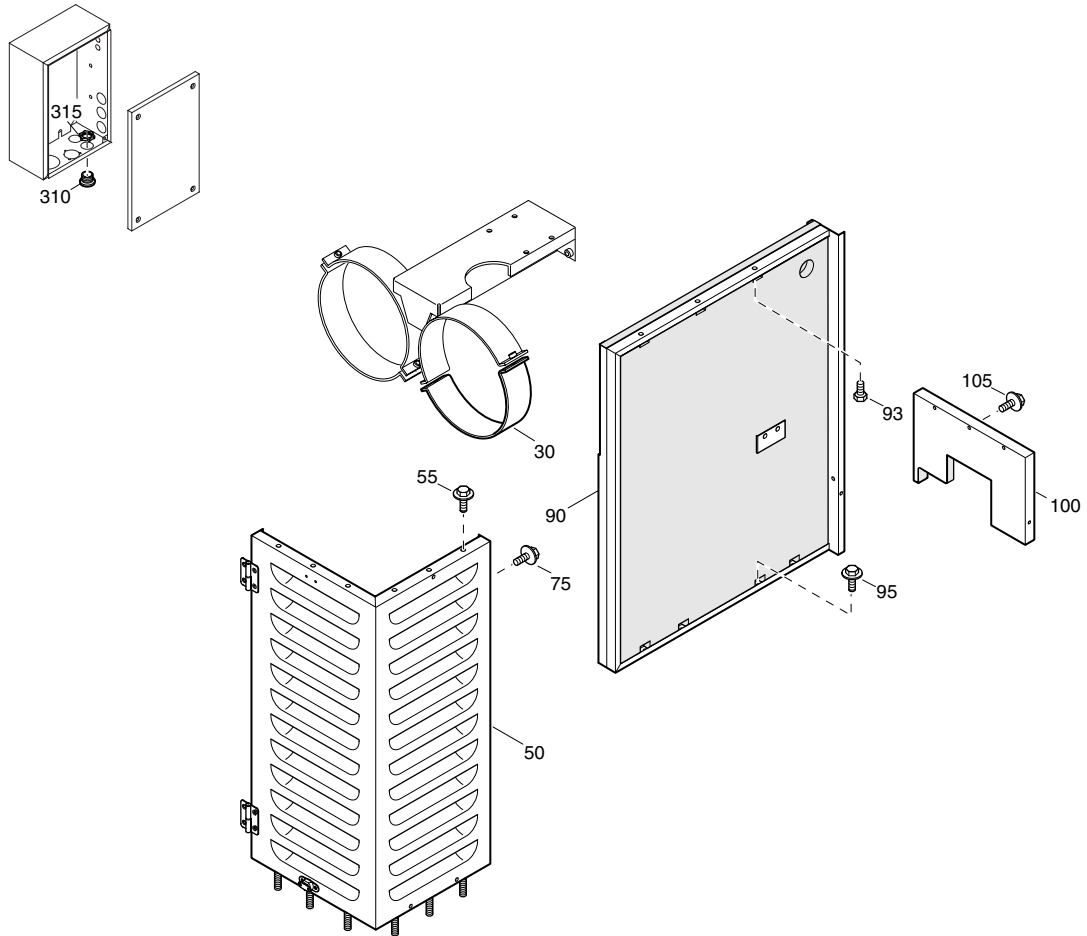
REF	PART NUMBER	DESIGNATION	QTY
10	-	PAK 50H HP SIZE II (Not available separately)	1
20	0372 4100 08	BOW SHACKLE	2
25	3163 1853 00	CHAIN	1
26	0371 1100 21	LIFTING EYE	1
27	0266 2111 00	HEXAGON NUT	1
28	0333 3232 00	LOCK WASHER	1
30	3163 1852 00	WIRE MESH HOSE	1
32	0661 1038 00	SEALING WASHER	1
33	1604 3757 00	BUSHING	1
35	0832 1001 72	SAFETY VALVE	1
100	1604 2524 02	MIN. PRESSURE VALVE	1
105	1202 5869 01	THERMOSTATIC VALVE	1
115	2254 7257 00	NIPPLE	3
120	1202 8040 00	OILFILTER	3
260	1604 3240 01	CERTIFICATE CE PED	1



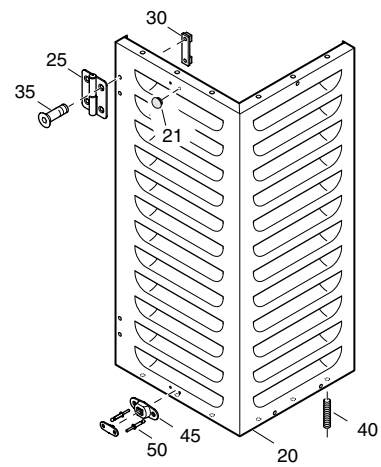
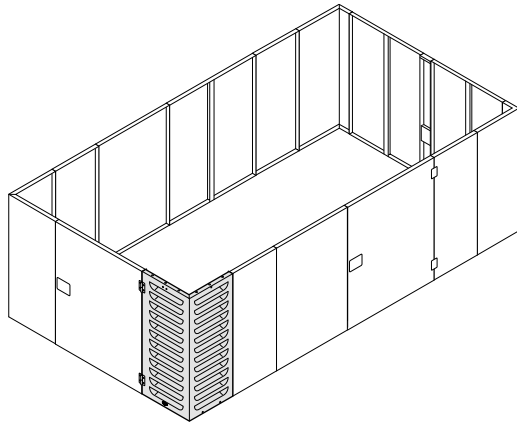
REF	PART NUMBER	DESIGNATION	QTY
10	-	PAK 50H HP SIZE II (Not available separately)	1
20	0372 4100 08	BOW SHACKLE	2
25	3163 1853 00	CHAIN	1
26	0371 1100 21	LIFTING EYE	1
27	0266 2111 00	HEXAGON NUT	1
28	0333 3232 00	LOCK WASHER	1
30	3163 1852 00	WIRE MESH HOSE	1
32	0661 1038 00	SEALING WASHER	1
33	0605 8700 12	BUSHING	1
35	0832 1000 58	SAFETY VALVE	1
100	1604 2524 02	MIN. PRESSURE VALVE	1
105	1615 9720 00	THERMOSTATIC VALVE	1
115	2254 7257 00	NIPPLE	3
120	1202 8040 00	OILFILTER	3
210	1604 3240 01	CERTIFICATE CE PED	1



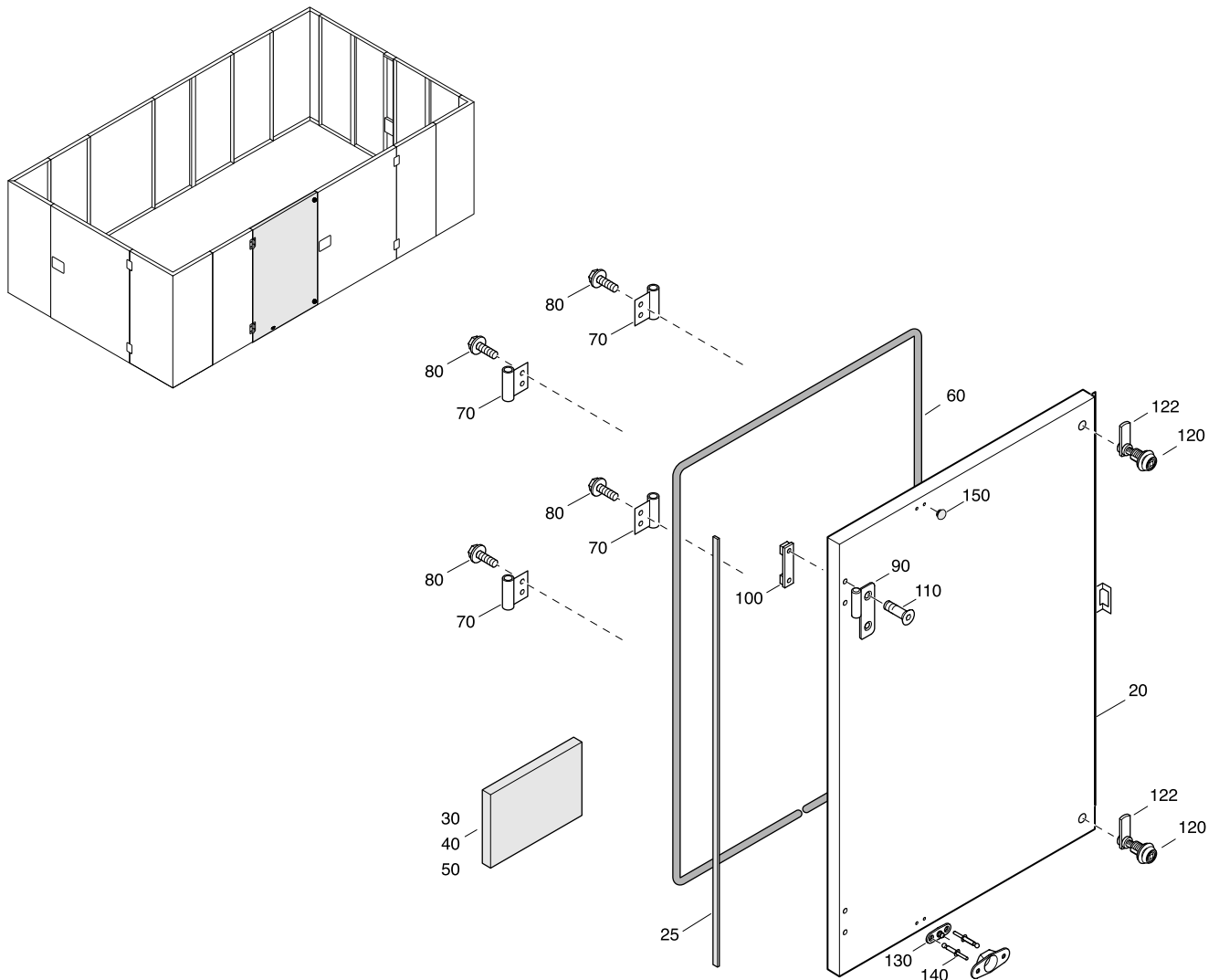
REF	PART NUMBER	DESIGNATION	QTY	REF	PART NUMBER	DESIGNATION	QTY
30	1604 0128 00	CLAMP (AIRFILTER)	1	205	1604 2705 00	SHAFT	2
50	1604 2468 80	CORNER ASSY (For details see page 74)	1	210	1604 2703 00	BUSHING	2
55	1615 5664 00	SCRAPER BOLT	6	215	0211 1326 00	HEX SOCK. SCREW	2
75	1615 5664 00	SCRAPER BOLT	4	310	0697 9810 27	PLUG	1
80	1604 2454 85	DOOR ASSY (For details see page 75)	1	315	0697 9809 22	LOCK NUT	1
90	1604 2477 82	PANEL ASSY (For details see page 76)	1	-	1079 0003 32	SILENCING FOAM 2000 mm x 1500 mm x 30 mm	
93	0147 1332 03	HEX. HEAD SCREW	3	-	1079 0001 91	SILENCING FOAM 2000 mm x 1500 mm x 40 mm	
95	1615 5664 00	SCRAPER BOLT	4	-	1079 0003 33	SILENCING FOAM 2000 mm x 1500 mm x 50 mm	
100	1604 2542 81	PANEL ASSY (For details see page 77)	1				
105	1615 5664 00	SCRAPER BOLT	4				
120	-	SILENCING FOAM	1				
180	1604 2658 81	BAFFLE ASSY (For details see page 78)	1				
185	1088 0810 14	GROMMET	4				
190	1604 2718 01	SUPPORT	1				
195	1615 5664 00	SCRAPER BOLT	2				
200	1604 2708 01	SPACER	1				



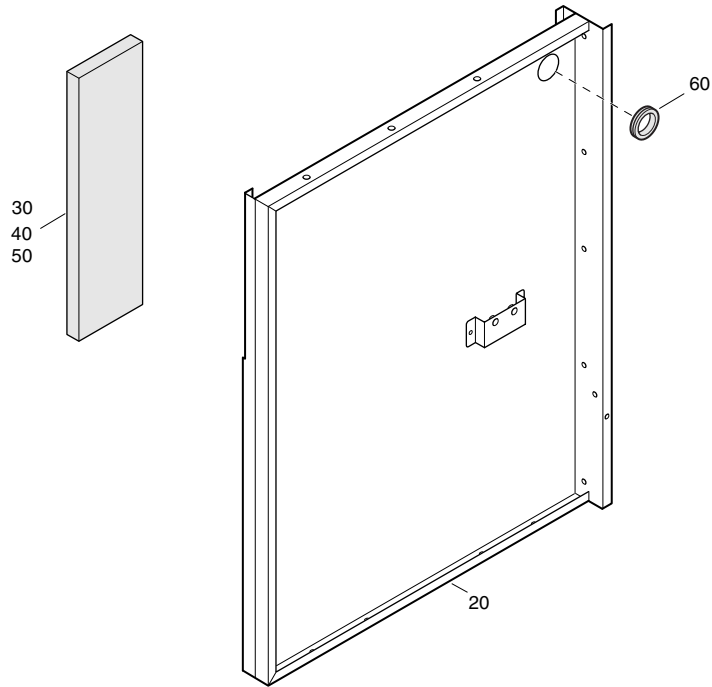
REF	PART NUMBER	DESIGNATION	QTY
30	1604 0128 00	CLAMP (AIRFILTER)	1
50	1604 2468 80	CORNER ASSY (For details see page 74)	1
55	1615 5664 00	SCRAPER BOLT	6
75	1615 5664 00	SCRAPER BOLT	4
90	1604 2477 82	PANEL ASSY (For details see page 76)	1
93	0147 1332 03	HEX. HEAD SCREW	3
95	1615 5664 00	SCRAPER BOLT	4
100	1604 2542 81	PANEL ASSY (For details see page 77)	1
105	1615 5664 00	SCRAPER BOLT	4
310	0697 9810 27	PLUG	1
315	0697 9809 22	LOCK NUT	1



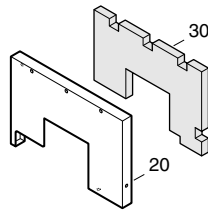
REF	PART NUMBER	DESIGNATION	QTY
-	1604 2468 80	CORNER ASSY	
•20	1604 2468 00	PANEL	1
•21	0686 9252 87	PLUG	2
•25	1604 3430 00	HINGE	2
•30	1615 5684 00	BRACKET	2
•35	0216 1324 03	HEX SOCK. SCREW	4
•40	0246 1956 35	STUD	4
•45	1619 1663 00	DOOR HOOK	1
•50	0129 3270 17	BLIND RIVET	2



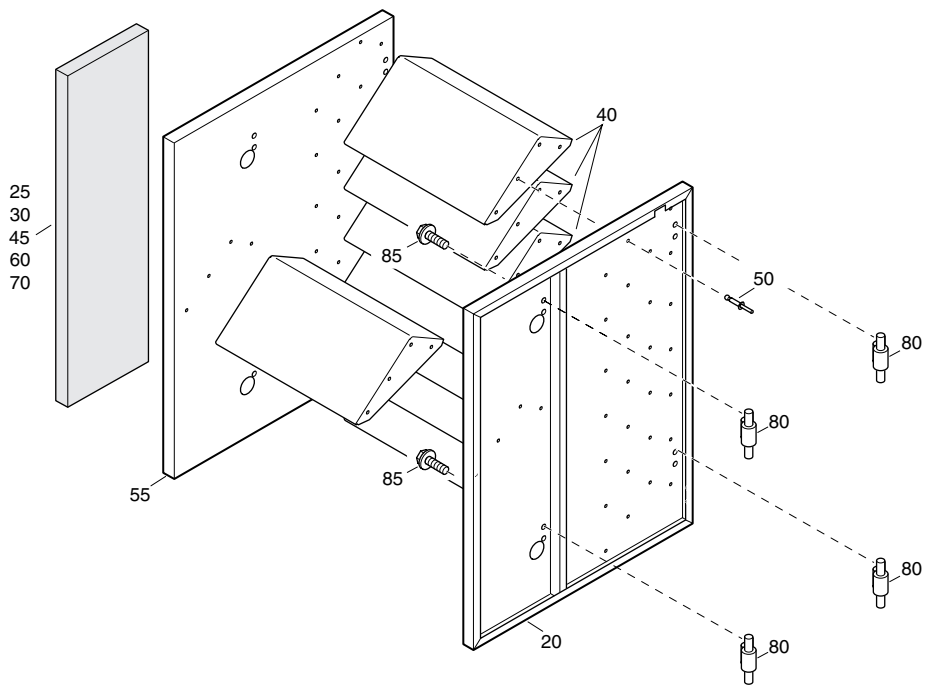
REF	PART NUMBER	DESIGNATION	QTY	REF	PART NUMBER	DESIGNATION	QTY
-	1604 2454 85	DOOR ASSY		-	1079 0003 32	SILENCING FOAM 2000 mm x 1500 mm x 30 mm	
•20	1604 2454 01	DOOR	1	-	1079 0001 91	SILENCING FOAM 2000 mm x 1500 mm x 40 mm	
•25	1619 6858 00	SEAL	AR	-	1079 0003 33	SILENCING FOAM 2000 mm x 1500 mm x 50 mm	
•30	-	SILENCING FOAM	1				
•40	-	SILENCING FOAM	1				
•50	-	SILENCING FOAM	1				
•60	1619 2665 00	SEAL	AR				
•70	1604 2467 00	SUPPORT	4				
•80	1615 5664 00	SCRAPER BOLT	8				
•90	1604 3429 00	HINGE	2				
•100	1615 5684 00	BRACKET	2				
•110	0216 1324 03	HEX SOCK. SCREW	4				
•120	1604 2519 01	LOCK	2				
•122	1604 3743 00	LATCH	2				
•130	1619 1663 00	DOOR HOOK	1				
•140	0129 3270 17	BLIND RIVET	2				
•150	0686 9252 87	PLUG	2				



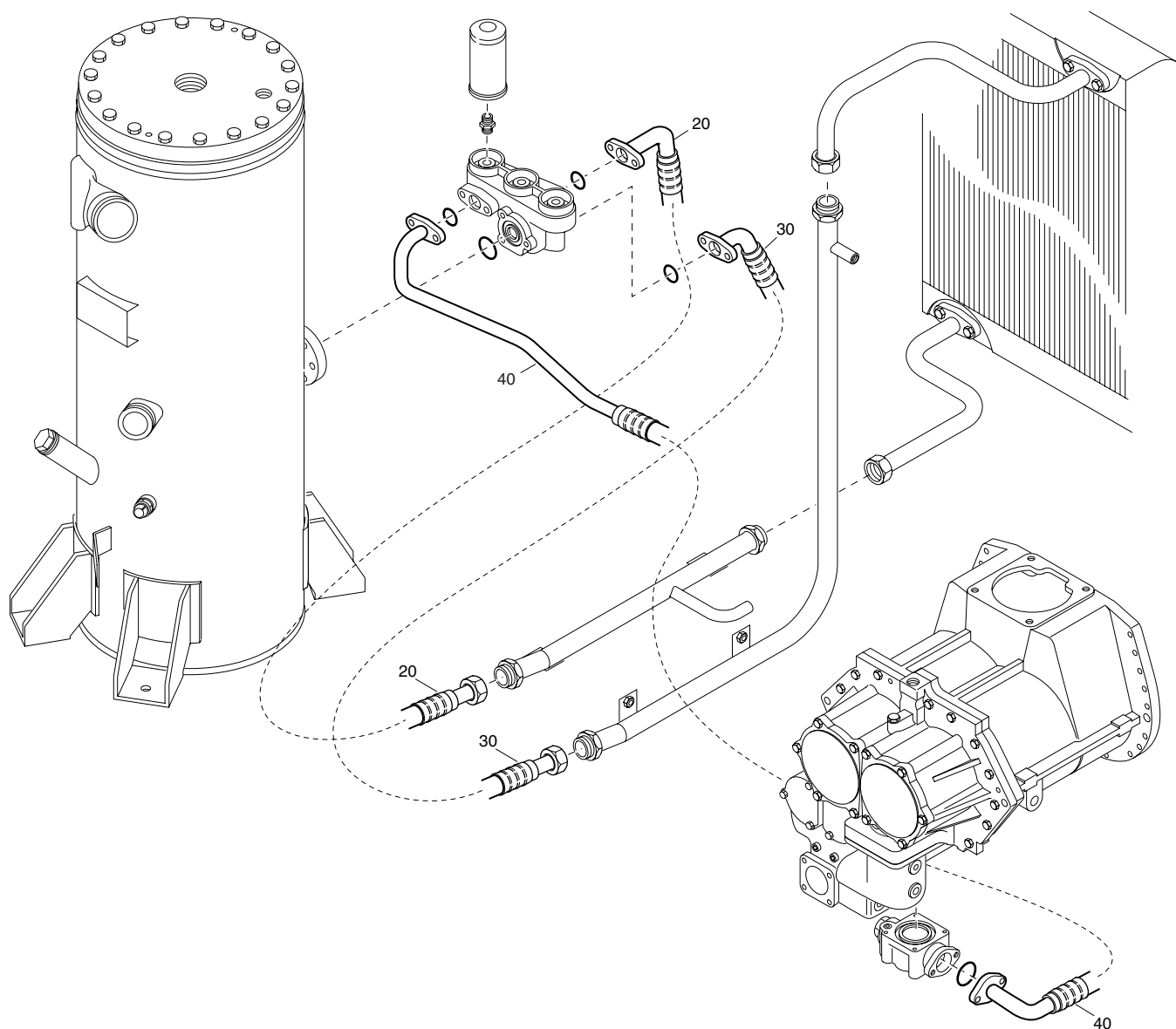
REF	PART NUMBER	DESIGNATION	QTY
-	1604 2477 82	PANEL ASSY	1
•20	1604 2477 02	PLATE	1
•30	-	SILENCING FOAM	1
•40	-	SILENCING FOAM	1
•50	-	SILENCING FOAM	1
•60	1604 0383 00	SEAL (OIL SEPARATOR)	1
-	1079 0003 32	SILENCING FOAM 2000 mm x 1500 mm x 30 mm	
-	1079 0001 91	SILENCING FOAM 2000 mm x 1500 mm x 40 mm	
-	1079 0003 33	SILENCING FOAM 2000 mm x 1500 mm x 50 mm	



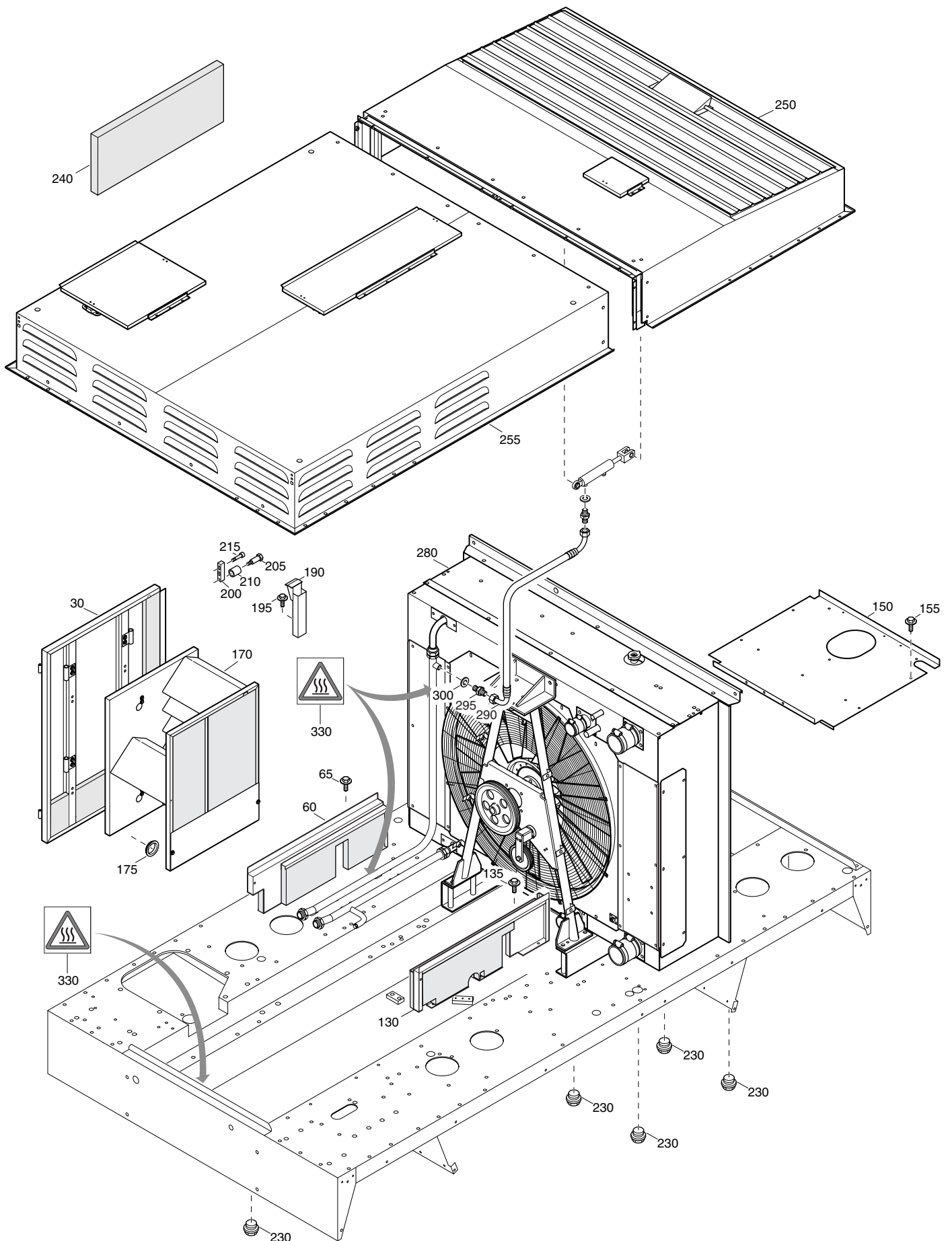
REF	PART NUMBER	DESIGNATION	QTY
-	1604 2542 81	PANEL ASSY	1
•20	1604 2542 01	PLATE	1
•30	-	SILENCING FOAM	1
-	1079 0003 32	SILENCING FOAM 2000 mm x 1500 mm x 30 mm	
-	1079 0001 91	SILENCING FOAM 2000 mm x 1500 mm x 40 mm	
-	1079 0003 33	SILENCING FOAM 2000 mm x 1500 mm x 50 mm	



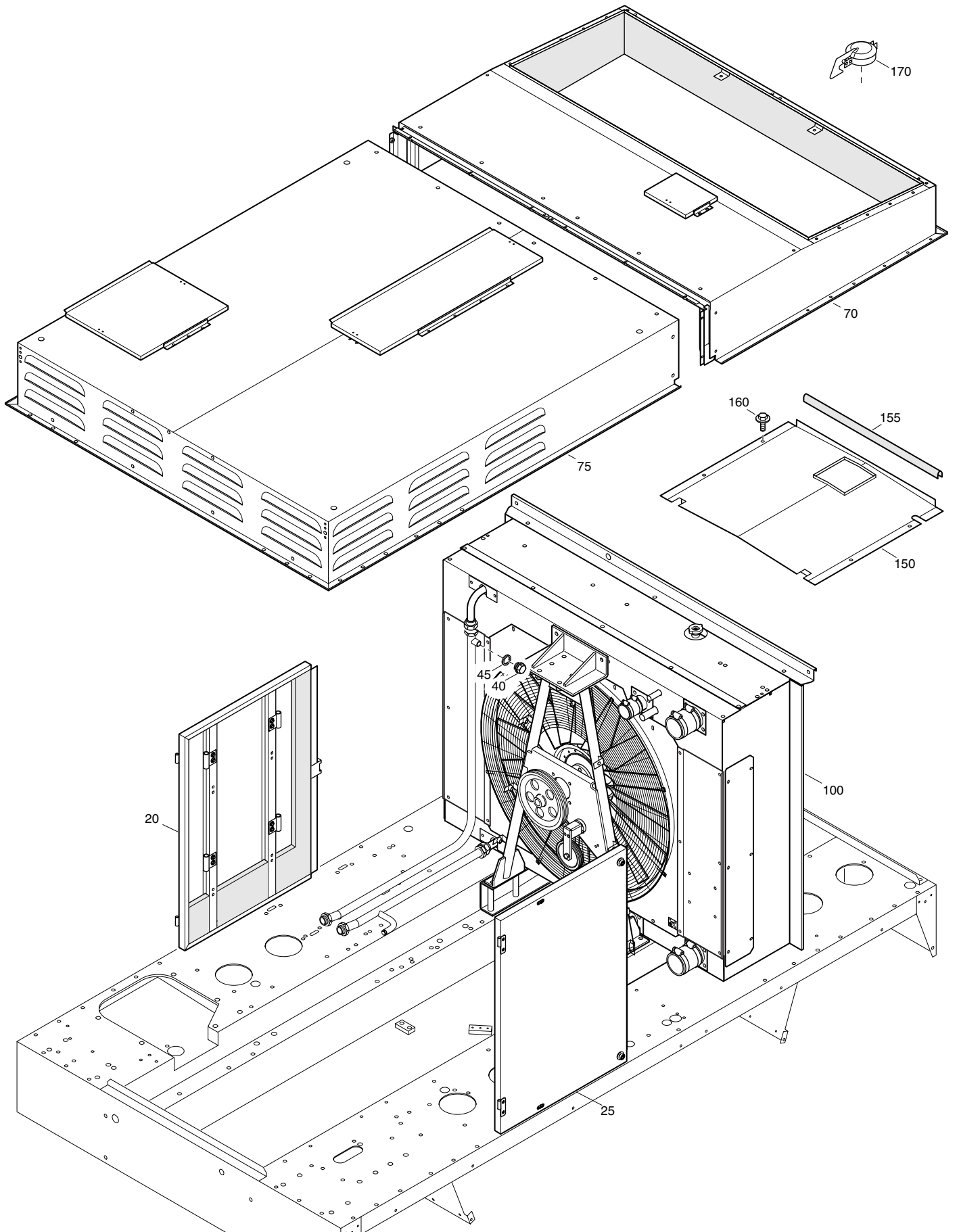
REF	PART NUMBER	DESIGNATION	QTY
-	1604 2658 81	BAFFLE ASSY	
•20	1604 2658 01	PANEL	1
•25	-	SILENCING FOAM	1
•30	-	SILENCING FOAM	1
•40	1604 2523 00	BAFFLE	8
•45	-	SILENCING FOAM	8
•50	0129 3270 30	BLIND RIVET	64
•55	1604 2659 00	PANEL	1
•60	-	SILENCING FOAM	1
•70	-	SILENCING FOAM	1
•80	1604 3434 00	SUPPORT	4
•85	1615 5664 00	SCRAPER BOLT	8
-	1079 0003 32	SILENCING FOAM 2000 mm x 1500 mm x 30 mm	
-	1079 0001 91	SILENCING FOAM 2000 mm x 1500 mm x 40 mm	
-	1079 0003 33	SILENCING FOAM 2000 mm x 1500 mm x 50 mm	



REF	PART NUMBER	DESIGNATION	QTY
20	1604 2459 02	HOSE ASSEMBLY	1
30	1604 2462 01	HOSE ASSEMBLY	1
40	1604 2458 04	HOSE ASSEMBLY	1

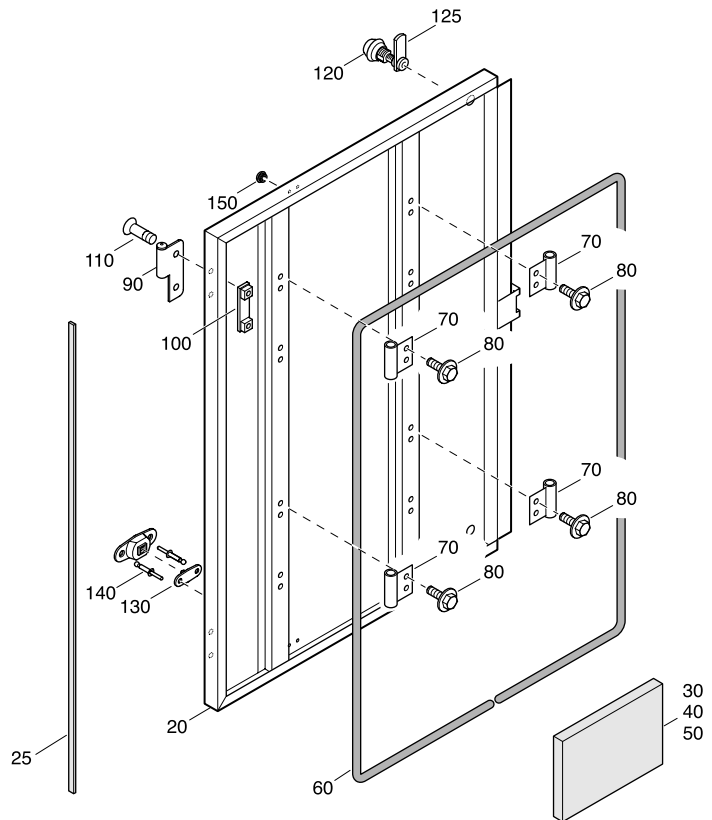
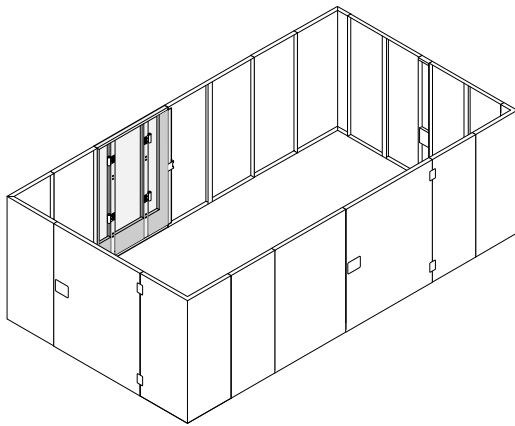


REF	PART NUMBER	DESIGNATION	QTY
30	1604 2454 84	DOOR ASSY (For details see page 84)	1
60	1604 2475 85	PANEL ASSY (For details see page 85)	1
65	1615 5664 00	HEX. HEAD SCREW	3
130	1604 3548 84	PANEL ASSY (For details see page 86)	1
135	1615 5664 00	HEX. HEAD SCREW	3
150	1604 2453 03	PLATE	1
155	1615 5664 00	HEX. HEAD SCREW	4
170	1604 2659 81	BAFFLE ASSY (For details see page 87)	1
175	1088 0810 14	GROMMET	4
190	1604 2718 01	SUPPORT	1
195	1615 5664 00	HEX. HEAD SCREW	2
200	1604 2708 01	SPACER	1
205	1604 2705 00	SHAFT	2
210	1604 2703 00	BUSHING	2
215	0211 1326 00	HEX SOCK. SCREW	2
230	1613 2655 00	PLUG	5
240	-	SILENCING FOAM	1
250	1604 2517 86	ROOF ASSY FRONT OND (For details see page 90)	1
255	1604 2493 83	ROOF ASSY REAR OND (For details see page 96)	1
280	1604 2667 81	COOL.& FANDR. ASSY-OM926HP OND (For details see page 100)	1
290	0574 9914 17	HOSE ASSEMBLY	1
295	1079 5840 07	HEXAGON NIPPLE	1
300	0661 1026 00	SEALING WASHER	1
330	1079 9922 08	INFORMATION LABEL	3
-	1079 0003 32	SILENCING FOAM 2000 mm x 1500 mm x 30 mm	
-	1079 0001 91	SILENCING FOAM 2000 mm x 1500 mm x 40 mm	
-	1079 0003 33	SILENCING FOAM 2000 mm x 1500 mm x 50 mm	

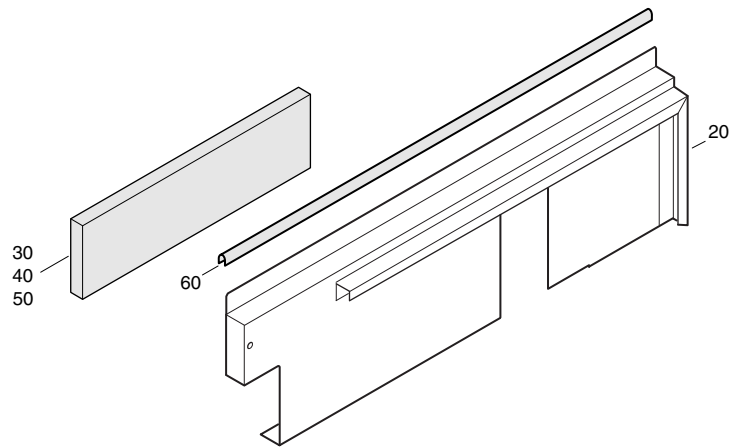


---

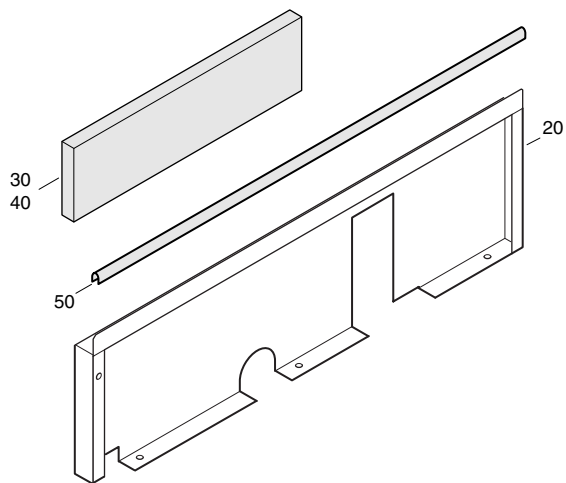
REF	PART NUMBER	DESIGNATION	QTY
20	1604 2454 86	DOOR ASSY (For details see page 88)	1
25	1604 2454 87	DOOR ASSY (For details see page 89)	1
40	0686 3716 30	HEXAGON PLUG	1
45	0653 1100 00	FLAT GASKET	1
70	1604 2517 92	ROOF ASSY FRONT (For details see page 91)	1
75	1604 4212 83	ROOF ASSY REAR (For details see page 94)	1
100	1604 3631 81	COOL&FAN.ASSY (For details see page 101)	1
150	1604 4497 01	COVER	1
155	1202 5211 00	SEAL	AR
160	1615 5664 00	SCRAPER BOLT	4
170	1615 6189 01	EXHAUST COVER	1



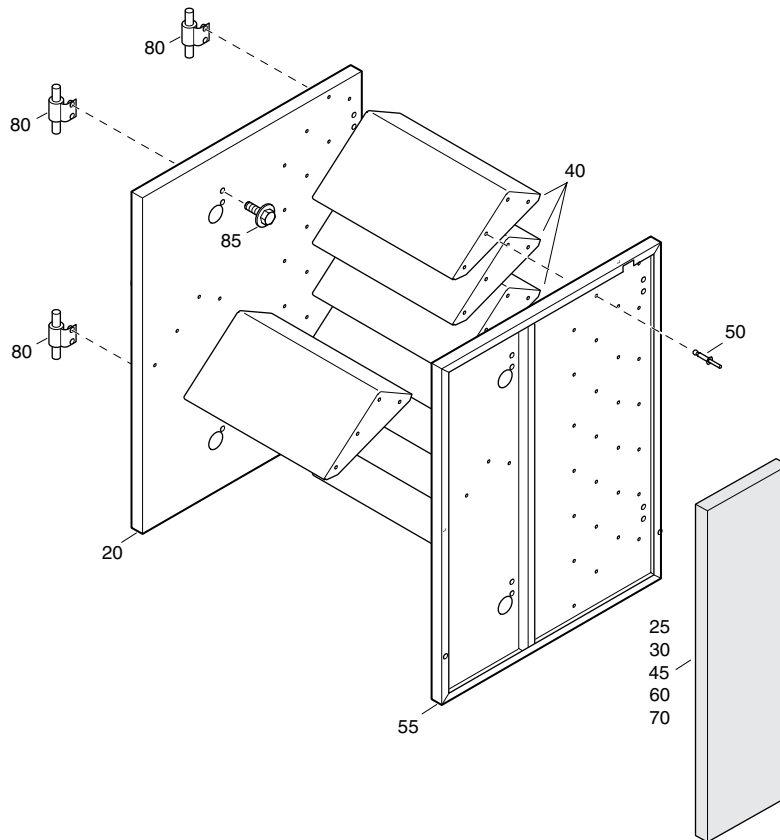
REF	PART NUMBER	DESIGNATION	QTY	REF	PART NUMBER	DESIGNATION	QTY
-	1604 2454 84	DOOR ASSY		-	1079 0003 32	SILENCING FOAM 2000 mm x 1500 mm x 30 mm	
•20	1604 2454 01	DOOR	1	-	1079 0001 91	SILENCING FOAM 2000 mm x 1500 mm x 40 mm	
•25	1619 6858 00	SEAL	AR	-	1079 0003 33	SILENCING FOAM 2000 mm x 1500 mm x 50 mm	
•30	-	SILENCING FOAM	1				
•40	-	SILENCING FOAM	1				
•50	-	SILENCING FOAM	1				
•60	1619 2665 00	SEAL	AR				
•70	1604 2467 00	SUPPORT	4				
•80	1615 5664 00	SCRAPER BOLT	8				
•90	1604 3431 00	HINGE	2				
•100	1615 5684 00	BRACKET	2				
•110	0216 1324 03	HEX SOCK. SCREW	4				
•120	1604 2519 01	LOCK	2				
•125	1604 3743 00	LATCH	2				
•130	1619 1663 00	DOOR HOOK	1				
•140	0129 3270 17	BLIND RIVET	2				
•150	0686 9252 87	PLUG	2				



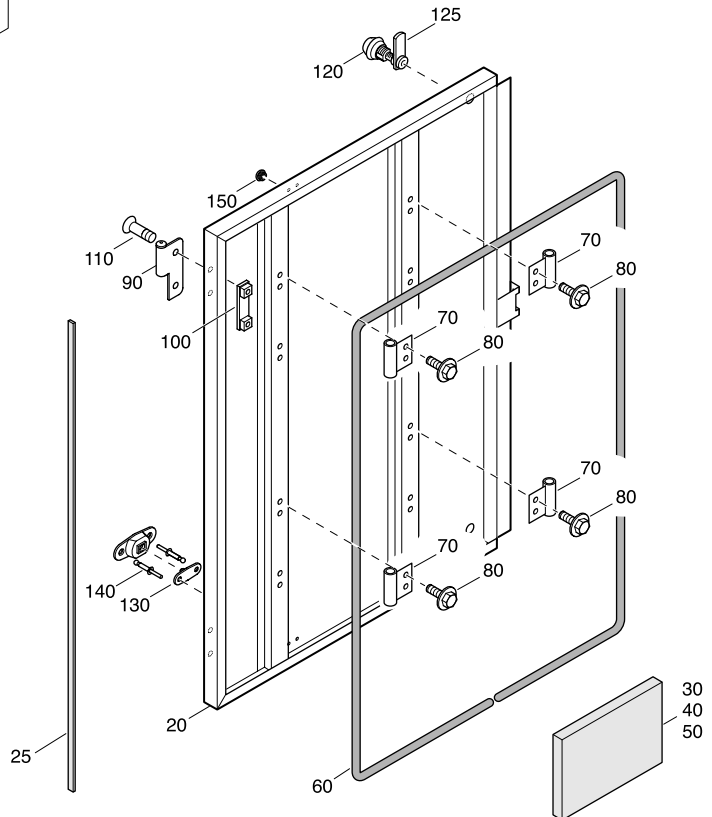
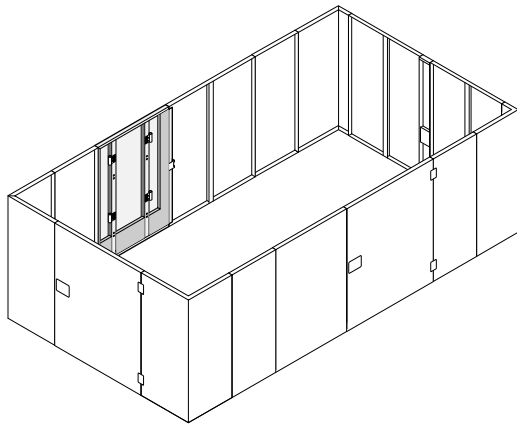
REF	PART NUMBER	DESIGNATION	QTY
-	1604 2475 85	PANEL ASSY	
•20	1604 2475 04	PANEL	1
•30	-	SILENCING FOAM	1
•40	-	SILENCING FOAM	1
•50	-	SILENCING FOAM	1
•60	1503 1056 00	SEAL	AR
-	1079 0003 32	SILENCING FOAM 2000 mm x 1500 mm x 30 mm	
-	1079 0001 91	SILENCING FOAM 2000 mm x 1500 mm x 40 mm	
-	1079 0003 33	SILENCING FOAM 2000 mm x 1500 mm x 50 mm	



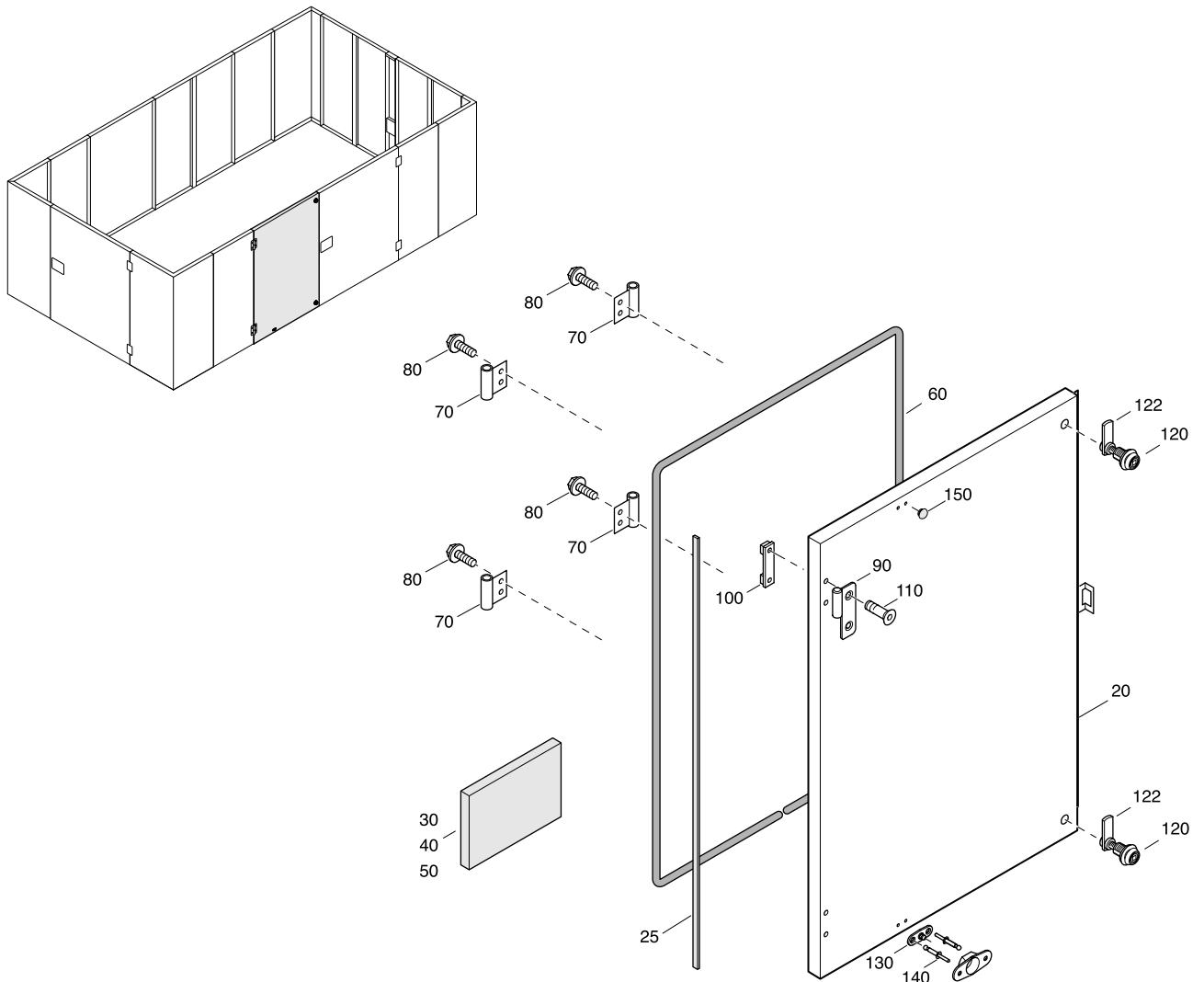
REF	PART NUMBER	DESIGNATION	QTY
-	1604 3548 84	PANEL ASSY	
•20	1604 3548 04	PANEL	1
•30	-	SILENCING FOAM	1
•40	-	SILENCING FOAM	1
•50	1619 2665 00	SEAL	AR
-	1079 0003 32	SILENCING FOAM 2000 mm x 1500 mm x 30 mm	
-	1079 0001 91	SILENCING FOAM 2000 mm x 1500 mm x 40 mm	
-	1079 0003 33	SILENCING FOAM 2000 mm x 1500 mm x 50 mm	



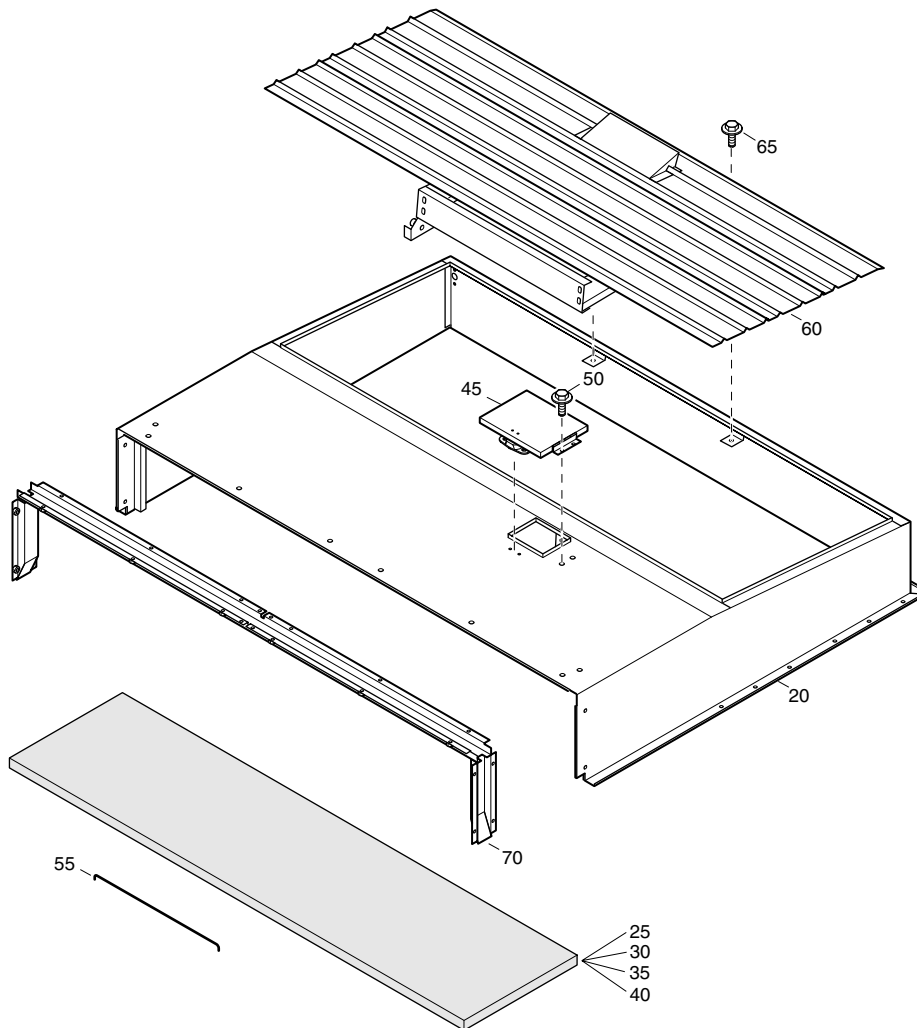
REF	PART NUMBER	DESIGNATION	QTY
-	1604 2659 81	BAFFLE ASSY	
•20	1604 2659 01	PANEL	1
•25	-	SILENCING FOAM	1
•30	-	SILENCING FOAM	1
•40	1604 2523 00	BAFFLE	8
•45	-	SILENCING FOAM	8
•50	0129 3270 30	BLIND RIVET	64
•55	1604 2658 00	PANEL	1
•60	-	SILENCING FOAM	1
•70	-	SILENCING FOAM	1
•80	1604 3434 00	SUPPORT	4
•85	1615 5664 00	SCRAPER BOLT	8
-	1079 0003 32	SILENCING FOAM 2000 mm x 1500 mm x 30 mm	
-	1079 0001 91	SILENCING FOAM 2000 mm x 1500 mm x 40 mm	
-	1079 0003 33	SILENCING FOAM 2000 mm x 1500 mm x 50 mm	



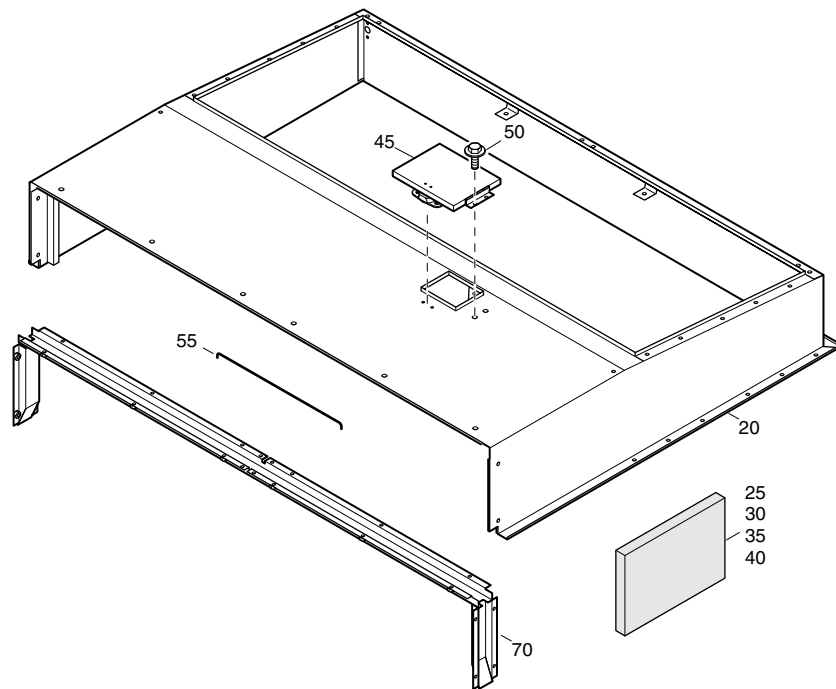
REF	PART NUMBER	DESIGNATION	QTY	REF	PART NUMBER	DESIGNATION	QTY
-	1604 2454 86	DOOR ASSY		-	1079 0003 32	SILENCING FOAM 2000 mm x 1500 mm x 30 mm	
•20	1604 2454 01	DOOR	1	-	1079 0001 91	SILENCING FOAM 2000 mm x 1500 mm x 40 mm	
•25	1619 6858 00	SEAL	AR	-	1079 0003 33	SILENCING FOAM 2000 mm x 1500 mm x 50 mm	
•30	-	SILENCING FOAM	1				
•40	-	SILENCING FOAM	1				
•50	-	SILENCING FOAM	1				
•60	1619 2665 00	SEAL	AR				
•70	1604 2467 00	SUPPORT	4				
•80	1615 5664 00	SCRAPER BOLT	8				
•90	1604 3431 00	HINGE	2				
•100	1615 5684 00	BRACKET	2				
•110	0216 1324 03	HEX SOCK. SCREW	4				
•120	1604 2519 01	LOCK	2				
•125	1604 3743 00	LATCH	2				
•130	1619 1663 00	DOOR HOOK	1				
•140	0129 3270 17	BLIND RIVET	2				
•150	0686 9252 87	PLUG	2				



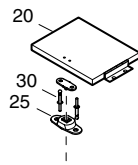
REF	PART NUMBER	DESIGNATION	QTY	REF	PART NUMBER	DESIGNATION	QTY
-	1604 2454 87	DOOR ASSY		-	1079 0003 32	SILENCING FOAM 2000 mm x 1500 mm x 30 mm	
•20	1604 2454 01	DOOR	1	-	1079 0001 91	SILENCING FOAM 2000 mm x 1500 mm x 40 mm	
•25	1619 6858 00	SEAL	AR	-	1079 0003 33	SILENCING FOAM 2000 mm x 1500 mm x 50 mm	
•30	-	SILENCING FOAM	1				
•40	-	SILENCING FOAM	1				
•50	-	SILENCING FOAM	1				
•60	1619 2665 00	SEAL	AR				
•70	1604 2467 00	SUPPORT	4				
•80	1615 5664 00	SCRAPER BOLT	8				
•90	1604 3429 00	HINGE	2				
•100	1615 5684 00	BRACKET	2				
•110	0216 1324 03	HEX SOCK. SCREW	4				
•120	1604 2519 01	LOCK	2				
•122	1604 3743 00	LATCH	2				
•130	1619 1663 00	DOOR HOOK	1				
•140	0129 3270 17	BLIND RIVET	2				
•150	0686 9252 87	PLUG	2				



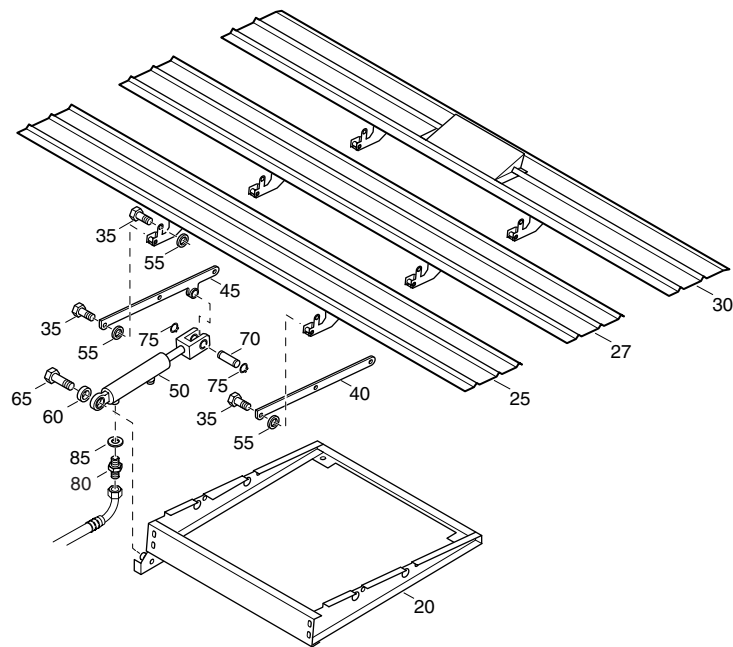
REF	PART NUMBER	DESIGNATION	QTY
-	1604 2517 86	ROOF ASSY FRONT	
•20	1604 2517 03	ROOF	1
•25	-	SILENCING FOAM	1
•30	-	SILENCING FOAM	1
•35	-	SILENCING FOAM	1
•40	-	SILENCING FOAM	1
•45	1604 2518 81	COVER ASSY	1
		(For details see page 92)	
•50	1604 3423 00	SCRAPER BOLT	2
•55	1604 3414 00	RETAINER	3
•60	1604 2697 83	ROOF ASSY	1
		(For details see page 93)	
•65	1604 3423 00	SCRAPER BOLT	12
•70	1604 3412 02	BEAM	1
-	1079 0003 32	SILENCING FOAM 2000 mm x 1500 mm x 30 mm	
-	1079 0001 91	SILENCING FOAM 2000 mm x 1500 mm x 40 mm	
-	1079 0003 33	SILENCING FOAM 2000 mm x 1500 mm x 50 mm	



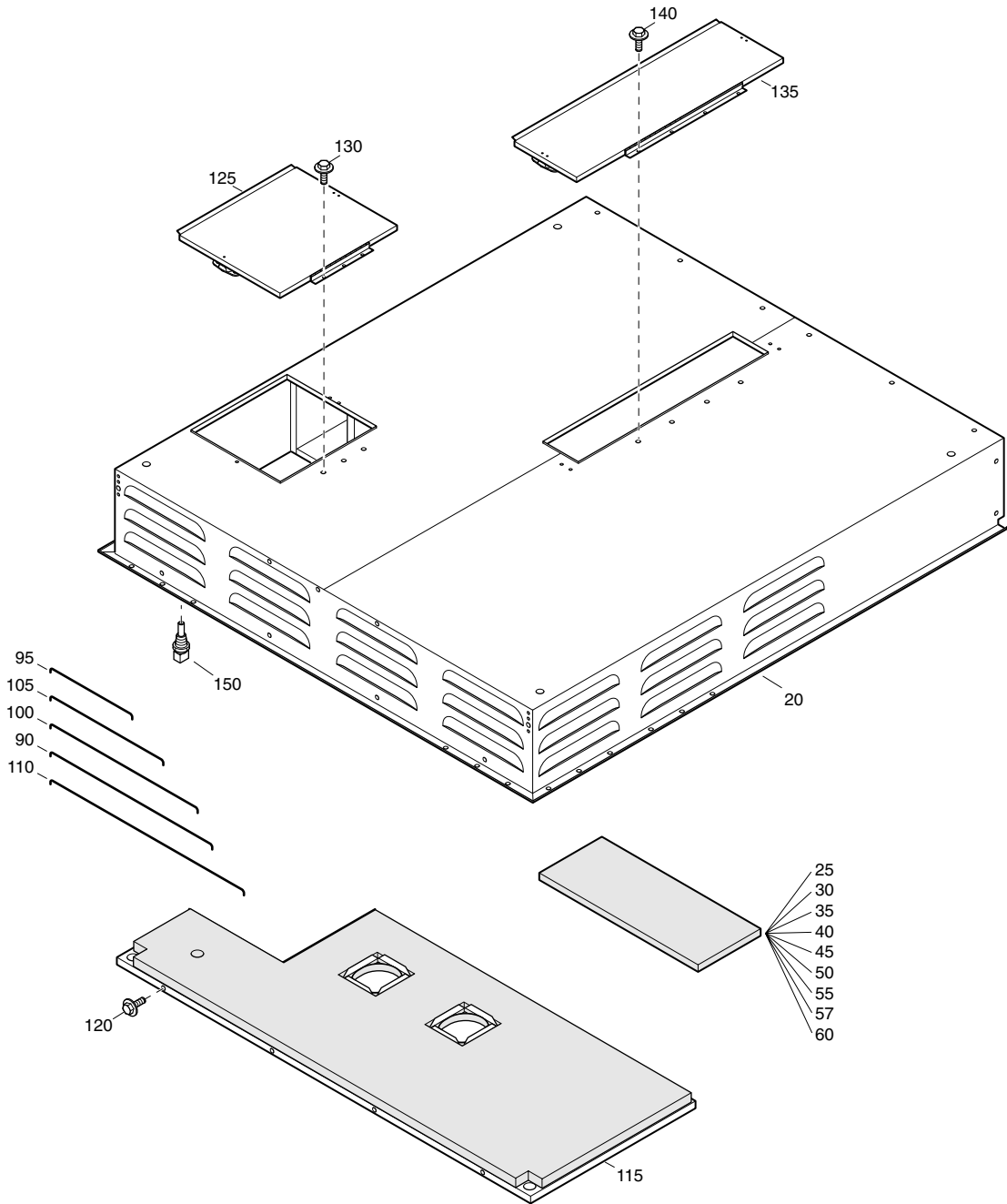
REF	PART NUMBER	DESIGNATION	QTY
20	1604 2517 04	ROOF	1
25	-	SILENCING FOAM	1
30	-	SILENCING FOAM	1
35	-	SILENCING FOAM	1
40	-	SILENCING FOAM	1
45	1604 2518 81	COVER ASSY (For details see page 92)	1
50	1604 3423 00	SCRAPER BOLT	2
55	1604 3414 00	RETAINER	3
70	1604 3412 02	BEAM	1
-	1079 0003 32	SILENCING FOAM 2000 mm x 1500 mm x 30 mm	
-	1079 0001 91	SILENCING FOAM 2000 mm x 1500 mm x 40 mm	
-	1079 0003 33	SILENCING FOAM 2000 mm x 1500 mm x 50 mm	



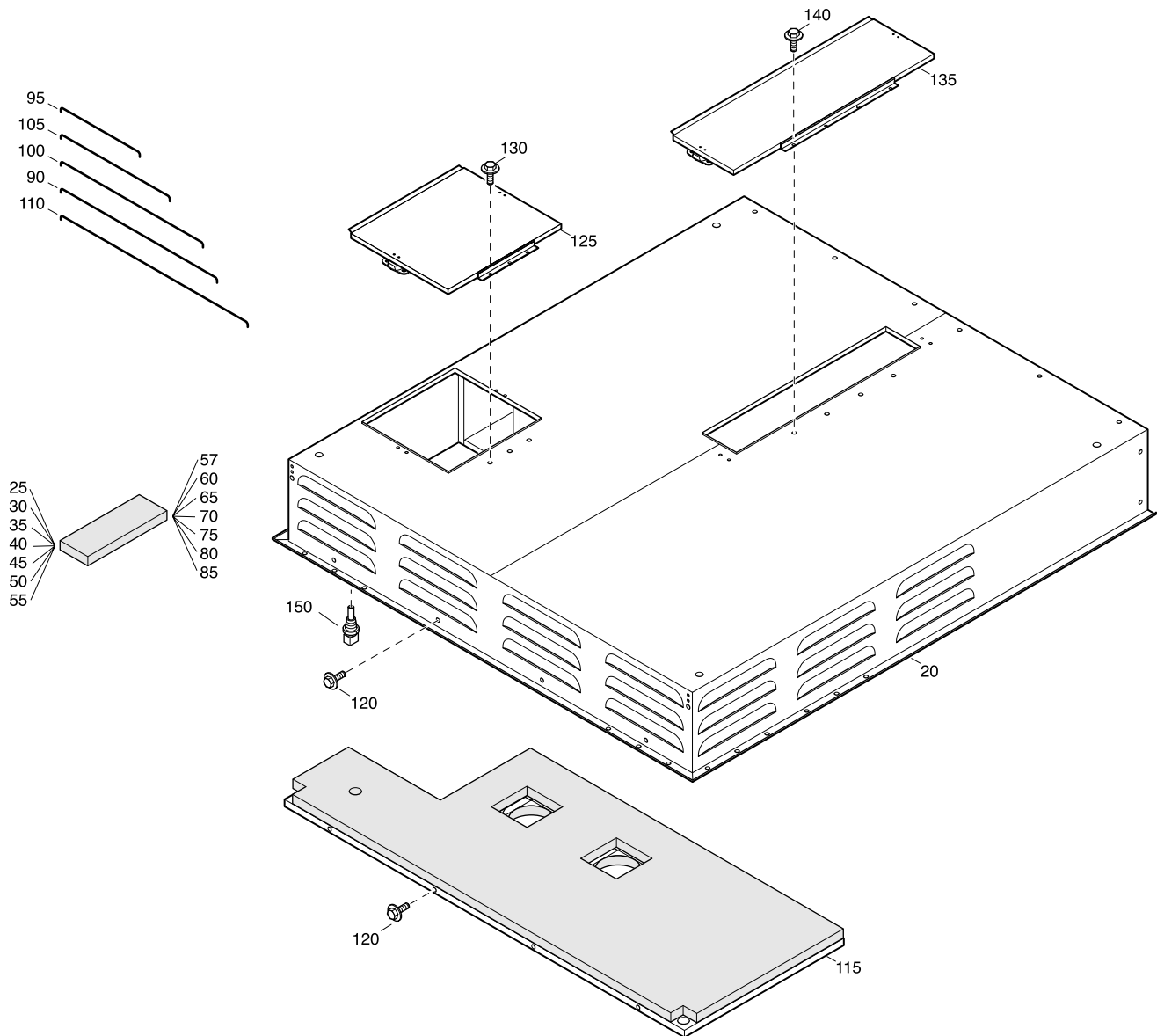
REF	PART NUMBER	DESIGNATION	QTY
-	1604 2518 81	COVER ASSY	1
•20	1604 2518 01	COVER	1
•25	1619 1663 00	DOOR HOOK	2
•30	0129 3270 17	BLIND RIVET	8



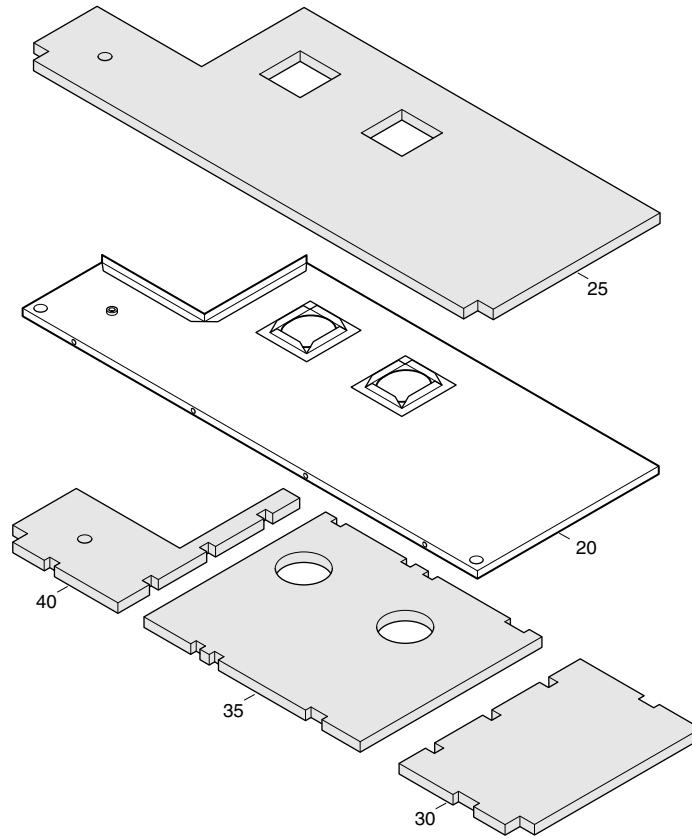
REF	PART NUMBER	DESIGNATION	QTY
-	1604 2697 83	ROOF ASSY	
•20	1604 2697 01	FRAME	1
•25	1604 2698 03	COVER	1
•27	1604 3733 02	COVER	1
•30	1604 3385 03	COVER	1
•35	1619 2766 00	BOLT	12
•40	1604 2702 01	BRACKET	1
•45	1604 2701 01	BRACKET	1
•50	1604 2699 01	CYLINDER	1
•55	1604 2553 00	BUSHING	12
•60	0303 1274 01	PLAIN WASHER	1
•65	1619 2766 00	BOLT	1
•70	1604 2700 00	PIVOT	1
•75	0335 1122 00	CIRCLIP	2
•80	1079 5840 07	HEXAGON NIPPLE	1
•85	0661 1026 00	SEALING WASHER	1



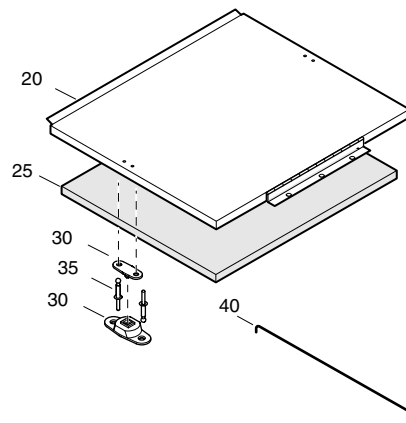
REF	PART NUMBER	DESIGNATION	QTY
-	1604 4212 83	ROOF ASSY REAR	
•20	1604 4212 03	ROOF	1
•25	-	SILENCING FOAM	1
•30	-	SILENCING FOAM	7
•35	-	SILENCING FOAM	1
•40	-	SILENCING FOAM	2
•45	-	SILENCING FOAM	4
•50	-	SILENCING FOAM	1
•55	-	SILENCING FOAM	2
•57	-	SILENCING FOAM	2
•60	-	SILENCING FOAM	2
•90	1604 3413 00	RETAINER	9
•95	1604 3417 00	RETAINER	6
•100	1604 3416 00	RETAINER	4
•105	1604 3414 00	RETAINER	2
•110	1604 3415 00	RETAINER	4
•115	1604 2498 81	ROOF ASSY	1
		(For details see page 97)	
•120	1604 3423 00	SCRAPER BOLT	8
•125	1604 2515 82	DOOR ASSY	1
		(For details see page 98)	
•130	1615 5664 00	SCRAPER BOLT	3
•135	1604 2513 82	DOOR ASSY	1
		(For details see page 99)	
•140	1615 5664 00	SCRAPER BOLT	4
•150	1089 0574 40	TEMPERATURE SENSOR	1
-	1079 0003 32	SILENCING FOAM 2000 mm x 1500 mm x 30 mm	
-	1079 0001 91	SILENCING FOAM 2000 mm x 1500 mm x 40 mm	
-	1079 0003 33	SILENCING FOAM 2000 mm x 1500 mm x 50 mm	



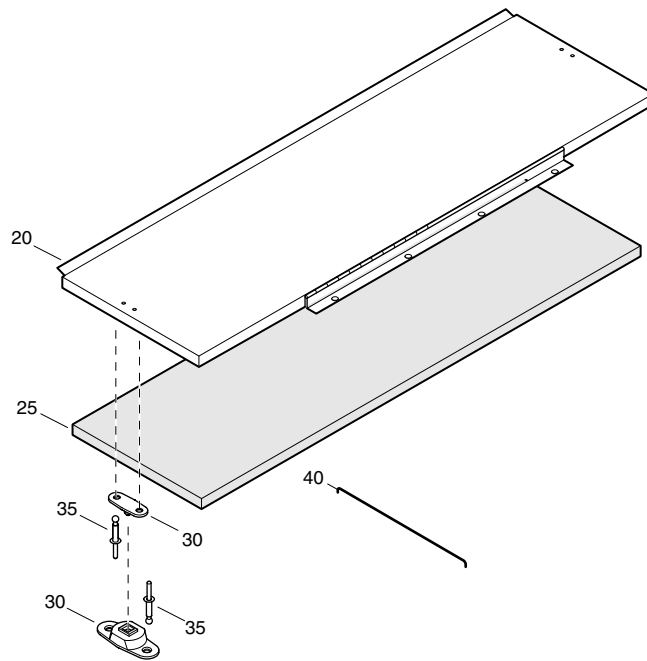
REF	PART NUMBER	DESIGNATION	QTY	REF	PART NUMBER	DESIGNATION	QTY
-	1604 2493 83	ROOF ASSY REAR		•125	1604 2515 82	DOOR ASSY (For details see page 98)	1
•20	1604 2493 03	ROOF REAR	1	•130	1615 5664 00	SCRAPER BOLT	3
•25	-	SILENCING FOAM	1	•135	1604 2513 82	DOOR ASSY (For details see page 99)	1
•30	-	SILENCING FOAM	7	•140	1615 5664 00	SCRAPER BOLT	4
•35	-	SILENCING FOAM	1	•150	1089 0574 40	TEMPERATURE SENSOR	1
•40	-	SILENCING FOAM	2	-	1079 0003 32	SILENCING FOAM 2000 mm x 1500 mm x 30 mm	
•45	-	SILENCING FOAM	4	-	1079 0001 91	SILENCING FOAM 2000 mm x 1500 mm x 40 mm	
•50	-	SILENCING FOAM	1	-	1079 0003 33	SILENCING FOAM 2000 mm x 1500 mm x 50 mm	
•55	-	SILENCING FOAM	2				
•57	-	SILENCING FOAM	2				
•60	-	SILENCING FOAM	2				
•65	-	SILENCING FOAM	2				
•70	-	SILENCING FOAM	2				
•75	-	SILENCING FOAM	2				
•80	-	SILENCING FOAM	1				
•85	-	SILENCING FOAM	2				
•90	1604 3413 00	RETAINER	9				
•95	1604 3417 00	RETAINER	6				
•100	1604 3416 00	RETAINER	4				
•105	1604 3414 00	RETAINER	2				
•110	1604 3415 00	RETAINER	4				
•115	1604 2498 81	ROOF ASSY (For details see page 97)	1				
•120	1604 3423 00	SCRAPER BOLT	8				



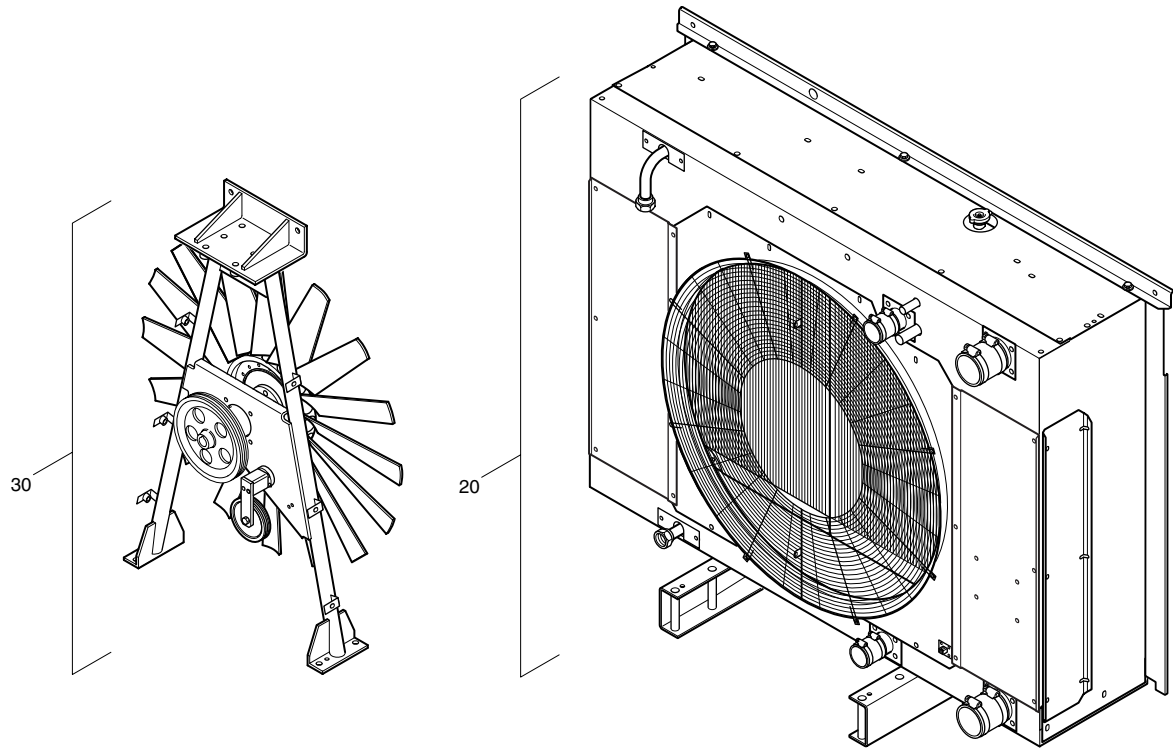
REF	PART NUMBER	DESIGNATION	QTY
	1604 2498 81	ROOF ASSY	1
•20	1604 2498 01	ROOF (INNER RIGHT)	1
•25	-	SILENCING FOAM	1
•30	-	SILENCING FOAM	1
•35	-	SILENCING FOAM	1
•40	-	SILENCING FOAM	1
-	1079 0003 32	SILENCING FOAM 2000 mm x 1500 mm x 30 mm	
-	1079 0001 91	SILENCING FOAM 2000 mm x 1500 mm x 40 mm	
-	1079 0003 33	SILENCING FOAM 2000 mm x 1500 mm x 50 mm	



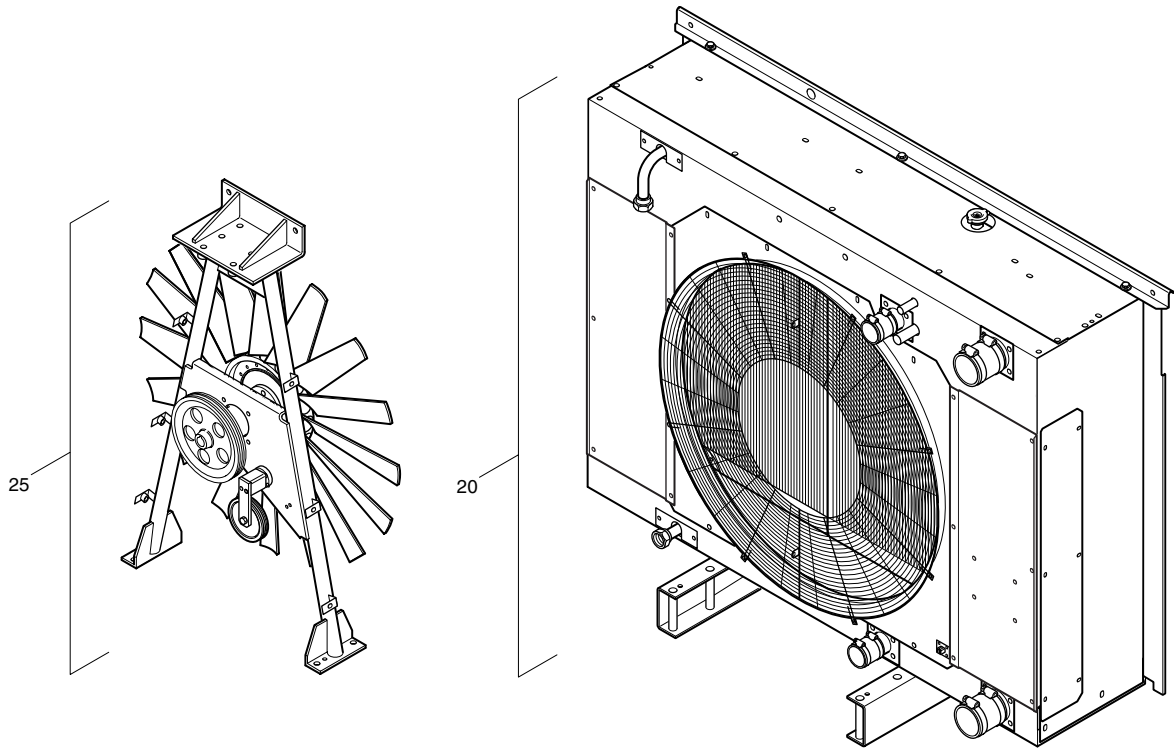
REF	PART NUMBER	DESIGNATION	QTY
-	1604 2515 82	DOOR ASSY	
•20	1604 2515 02	DOOR	1
•25	-	SILENCING FOAM	1
•30	1619 1663 00	DOOR HOOK	2
•35	0129 3270 17	BLIND RIVET	8
•40	1604 3414 00	RETAINER	1
-	1079 0003 32	SILENCING FOAM 2000 mm x 1500 mm x 30 mm	
-	1079 0001 91	SILENCING FOAM 2000 mm x 1500 mm x 40 mm	
-	1079 0003 33	SILENCING FOAM 2000 mm x 1500 mm x 50 mm	



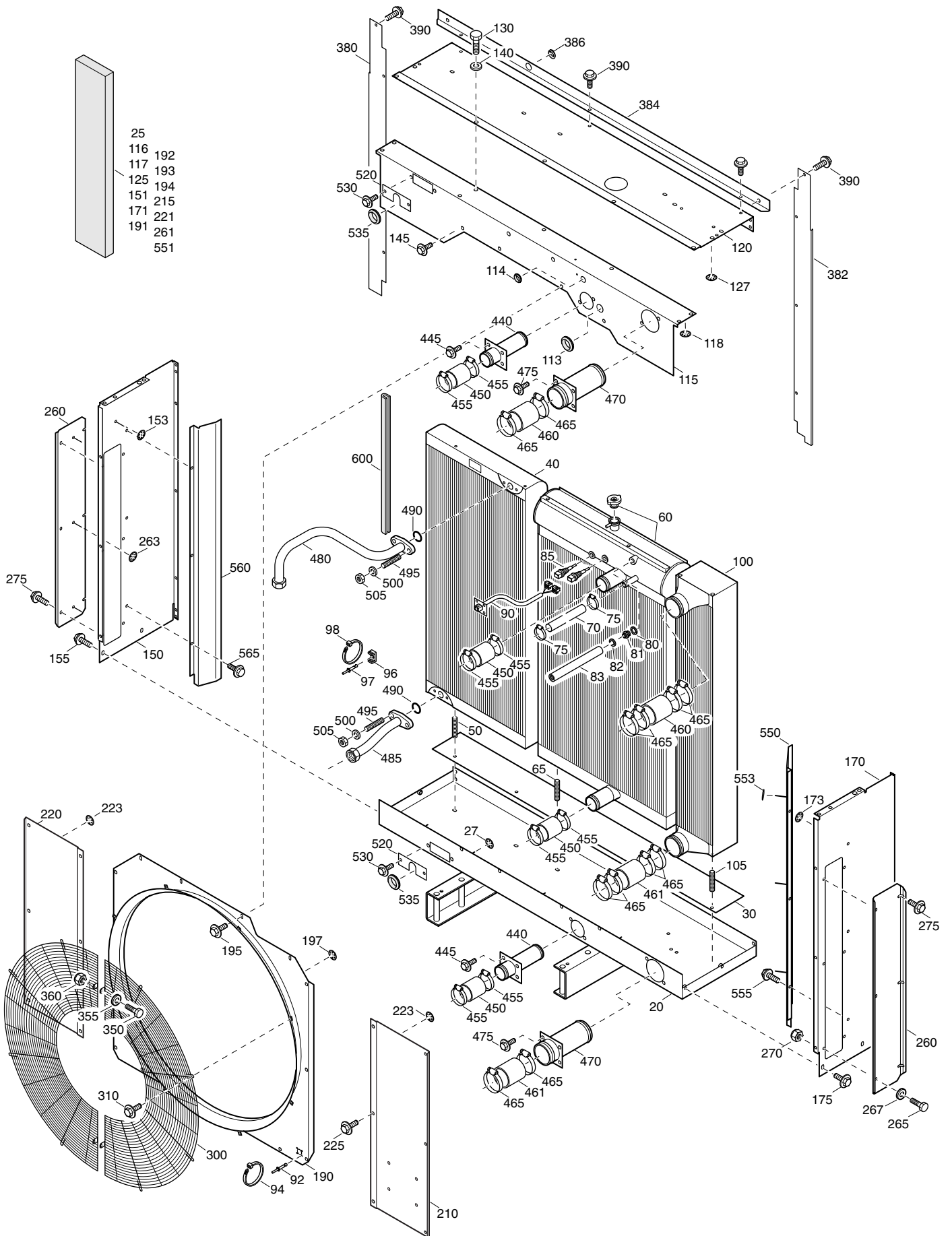
REF	PART NUMBER	DESIGNATION	QTY
-	1604 2513 82	DOOR ASSY	
•20	1604 2513 02	DOOR	1
•25	-	SILENCING FOAM	1
•30	1619 1663 00	DOOR HOOK	2
•35	0129 3270 17	BLIND RIVET	8
•40	1604 3413 00	RETAINER	1
-	1079 0003 32	SILENCING FOAM 2000 mm x 1500 mm x 30 mm	
-	1079 0001 91	SILENCING FOAM 2000 mm x 1500 mm x 40 mm	
-	1079 0003 33	SILENCING FOAM 2000 mm x 1500 mm x 50 mm	



REF	PART NUMBER	DESIGNATION	QTY
-	1604 2667 81	COOL.& FANDR. ASSY-OM926-C9 HP	
•20	1604 2676 80	COOLER ASSY OM926-C9 HP (For details see page 102)	1
•30	1604 2490 82	FANDRIVE ASSY MD-CD (For details see page 106)	1

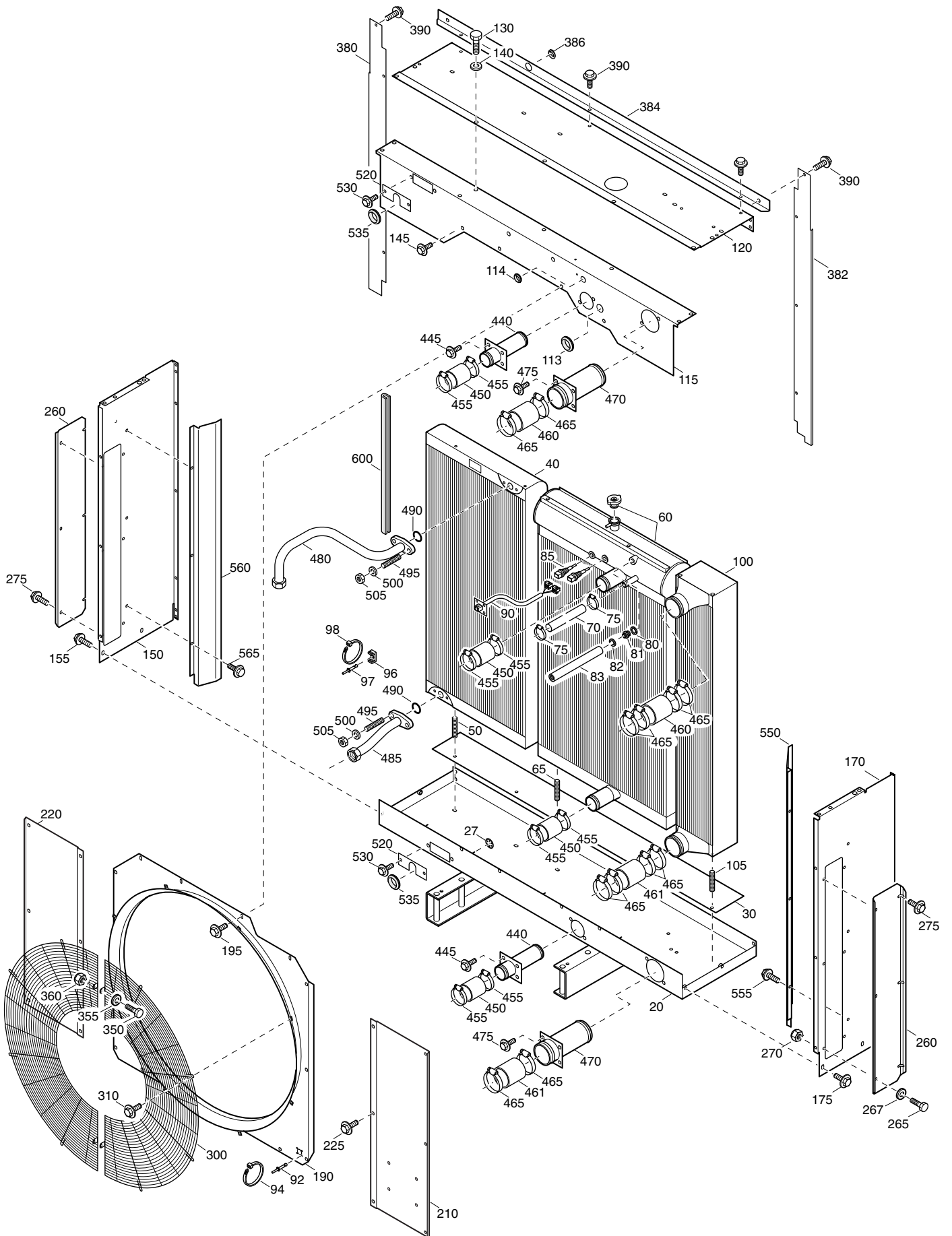


REF	PART NUMBER	DESIGNATION	QTY
-	1604 3631 81	COOL.& FANDR. ASSY OM926HP ROW	
•20	1604 3628 80	COOLER ASSY 926 HP ROW (For details see page 104)	1
•25	1604 2490 82	FANDRIVE ASSY MD-CD (For details see page 106)	1



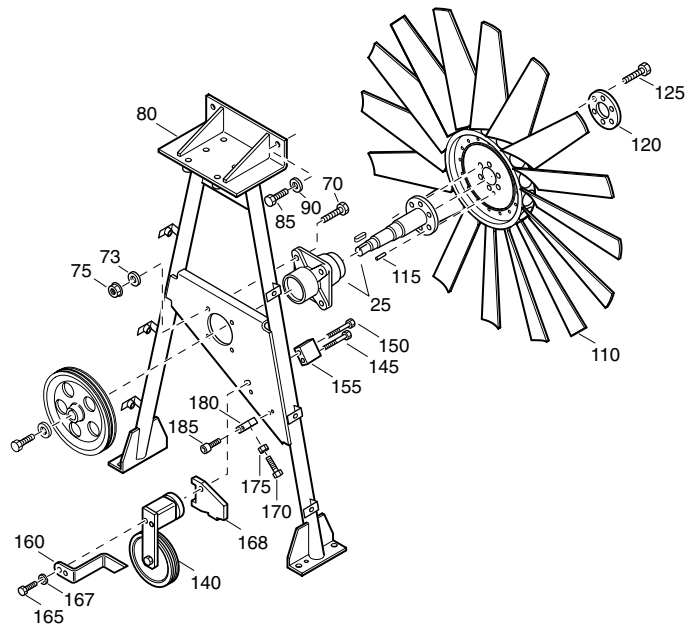
COOLER ASSEMBLY

REF	PART NUMBER	DESIGNATION	QTY	REF	PART NUMBER	DESIGNATION	QTY
-	1604 2676 80	COOLER ASSY OM926-C9 HP		•440	1604 2770 01	PIPE	2
•20	1604 2667 01	SUPPORT	1	•445	1615 5664 00	HEX. HEAD SCREW	4
•25	-	SILENCING FOAM	1	•450	2252 6291 01	HOSE	4
•27	1615 7884 00	CLIP	4	•455	0347 6100 21	HOSE CLAMP	8
•30	1604 2673 01	PAD	1	•460	1604 2786 02	HOSE	2
•40	1604 2679 02	OILCOOLER	1	•461	1604 2785 00	HOSE	2
•50	0196 1362 00	SET SCREW	2	•465	0347 6100 23	HOSE CLAMP	12
•60	1604 2676 02	RADIATOR	1	•470	1604 2769 01	PIPE	2
•65	0196 1362 00	SET SCREW	2	•475	1615 5664 00	HEX. HEAD SCREW	4
•70	0072 8403 39	HOSE	AR	•480	1604 2713 02	PIPE	1
•75	0347 6110 00	HOSE CLAMP	2	•485	1604 2716 02	PIPE	1
•80	0661 1033 00	SEALING WASHER	1	•490	0663 3131 00	O-RING	2
•81	1604 2772 00	NIPPLE	1	•495	0246 1956 42	STUD	4
•82	0661 1026 00	SEALING WASHER	1	•500	0333 3232 00	LOCK WASHER	4
•83	1604 2768 00	EXTENSION	1	•505	0266 2111 00	HEXAGON NUT	4
•85	1089 0568 16	LEVEL SWITCH	2	•520	1604 2771 01	PLATE	2
•90	1604 2812 01	WIRE	1	•530	1615 5664 00	HEX. HEAD SCREW	4
•92	0129 3115 00	BLIND RIVET	4	•535	1604 2496 00	GROMMET	2
•94	1088 1301 02	CABLE STRIP	5	•550	1604 2660 01	PLATE	1
•96	0348 0110 09	ANCHOR PLATE	4	•551	-	SILENCING FOAM	1
•97	0129 3115 00	BLIND RIVET	4	•553	1615 7884 00	CLIP	3
•98	1088 1301 02	CABLE STRIP	4	•555	1615 5664 00	HEX. HEAD SCREW	3
•100	1604 2677 01	INTERCOOLER	1	•560	1604 2661 01	PLATE	1
•105	0196 1362 00	SET SCREW	2	•565	1615 5664 00	HEX. HEAD SCREW	3
•113	1604 2496 00	GROMMET	1	•600	1619 5562 00	SEAL	AR
•114	1088 0801 40	GROMMET	1				
•115	1604 2672 02	BEAM	1	-	1079 0003 32	SILENCING FOAM 2000 mm x 1500 mm x 30 mm	
•116	-	SILENCING FOAM	1	-	1079 0001 91	SILENCING FOAM 2000 mm x 1500 mm x 40 mm	
•117	-	SILENCING FOAM	1	-	1079 0003 33	SILENCING FOAM 2000 mm x 1500 mm x 50 mm	
•118	1615 7884 00	CLIP	7				
•120	1604 2669 03	BEAM	1				
•125	-	SILENCING FOAM	1				
•127	1615 7884 00	CLIP	3				
•130	0147 1362 03	HEX. HEAD SCREW	6				
•140	0301 2344 00	PLAIN WASHER	6				
•145	1615 5664 00	HEX. HEAD SCREW	3				
•150	1604 2504 01	PLATE	1				
•151	-	SILENCING FOAM	1				
•153	1615 7884 00	CLIP	1				
•155	1615 5664 00	HEX. HEAD SCREW	9				
•170	1604 2503 01	PLATE	1				
•171	-	SILENCING FOAM	1				
•173	1615 7884 00	CLIP	1				
•175	1615 5664 00	HEX. HEAD SCREW	9				
•190	1604 2671 01	FAN COWL	1				
•191	-	SILENCING FOAM	1				
•192	-	SILENCING FOAM	1				
•193	-	SILENCING FOAM	1				
•194	-	SILENCING FOAM	1				
•195	1615 5664 00	HEX. HEAD SCREW	8				
•197	1615 7884 00	CLIP	8				
•210	1604 2797 01	PLATE	1				
•215	-	SILENCING FOAM	1				
•220	1604 2670 01	PLATE	1				
•221	-	SILENCING FOAM	1				
•223	1615 7884 00	CLIP	6				
•225	1615 5664 00	HEX. HEAD SCREW	12				
•260	1604 2707 01	COVER	2				
•261	-	SILENCING FOAM	2				
•263	1615 7884 00	CLIP	6				
•265	0147 1326 03	HEX. HEAD SCREW	6				
•267	0301 2335 00	PLAIN WASHER	6				
•270	0291 1110 00	LOCKNUT	6				
•275	1615 5664 00	HEX. HEAD SCREW	6				
•300	1604 2643 00	FAN GUARD	2				
•310	1615 5664 00	HEX. HEAD SCREW	8				
•350	0147 1323 03	HEX. HEAD SCREW	2				
•355	0301 2335 00	PLAIN WASHER	2				
•360	0291 1110 00	LOCKNUT	2				
•380	1604 2706 02	PLATE	1				
•382	1604 2666 01	PLATE	1				
•384	1604 2668 03	PLATE	1				
•386	1088 0801 33	GROMMET	1				
•390	1615 5664 00	HEX. HEAD SCREW	11				

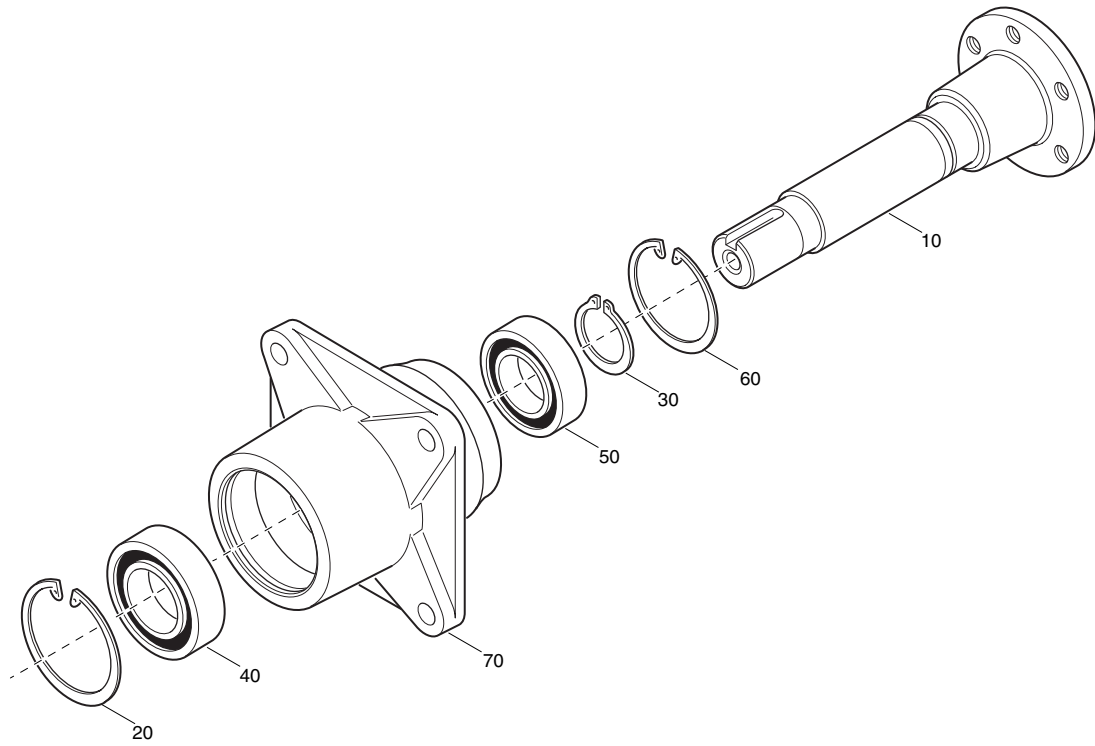


## COOLER ASSEMBLY

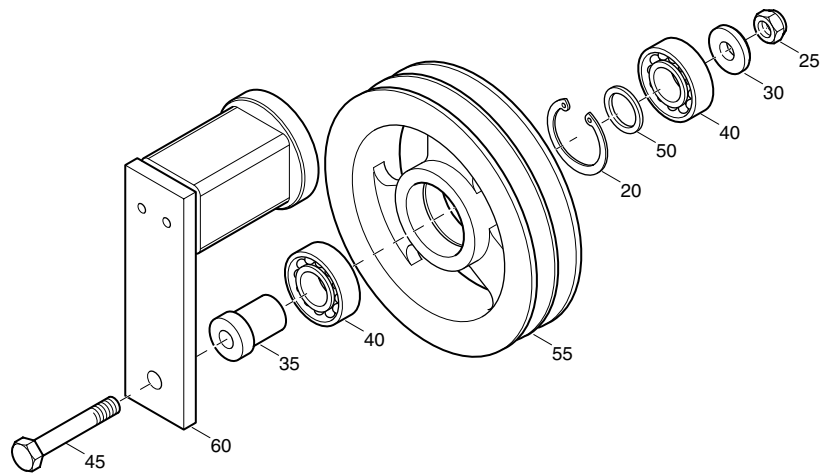
REF	PART NUMBER	DESIGNATION	QTY	REF	PART NUMBER	DESIGNATION	QTY
-	1604 3628 80	COOLER ASSY 926 HP ROW		•565	1615 5664 00	HEX. HEAD SCREW	3
•20	1604 3628 00	SUPPORT	1	•600	1619 5562 00	SEAL	AR
•30	1604 2673 01	PAD	1				
•40	1604 2679 02	OILCOOLER	1				
•50	0196 1362 00	SET SCREW	2				
•60	1604 2676 02	RADIATOR	1				
•65	0196 1362 00	SET SCREW	2				
•70	0072 8403 39	HOSE	AR				
•75	0347 6110 00	HOSE CLAMP	2				
•80	0661 1033 00	SEALING WASHER	1				
•81	1604 2772 00	NIPPLE	1				
•82	0661 1026 00	SEALING WASHER	1				
•83	1604 2768 00	EXTENSION	1				
•85	1089 0568 16	LEVEL SWITCH	2				
•90	1604 2812 01	WIRE	1				
•92	0129 3115 00	BLIND RIVET	4				
•94	1088 1301 02	CABLE STRIP	5				
•96	0348 0110 09	ANCHOR PLATE	4				
•97	0129 3115 00	BLIND RIVET	4				
•98	1088 1301 02	CABLE STRIP	4				
•100	1604 2677 01	INTERCOOLER	1				
•105	0196 1362 00	SET SCREW	2				
•113	1604 2496 00	GROMMET	1				
•114	1088 0801 40	GROMMET	1				
•115	1604 3632 00	BEAM	1				
•120	1604 3629 00	BEAM	1				
•130	0147 1362 03	HEX. HEAD SCREW	6				
•140	0301 2344 00	PLAIN WASHER	6				
•145	1615 5664 00	HEX. HEAD SCREW	3				
•150	1604 3624 00	PLATE	1				
•155	1615 5664 00	HEX. HEAD SCREW	9				
•170	1604 3623 00	PLATE	1				
•175	1615 5664 00	HEX. HEAD SCREW	9				
•190	1604 3631 00	FAN COWL	1				
•195	1615 5664 00	HEX. HEAD SCREW	8				
•210	1604 3636 00	PLATE	1				
•220	1604 3630 00	PLATE	1				
•225	1615 5664 00	HEX. HEAD SCREW	12				
•260	1604 3633 00	COVER	2				
•265	0147 1326 03	HEX. HEAD SCREW	6				
•267	0301 2335 00	PLAIN WASHER	6				
•270	0291 1110 00	LOCKNUT	6				
•275	1615 5664 00	HEX. HEAD SCREW	6				
•300	1604 2643 00	FAN GUARD	2				
•310	1615 5664 00	HEX. HEAD SCREW	8				
•350	0147 1323 03	HEX. HEAD SCREW	2				
•355	0301 2335 00	PLAIN WASHER	2				
•360	0291 1110 00	LOCKNUT	2				
•380	1604 2706 02	PLATE	1				
•382	1604 2666 01	PLATE	1				
•384	1604 2668 03	PLATE	1				
•386	1088 0801 33	GROMMET	1				
•390	1615 5664 00	HEX. HEAD SCREW	11				
•440	1604 2770 01	PIPE	2				
•445	1615 5664 00	HEX. HEAD SCREW	4				
•450	2252 6291 01	HOSE	4				
•455	0347 6100 21	HOSE CLAMP	8				
•460	1604 2786 02	HOSE	2				
•461	1604 2785 00	HOSE	2				
•465	0347 6100 23	HOSE CLAMP	12				
•470	1604 2769 01	PIPE	2				
•475	1615 5664 00	HEX. HEAD SCREW	4				
•480	1604 2713 02	PIPE	1				
•485	1604 2716 02	PIPE	1				
•490	0663 3131 00	O-RING	2				
•495	0246 1956 42	STUD	4				
•500	0333 3232 00	LOCK WASHER	4				
•505	0266 2111 00	HEXAGON NUT	4				
•520	1604 2771 01	PLATE	2				
•530	1615 5664 00	HEX. HEAD SCREW	4				
•535	1604 2496 00	GROMMET	2				
•550	1604 3627 00	PLATE	1				
•555	1615 5664 00	HEX. HEAD SCREW	3				
•560	1604 2661 01	PLATE	1				



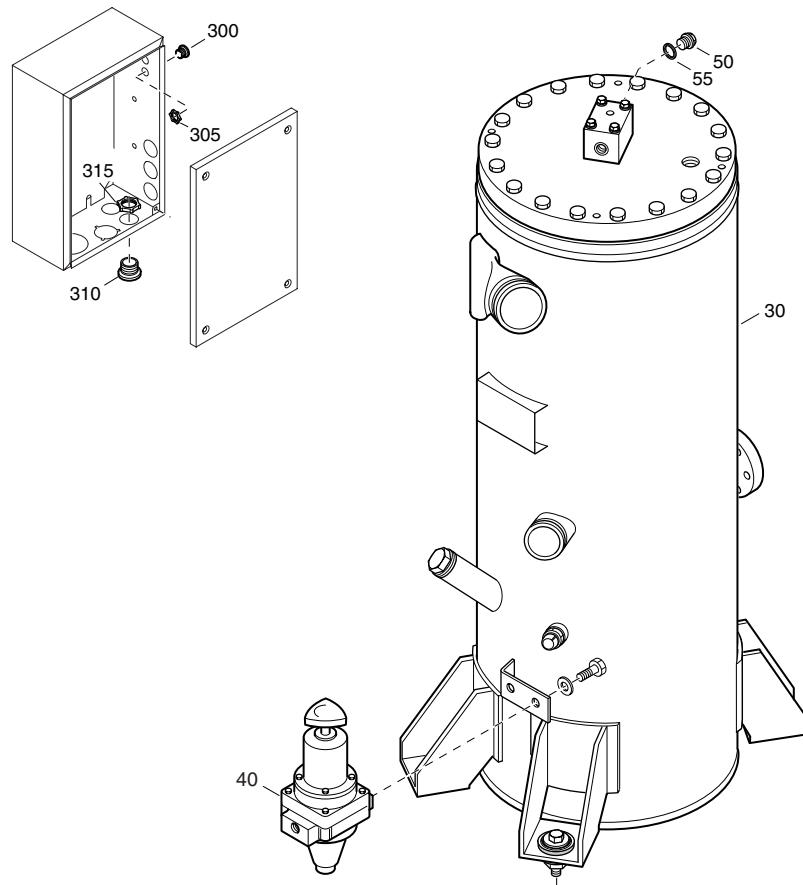
REF	PART NUMBER	DESIGNATION	QTY	REF	PART NUMBER	DESIGNATION	QTY
-	1604 2490 82	FANDRIVE ASSY MD-CD		•180	0147 1326 03	HEX. HEAD SCREW	2
•25	1604 2455 81	FAN SHAFT ASSY (For details see page 107)	1	•185	0301 2335 00	PLAIN WASHER	2
•70	0147 1403 03	HEX. HEAD SCREW	4				
•73	0301 2358 00	PLAIN WASHER	4				
•75	0291 1112 00	LOCKNUT	4				
•80	1604 2490 01	SUPPORT	1				
•85	0147 1477 03	HEX. HEAD SCREW	2				
•90	0301 2378 00	PLAIN WASHER	2				
•110	1615 5438 01	FAN	1				
•115	0108 1320 00	SPRING PIN	1				
•120	1615 5439 00	CLAMP RING	1				
•125	0147 1363 15	HEX. HEAD SCREW	6				
•140	1615 6034 80	TENSION PULLEY ASSY (For details see page 108)	1				
•145	0147 1412 03	HEX. HEAD SCREW	1				
•150	0147 1377 03	HEX. HEAD SCREW	1				
•155	1604 2665 00	SPACER	1				
•160	1615 6048 00	POINTER	1				
•165	0147 1244 03	HEX. HEAD SCREW	2				
•167	0333 3220 00	LOCK WASHER	2				
•168	1615 5540 00	LEVER	1				
•170	0147 1379 12	HEX. HEAD SCREW	1				
•175	0266 2111 00	HEXAGON NUT	1				



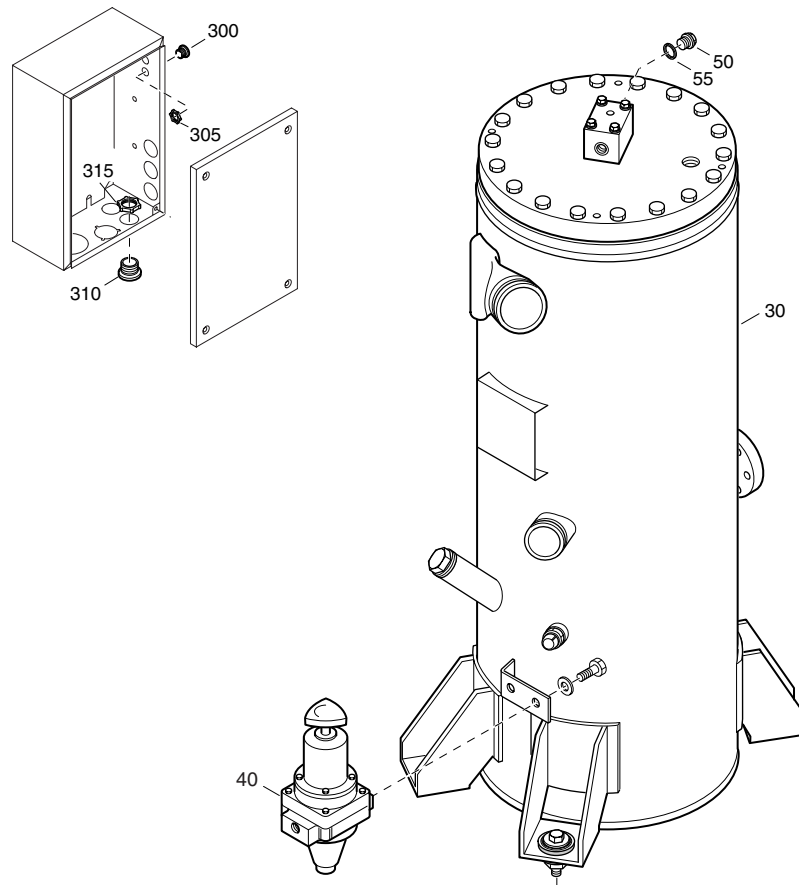
REF	PART NUMBER	DESIGNATION	QTY
-	1604 2455 81	FAN SHAFT ASSY	1
•10	1604 2455 01	FAN SHAFT	1
•20	0335 2160 00	CIRCLIP	1
•30	0335 1140 00	CIRCLIP	1
•40	0502 2240 00	BALL BEARING	1
•50	0502 2235 00	BALL BEARING	1
•60	0335 2157 00	CIRCLIP	1
•70	1615 5436 01	HOUSING	1



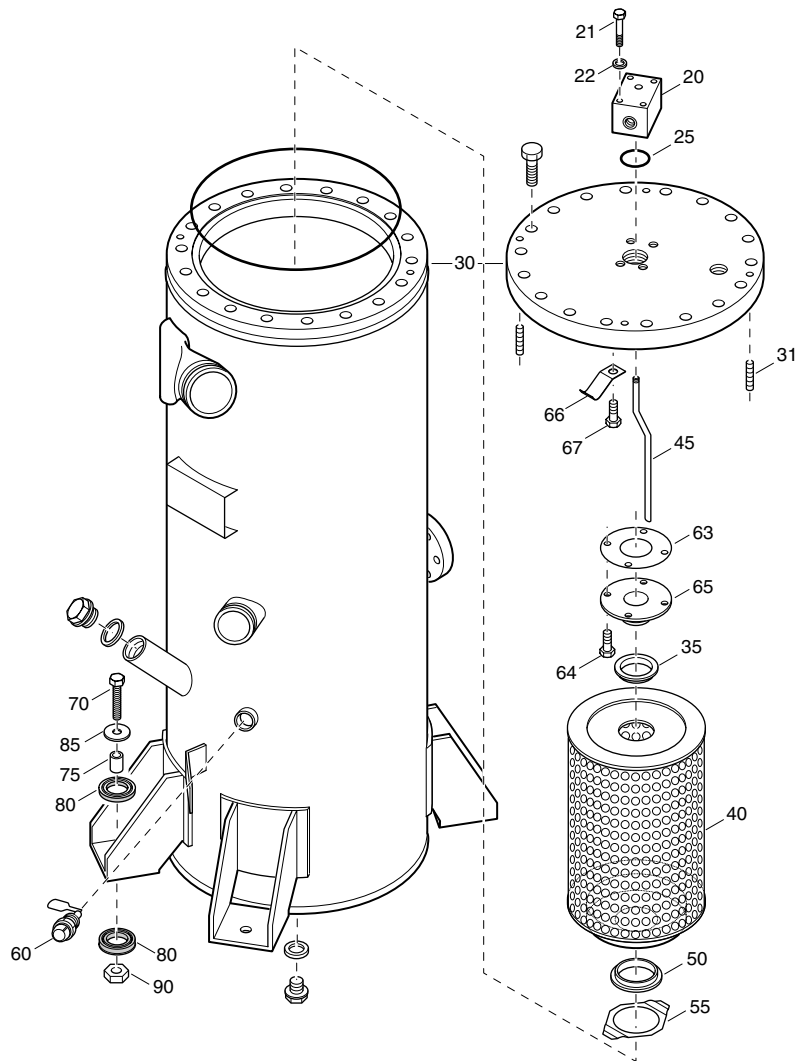
REF	PART NUMBER	DESIGNATION	QTY
-	1615 6034 80	TENSION PULLEY ASSY	
•20	0335 2146 00	CIRCLIP	1
•25	0291 1112 00	LOCKNUT	1
•30	1615 5447 00	WASHER	1
•35	1615 6036 00	SPACER	1
•40	0502 1100 12	BALL BEARING	2
•45	0147 1410 03	HEX. HEAD SCREW	1
•50	1615 5446 01	SPACER	1
•55	1615 6034 00	TENSION PULLEY	1
•60	1615 5443 00	TENSIONER	1



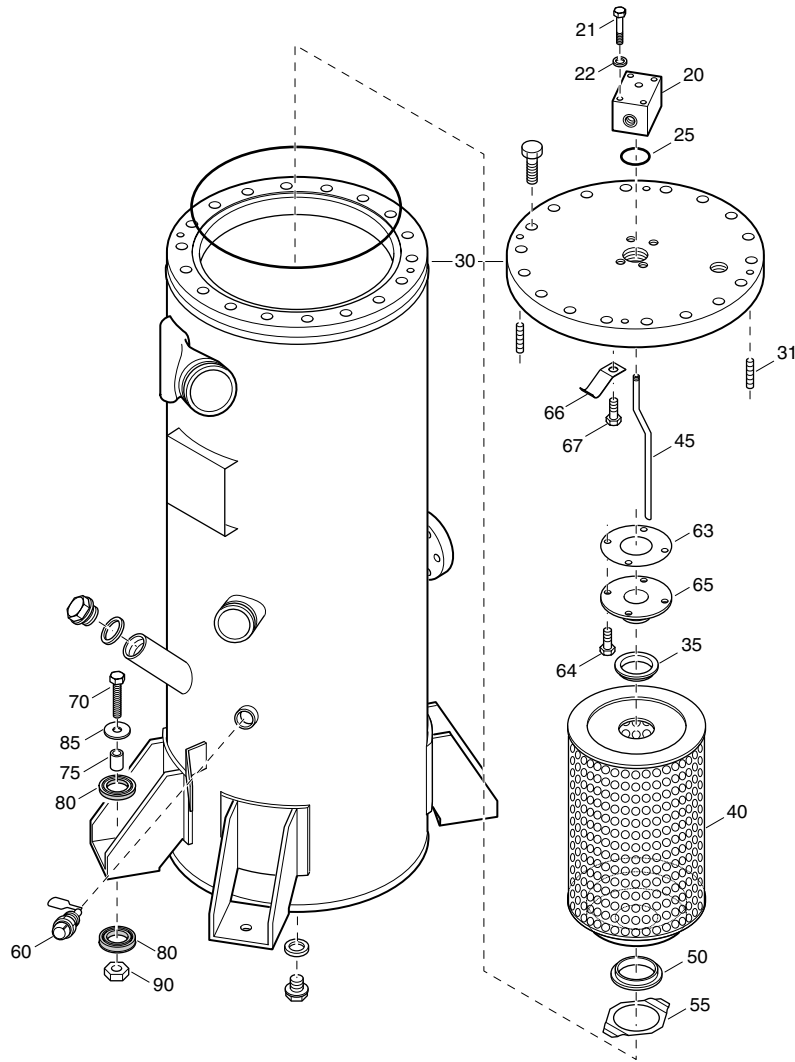
REF	PART NUMBER	DESIGNATION	QTY
30	1604 2532 89	OILSEP. ASSY EC (For details see page 111)	1
40	2252 0495 96	REGUL. VALVE (For details see page 115)	1
50	0686 3716 02	HEXAGON PLUG	1
55	0653 1124 00	FLAT GASKET	1
300	0697 9810 32	PLUG	1
305	0697 9809 30	LOCKNUT	1
310	0697 9810 27	PLUG	1
315	0697 9809 22	LOCK NUT	1



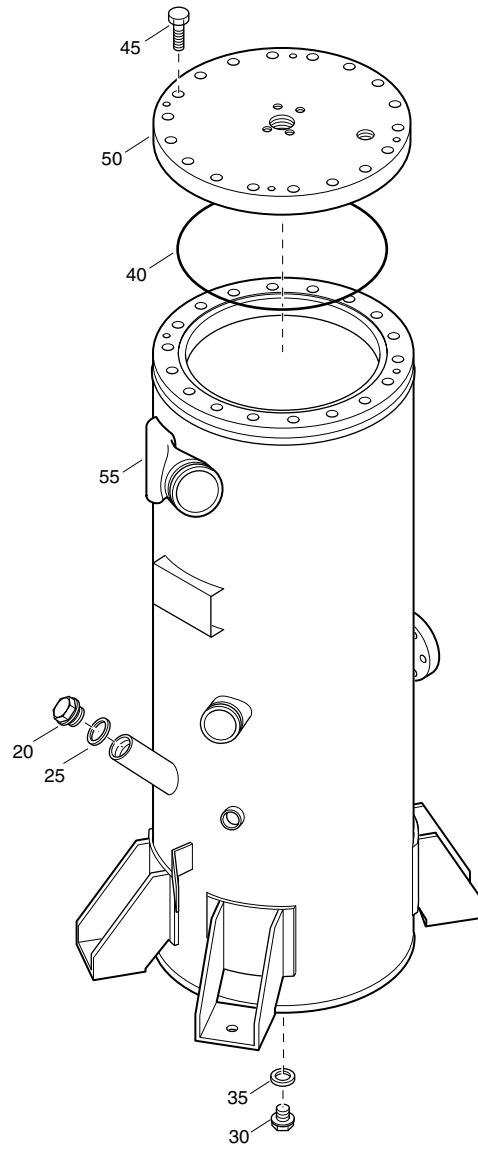
REF	PART NUMBER	DESIGNATION	QTY
30	1604 2532 90	OILSEP. ASSY ASME (For details see page 112)	1
40	2252 0495 96	REGUL. VALVE (For details see page 115)	1
50	0686 3716 02	HEXAGON PLUG	1
55	0653 1124 00	FLAT GASKET	1
300	0697 9810 32	PLUG	1
305	0697 9809 30	LOCKNUT	1
310	0697 9810 27	PLUG	1
315	0697 9809 22	LOCK NUT	1



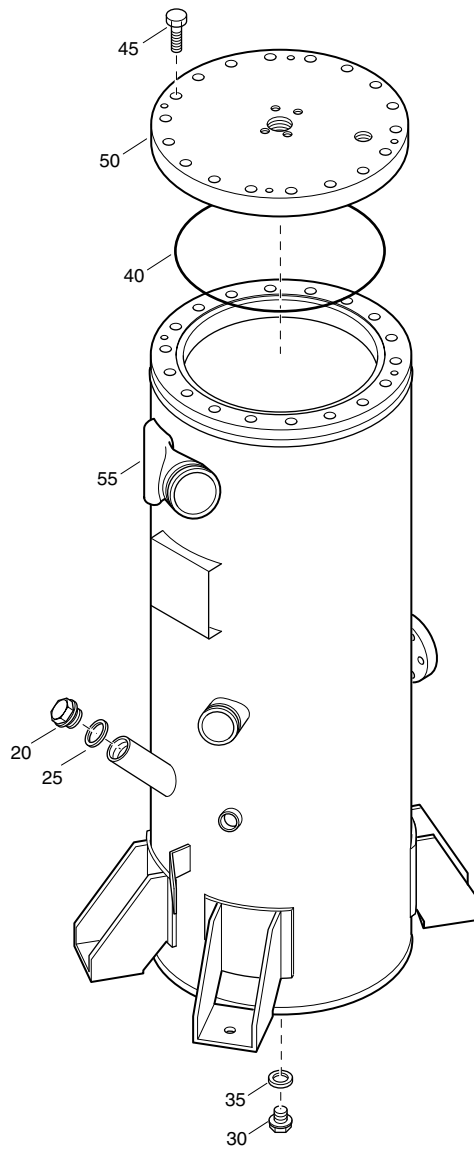
REF	PART NUMBER	DESIGNATION	QTY
-	1604 2532 89	OILSEP. ASSY EC	
•20	1604 2594 03	ADAPTER	1
•21	0147 1334 03	HEX. HEAD SCREW	4
•22	0301 2335 00	PLAIN WASHER	4
•25	0663 3134 00	O-RING	1
•30	1604 2531 90	PRESS. VESSEL ASSY EC (For details see page 113)	1
•31	0246 1956 29	STUD	2
•35	1604 0383 00	SEAL (OIL SEPARATOR)	1
•40	1604 1328 02	OILSEP.ELEMENT	1
•45	1604 2535 02	TUBE	1
•50	1604 1329 01	SEAL (OILSEPARATOR)	1
•55	1604 1330 01	RETAINER	1
•60	1616 5108 00	LEVEL GAUGE	1
•63	1604 5746 00	GASKET	1
•64	0147 1322 03	HEX. HEAD SCREW	4
•65	1604 5757 00	ADAPTER	1
•66	1604 5745 00	RETAINER	1
•67	0147 1320 03	HEX. HEAD SCREW	1
•70	0147 1371 12	HEX. HEAD SCREW	4
•75	0324 1000 27	DISTANCE SLEEVE	4
•80	1604 2725 00	BUFFER	8
•85	1604 2726 00	WASHER	4
•90	1604 2727 00	WASHER	4



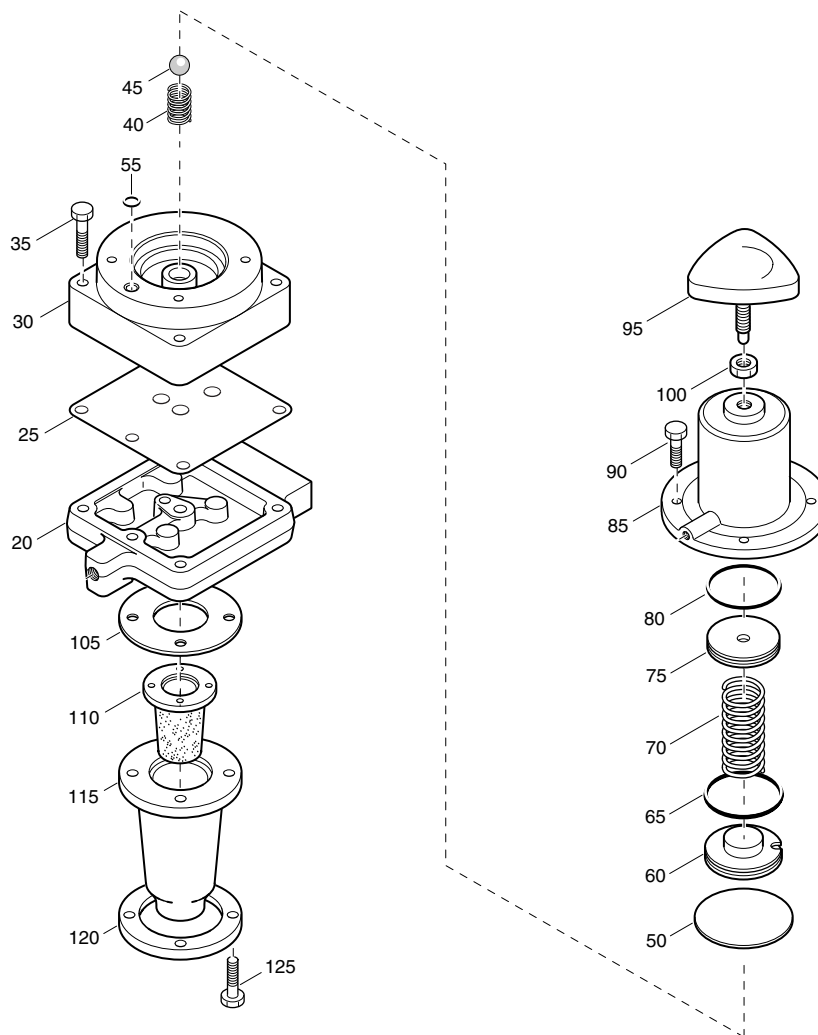
REF	PART NUMBER	DESIGNATION	QTY
-	1604 2532 90	OILSEP. ASSY ASME	
•20	1604 2594 03	ADAPTER	1
•21	0147 1334 03	HEX. HEAD SCREW	4
•22	0301 2335 00	PLAIN WASHER	4
•25	0663 3134 00	O-RING	1
•30	1604 2755 82	PRESS. VESSEL ASSY ASME (For details see page 114)	1
•31	0246 1956 29	STUD	2
•35	1604 0383 00	SEAL (OIL SEPARATOR)	1
•40	1604 1328 02	OILSEPELEMENT	1
•45	1604 2535 02	TUBE	1
•50	1604 1329 01	SEAL (OILSEPARATOR)	1
•55	1604 1330 01	RETAINER	1
•60	1616 5108 00	LEVEL GAUGE	1
•63	1604 5746 00	GASKET	1
•64	0147 1322 03	HEX. HEAD SCREW	4
•65	1604 5757 00	ADAPTER	1
•66	1604 5745 00	RETAINER	1
•67	0147 1320 03	HEX. HEAD SCREW	1
•70	0147 1371 12	HEX. HEAD SCREW	4
•75	0324 1000 27	DISTANCE SLEEVE	4
•80	1604 2725 00	BUFFER	8
•85	1604 2726 00	WASHER	4
•90	1604 2727 00	WASHER	4



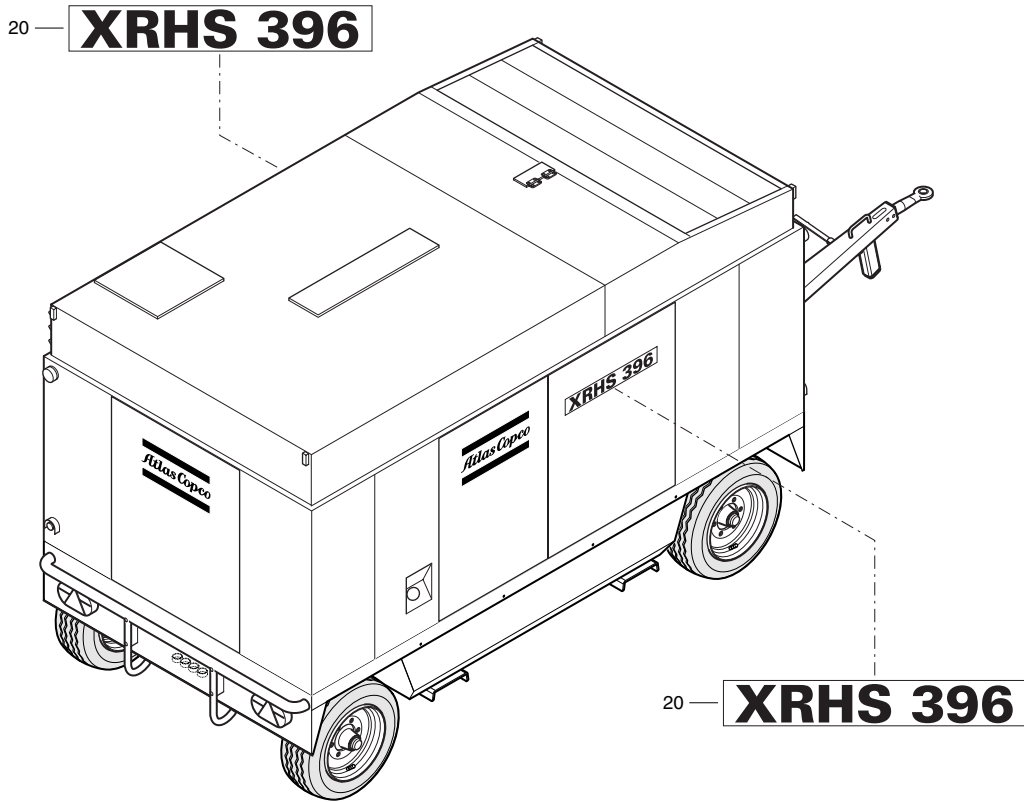
REF	PART NUMBER	DESIGNATION	QTY
-	1604 2531 90	PRESS. VESSEL ASSY EC	1
•20	2250 2528 00	PLUG SCREW	1
•25	0653 1227 00	FLAT GASKET	1
•30	0686 3716 02	HEXAGON PLUG	1
•35	0661 1033 00	SEALING WASHER	1
•40	0663 2103 24	O-RING	1
•45	0147 1481 03	HEX. HEAD SCREW	18
•50	1604 2532 02	COVER	1
•55	1604 2531 02	VESSEL EC	1



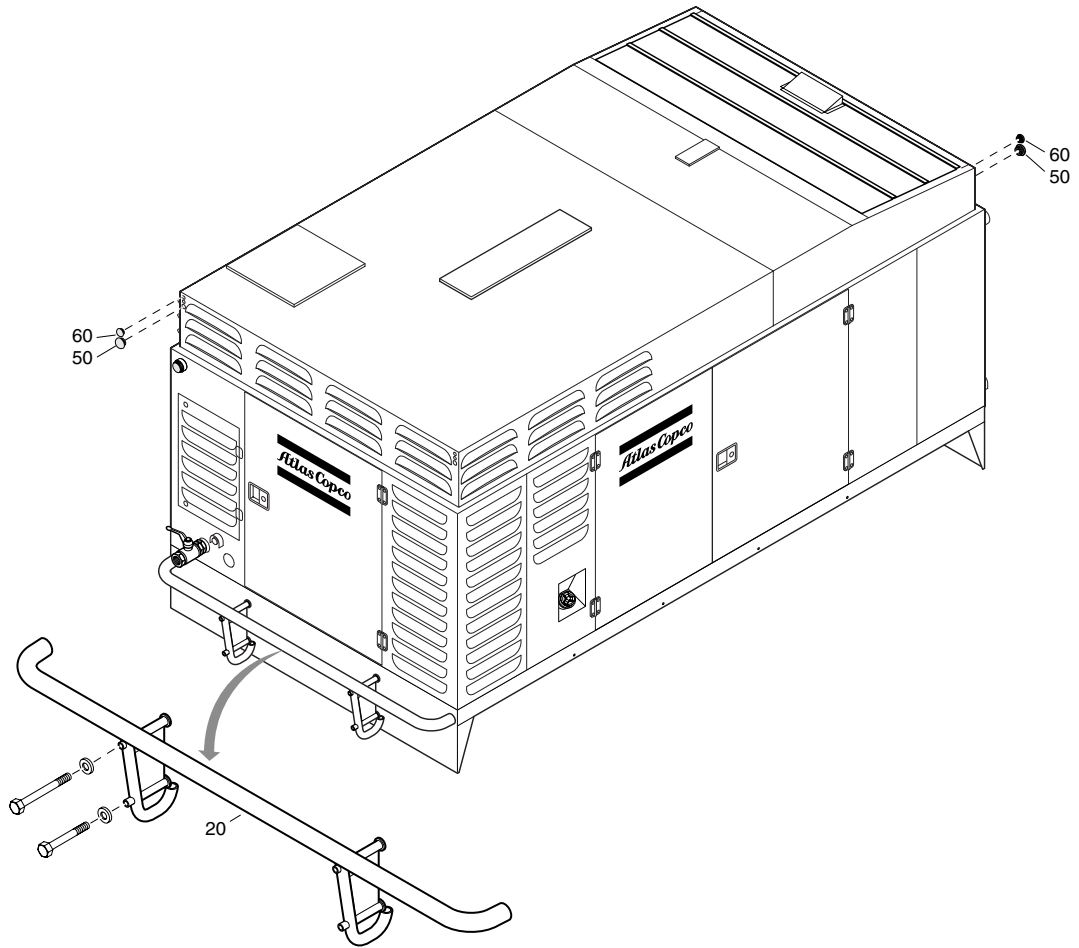
REF	PART NUMBER	DESIGNATION	QTY
-	1604 2755 82	PRESS. VESSEL ASSY ASME	
•20	2250 2528 00	PLUG SCREW	1
•25	0653 1227 00	FLAT GASKET	1
•30	0686 3716 02	HEXAGON PLUG	1
•35	0661 1033 00	SEALING WASHER	1
•40	0663 2103 24	O-RING	1
•45	0147 1481 03	HEX. HEAD SCREW	18
•50	1604 2532 02	COVER	1
•55	1604 2755 01	VESSEL ASME	1



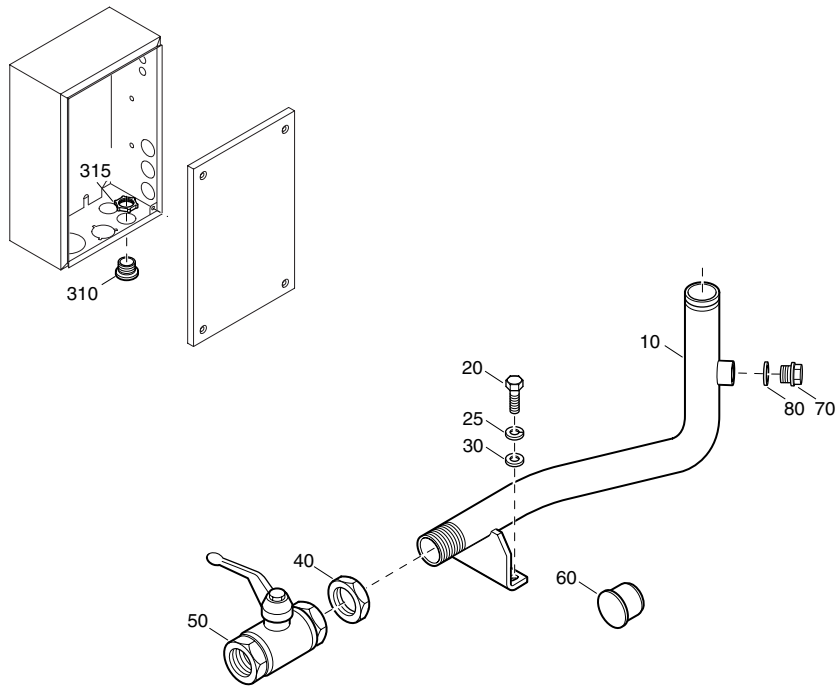
REF	PART NUMBER	DESIGNATION	QTY	REF	PART NUMBER	DESIGNATION	QTY
-	2252 0495 96	REGUL. VALVE		•95	1604 4289 00	SCREW	1
•20	-	BASE PLATE (Not available separately)	1	•100	0268 4138 22	HEXAGON NUT	1
•25	-	GASKET (Part of service kit, see page 7)	1	•105	2250 5842 00	GASKET	1
•30	-	SEAT ASS'Y (Not available separately)	1	•110	1012 0356 00	FILTER	1
•35	0147 1250 03	HEX. HEAD SCREW	4	•115	2250 5841 00	FILTER HOUSING	1
•40	-	SPRING (Part of service kit, see page 7)	1	•120	2254 3391 00	RING	1
•45	-	BEARING BALL (Part of service kit, see page 7)	1	•125	0147 1248 03	HEX. HEAD SCREW	4
•50	-	MEMBRANE (Part of service kit, see page 7)	1				
•55	-	O-RING (Part of service kit, see page 7)	1				
•60	2252 4058 00	SPRING GUIDE	1				
•65	0663 3132 00	O-RING	1				
•70	2255 0284 00	COMPR.SPRING	1				
•75	2252 4059 00	SPRING SEAT	1				
•80	0663 3131 00	O-RING	1				
•85	-	SPRING COVER (Not available separately)	1				
•90	0147 1247 03	HEX. HEAD SCREW	4				



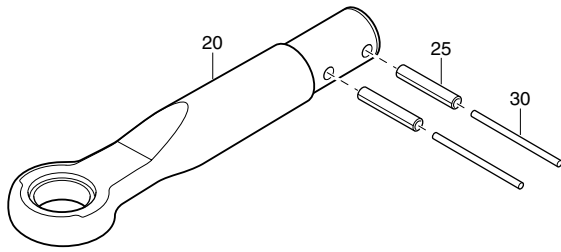
REF	PART NUMBER	DESIGNATION	QTY
20	1604 2610 06	LABEL XRHS396	2



REF	PART NUMBER	DESIGNATION	QTY
20	1604 3554 01	BUMPER	1
50	0686 9252 85	PLUG	4
60	0686 9252 86	PLUG	12

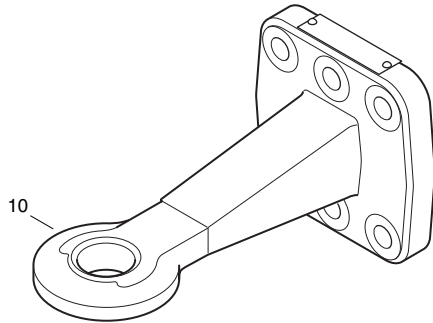


REF	PART NUMBER	DESIGNATION	QTY
10	1604 3768 00	MANIFOLD	1
20	0147 1362 03	HEX. HEAD SCREW	2
25	0333 3232 00	LOCK WASHER	2
30	0301 2344 00	PLAIN WASHER	2
40	1619 6153 09	BALL VALVE	1
50	0623 2100 09	BACKNUT	1
60	0686 9252 83	PLUG	1
70	0686 3716 35	HEXAGON PLUG	1
80	0661 1038 00	SEALING WASHER	1
310	0697 9810 27	PLUG	1
315	0697 9809 22	LOCK NUT	1

**DIN EYE**

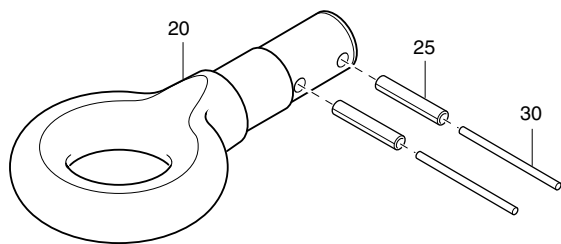
REF	PART NUMBER	DESIGNATION	QTY
20	1615 5569 00	TOWING EYE	1
25	0108 1690 79	SPRING PIN	2
30	0108 1368 00	SPRING PIN	2

1611 7701 60/02

**DIN EYE**

REF	PART NUMBER	DESIGNATION	QTY
10	1604 4728 00	TOWING EYE DIN	1

1611 7701 67/00

**NATO EYE**

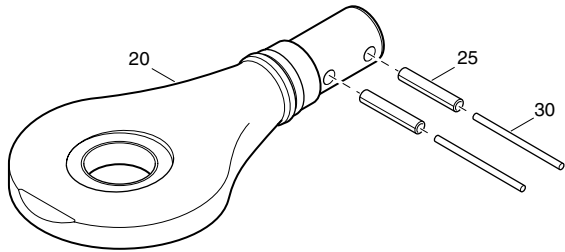
REF	PART NUMBER	DESIGNATION	QTY
20	1615 5586 00	TOWING EYE	1
25	0108 1690 79	SPRING PIN	2
30	0108 1368 00	SPRING PIN	2

1611 7702 60/02

**NATO EYE**

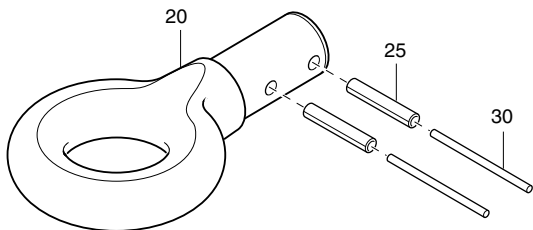
REF	PART NUMBER	DESIGNATION	QTY
10	1604 4729 00	TOWING EYE NATO	1

1611 7702 67/00

**SWE EYE**

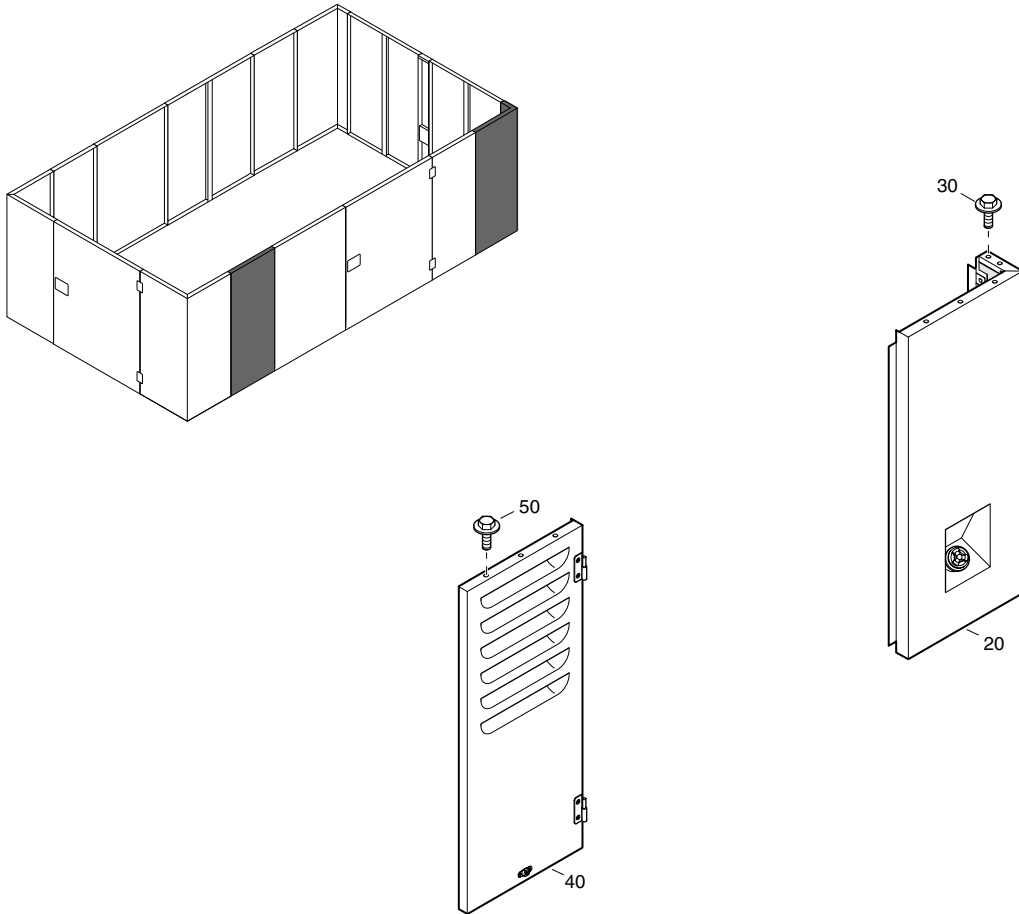
REF	PART NUMBER	DESIGNATION	QTY
20	1604 4304 00	TOWING EYE	1
25	0108 1690 79	SPRING PIN	2
30	0108 1368 00	SPRING PIN	2

1611 7704 67/00

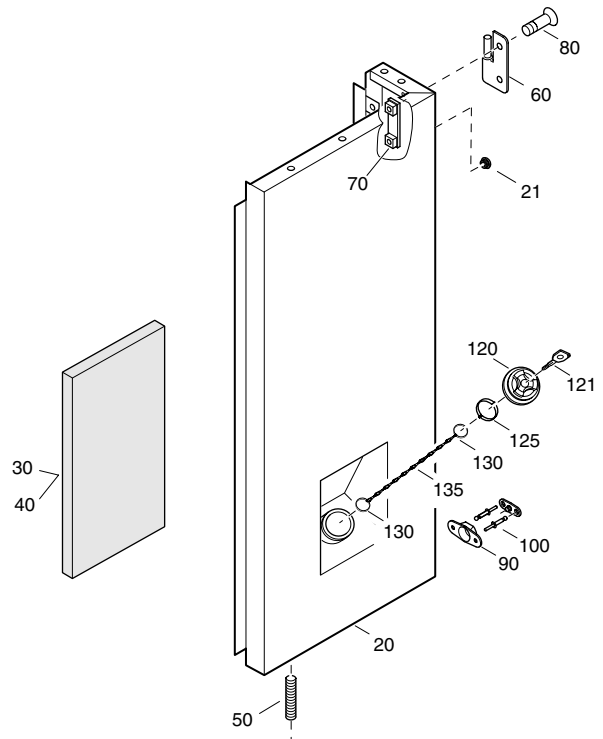
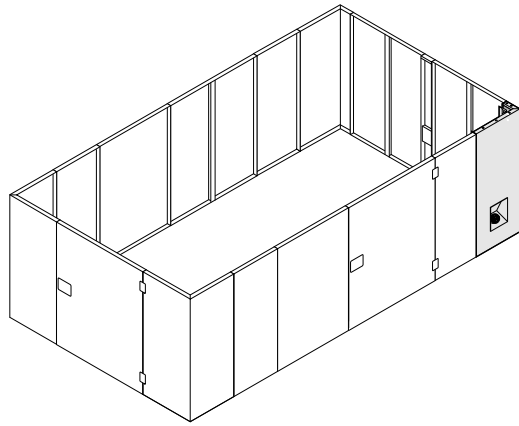
**ITA EYE**

REF	PART NUMBER	DESIGNATION	QTY
20	1604 2836 00	TOWING EYE ITA	1
25	0108 1690 79	SPRING PIN	2
30	0108 1368 00	SPRING PIN	2

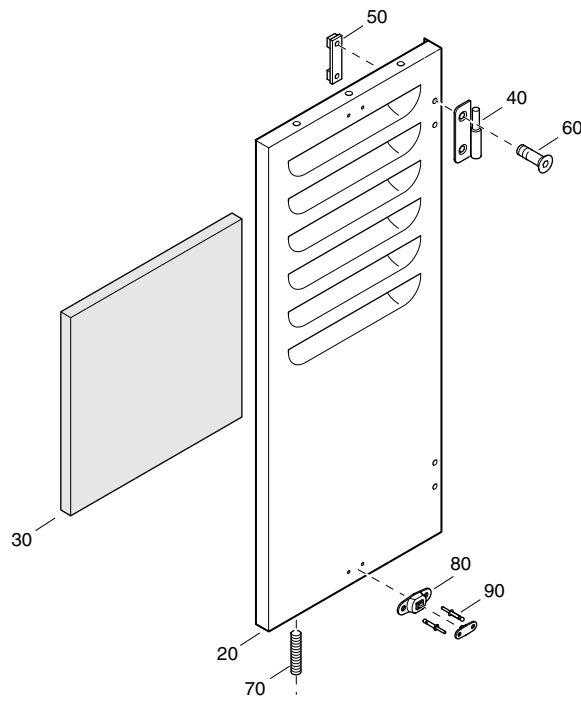
1611 7705 67/00



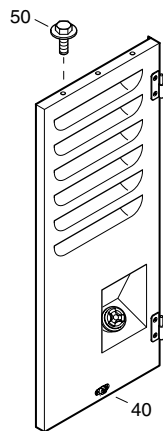
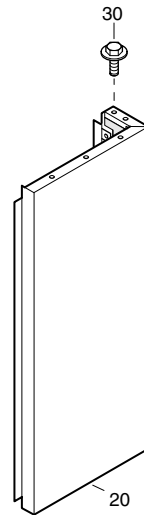
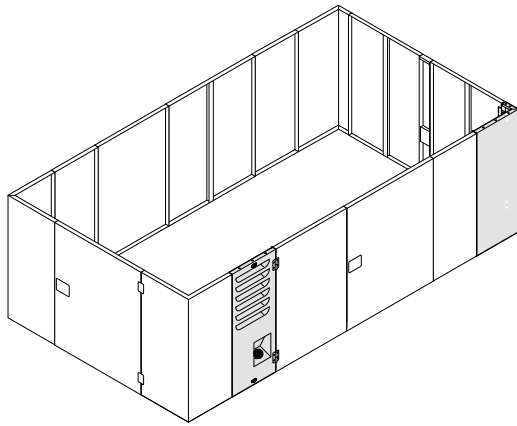
REF	PART NUMBER	DESIGNATION	QTY
20	1604 3544 80	CORNER ASSY <i>(For details see page 122)</i>	1
30	1615 5664 00	HEX. HEAD SCREW	3
40	1604 4370 80	PANEL ASSY <i>(For details see page 123)</i>	1
50	1615 5664 00	HEX. HEAD SCREW	2



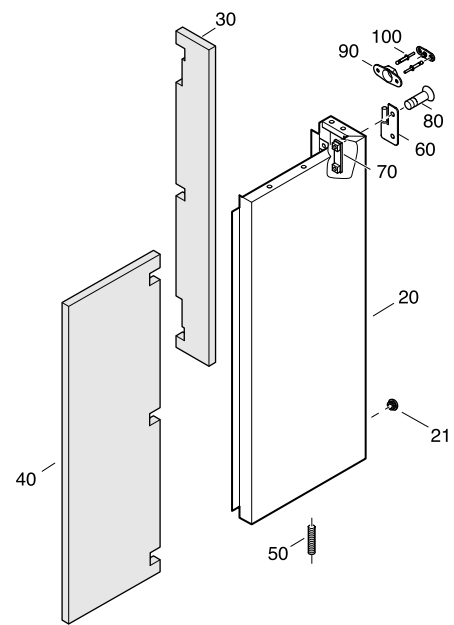
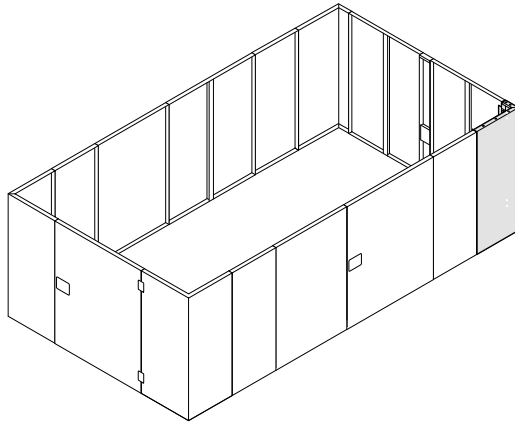
REF	PART NUMBER	DESIGNATION	QTY
-	1604 3544 80	CORNER ASSY	
•20	1604 3544 00	CORNER PANEL	1
•21	0686 9252 87	PLUG	2
•30	-	SILENCING FOAM	1
•40	-	SILENCING FOAM	1
•50	0246 1956 35	STUD	4
•60	1604 3430 00	HINGE	2
•70	1615 5684 00	BRACKET	2
•80	0216 1324 03	HEX SOCK. SCREW	4
•90	1619 1663 00	DOOR HOOK	1
•100	0129 3270 17	BLIND RIVET	2
•120	1615 6947 02	COVER	1
•121	2914 9604 00	KEY	1
•125	0347 0107 00	HOSE CLAMP	1
•130	1619 7461 00	KEY HOLDER	2
•135	2255 0049 00	CHAIN	1
-	1079 0003 32	SILENCING FOAM 2000 mm x 1500 mm x 30 mm	
-	1079 0001 91	SILENCING FOAM 2000 mm x 1500 mm x 40 mm	
-	1079 0003 33	SILENCING FOAM 2000 mm x 1500 mm x 50 mm	



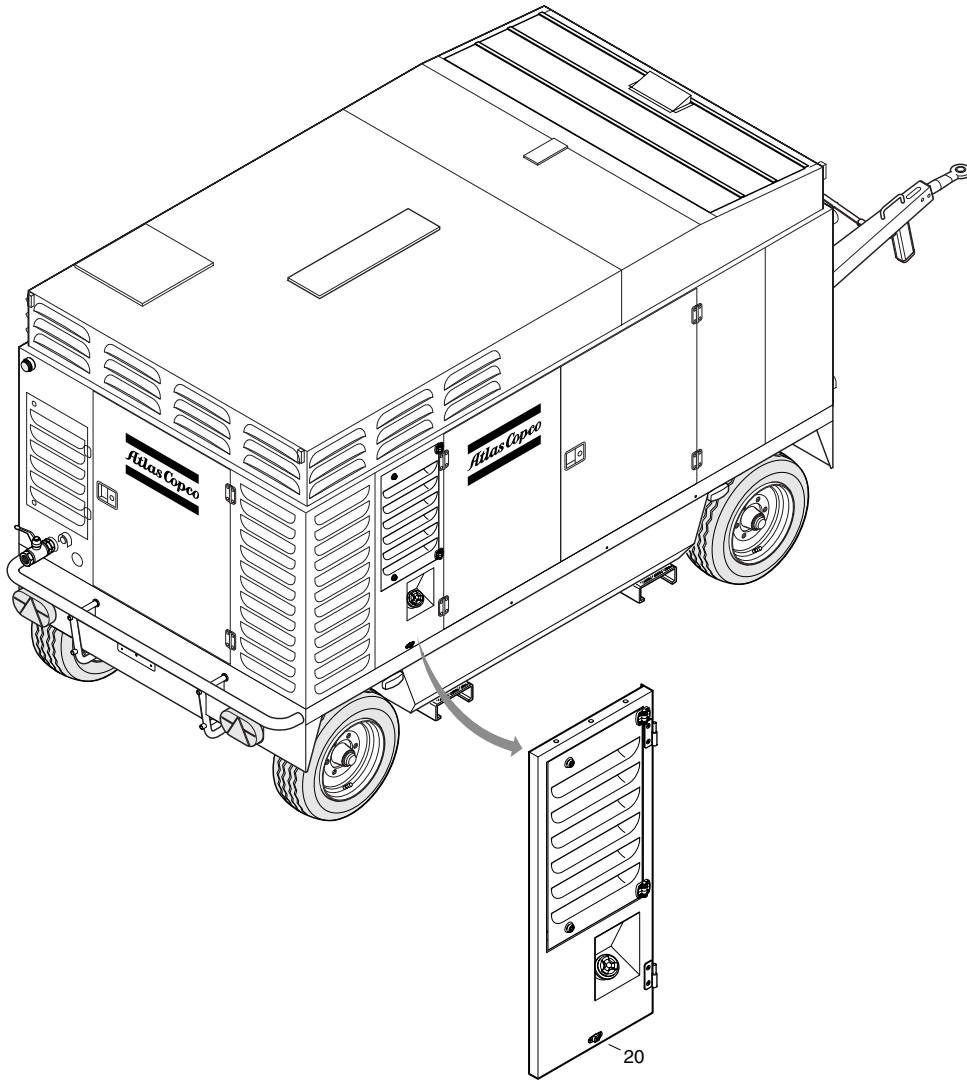
REF	PART NUMBER	DESIGNATION	QTY
-	1604 4370 80/00	PANEL ASSY	
•20	1604 4370 00	PANEL	1
•30	-	SILENCING FOAM	1
•40	1604 3428 00	HINGE	2
•50	1615 5684 00	BRACKET	2
•60	0216 1324 03	HEX SOCK. SCREW	4
•70	0246 1956 35	STUD	2
•80	1619 1663 00	DOOR HOOK	1
•90	0129 3270 17	BLIND RIVET	2
-	1079 0003 32	SILENCING FOAM 2000 mm x 1500 mm x 30 mm	
-	1079 0001 91	SILENCING FOAM 2000 mm x 1500 mm x 40 mm	
-	1079 0003 33	SILENCING FOAM 2000 mm x 1500 mm x 50 mm	



REF	PART NUMBER	DESIGNATION	QTY
20	1604 2465 83	CORNER ASSY <i>(For details see page 125)</i>	1
30	1615 5664 00	HEX. HEAD SCREW	3
40	1604 2481 82	PANEL ASSY <i>(For details see page 50)</i>	1
50	1615 5664 00	HEX. HEAD SCREW	2

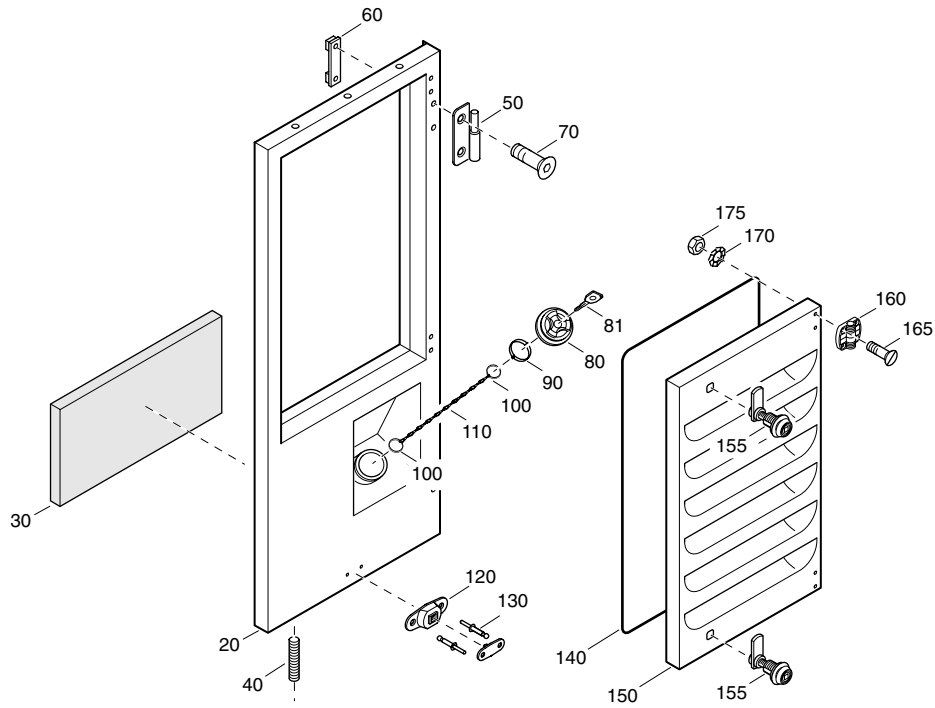


REF	PART NUMBER	DESIGNATION	QTY
-	1604 2465 83	CORNER ASSY	
•20	1604 2465 00	PANEL	1
•21	0686 9252 87	PLUG	2
•30	-	SILENCING FOAM	1
•40	-	SILENCING FOAM	1
•50	0246 1956 35	STUD	4
•60	1604 3428 00	HINGE	2
•70	1615 5684 00	BRACKET	2
•80	0216 1324 03	HEX SOCK. SCREW	4
•90	1619 1663 00	DOOR HOOK	1
•100	0129 3270 17	BLIND RIVET	2
-	1079 0003 32	SILENCING FOAM 2000 mm x 1500 mm x 30 mm	
-	1079 0001 91	SILENCING FOAM 2000 mm x 1500 mm x 40 mm	
-	1079 0003 33	SILENCING FOAM 2000 mm x 1500 mm x 50 mm	

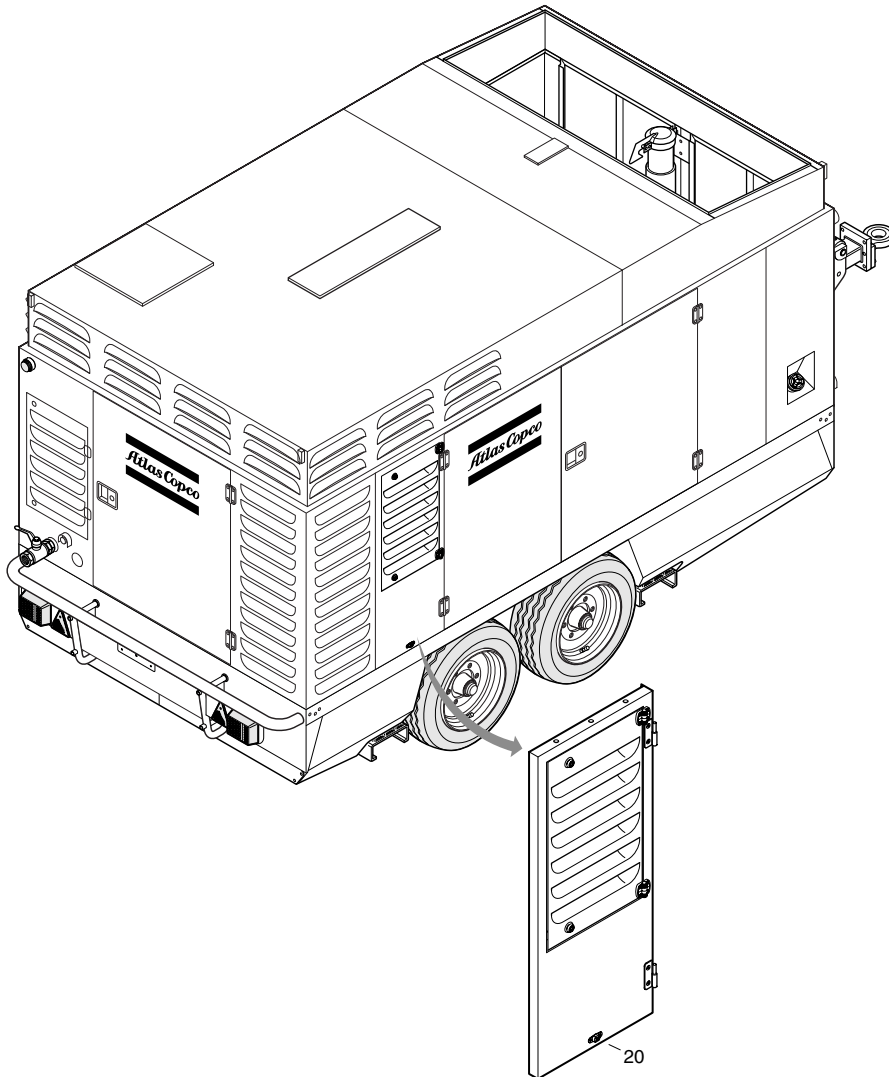


REF	PART NUMBER	DESIGNATION	QTY
20	1604 5237 80	PANEL ASSY (For details see page 127)	1

**OPTION**

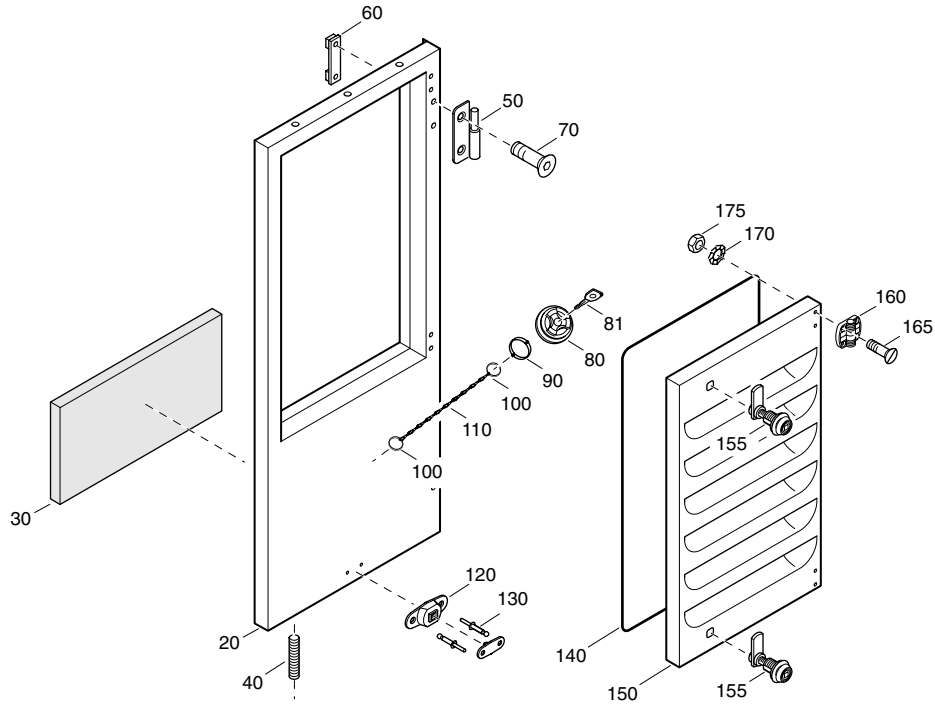


REF	PART NUMBER	DESIGNATION	QTY	REF	PART NUMBER	DESIGNATION	QTY
-	1604 5237 80	PANEL ASSY		-	1079 0003 32	SILENCING FOAM 2000 mm x 1500 mm x 30 mm	
•20	1604 5237 00	PANEL	1	-	1079 0001 91	SILENCING FOAM 2000 mm x 1500 mm x 40 mm	
•30	-	SILENCING FOAM	1	-	1079 0003 33	SILENCING FOAM 2000 mm x 1500 mm x 50 mm	
•40	0246 1956 35	STUD	2				
•50	1604 3428 00	HINGE	2				
•60	1615 5684 00	BRACKET	2				
•70	0216 1324 03	HEX SOCK. SCREW	4				
•80	1615 6947 02	COVER	1				
•81	2914 9604 00	KEY	1				
•90	0347 0107 00	HOSE CLAMP	1				
•100	1619 7461 00	KEY HOLDER	2				
•110	2255 0049 00	CHAIN	1				
•120	1619 1663 00	DOOR HOOK	1				
•130	0129 3270 17	BLIND RIVET	2				
•140	1619 2665 00	SEAL	AR				
•150	1604 5239 00	DOOR	1				
•155	1604 2519 00	LOCK	2				
•160	1604 2172 00	HINGE	2				
•165	0160 6060 00	SLOTTED SCREW	8				
•170	0333 3215 00	LOCK WASHER	8				
•175	0266 2107 00	HEXAGON NUT	8				



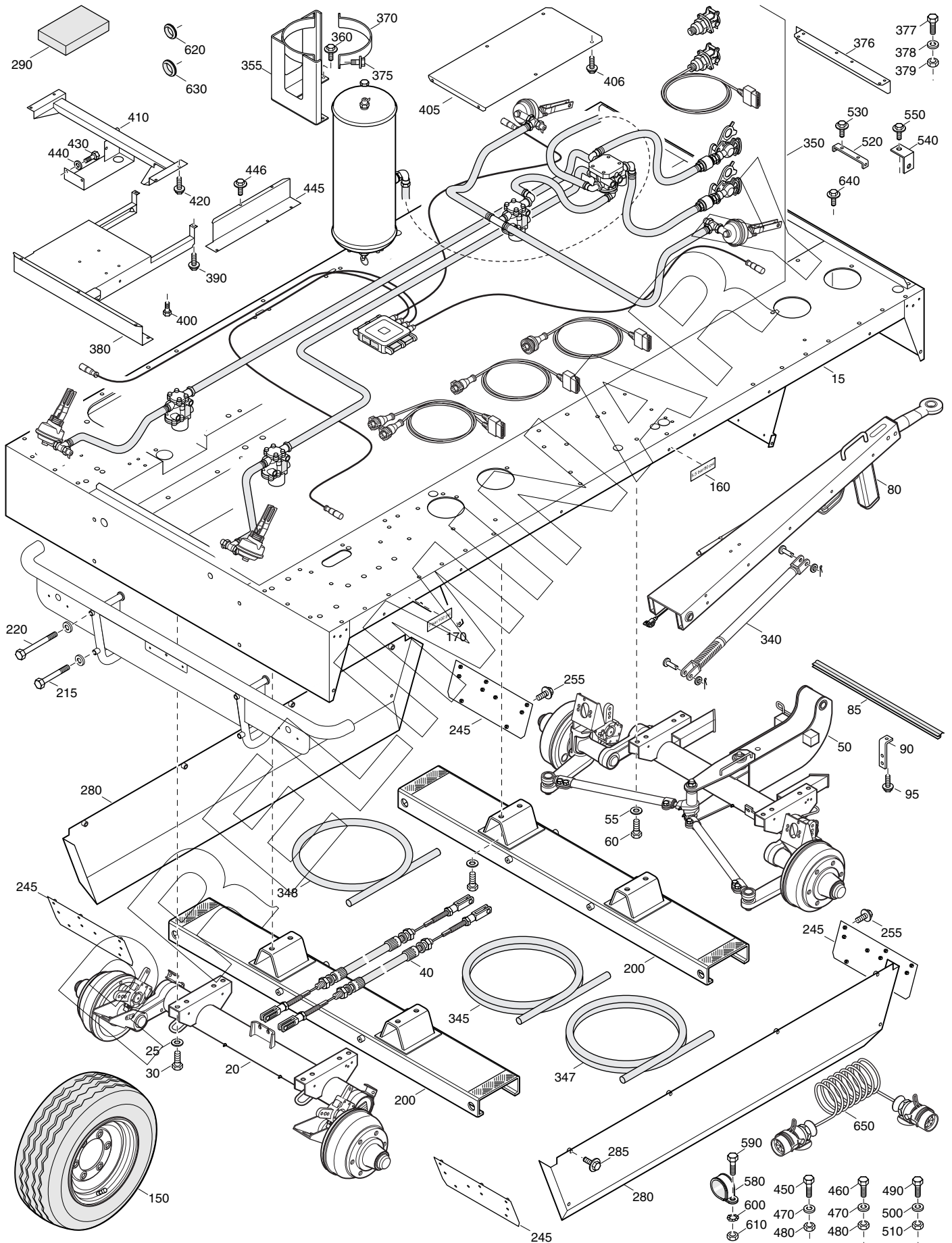
REF	PART NUMBER	DESIGNATION	QTY
20	1604 5238 80	PANEL ASSY (For details see page 129)	1

**OPTION**



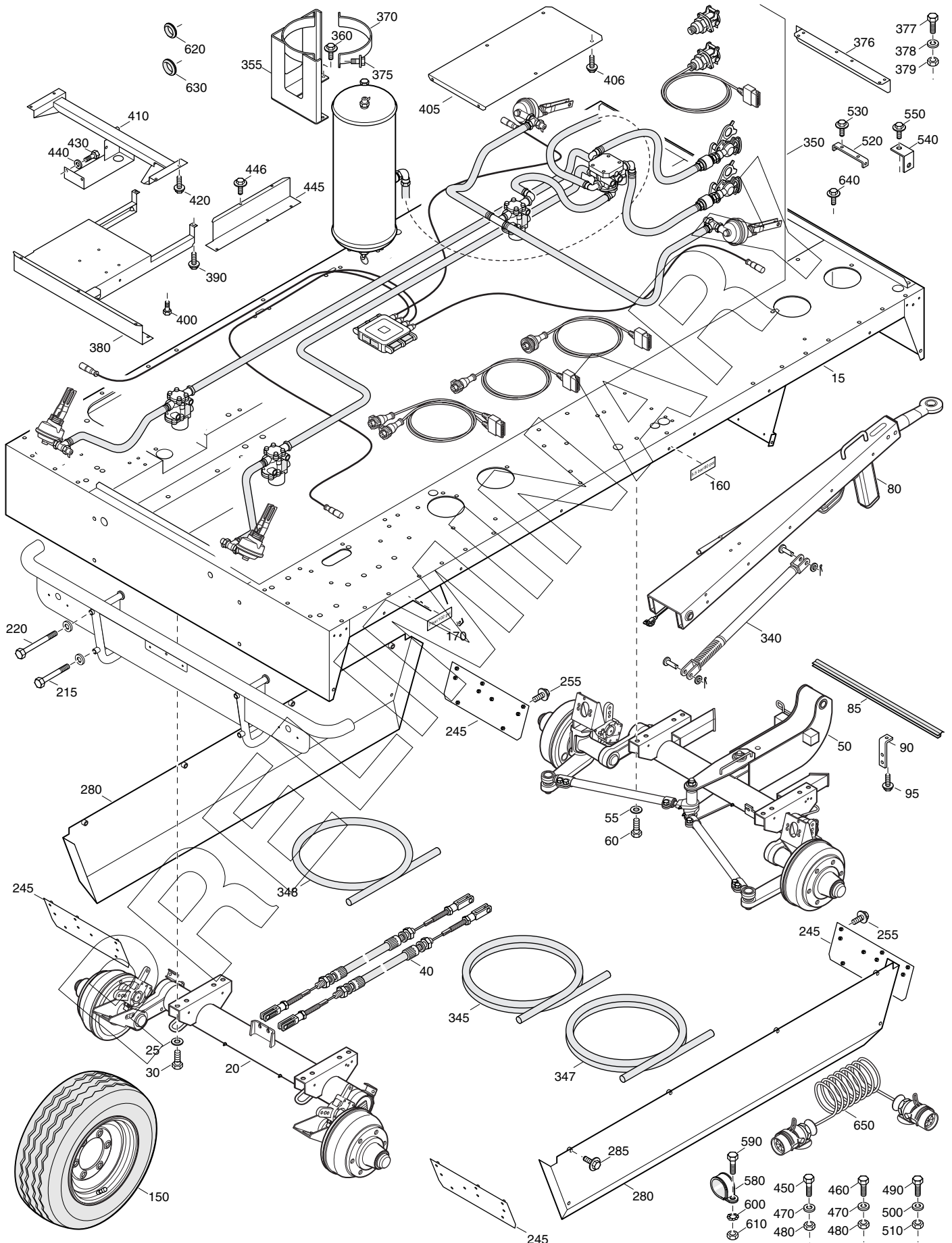
REF	PART NUMBER	DESIGNATION	QTY	REF	PART NUMBER	DESIGNATION	QTY
-	1604 5238 80	PANEL ASSY		-	1079 0003 32	SILENCING FOAM 2000 mm x 1500 mm x 30 mm	
•20	1604 5238 00	PANEL	1	-	1079 0001 91	SILENCING FOAM 2000 mm x 1500 mm x 40 mm	
•30	-	SILENCING FOAM	1	-	1079 0003 33	SILENCING FOAM 2000 mm x 1500 mm x 50 mm	
•40	0246 1956 35	STUD	2				
•50	1604 3428 00	HINGE	2				
•60	1615 5684 00	BRACKET	2				
•70	0216 1324 03	HEX SOCK. SCREW	4				
•80	1615 6947 02	COVER	1				
•81	2914 9604 00	KEY	1				
•90	0347 0107 00	HOSE CLAMP	1				
•100	1619 7461 00	KEY HOLDER	2				
•110	2255 0049 00	CHAIN	1				
•120	1619 1663 00	DOOR HOOK	1				
•130	0129 3270 17	BLIND RIVET	2				
•140	1619 2665 00	SEAL	AR				
•150	1604 5239 00	DOOR	1				
•155	1604 2519 00	LOCK	2				
•160	1604 2172 00	HINGE	2				
•165	0160 6060 00	SLOTTED SCREW	8				
•170	0333 3215 00	LOCK WASHER	8				
•175	0266 2107 00	HEXAGON NUT	8				

OPTION



REF	PART NUMBER	DESIGNATION	QTY	REF	PART NUMBER	DESIGNATION	QTY
15	1604 2527 08	FRAME	1	580	0346 1000 17	PIPE CLAMP	23
20	1604 4526 00	AXLE (REAR)	1	590	0147 1246 03	HEX. HEAD SCREW	23
25	0301 2378 00	PLAIN WASHER	8	600	0333 3220 00	LOCK WASHER	23
30	0147 1958 96	HEX. HEAD SCREW	8	610	0266 2108 00	HEXAGON NUT	23
40	1604 3528 01	BRAKE CABLE	2	620	1088 0801 26	GROMMET	1
50	1604 4527 01	AXLE (FRONT)	1	630	1088 0801 35	GROMMET	1
55	0301 2378 00	PLAIN WASHER	8	640	1615 5664 00	SCRAPER BOLT	4
60	0147 1958 96	HEX. HEAD SCREW	8	650	1604 3674 00	CABLE	1
80	1604 5304 00	TOWBAR ABS	1				
		(For details see page 142)					
85	1202 5211 00	SEAL	AR	-	1079 0003 32	SILENCING FOAM 2000 mm x 1500 mm x 30 mm	
90	1615 5614 00	BRACKET	1	-	1079 0001 91	SILENCING FOAM 2000 mm x 1500 mm x 40 mm	
95	1615 5664 00	SCRAPER BOLT	1				
150	1615 9260 81	TYRE ASS'Y	4	-	1079 0003 33	SILENCING FOAM 2000 mm x 1500 mm x 50 mm	
		(For details see page 144)					
160	1079 9922 05	INFORMATION LABEL	2				
170	1079 9922 06	INFORMATION LABEL	2				
200	1604 2808 04	SUPPORT	2				
215	0147 1465 03	HEX. HEAD SCREW	2				
220	0147 1962 18	HEX. HEAD SCREW	2				
245	1604 4346 02	MUDGUARD	4				
255	1615 5664 00	SCRAPER BOLT	12				
280	1604 2805 02	PROTECTION	2				
285	1615 5664 00	SCRAPER BOLT	8				
290	-	SILENCING FOAM	2				
340	1615 5594 00	LEVEL DEVICE	1				
345	1604 4363 00	HOSE	AR				
347	1604 4364 00	HOSE	AR				
348	1604 4365 00	HOSE	AR				
350	1604 3668 01	BRAKE ABS	1				
		(For details see page 146)					
355	1604 3350 00	SUPPORT	1				
360	1615 5664 00	SCRAPER BOLT	3				
370	1604 3351 00	CLAMP	1				
375	1615 5664 00	SCRAPER BOLT	2				
376	1604 4337 00	GUIDE	2				
377	0147 1249 03	HEX. HEAD SCREW	4				
378	0333 3220 00	LOCK WASHER	4				
379	0266 2108 00	HEXAGON NUT	4				
380	1604 3454 01	SUB FRAME	1				
390	1615 5664 00	SCRAPER BOLT	5				
400	0147 1249 03	HEX. HEAD SCREW	4				
405	1604 4336 00	SHIELD	1				
406	1615 5664 00	SCRAPER BOLT	4				
410	1604 3453 01	SUPPORT	1				
420	1615 5664 00	SCRAPER BOLT	4				
430	0147 1336 03	HEX. HEAD SCREW	2				
440	0301 2335 00	PLAIN WASHER	2				
445	1604 4335 00	SUPPORT	1				
446	1615 5664 00	SCRAPER BOLT	2				
450	0147 1336 03	HEX. HEAD SCREW	4				
460	0147 1329 03	HEX. HEAD SCREW	2				
470	0301 2335 00	PLAIN WASHER	6				
480	0291 1110 00	LOCKNUT	6				
490	0147 1326 03	HEX. HEAD SCREW	2				
500	0301 2335 00	PLAIN WASHER	2				
510	0266 2110 00	HEXAGON NUT	2				
520	1604 3397 00	BRACKET	1				
530	1615 5664 00	SCRAPER BOLT	2				
540	1613 0807 00	SUPPORT	3				
550	1615 5664 00	SCRAPER BOLT	3				

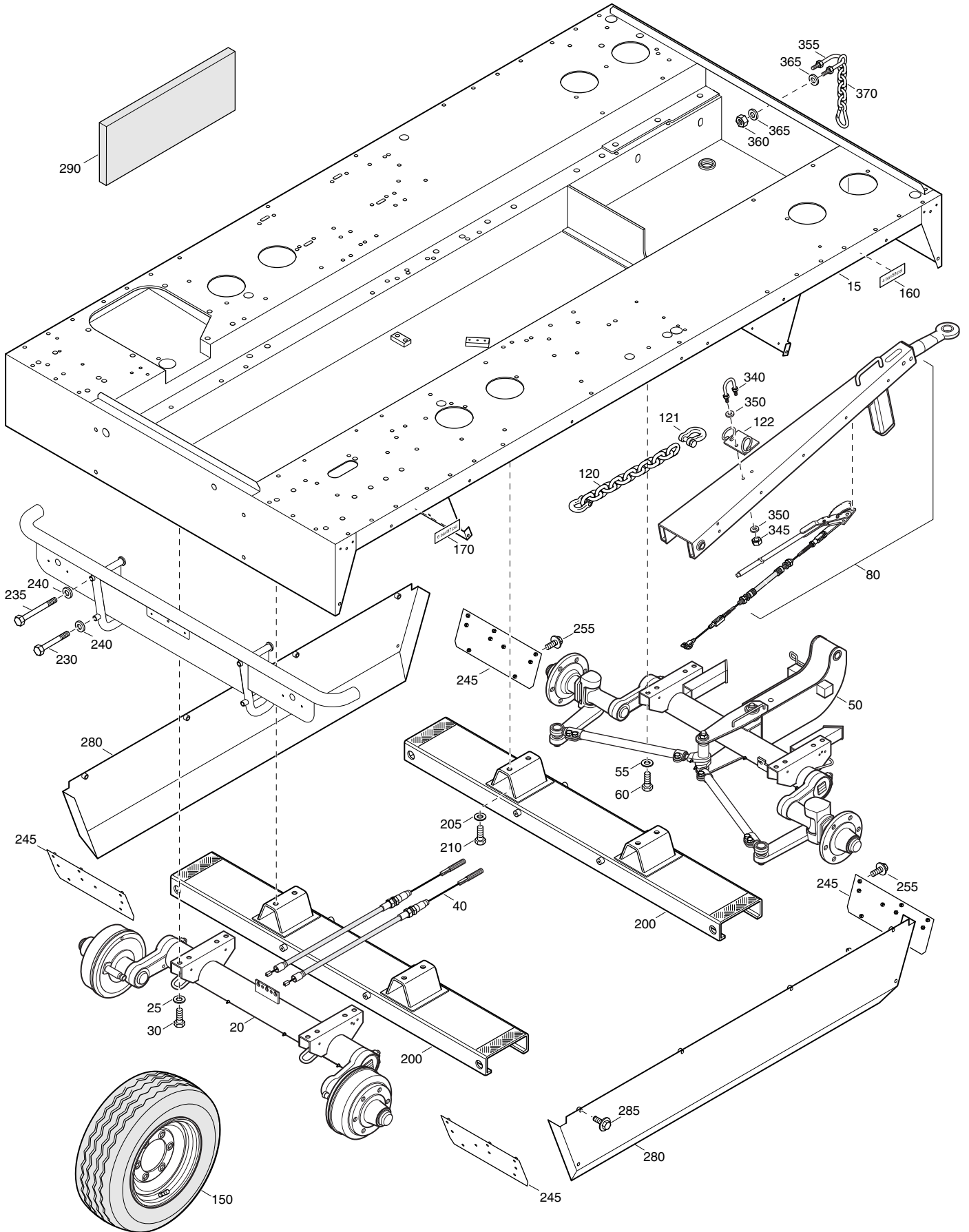
OPTION



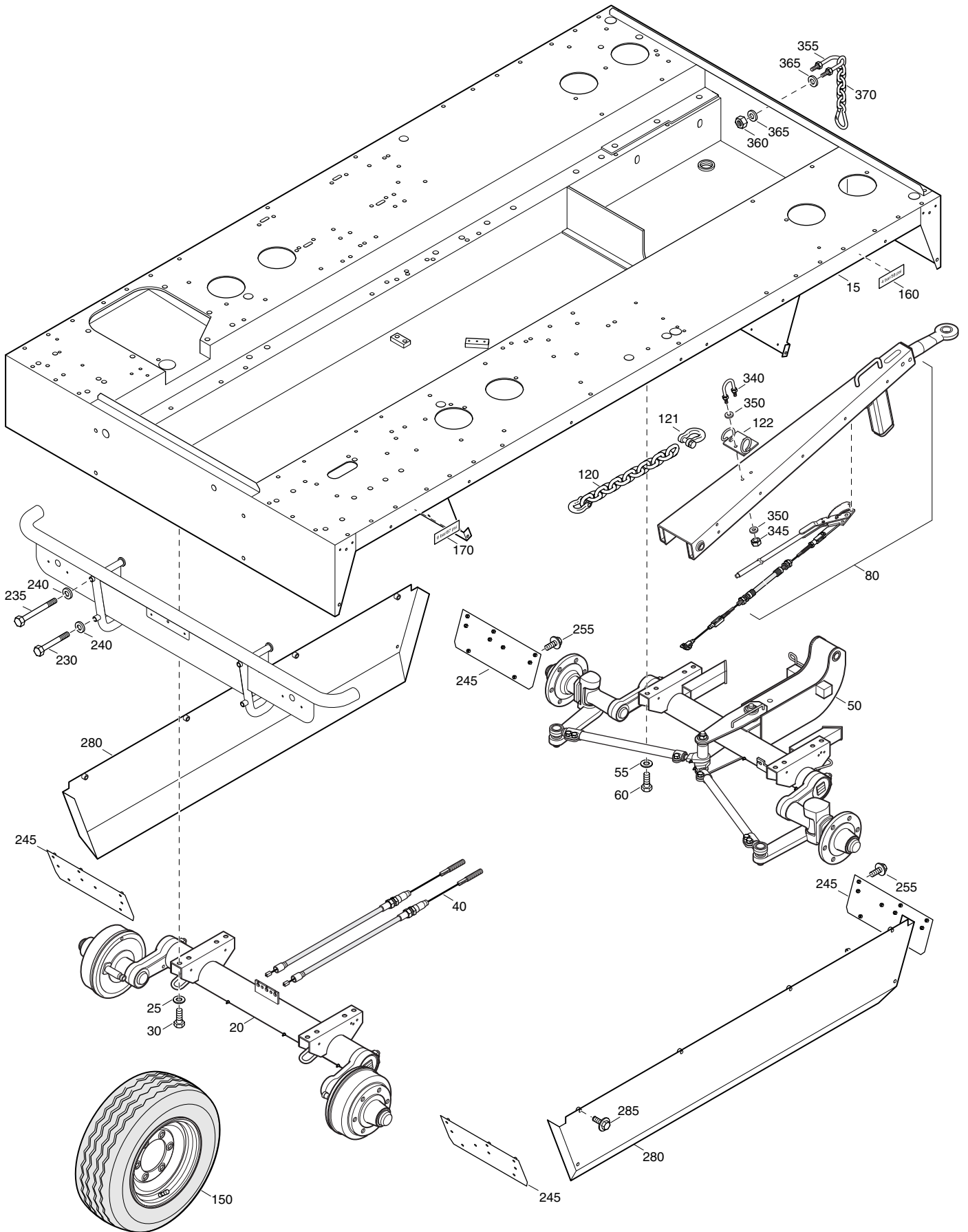
## OPTION

REF	PART NUMBER	DESIGNATION	QTY	REF	PART NUMBER	DESIGNATION	QTY
15	1604 2527 08	FRAME	1	600	0333 3220 00	LOCK WASHER	23
20	1604 4526 00	AXLE (REAR)	1	610	0266 2108 00	HEXAGON NUT	23
25	0301 2378 00	PLAIN WASHER	8	620	1088 0801 26	GROMMET	1
30	0147 1958 96	HEX. HEAD SCREW	8	630	1088 0801 35	GROMMET	1
40	1604 3528 01	BRAKE CABLE	2	640	1615 5664 00	SCRAPER BOLT	4
50	1604 4527 01	AXLE (FRONT)	1	650	1604 3674 00	CABLE	1
55	0301 2378 00	PLAIN WASHER	8				
60	0147 1958 96	HEX. HEAD SCREW	8				
80	1604 5304 00	TOWBAR ABS	1				
		(For details see page 142)					
85	1202 5211 00	SEAL	AR				
90	1615 5614 00	BRACKET	1				
95	1615 5664 00	SCRAPER BOLT	1				
150	1615 9260 81	TYRE ASS'Y	4				
		(For details see page 144)					
160	1079 9922 05	INFORMATION LABEL	2				
170	1079 9922 06	INFORMATION LABEL	2				
215	0147 1465 03	HEX. HEAD SCREW	2				
220	0147 1962 18	HEX. HEAD SCREW	2				
245	1604 4346 02	MUDGUARD	4				
255	1615 5664 00	SCRAPER BOLT	12				
280	1604 2805 02	PROTECTION	2				
285	1615 5664 00	SCRAPER BOLT	8				
340	1615 5594 00	LEVEL DEVICE	1				
345	1604 4363 00	HOSE	AR				
347	1604 4364 00	HOSE	AR				
348	1604 4365 00	HOSE	AR				
350	1604 3668 01	BRAKE ABS	1				
		(For details see page 146)					
355	1604 3350 00	SUPPORT	1				
360	1615 5664 00	SCRAPER BOLT	3				
370	1604 3351 00	CLAMP	1				
375	1615 5664 00	SCRAPER BOLT	2				
376	1604 4337 00	GUIDE	2				
377	0147 1249 03	HEX. HEAD SCREW	4				
378	0333 3220 00	LOCK WASHER	4				
379	0266 2108 00	HEXAGON NUT	4				
380	1604 3454 01	SUB FRAME	1				
390	1615 5664 00	SCRAPER BOLT	5				
400	0147 1249 03	HEX. HEAD SCREW	4				
405	1604 4336 00	SHIELD	1				
406	1615 5664 00	SCRAPER BOLT	4				
410	1604 3453 01	SUPPORT	1				
420	1615 5664 00	SCRAPER BOLT	4				
430	0147 1336 03	HEX. HEAD SCREW	2				
440	0301 2335 00	PLAIN WASHER	2				
445	1604 4335 00	SUPPORT	1				
446	1615 5664 00	SCRAPER BOLT	2				
450	0147 1336 03	HEX. HEAD SCREW	4				
460	0147 1329 03	HEX. HEAD SCREW	2				
470	0301 2335 00	PLAIN WASHER	6				
480	0291 1110 00	LOCKNUT	6				
490	0147 1326 03	HEX. HEAD SCREW	2				
500	0301 2335 00	PLAIN WASHER	2				
510	0266 2110 00	HEXAGON NUT	2				
520	1604 3397 00	BRACKET	1				
530	1615 5664 00	SCRAPER BOLT	2				
540	1613 0807 00	SUPPORT	3				
550	1615 5664 00	SCRAPER BOLT	3				
580	0346 1000 17	PIPE CLAMP	23				
590	0147 1246 03	HEX. HEAD SCREW	23				

OPTION

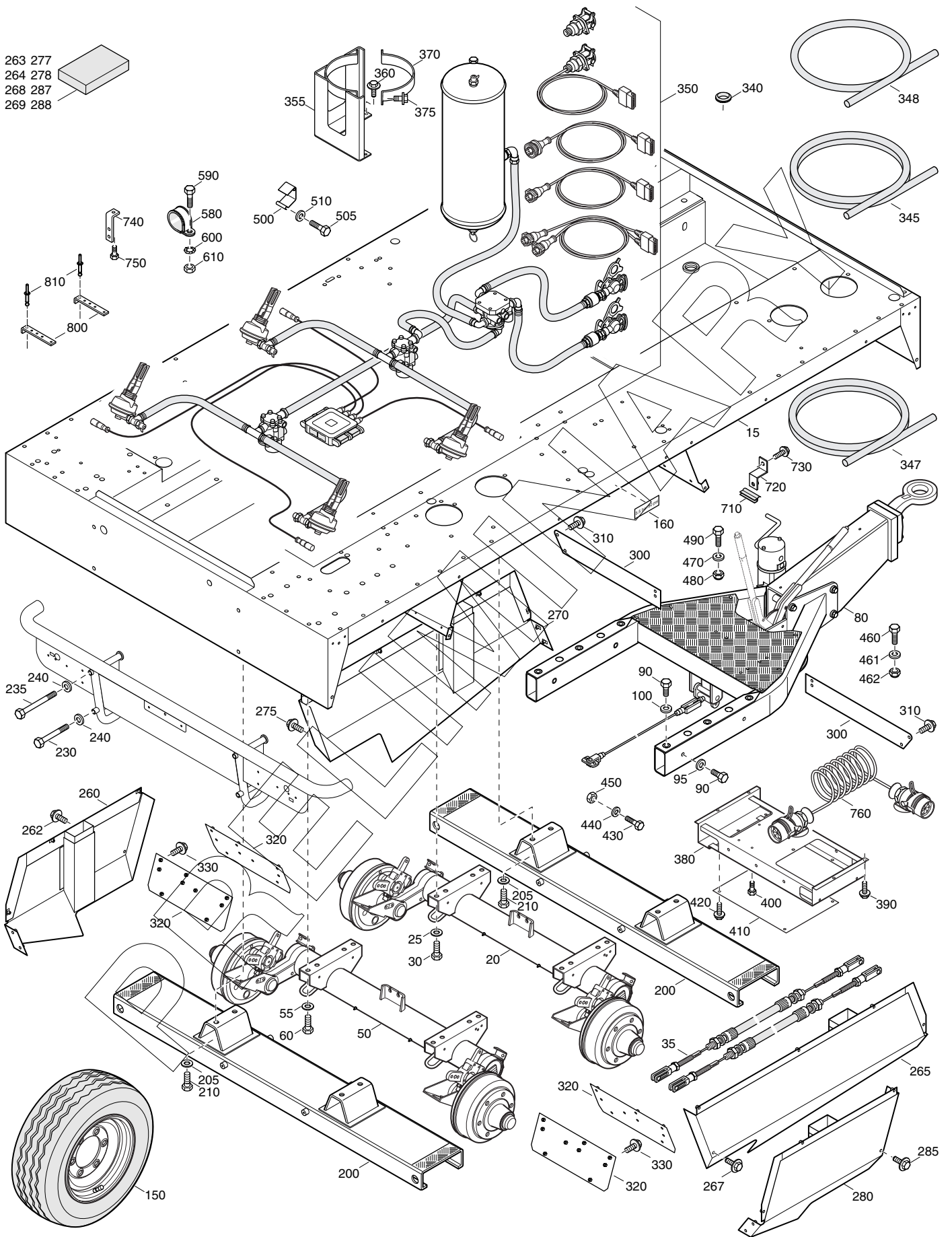


REF	PART NUMBER	DESIGNATION	QTY
15	1604 2527 08	FRAME	1
20	1604 2685 00	AXLE (REAR)	1
		(For details see page 140)	
25	0301 2378 00	PLAIN WASHER	8
30	0147 1958 96	HEX. HEAD SCREW	8
40	1604 2813 00	BRAKE CABLE	2
50	1604 2682 01	AXLE (FRONT)	1
55	0301 2378 00	PLAIN WASHER	8
60	0147 1958 96	HEX. HEAD SCREW	8
80	1604 2691 02	TOWBAR	1
		(For details see page 141)	
120	1615 7620 00	CHAIN (TOWBAR)	1
121	1615 7776 00	COUPLING LINK	1
122	1615 7777 00	ANCHOR PLATE	1
150	1604 2794 80	TYRE ASSY	4
		(For details see page 143)	
160	1079 9917 96	INFORMATION LABEL	2
170	1079 9917 99	INFORMATION LABEL	2
200	1604 2808 04	SUPPORT	2
205	0301 2378 00	PLAIN WASHER	8
210	0147 1958 96	HEX. HEAD SCREW	8
230	0147 1465 03	HEX. HEAD SCREW	2
235	0147 1962 18	HEX. HEAD SCREW	2
240	0301 2358 00	PLAIN WASHER	4
245	1604 4346 02	MUDGUARD	4
255	1615 5664 00	SCRAPER BOLT	12
280	1604 2805 02	PROTECTION	2
285	1615 5664 00	SCRAPER BOLT	8
290	-	SILENCING FOAM	2
340	1079 3463 07	U-BOLT	1
345	0266 2110 00	HEXAGON NUT	2
350	0301 2335 00	PLAIN WASHER	4
355	1079 3463 07	U-BOLT	1
360	0266 2110 00	HEXAGON NUT	2
365	0301 2335 00	PLAIN WASHER	4
370	1615 6219 02	CHAIN	1
-	1079 0003 32	SILENCING FOAM 2000 mm x 1500 mm x 30 mm	
-	1079 0001 91	SILENCING FOAM 2000 mm x 1500 mm x 40 mm	
-	1079 0003 33	SILENCING FOAM 2000 mm x 1500 mm x 50 mm	



REF	PART NUMBER	DESIGNATION	QTY
15	1604 2527 08	FRAME	1
20	1604 2685 00	AXLE (REAR)	1
		(For details see page 140)	
25	0301 2378 00	PLAIN WASHER	8
30	0147 1958 96	HEX. HEAD SCREW	8
40	1604 2813 00	BRAKE CABLE	2
50	1604 2682 01	AXLE (FRONT)	1
55	0301 2378 00	PLAIN WASHER	8
60	0147 1958 96	HEX. HEAD SCREW	8
80	1604 2691 02	TOWBAR	1
		(For details see page 141)	
120	1615 7620 00	CHAIN (TOWBAR)	1
121	1615 7776 00	COUPLING LINK	1
122	1615 7777 00	ANCHOR PLATE	1
150	1604 2794 80	TYRE ASSY	4
		(For details see page 143)	
160	1079 9917 96	INFORMATION LABEL	2
170	1079 9917 99	INFORMATION LABEL	2
230	0147 1465 03	HEX. HEAD SCREW	2
235	0147 1962 18	HEX. HEAD SCREW	2
240	0301 2358 00	PLAIN WASHER	4
245	1604 4346 02	MUDGUARD	4
255	1615 5664 00	SCRAPER BOLT	12
280	1604 2805 02	PROTECTION	2
285	1615 5664 00	SCRAPER BOLT	8
340	1079 3463 07	U-BOLT	1
345	0266 2110 00	HEXAGON NUT	2
350	0301 2335 00	PLAIN WASHER	4
355	1079 3463 07	U-BOLT	1
360	0266 2110 00	HEXAGON NUT	2
365	0301 2335 00	PLAIN WASHER	4
370	1615 6219 02	CHAIN	1

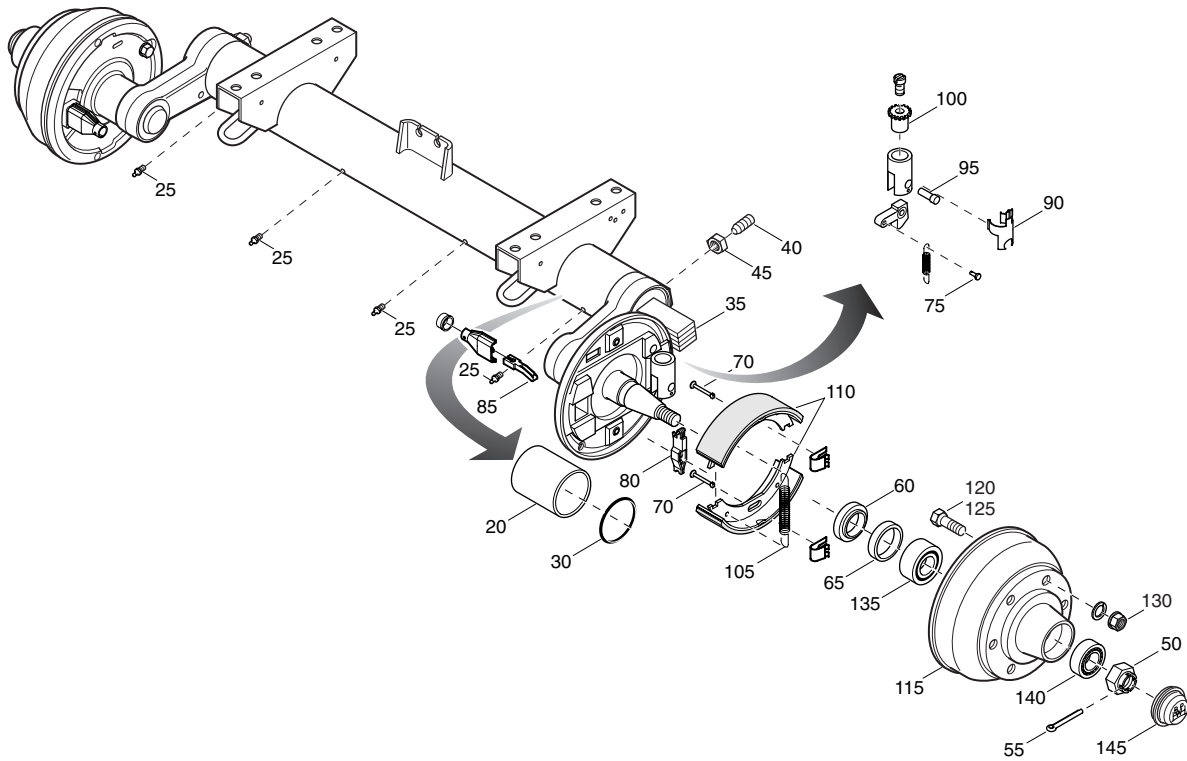
OPTION



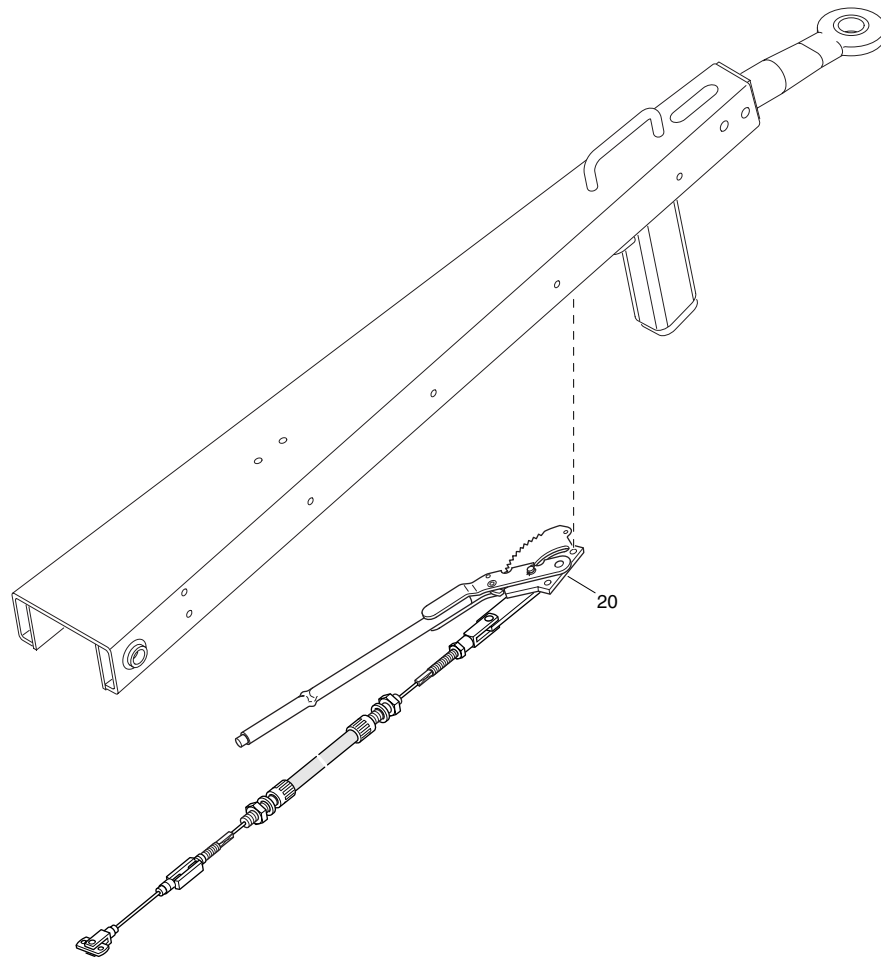
## OPTION

REF	PART NUMBER	DESIGNATION	QTY	REF	PART NUMBER	DESIGNATION	QTY
15	1604 4239 03	FRAME	1	462	0291 1110 00	LOCKNUT	2
20	1604 4526 00	AXLE (REAR)	1	470	0301 2335 00	PLAIN WASHER	8
25	0301 2378 00	PLAIN WASHER	8	480	0291 1110 00	LOCKNUT	4
30	0147 1958 96	HEX. HEAD SCREW	8	490	0147 1326 03	HEX. HEAD SCREW	4
35	1604 3528 01	BRAKE CABLE	2	500	1604 4704 00	STRIP	1
50	1604 4526 00	AXLE (REAR)	1	505	0147 1259 03	HEX. HEAD SCREW	2
55	0301 2378 00	PLAIN WASHER	8	510	0301 2321 00	PLAIN WASHER	2
60	0147 1958 96	HEX. HEAD SCREW	8	580	0346 1000 17	PIPE CLAMP	24
80	1604 4786 01	TOWBAR	1	590	0147 1246 03	HEX. HEAD SCREW	24
90	0147 1962 20	HEX. HEAD SCREW	10	600	0333 3220 00	LOCK WASHER	24
95	0300 0274 96	PLAIN WASHER	4	610	0266 2108 00	HEXAGON NUT	24
100	0301 2378 00	PLAIN WASHER	6	710	1202 5211 00	SEAL	AR
150	1615 9260 81	TYRE ASS'Y (For details see page 144)	4	720	1615 6478 01	BRACKET	1
160	1079 9922 05	INFORMATION LABEL	2	730	1615 5664 00	SCRAPER BOLT	1
200	1604 2808 04	SUPPORT	2	740	1615 5614 00	BRACKET	2
205	0301 2378 00	PLAIN WASHER	8	750	0147 1249 03	HEX. HEAD SCREW	2
210	0147 1958 96	HEX. HEAD SCREW	8	760	1604 3674 00	CABLE	1
230	0147 1465 03	HEX. HEAD SCREW	2	800	1604 4817 00	PLATE	2
235	0147 1962 18	HEX. HEAD SCREW	2	810	0129 3110 00	BLIND RIVET	4
240	0301 2358 00	PLAIN WASHER	4	-	1079 0003 32	SILENCING FOAM 2000 mm x 1500 mm x 30 mm	
260	1604 3588 00	PROTECTION	1	-	1079 0001 91	SILENCING FOAM 2000 mm x 1500 mm x 40 mm	
262	1615 5664 00	SCRAPER BOLT	4	-	1079 0003 33	SILENCING FOAM 2000 mm x 1500 mm x 50 mm	
263	-	SILENCING FOAM	1				
264	-	SILENCING FOAM	1				
265	1604 3589 00	PROTECTION	1				
267	1615 5664 00	SCRAPER BOLT	5				
268	-	SILENCING FOAM	1				
269	-	SILENCING FOAM	1				
270	1604 3590 00	PROTECTION	1				
275	1615 5664 00	SCRAPER BOLT	5				
277	-	SILENCING FOAM	1				
278	-	SILENCING FOAM	1				
280	1604 3587 00	PROTECTION	1				
285	1615 5664 00	SCRAPER BOLT	4				
287	-	SILENCING FOAM	1				
288	-	SILENCING FOAM	1				
300	1604 3763 01	PLATE	2				
310	1619 2766 00	BOLT	6				
320	1604 4346 02	MUDGUARD	4				
330	1615 5664 00	SCRAPER BOLT	12				
340	1088 0801 53	GROMMET	1				
345	1604 4363 00	HOSE	AR				
347	1604 4364 00	HOSE	AR				
348	1604 4365 00	HOSE	AR				
350	1604 5135 00	BRAKE ABS TD (For details see page 148)	1				
355	1604 3350 00	SUPPORT	1				
360	1615 5664 00	SCRAPER BOLT	3				
370	1604 3351 00	CLAMP	1				
375	1615 5664 00	SCRAPER BOLT	2				
380	1604 4843 00	BRACKET	1				
390	1615 5664 00	SCRAPER BOLT	4				
400	0147 1249 03	HEX. HEAD SCREW	4				
410	1604 4844 00	SUPPORT	1				
420	1615 5664 00	SCRAPER BOLT	4				
430	0147 1336 03	HEX. HEAD SCREW	4				
440	0301 2335 00	PLAIN WASHER	4				
450	0266 2110 00	HEXAGON NUT	4				
460	0147 1329 03	HEX. HEAD SCREW	2				
461	0301 2335 00	PLAIN WASHER	2				

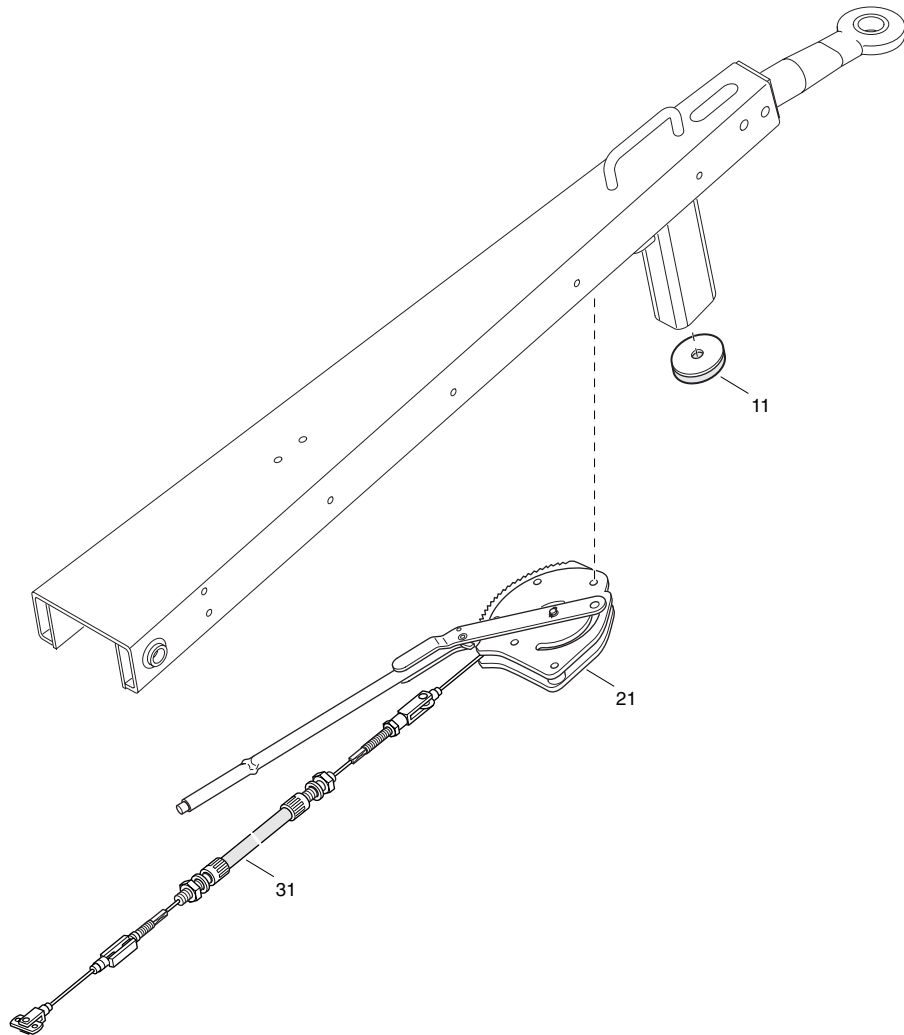
**OPTION**



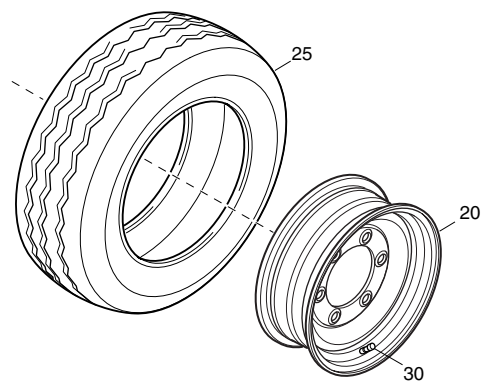
REF	PART NUMBER	DESIGNATION	QTY	REF	PART NUMBER	DESIGNATION	QTY
-	1604 2685 00	AXLE (REAR)		•135	2914 0351 00	BEARING	2
•20	2914 0326 00	BUSHING	8	•140	1619 3815 00	BEARING	2
•25	2914 0327 00	GREASE NIPPLE	4	•145	1619 2468 00	CAP	2
•30	1619 2445 00	O-RING	2				
•35	2914 0330 00	TORSION BAR	1				
•40	1619 2444 00	BOLT	2				
•45	1619 3809 00	NUT	2				
•50	1619 3822 00	CASTLED NUT	2				
•55	2914 0086 00	SPLIT PIN	2				
•60	2914 0331 00	RING	2				
•65	2914 0332 00	SEAL RING	2				
•70	2914 0312 00	SHACKLE	4				
•75	2914 0313 00	SHACKLE	2				
•80	2914 0314 00	CLASP	2				
•85	2914 0315 00	SHACKLE	2				
•90	2914 0316 00	RETAINER	2				
•95	2914 0317 00	ADJUSTING NUT	2				
•100	2914 0318 00	ADJUSTING BOLT	2				
•105	2914 0319 00	SPRING	2				
•110	2914 2235 00	BRAKE SHOE	4				
•115	2914 0349 00	DRUM	2				
•120	2914 0350 00	WHEEL BOLT	12				
•125	1619 0319 00	SPRING WASHER	12				
•130	1619 0296 00	NUT	12				



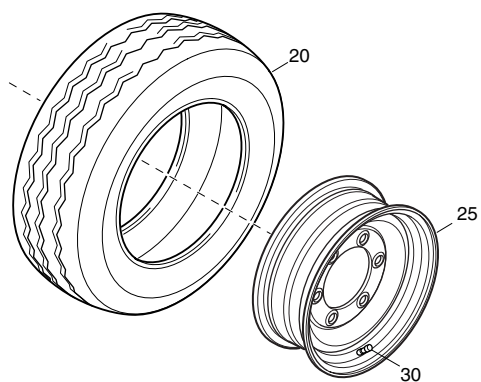
REF	PART NUMBER	DESIGNATION	QTY
-	1604 2691 02	TOWBAR	
•20	1604 2796 02	BRAKE CABLE	1



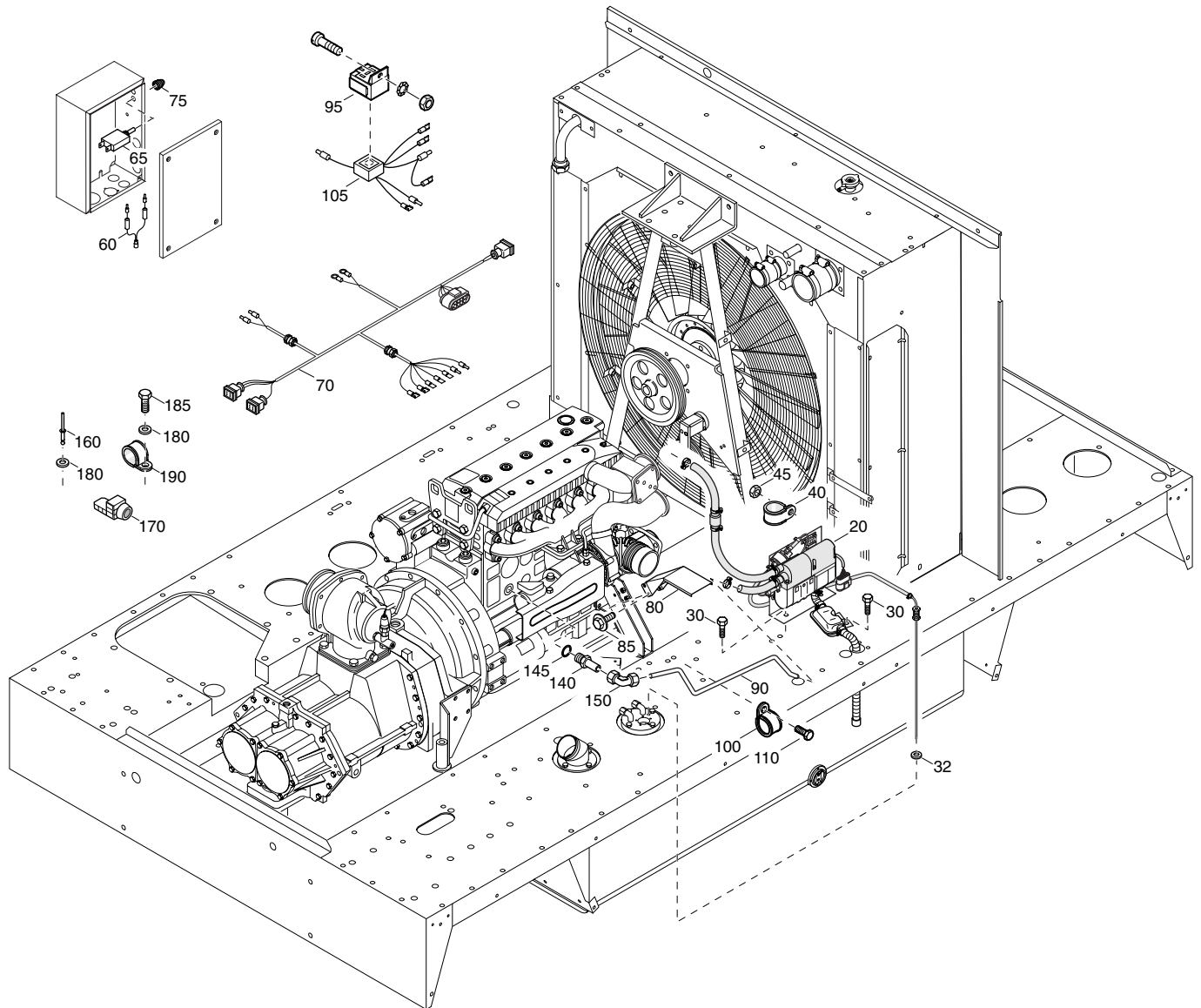
REF	PART NUMBER	DESIGNATION	QTY
-	1604 5304 00	TOWBAR ABS	
•11	2914 2061 00	FOOT	1
•21	2914 2340 00	HAND BRAKE	1
•31	2914 2341 00	BRAKE CABLE	1



REF	PART NUMBER	DESIGNATION	QTY
-	1604 2794 80	TYRE ASSY	4
•20	1604 2794 00	RIM	1
•25	0380 0000 09	TYRE	1
•30	1604 2795 00	VALVE	1

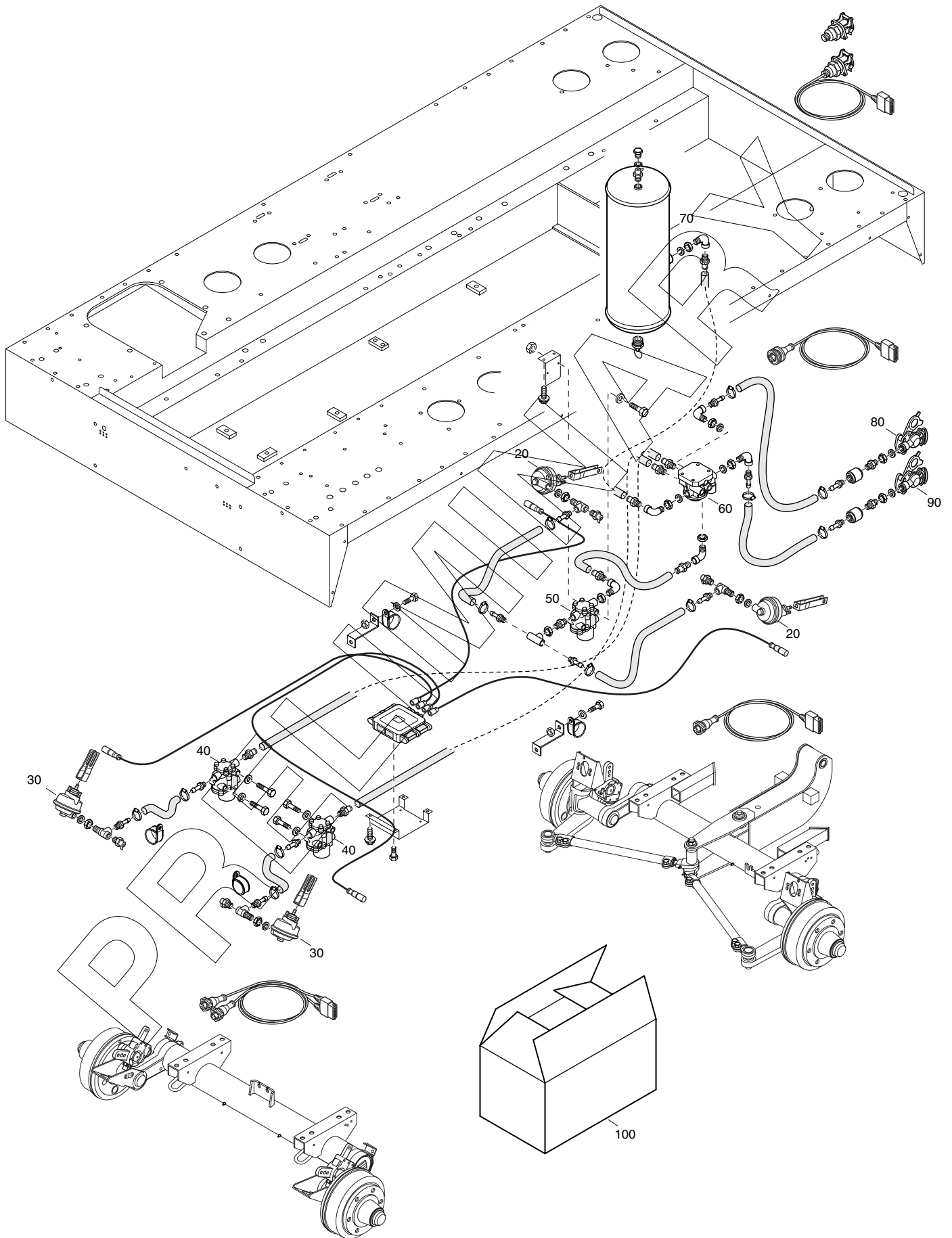


REF	PART NUMBER	DESIGNATION	QTY
-	1615 9260 81	TYRE ASS'Y	
•20	0538 0400 19	TYRE	1
•25	1604 3341 00	RIM ( 17.5 X 6.00 )	1
•30	1615 6691 00	VENTIL	1



REF	PART NUMBER	DESIGNATION	QTY	REF	PART NUMBER	DESIGNATION	QTY
20	1604 4690 02	HEATER KIT	1	170	1089 0362 45	CONTACT BLOCK	1
30	1619 2766 00	BOLT	3	180	0300 0274 35	PLAIN WASHER	4
32	0653 1046 00	FLAT GASKET	1	185	0147 1247 03	HEX. HEAD SCREW	2
40	1613 0801 07	CLAMP	2	190	1619 2861 08	CLAMP	2
45	0266 2108 00	HEXAGON NUT	2				
60	1604 5255 00	WIRE	1				
65	1089 9206 12	CIRCUIT BREAKER	1				
70	1604 4691 02	WIRE HARNESS	1				
75	1089 9206 59	PROTECTION CAP	1				
80	1604 4696 01	SHIELD	1				
85	1619 2766 00	BOLT	4				
90	1604 4694 00	PIPE	1				
95	1604 3672 01	RELAY	1				
100	1619 2861 08	CLAMP	1				
105	1089 9457 07	CONNECTOR	1				
110	0147 1247 03	HEX. HEAD SCREW	1				
140	0580 0500 29	MALE ADAPTER	1				
145	0653 1115 00	FLAT GASKET	1				
150	3176 5791 00	PIPE COUPLING	1				
160	0129 3110 00	BLIND RIVET	2				

OPTION



---

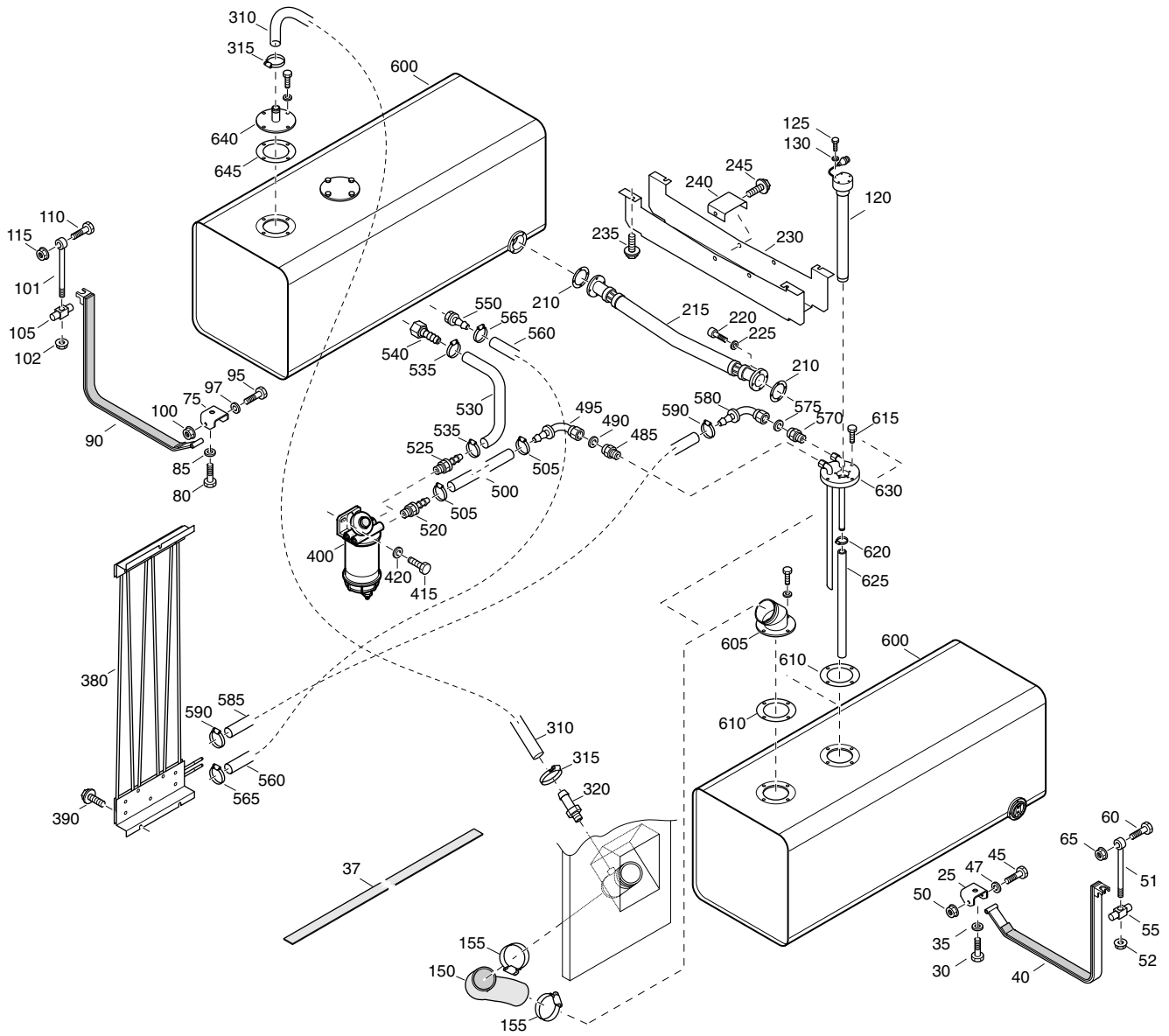
<b>REF</b>	<b>PART NUMBER</b>	<b>DESIGNATION</b>	<b>QTY</b>
-	1604 3668 01	BRAKE ABS	
•20	1604 4802 00	BRAKE CHAMBER ASSY FRONT	2
•30	1604 4803 00	BRAKE CHAMBER ASSY REAR	2
•40	1604 4804 00	MODULATOR ASSY REAR	2
•50	1604 4805 00	MODULATOR ASSY FRONT	1
•60	1604 4806 00	RELAY EMERGENCY VALVE ASSY	1
•70	1604 4807 00	VESSEL ASSY	1
•80	1604 4808 00	COUPLING ASSY BRAKE SIGNAL	1
•90	1604 4809 00	COUPLING ASSY SYSTEM SUPPLY	1
•100	1604 4810 00	BRAKE SYSTEM	1
		(Set of fitting material)	

DRAWING NOT AVAILABLE YET

---

REF	PART NUMBER	DESIGNATION	QTY
-	1604 5135 00	BRAKE ABS TD	
•20	1604 5140 00	BRAKE CHAMBER ASSY	1
•25	1604 4802 00	BRAKE CHAMBER ASSY FRONT	1
•30	1604 5136 00	BRAKE CHAMBER ASSY	1
•35	1604 4803 00	BRAKE CHAMBER ASSY REAR	1
•40	1604 5137 00	MODULATOR ASSY	2
•60	1604 5138 00	RELAY EMERGENCY VALVE	1
•70	1604 4807 00	VESSEL ASSY	1
•80	1604 4808 00	COUPLING ASSY BRAKE SIGNAL	1
•90	1604 4809 00	COUPLING ASSY SYSTEM SUPPLY	1
•100	1604 5139 00	BRAKE SYSTEM (Set of fitting material)	1

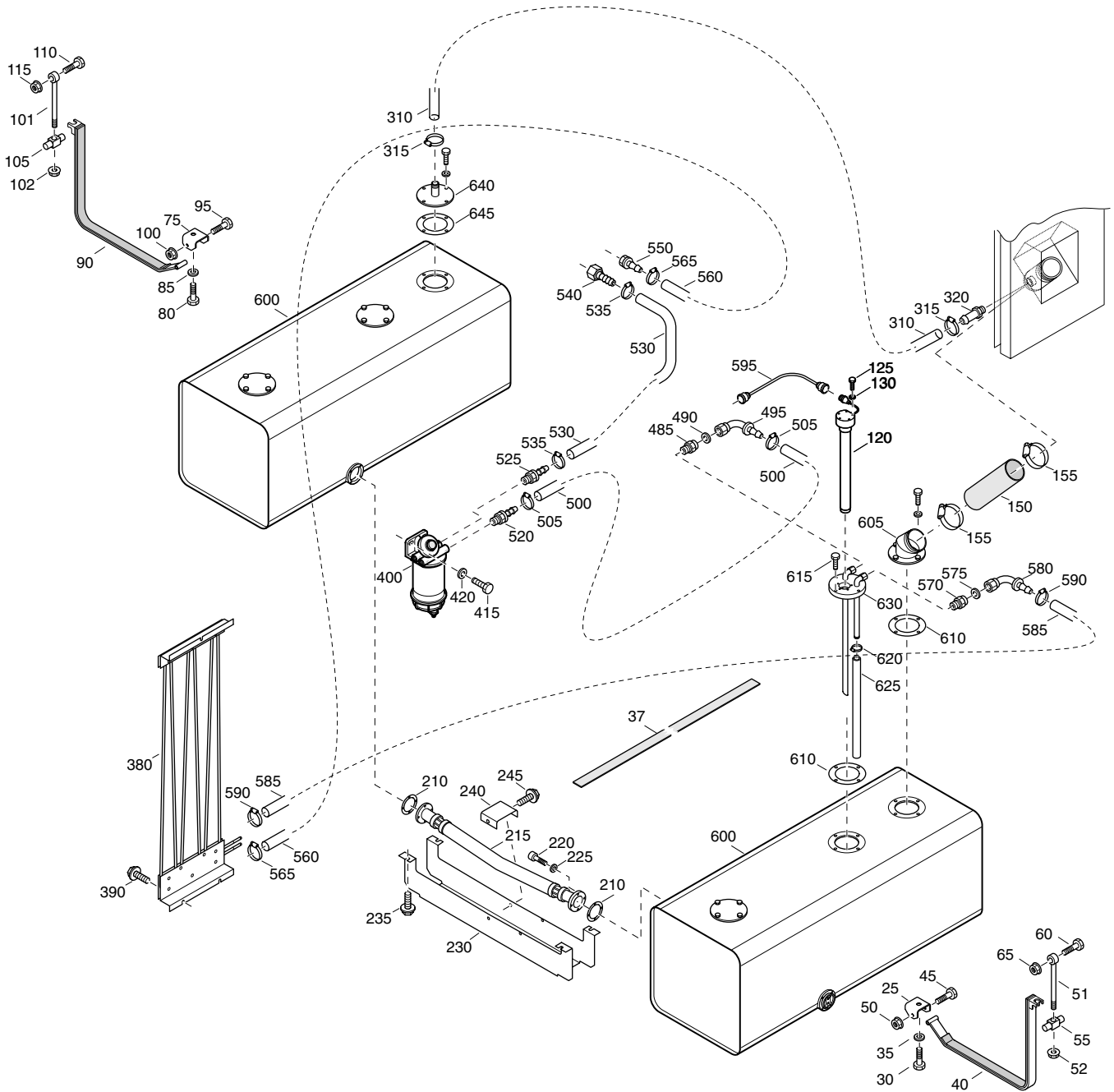
OPTION



## OPTION

REF	PART NUMBER	DESIGNATION	QTY	REF	PART NUMBER	DESIGNATION	QTY
25	1604 2492 02	SUPPORT	2	580	1604 2799 00	ELBOW	1
30	0147 1401 03	HEX. HEAD SCREW	2	585	0071 8402 90	FUEL HOSE	AR
35	0301 2378 00	PLAIN WASHER	2	590	0347 6103 00	HOSE CLAMP	2
37	1604 1275 00	SEAL	AR	600	1604 2466 92	FUELTANK ASSY	2
40	1604 2473 00	SUPPORT	2			(For details see page 154)	
45	0147 1377 03	HEX. HEAD SCREW	2	605	1604 2781 01	CONNECTION	1
47	0301 2344 00	PLAIN WASHER	4	610	1604 2780 01	GASKET	2
50	0291 1111 00	LOCKNUT	2	615	0147 1250 03	HEX. HEAD SCREW	4
51	0226 9920 14	LINK SCREW	2	620	0347 6108 00	HOSE CLAMP	1
52	0291 1111 00	LOCKNUT	2	625	0071 8403 16	FUEL HOSE	AR
55	1604 2471 00	RETAINER	2	630	1604 4399 01	MANIFOLD	1
60	0147 1343 03	HEX. HEAD SCREW	2	640	1604 2779 01	CONNECTION	1
65	0291 1110 00	LOCKNUT	2	645	1604 2780 01	GASKET	1
75	1604 2492 02	SUPPORT	2				
80	0147 1401 03	HEX. HEAD SCREW	2				
85	0301 2378 00	PLAIN WASHER	2				
90	1604 2473 00	SUPPORT	2				
95	0147 1377 03	HEX. HEAD SCREW	2				
97	0301 2344 00	PLAIN WASHER	4				
100	0291 1111 00	LOCKNUT	2				
101	0226 9920 14	LINK SCREW	2				
102	0291 1111 00	LOCKNUT	2				
105	1604 2471 00	RETAINER	2				
110	0147 1343 03	HEX. HEAD SCREW	2				
115	0291 1110 00	LOCKNUT	2				
120	1089 0659 03	LEVEL SENSOR	1				
125	0147 1212 03	HEX. HEAD SCREW	5				
130	0301 2318 00	PLAIN WASHER	5				
150	1604 2782 00	HOSE	1				
155	0347 6100 22	HOSE CLAMP	2				
210	1604 2582 00	GASKET	2				
215	1604 2583 00	HOSE ASSEMBLY	1				
220	0211 1249 03	HEX SOCK. SCREW	8				
225	0301 2321 00	PLAIN WASHER	8				
230	1604 2511 05	PROTECTION	1				
235	1615 5664 00	HEX. HEAD SCREW	4				
240	1604 4338 00	PROTECTION	1				
245	1615 5664 00	HEX. HEAD SCREW	2				
310	0099 9910 47	PLASTIC TUBE	AR				
315	0347 6108 00	HOSE CLAMP	2				
320	9000 0246 00	HOSE NIPPLE	1				
380	1604 2742 00	FUEL COOLER	1				
390	1615 5664 00	HEX. HEAD SCREW	3				
400	1615 7397 00	FUELFILTER (WATERSEP.)	1				
415	0147 1363 03	HEX. HEAD SCREW	2				
420	0301 2344 00	PLAIN WASHER	2				
485	1079 5840 21	BUSHING	1				
490	0653 1128 00	FLAT GASKET	1				
495	0571 0020 43	HOSE NIPPLE	1				
500	0071 8403 01	FUEL HOSE	AR				
505	0347 6106 00	HOSE CLAMP	2				
520	0571 0020 40	HOSE NIPPLE	1				
525	0571 0020 40	HOSE NIPPLE	1				
530	0071 8403 01	FUEL HOSE	AR				
535	0347 6106 00	HOSE CLAMP	2				
540	1604 5754 00	HOSE NIPPLE	1				
550	1604 2752 00	HOSE NIPPLE	1				
560	0071 8402 90	FUEL HOSE	AR				
565	0347 6103 00	HOSE CLAMP	2				
570	1079 5840 28	HEXAGON NIPPLE	1				
575	0653 1100 00	FLAT GASKET	1				

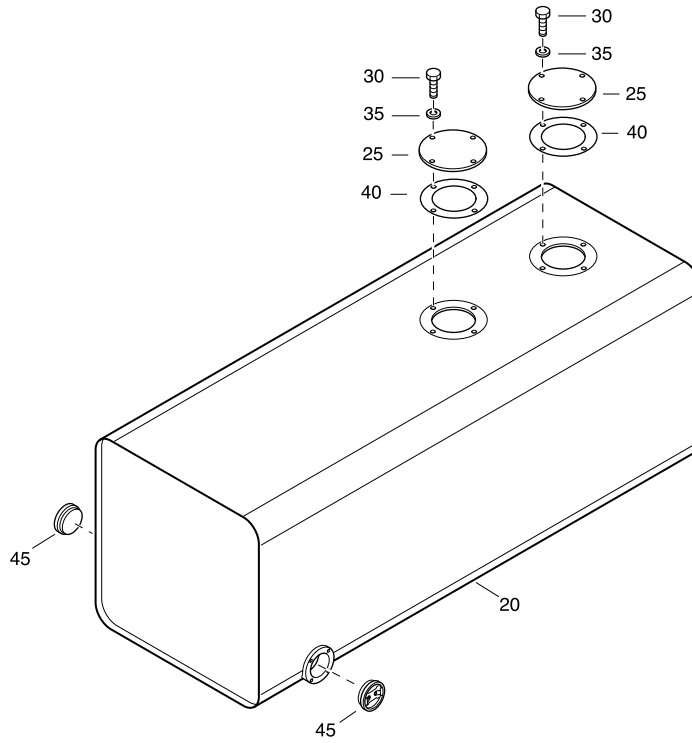
OPTION



## OPTION

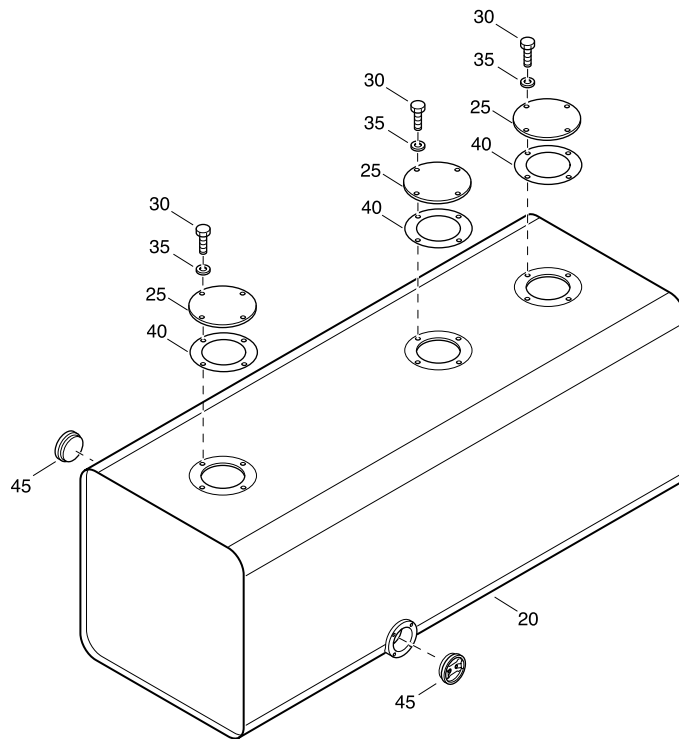
REF	PART NUMBER	DESIGNATION	QTY	REF	PART NUMBER	DESIGNATION	QTY
25	1604 2492 02	SUPPORT	2	590	0347 6103 00	HOSE CLAMP	2
30	0147 1401 03	HEX. HEAD SCREW	2	595	1604 4369 00	WIRE	1
35	0301 2358 00	PLAIN WASHER	2	600	1604 4105 84	FUELTANK ASSY	2
37	1604 1275 00	SEAL	AR			(For details see page 155)	
40	1604 2473 00	SUPPORT	2	605	1604 2781 01	CONNECTION	1
45	0147 1377 03	HEX. HEAD SCREW	2	610	1604 2780 01	GASKET	2
50	0291 1111 00	LOCKNUT	2	615	0147 1250 03	HEX. HEAD SCREW	4
51	0226 9920 14	LINK SCREW	2	620	0347 6108 00	HOSE CLAMP	1
52	0291 1111 00	LOCKNUT	2	625	0071 8403 16	FUEL HOSE	AR
55	1604 2471 00	RETAINER	2	630	1604 4399 01	MANIFOLD	1
60	0147 1343 03	HEX. HEAD SCREW	2	640	1604 2779 01	CONNECTION	1
65	0291 1110 00	LOCKNUT	2	645	1604 2780 01	GASKET	1
75	1604 2492 02	SUPPORT	2				
80	0147 1401 03	HEX. HEAD SCREW	2				
85	0301 2358 00	PLAIN WASHER	2				
90	1604 2473 00	SUPPORT	2				
95	0147 1377 03	HEX. HEAD SCREW	2				
100	0291 1111 00	LOCKNUT	2				
101	0226 9920 14	LINK SCREW	2				
102	0291 1111 00	LOCKNUT	2				
105	1604 2471 00	RETAINER	2				
110	0147 1343 03	HEX. HEAD SCREW	2				
115	0291 1110 00	LOCKNUT	2				
120	1089 0659 03	LEVEL SENSOR	1				
125	0147 1212 03	HEX. HEAD SCREW	5				
130	0301 2318 00	PLAIN WASHER	5				
150	1604 3546 00	HOSE	1				
155	0347 6100 22	HOSE CLAMP	2				
210	1604 2582 00	GASKET	2				
215	1604 2583 00	HOSE ASSEMBLY	1				
220	0211 1249 03	HEX SOCK. SCREW	8				
225	0303 1274 04	PLAIN WASHER	8				
230	1604 2511 05	PROTECTION	1				
235	1615 5664 00	HEX. HEAD SCREW	4				
240	1604 4338 00	PROTECTION	1				
245	1615 5664 00	HEX. HEAD SCREW	2				
310	0075 4025 23	FUEL HOSE	AR				
315	0347 6110 00	HOSE CLAMP	2				
320	9000 0246 00	HOSE NIPPLE	1				
380	1604 2742 00	FUEL COOLER	1				
390	1615 5664 00	HEX. HEAD SCREW	3				
400	1615 7397 00	FUELFILTER (WATERSEP.)	1				
415	0147 1363 03	HEX. HEAD SCREW	2				
420	0301 2344 00	PLAIN WASHER	2				
485	1079 5840 21	BUSHING	1				
490	0653 1128 00	FLAT GASKET	1				
495	0571 0020 43	HOSE NIPPLE	1				
500	0071 8403 01	FUEL HOSE	AR				
505	0347 6106 00	HOSE CLAMP	2				
520	0571 0020 40	HOSE NIPPLE	1				
525	0571 0020 40	HOSE NIPPLE	1				
530	0071 8403 01	FUEL HOSE	AR				
535	0347 6103 00	HOSE CLAMP	2				
540	1604 5754 00	HOSE NIPPLE	1				
550	1604 2752 00	HOSE NIPPLE	1				
560	0071 8402 90	FUEL HOSE	AR				
565	0347 6103 00	HOSE CLAMP	2				
570	1079 5840 28	HEXAGON NIPPLE	1				
575	0653 1100 00	FLAT GASKET	1				
580	1604 2799 00	ELBOW	1				
585	0071 8402 90	FUEL HOSE	AR				

**OPTION**



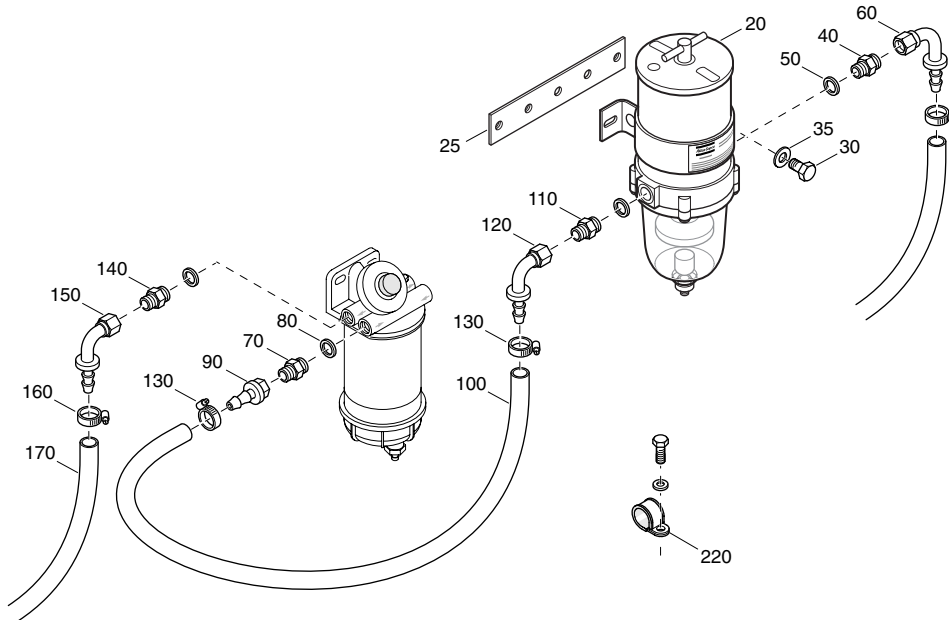
REF	PART NUMBER	DESIGNATION	QTY
-	1604 2466 92	FUELTANK ASSY	
•20	1604 2466 02	FUELTANK	1
•25	1604 2783 01	FLANGE	2
•30	0147 1247 03	HEX. HEAD SCREW	8
•35	0301 2321 00	PLAIN WASHER	8
•40	1604 2780 01	GASKET	2
•45	1613 2655 00	PLUG	2

**OPTION**

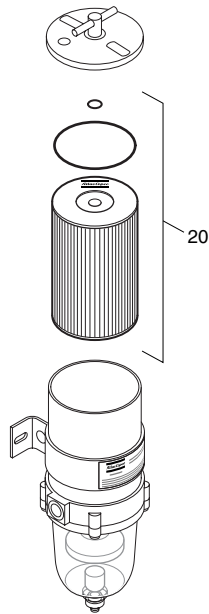


REF	PART NUMBER	DESIGNATION	QTY
-	1604 4105 84	FUELTANK ASSY	
•20	1604 4105 00	FUELTANK	1
•25	1604 2783 01	FLANGE	3
•30	0147 1247 03	HEX. HEAD SCREW	12
•35	0301 2321 00	PLAIN WASHER	12
•40	1604 2780 01	GASKET	3
•45	1613 2655 00	PLUG	2

**OPTION**

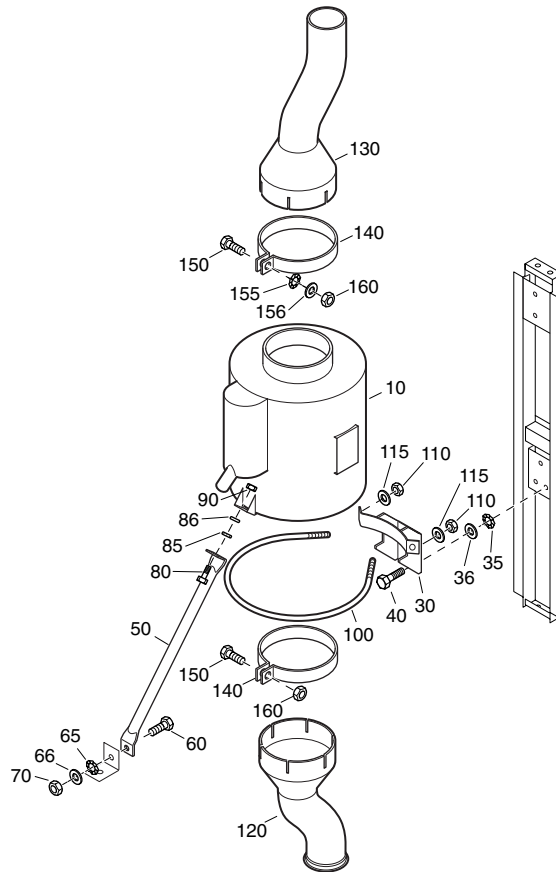


REF	PART NUMBER	DESIGNATION	QTY
20	1604 5491 00	FUELFILTER (For details see page 157)	1
25	1604 5474 00	BRACKET	1
30	0147 1363 03	HEX. HEAD SCREW	3
35	0301 2344 00	PLAIN WASHER	3
40	0582 0000 56	BODY	1
50	0653 1128 00	FLAT GASKET	1
60	0571 0020 43	HOSE NIPPLE	1
70	0582 0000 56	BODY	1
80	0653 1128 00	FLAT GASKET	1
90	0571 0020 43	HOSE NIPPLE	1
100	0071 8403 01	FUEL HOSE	AR
110	0582 0000 58	BODY	1
120	1604 2799 00	ELBOW	1
130	0347 6106 00	HOSE CLAMP	2
140	0582 0000 57	BODY	1
150	1604 2799 00	ELBOW	1
160	0347 6103 00	HOSE CLAMP	2
170	0071 8402 90	FUEL HOSE	AR
220	1613 0801 03	PIPE CLAMP	2

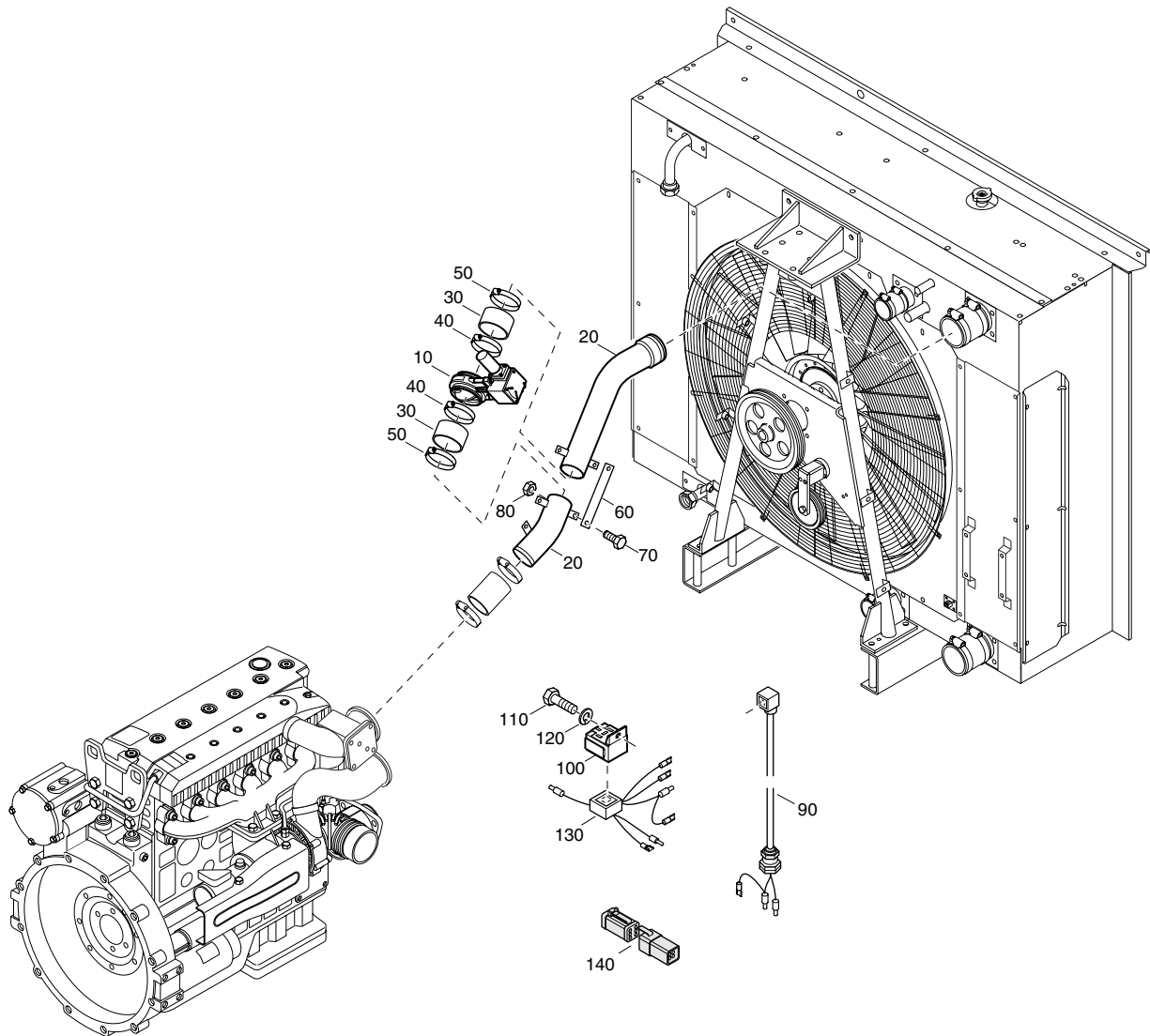


REF	PART NUMBER	DESIGNATION	QTY
-	1604 5491 00	FUELFILTER	
•20	2914 8307 00	FUELFILTER ELEMENT	1

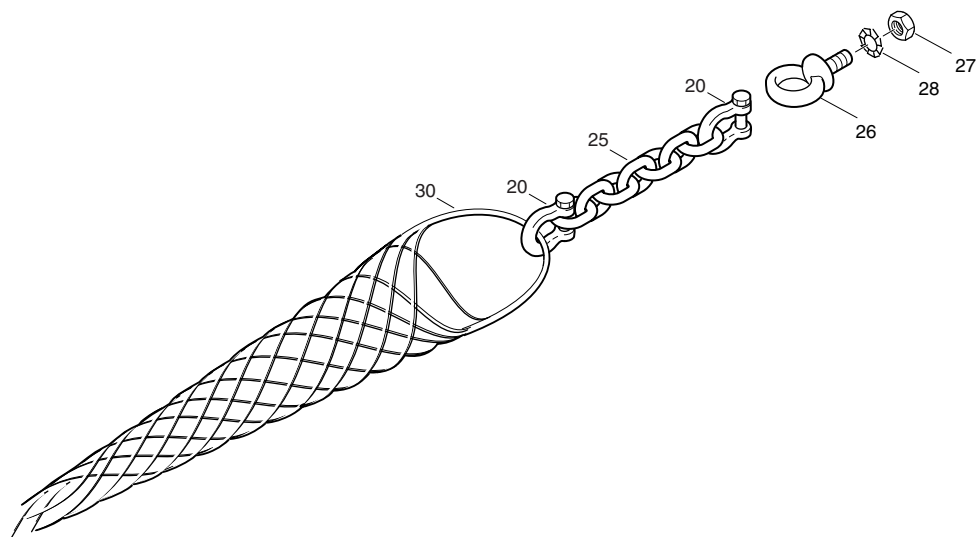
## OPTION



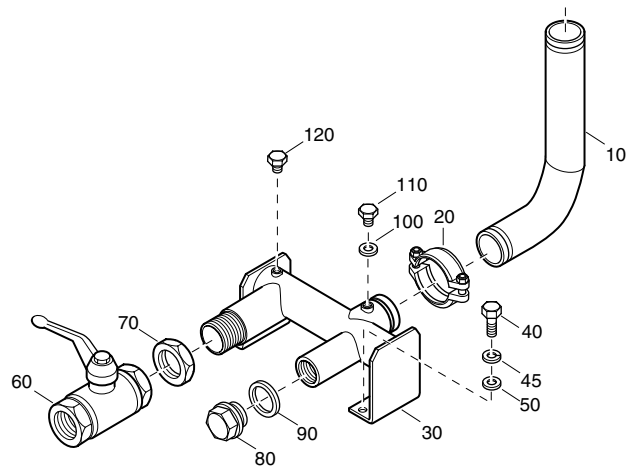
REF	PART NUMBER	DESIGNATION	QTY	REF	PART NUMBER	DESIGNATION	QTY
10	1604 3713 00	SPARK ARRESTOR	1	150	0147 1326 03	HEX. HEAD SCREW	2
30	1604 3718 00	BRACKET	1	155	0333 3227 00	LOCK WASHER	1
35	0333 3232 00	LOCK WASHER	3	156	0301 2335 00	PLAIN WASHER	1
36	0301 2344 00	PLAIN WASHER	3	160	0266 2110 00	HEXAGON NUT	2
40	0147 1360 03	HEX. HEAD SCREW	3				
50	1604 3720 00	BRACKET	1				
60	0147 1360 03	HEX. HEAD SCREW	1				
65	0333 3232 00	LOCK WASHER	1				
66	0301 2344 00	PLAIN WASHER	1				
70	0266 2111 00	HEXAGON NUT	1				
80	0147 1323 03	HEX. HEAD SCREW	1				
85	0333 3227 00	LOCK WASHER	1				
86	0301 2335 00	PLAIN WASHER	1				
90	0266 2110 00	HEXAGON NUT	1				
100	1604 3719 00	CLAMP	1				
110	0266 2110 00	HEXAGON NUT	2				
115	0301 2335 00	PLAIN WASHER	2				
120	1604 3714 00	EXHAUST PIPE	1				
130	1604 3715 00	EXHAUST PIPE	1				
140	0347 6200 24	HOSE CLAMP	2				



REF	PART NUMBER	DESIGNATION	QTY
10	1604 1398 00	AIR INLET VALVE	1
20	1604 3556 00	AIR DUCT	1
30	1604 2112 00	HOSE	2
40	0347 6117 00	HOSE CLAMP	2
50	0347 6100 23	HOSE CLAMP	2
60	1604 3557 00	BRACKET	2
70	0147 1323 03	HEX. HEAD SCREW	4
80	0266 2110 00	HEXAGON NUT	4
90	1604 3709 01	CABLE	1
100	1089 0341 02	RELAY	1
110	0147 1204 03	HEX. HEAD SCREW	1
120	0333 3150 00	LOCK WASHER	1
130	1604 3672 01	RELAY	1
140	1604 3742 00	CONNECTION	1

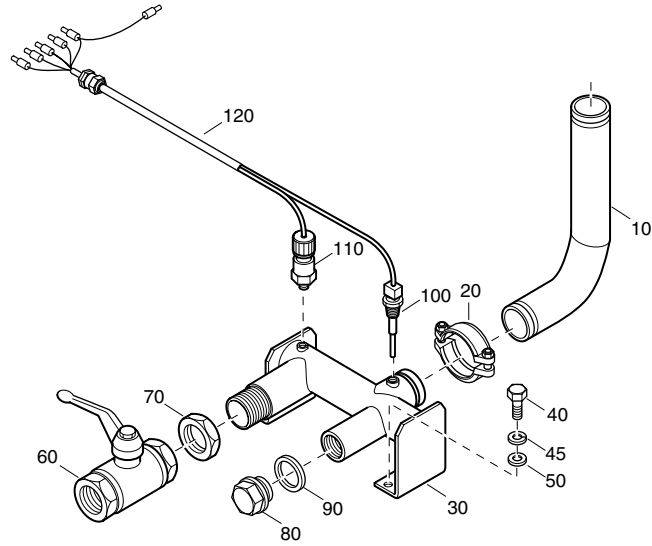


REF	PART NUMBER	DESIGNATION	QTY
20	0372 4100 08	BOW SHACKLE	2
25	3163 1853 00	CHAIN	1
26	0371 1100 21	LIFTING EYE	1
27	0266 2111 00	HEXAGON NUT	1
28	0333 3232 00	LOCK WASHER	1
30	3163 1852 00	WIRE MESH HOSE	1



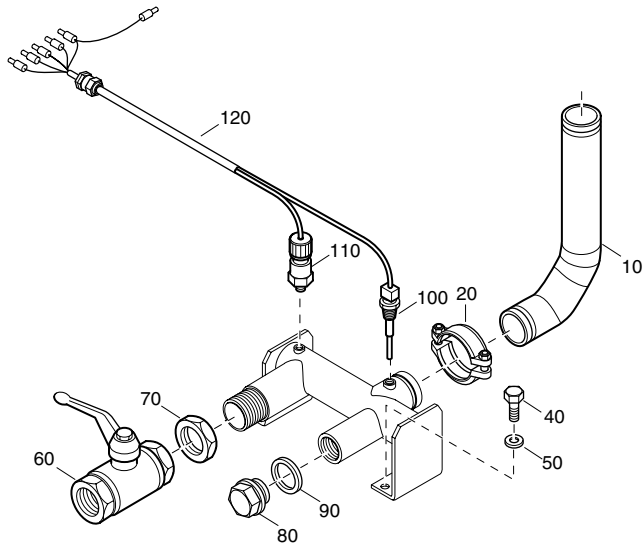
REF	PART NUMBER	DESIGNATION	QTY
10	1604 2525 01	PIPE	1
20	0634 1000 59	PIPE COUPLING	1
30	1604 2526 03	MANIFOLD	1
40	0147 1362 03	HEX. HEAD SCREW	4
45	0333 3232 00	LOCK WASHER	4
50	0301 2344 00	PLAIN WASHER	4
60	1619 6153 09	BALL VALVE	1
70	0623 2100 09	BACKNUT	1
80	0686 3716 10	HEXAGON PLUG	1
90	0653 1254 00	FLAT GASKET	1
100	0661 1026 00	SEALING WASHER	1
110	0686 4203 00	HEXAGON PLUG	1
120	0686 3115 18	PLUG	1

**OPTION**

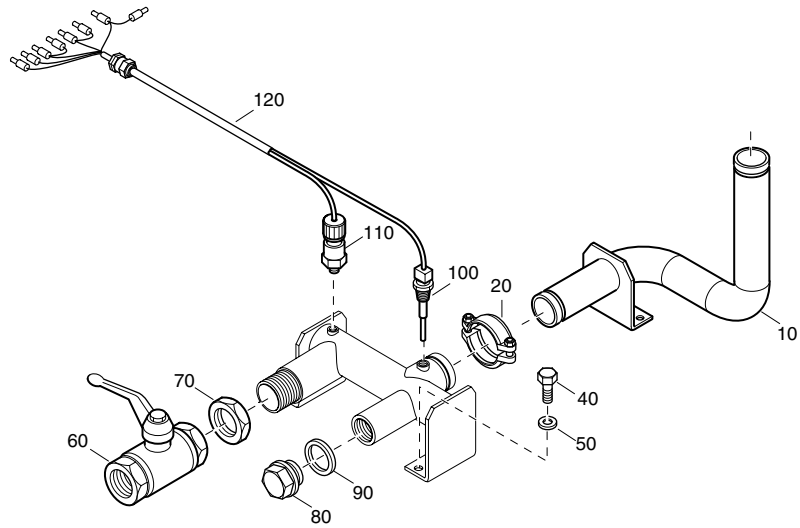


REF	PART NUMBER	DESIGNATION	QTY
10	1604 2525 01	PIPE	1
20	0634 1000 59	PIPE COUPLING	1
30	1604 2526 03	MANIFOLD	1
40	0147 1362 03	HEX. HEAD SCREW	4
45	0333 3232 00	LOCK WASHER	4
50	0301 2344 00	PLAIN WASHER	4
60	1619 6153 09	BALL VALVE	1
70	0623 2100 09	BACKNUT	1
80	0686 3716 10	HEXAGON PLUG	1
90	0653 1254 00	FLAT GASKET	1
100	1089 0574 40	TEMPERATURE SENSOR	1
110	1089 9579 55	PRESSURE SENSOR	1
120	1604 3799 00	WIRE HARNESS	1

**OPTION**

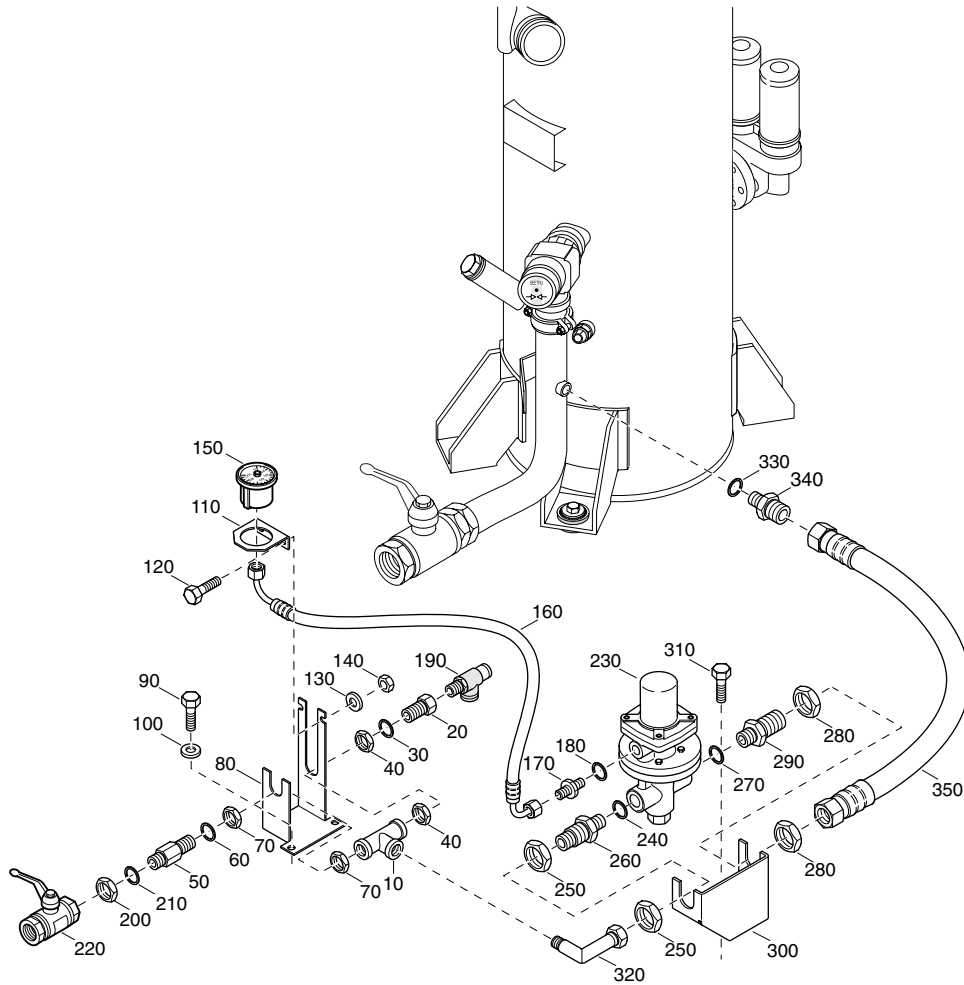


REF	PART NUMBER	DESIGNATION	QTY
10	1604 2525 01	PIPE	1
20	0634 1000 59	PIPE COUPLING	1
40	0147 1362 03	HEX. HEAD SCREW	4
50	0301 2344 00	PLAIN WASHER	4
60	1619 6153 09	BALL VALVE	1
70	0623 2100 09	BACKNUT	1
80	0686 3716 10	HEXAGON PLUG	1
90	0653 1254 00	FLAT GASKET	1
100	1089 0574 40	TEMPERATURE SENSOR	1
110	1089 9579 55	PRESSURE SENSOR	1
120	1604 3799 00	WIRE HARNESS	1

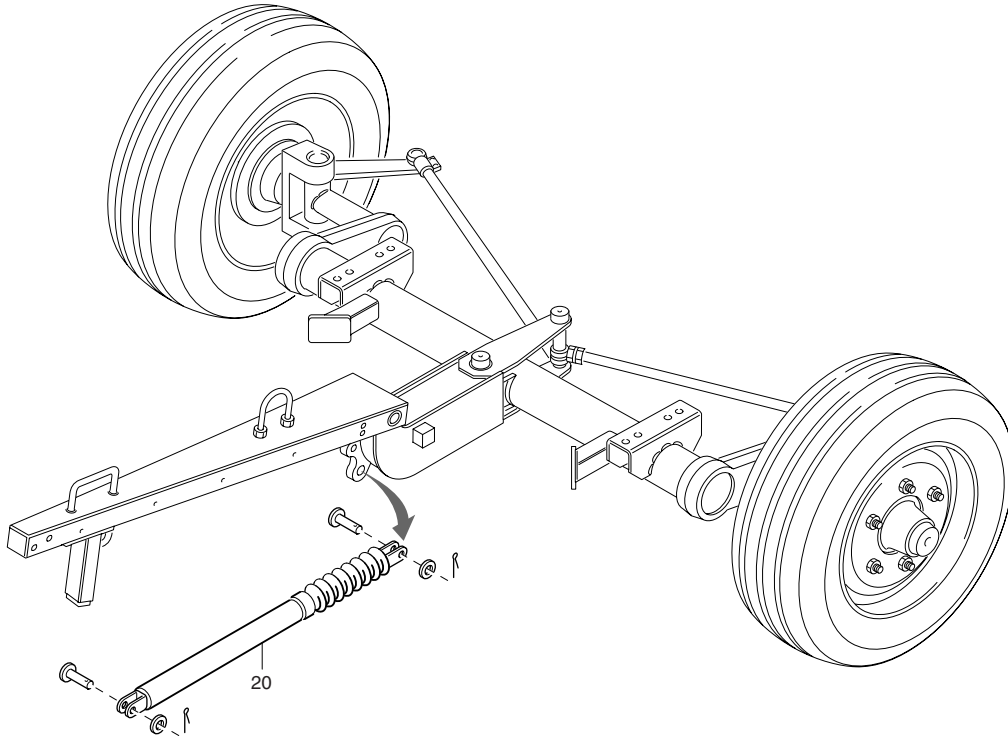


REF	PART NUMBER	DESIGNATION	QTY
10	1604 4738 00	PIPE	1
20	0634 1000 59	PIPE COUPLING	1
40	0147 1362 03	HEX. HEAD SCREW	4
50	0301 2344 00	PLAIN WASHER	4
60	1619 6153 09	BALL VALVE	1
70	0623 2100 09	BACKNUT	1
80	0686 3716 10	HEXAGON PLUG	1
90	0653 1254 00	FLAT GASKET	1
100	1089 0574 40	TEMPERATURE SENSOR	1
110	1089 9579 55	PRESSURE SENSOR	1
120	1604 3799 00	WIRE HARNESS	1

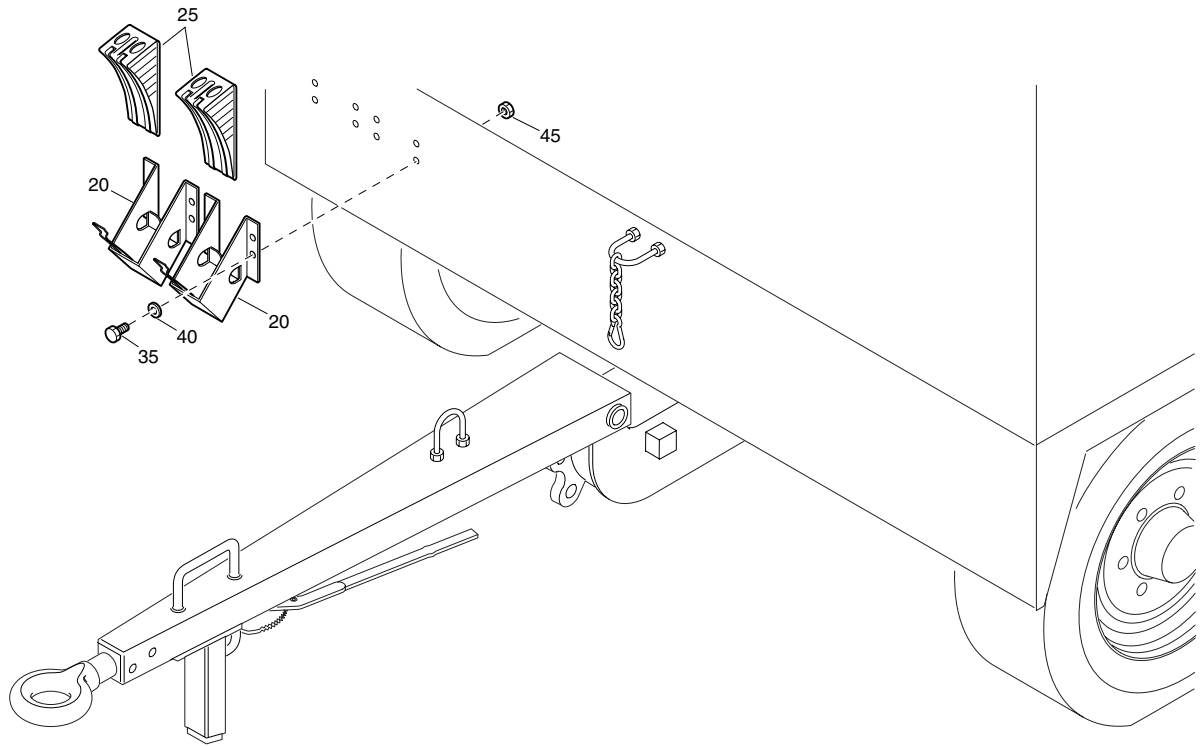
**OPTION**



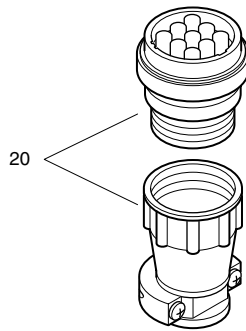
REF	PART NUMBER	DESIGNATION	QTY	REF	PART NUMBER	DESIGNATION	QTY
10	0564 0127 03	TEE	1	210	0653 1162 00	FLAT GASKET	1
20	1604 3538 00	PIPE JOINT	1	220	1619 6153 05	BALL VALVE	1
30	0653 1162 00	FLAT GASKET	1	230	1615 6688 01	PRESSURE REDUCER	1
40	0623 2105 03	BACKNUT	2	240	0653 1124 00	FLAT GASKET	1
50	1604 3536 00	PIPE JOINT	1	250	0261 1099 29	HEXAGON NUT	2
60	0653 1162 00	FLAT GASKET	1	260	1604 3540 01	BUSHING	1
70	0623 2105 03	BACKNUT	2	270	0653 1124 00	FLAT GASKET	1
80	1604 3537 00	SUPPORT	1	280	0261 1099 29	HEXAGON NUT	2
90	0147 1360 03	HEX. HEAD SCREW	2	290	1604 3535 00	PIPE	1
100	0301 2344 00	PLAIN WASHER	2	300	1604 3541 00	SUPPORT	1
110	2252 4045 00	SUPPORT	1	310	1619 2766 00	BOLT	2
120	0147 1322 03	HEX. HEAD SCREW	2	320	1604 3539 00	CONNECTION PIPE	1
130	0301 2335 00	PLAIN WASHER	2	330	0653 1162 00	FLAT GASKET	1
140	0266 2110 00	HEXAGON NUT	2	340	1619 5509 00	NIPPLE	1
150	1310 0154 00	PRESSURE GAUGE	1	350	0575 0056 16	HOSE ASSEMBLY	1
160	0574 8841 15	HOSE ASSEMBLY	1				
170	1079 5840 07	HEXAGON NIPPLE	1				
180	0653 1100 00	FLAT GASKET	1				
190	0832 1001 16	SAFETY VALVE	1				
200	0623 2105 03	BACKNUT	1				



REF	PART NUMBER	DESIGNATION	QTY
20	1615 5594 00	LEVEL DEVICE	1

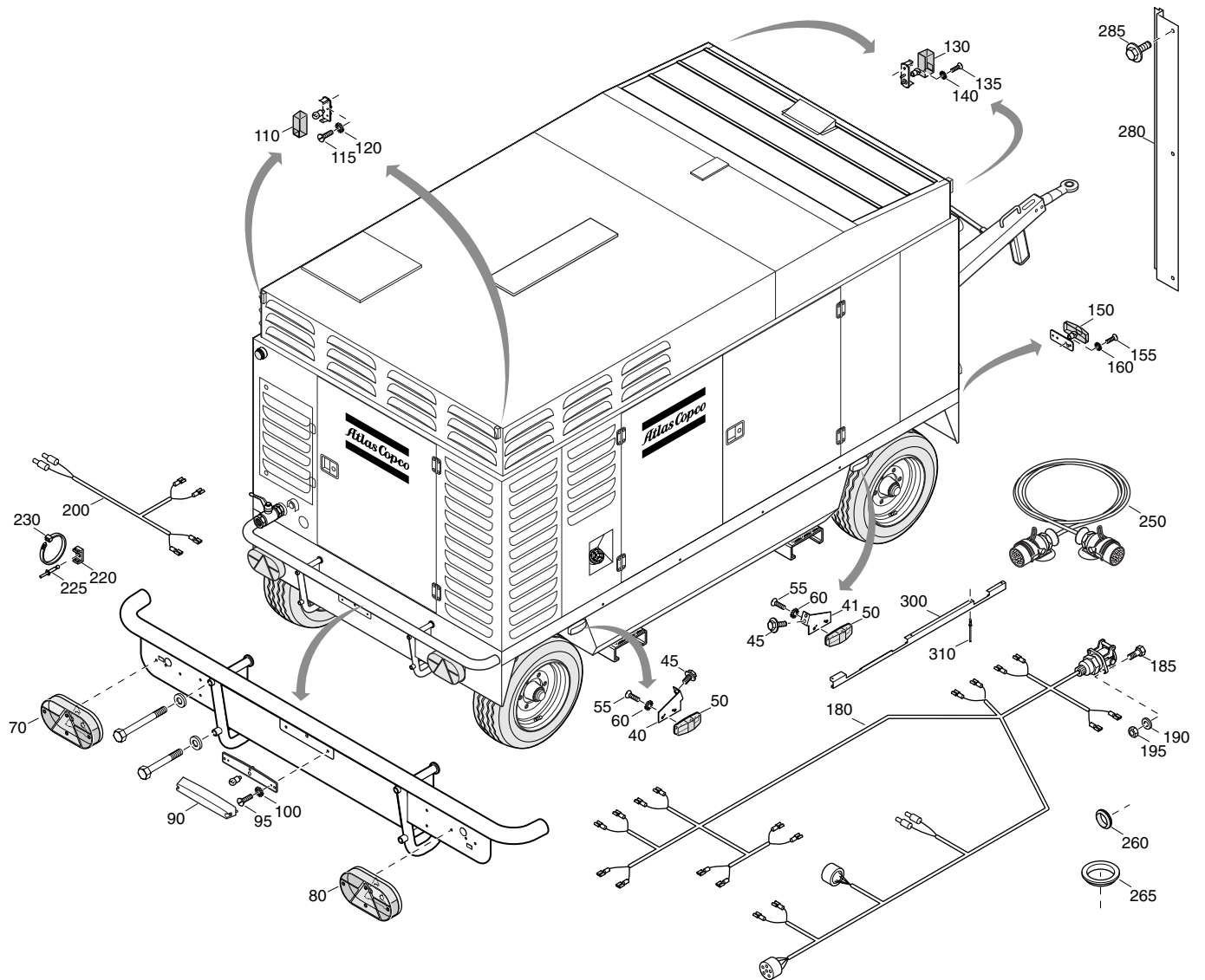


REF	PART NUMBER	DESIGNATION	QTY
20	1202 9354 01	BRACKET	2
25	1202 9353 01	WHEELCHOCKS	2
35	0147 1322 03	HEX. HEAD SCREW	8
40	0333 3227 00	LOCK WASHER	8
45	0266 2110 00	HEXAGON NUT	8

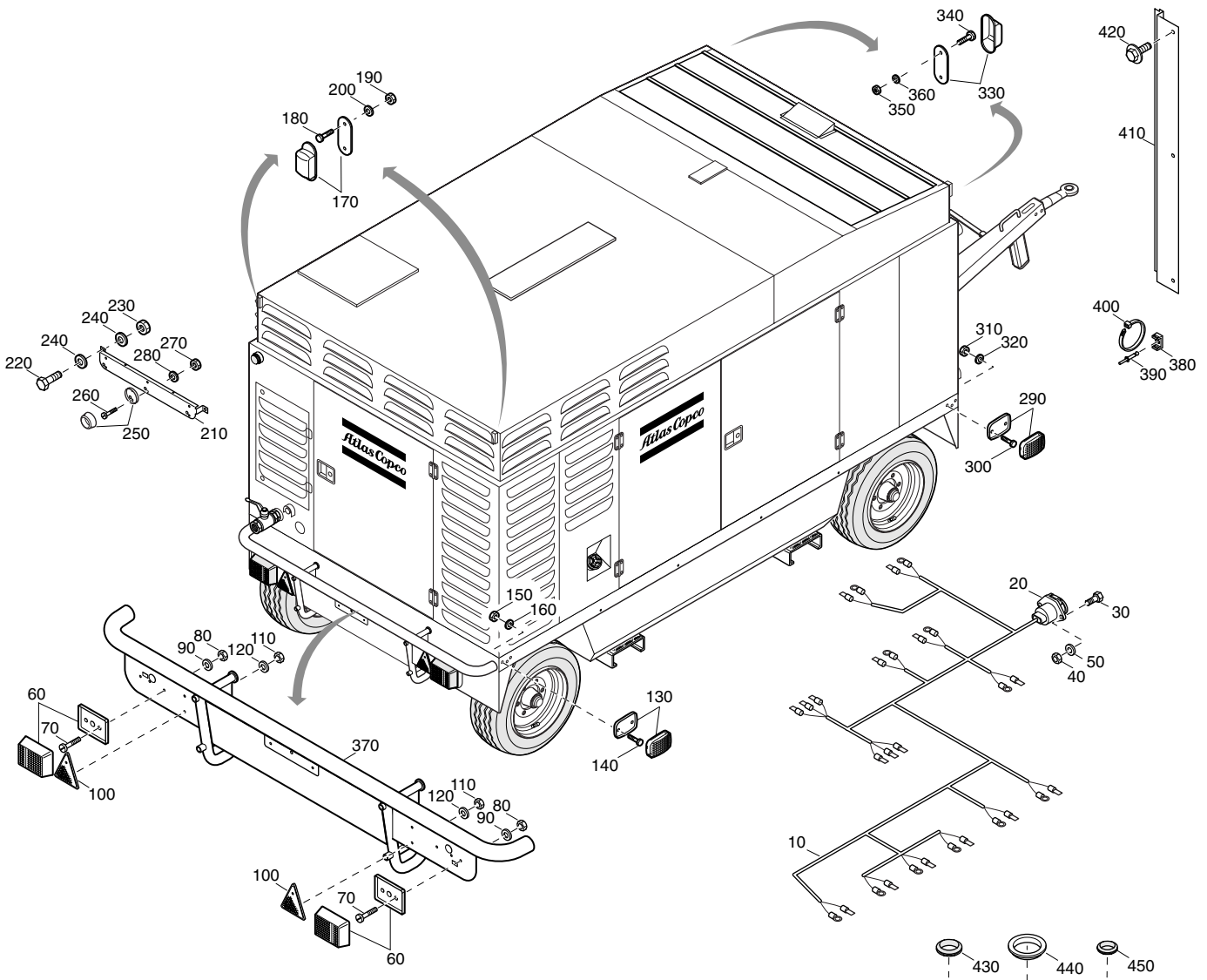


REF	PART NUMBER	DESIGNATION	QTY
20	1604 4519 00	CONNECTION	1

## OPTION

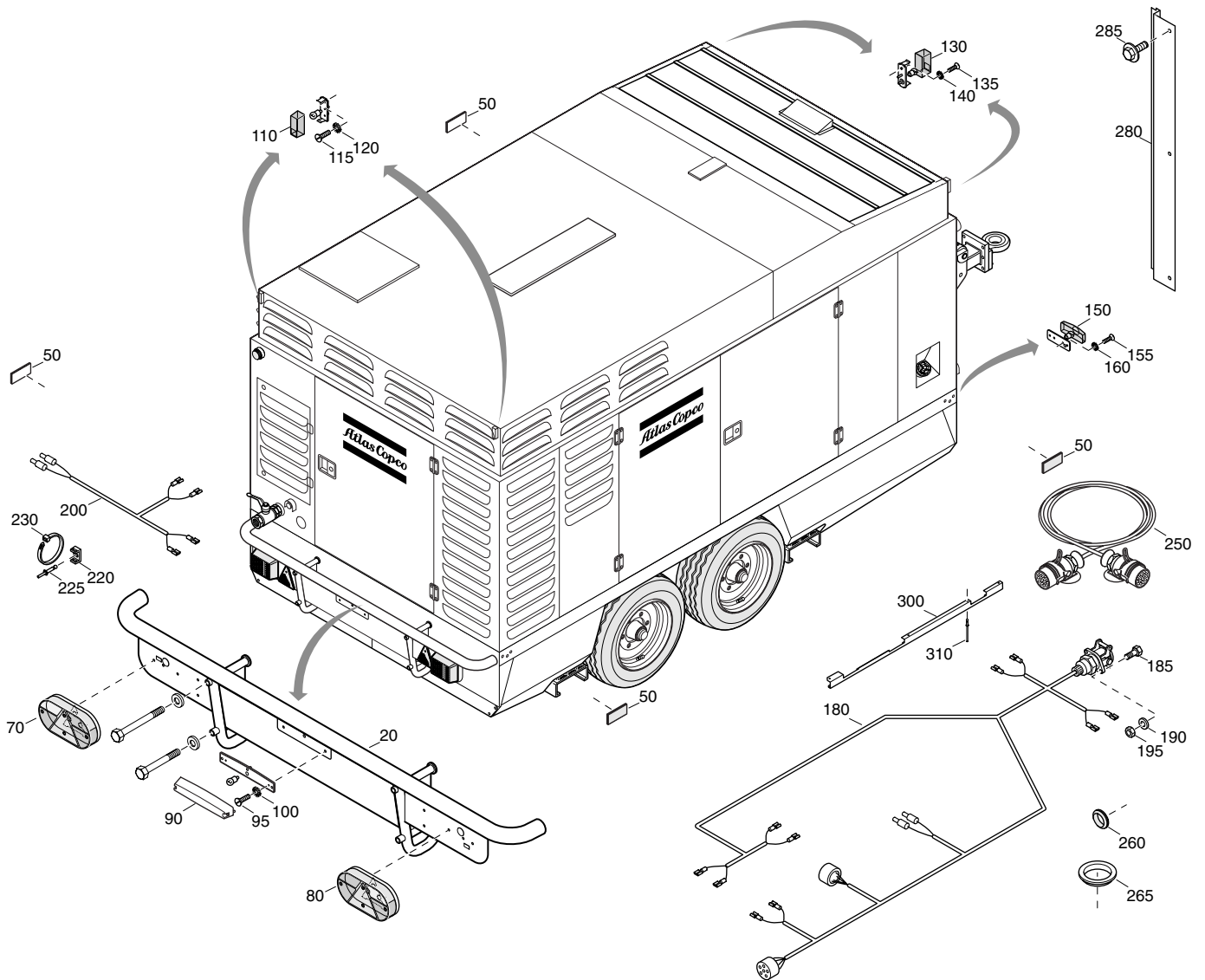


REF	PART NUMBER	DESIGNATION	QTY	REF	PART NUMBER	DESIGNATION	QTY
20	1604 2809 03	BUMPER	1	160	0333 3215 00	LOCK WASHER	2
40	1604 3398 02	PLATE	2	180	1604 3426 00	WIRE HARNESS	1
41	1604 4567 00	PLATE	2	185	0147 1325 03	HEX. HEAD SCREW	2
45	1615 5664 00	SCRAPER BOLT	8	190	0333 3227 00	LOCK WASHER	2
50	1604 2729 00	LIGHT	4	195	0266 2110 00	HEXAGON NUT	2
55	0160 6062 00	SLOTTED SCREW	8	200	1604 3425 00	WIRE HARNESS	1
60	0333 3215 00	LOCK WASHER	8	220	0348 0110 03	ANCHOR PLATE	30
70	1604 2719 00	LIGHT	1	225	0129 3110 00	BLIND RIVET	30
80	1604 2720 00	LIGHT	1	230	0348 0101 05	CABLE TIE	40
90	1604 2722 00	LIGHT	1	250	1604 3597 00	EXTENSION CABLE	1
95	0160 6062 00	SLOTTED SCREW	2	260	1088 0801 52	GROMMET	1
100	0333 3215 00	LOCK WASHER	2	265	1604 0383 00	SEAL (OIL SEPARATOR)	1
110	1604 2728 00	LIGHT	2	280	1604 2536 00	PLATE	2
115	0160 6062 00	SLOTTED SCREW	4	285	1615 5664 00	SCRAPER BOLT	12
120	0333 3215 00	LOCK WASHER	4	300	1604 3706 02	GUIDE	1
130	1604 2730 00	LIGHT	2	310	0129 3174 00	BLIND RIVET	4
135	0160 6062 00	SLOTTED SCREW	2				
140	0333 3215 00	LOCK WASHER	2				
150	1604 2850 00	LIGHT	2				
155	0160 6062 00	SLOTTED SCREW	2				

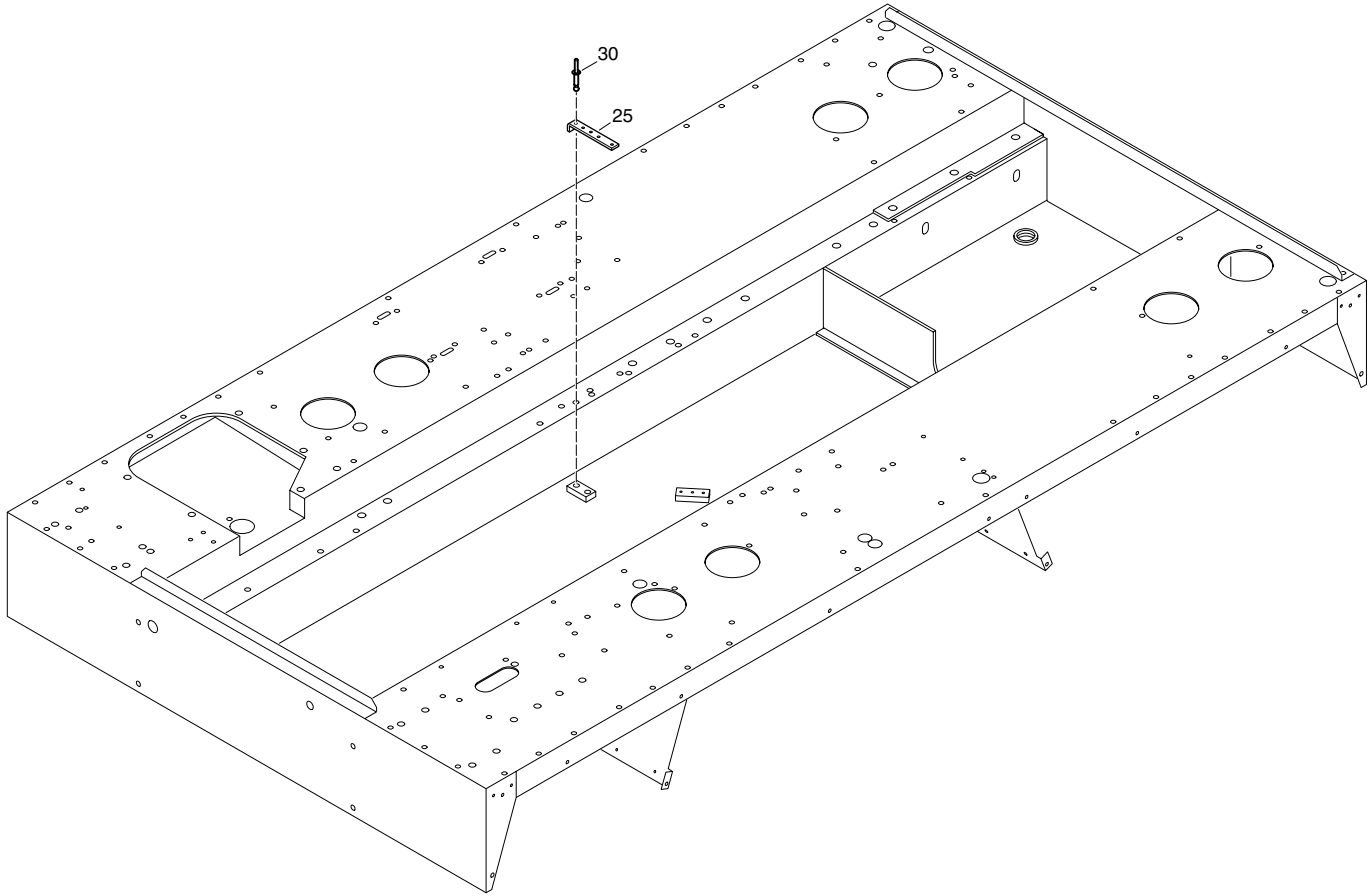


REF	PART NUMBER	DESIGNATION	QTY	REF	PART NUMBER	DESIGNATION	QTY
10	1604 4779 00	WIRE HARNESS	1	240	0301 2335 00	PLAIN WASHER	4
20	1615 9602 00	CONNECTOR USA ROAD SIGNAL.	1	250	1604 4774 00	LIGHT	3
30	0147 1325 03	HEX. HEAD SCREW	2	260	0147 1208 03	HEX. HEAD SCREW	6
40	0266 2110 00	HEXAGON NUT	2	270	0266 2107 00	HEXAGON NUT	6
50	0301 2335 00	PLAIN WASHER	2	280	0301 2318 00	PLAIN WASHER	6
60	1604 4775 00	LIGHT	2	290	1604 4776 00	LIGHT	2
70	0147 1249 03	HEX. HEAD SCREW	4	300	0147 1208 03	HEX. HEAD SCREW	4
80	0266 2108 00	HEXAGON NUT	4	310	0266 2107 00	HEXAGON NUT	4
90	0301 2321 00	PLAIN WASHER	4	320	0301 2318 00	PLAIN WASHER	4
100	1202 9402 01	REFLECTOR	2	330	1604 4772 00	LIGHT	2
110	0266 2108 00	HEXAGON NUT	4	340	0147 1208 03	HEX. HEAD SCREW	4
120	0301 2321 00	PLAIN WASHER	4	350	0266 2107 00	HEXAGON NUT	4
130	1604 4777 00	LIGHT	2	360	0301 2318 00	PLAIN WASHER	4
140	0147 1208 03	HEX. HEAD SCREW	4	370	1604 2809 03	BUMPER	1
150	0266 2107 00	HEXAGON NUT	4	380	0348 0110 03	ANCHOR PLATE	30
160	0301 2318 00	PLAIN WASHER	4	390	0129 3110 00	BLIND RIVET	30
170	1604 4773 00	LIGHT	2	400	0348 0101 05	CABLE TIE	40
180	0147 1208 03	HEX. HEAD SCREW	4	410	1604 2536 00	PLATE	2
190	0266 2107 00	HEXAGON NUT	4	420	1615 5664 00	SCRAPER BOLT	12
200	0301 2318 00	PLAIN WASHER	4	430	1088 0801 52	GROMMET	1
210	1604 4778 00	BRACKET	1	440	1604 0383 00	SEAL (OIL SEPARATOR)	1
220	0147 1325 03	HEX. HEAD SCREW	2	450	0698 0154 00	GROMMET	3
230	0266 2110 00	HEXAGON NUT	2				

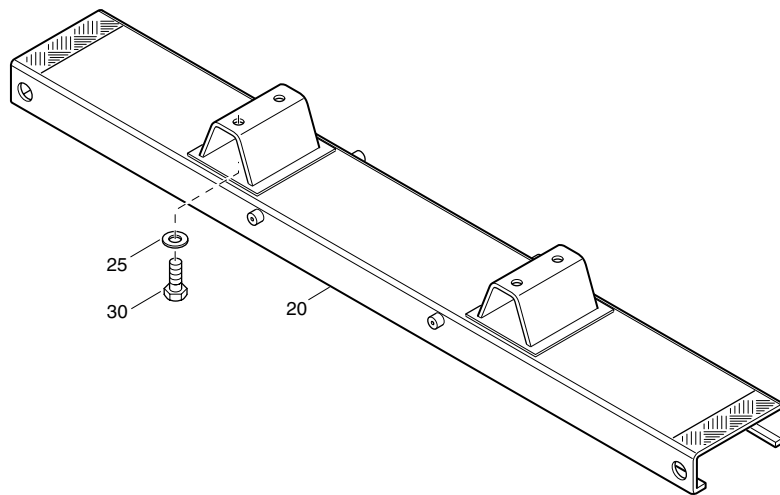
## OPTION



REF	PART NUMBER	DESIGNATION	QTY	REF	PART NUMBER	DESIGNATION	QTY
20	1604 2809 03	BUMPER	1	200	1604 3425 00	WIRE HARNESS	1
50	1615 6882 00	REFLECTOR	4	220	0348 0110 03	ANCHOR PLATE	30
70	1604 2719 00	LIGHT	1	225	0129 3110 00	BLIND RIVET	30
80	1604 2720 00	LIGHT	1	230	0348 0101 05	CABLE TIE	40
90	1604 2722 00	LIGHT	1	250	1604 3597 00	EXTENSION CABLE	1
95	0160 6062 00	SLOTTED SCREW	2	260	1088 0801 52	GROMMET	1
100	0333 3215 00	LOCK WASHER	2	265	1604 0383 00	SEAL (OIL SEPARATOR)	1
110	1604 2728 00	LIGHT	2	280	1604 2536 00	PLATE	2
115	0160 6062 00	SLOTTED SCREW	4	285	1615 5664 00	SCRAPER BOLT	12
120	0333 3215 00	LOCK WASHER	4	300	1604 3706 01	GUIDE	1
130	1604 2730 00	LIGHT	2	310	0129 3174 00	BLIND RIVET	4
135	0160 6062 00	SLOTTED SCREW	2				
140	0333 3215 00	LOCK WASHER	2				
150	1604 2850 00	LIGHT	2				
155	0160 6062 00	SLOTTED SCREW	2				
160	0333 3215 00	LOCK WASHER	2				
180	1604 5152 00	WIRE HARNESS	1				
185	0147 1325 03	HEX. HEAD SCREW	2				
190	0333 3227 00	LOCK WASHER	2				
195	0266 2110 00	HEXAGON NUT	2				

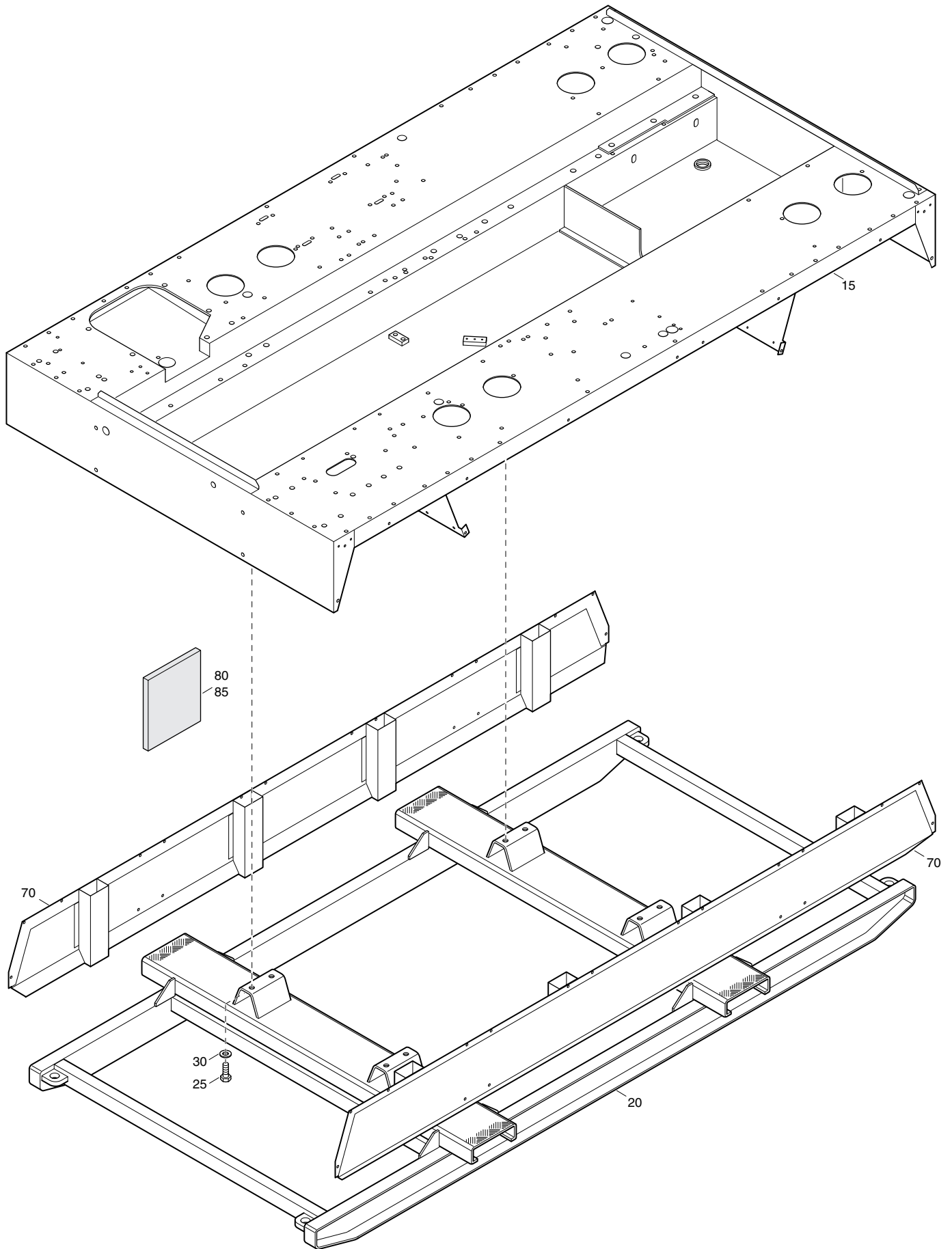


REF	PART NUMBER	DESIGNATION	QTY
25	1604 4817 00	PLATE	2
30	0129 3110 00	BLIND RIVET	4



REF	PART NUMBER	DESIGNATION	QTY
20	1604 2808 04	SUPPORT	2
25	0301 2378 00	PLAIN WASHER	8
30	0147 1958 96	HEX. HEAD SCREW	8

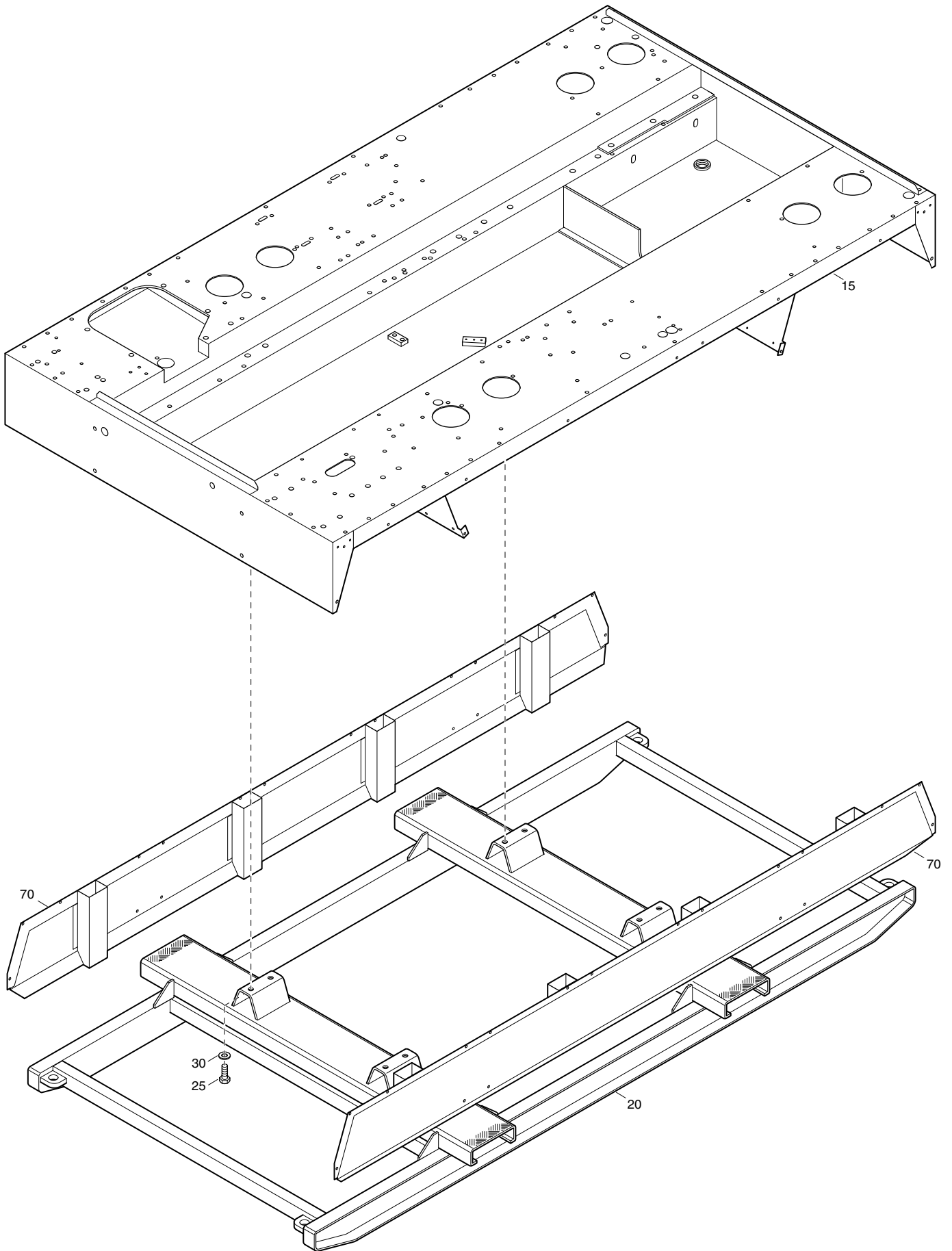
OPTION



---

<b>REF</b>	<b>PART NUMBER</b>	<b>DESIGNATION</b>	<b>QTY</b>
15	1604 2527 08	FRAME	1
20	1604 2837 01	SKID	1
25	0147 1958 96	HEX. HEAD SCREW	8
30	0301 2378 00	PLAIN WASHER	8
70	1604 3455 04	PROTECTION	2
80	-	SILENCING FOAM	8
85	-	SILENCING FOAM	2
-	1079 0003 32	SILENCING FOAM 2000 mm x 1500 mm x 30 mm	
-	1079 0001 91	SILENCING FOAM 2000 mm x 1500 mm x 40 mm	
-	1079 0003 33	SILENCING FOAM 2000 mm x 1500 mm x 50 mm	

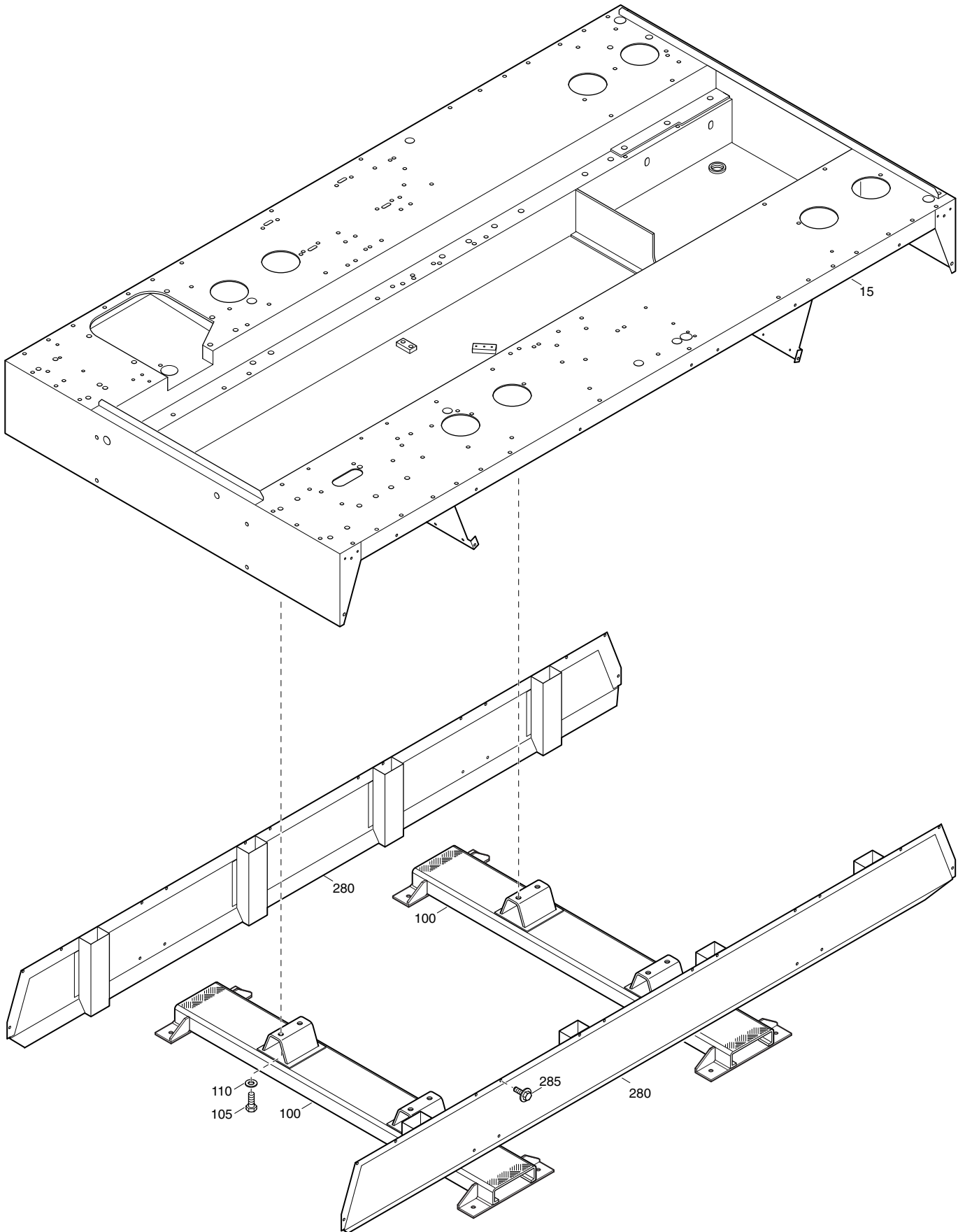
OPTION



---

<b>REF</b>	<b>PART NUMBER</b>	<b>DESIGNATION</b>	<b>QTY</b>
15	1604 2527 08	FRAME	1
20	1604 2837 01	SKID	1
25	0147 1958 96	HEX. HEAD SCREW	8
30	0301 2378 00	PLAIN WASHER	8
70	1604 3455 04	PROTECTION	2

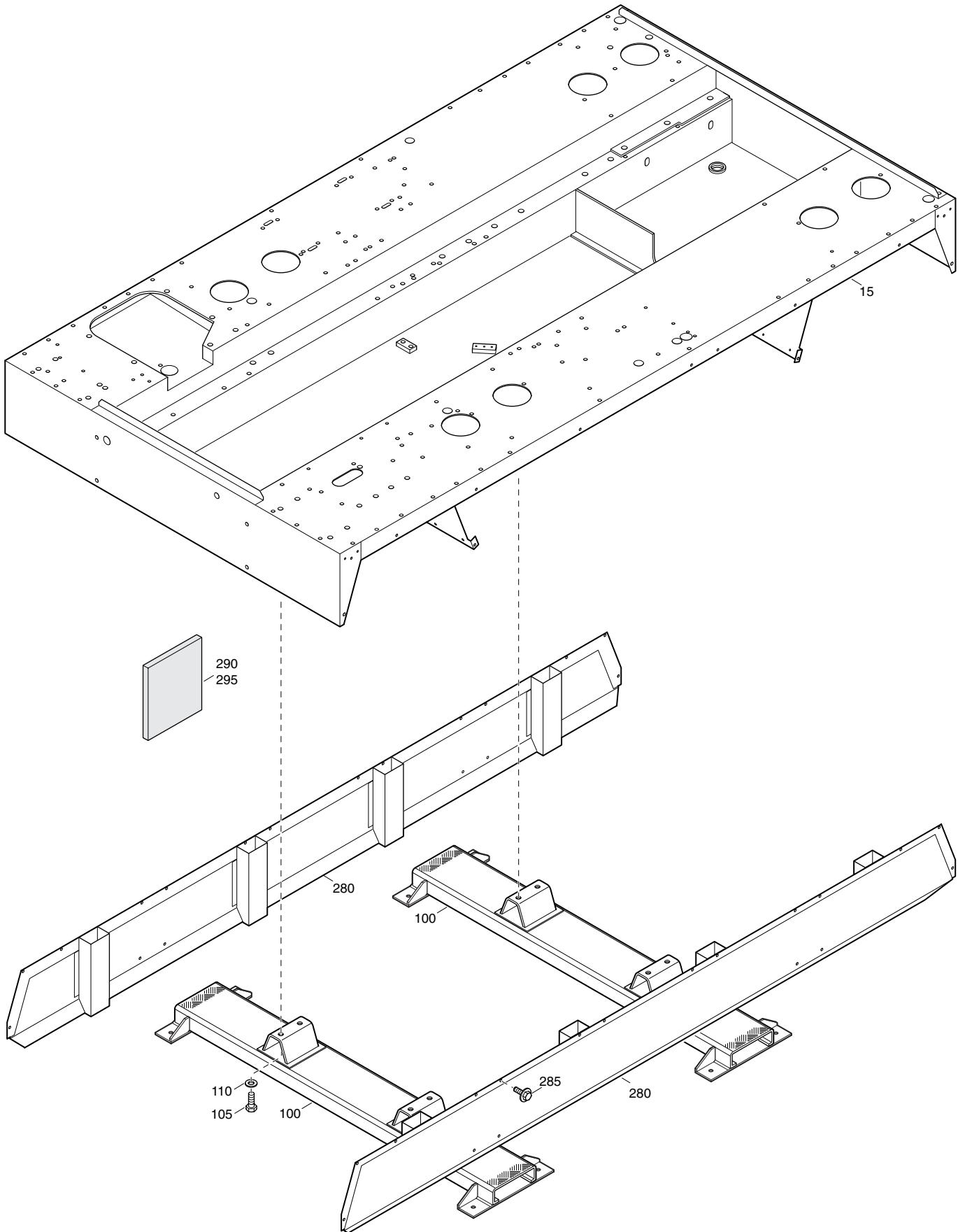
OPTION



---

<b>REF</b>	<b>PART NUMBER</b>	<b>DESIGNATION</b>	<b>QTY</b>
15	1604 2527 08	FRAME	1
100	1604 2849 01	SUPPORT	2
105	0147 1958 96	HEX. HEAD SCREW	8
110	0301 2378 00	PLAIN WASHER	8
280	1604 3455 04	PROTECTION	2
285	1615 5664 00	SCRAPER BOLT	8

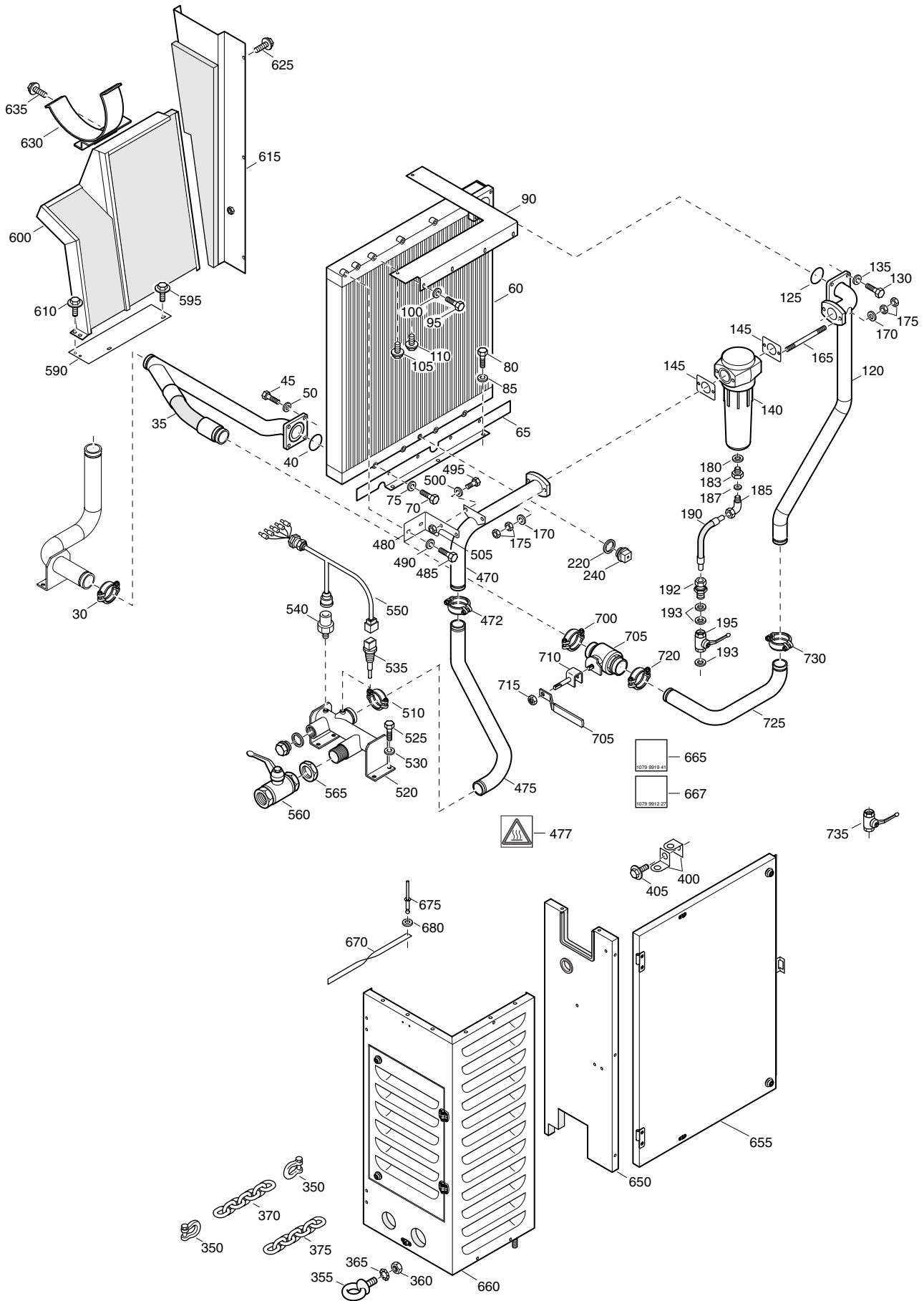
OPTION



---

<b>REF</b>	<b>PART NUMBER</b>	<b>DESIGNATION</b>	<b>QTY</b>
15	1604 2527 08	FRAME	1
100	1604 2849 01	SUPPORT	2
105	0147 1958 96	HEX. HEAD SCREW	8
110	0301 2378 00	PLAIN WASHER	8
280	1604 3455 04	PROTECTION	2
285	1615 5664 00	SCRAPER BOLT	8
290	-	SILENCING FOAM	8
295	-	SILENCING FOAM	2
-	1079 0003 32	SILENCING FOAM 2000 mm x 1500 mm x 30 mm	
-	1079 0001 91	SILENCING FOAM 2000 mm x 1500 mm x 40 mm	
-	1079 0003 33	SILENCING FOAM 2000 mm x 1500 mm x 50 mm	

OPTION



## OPTION

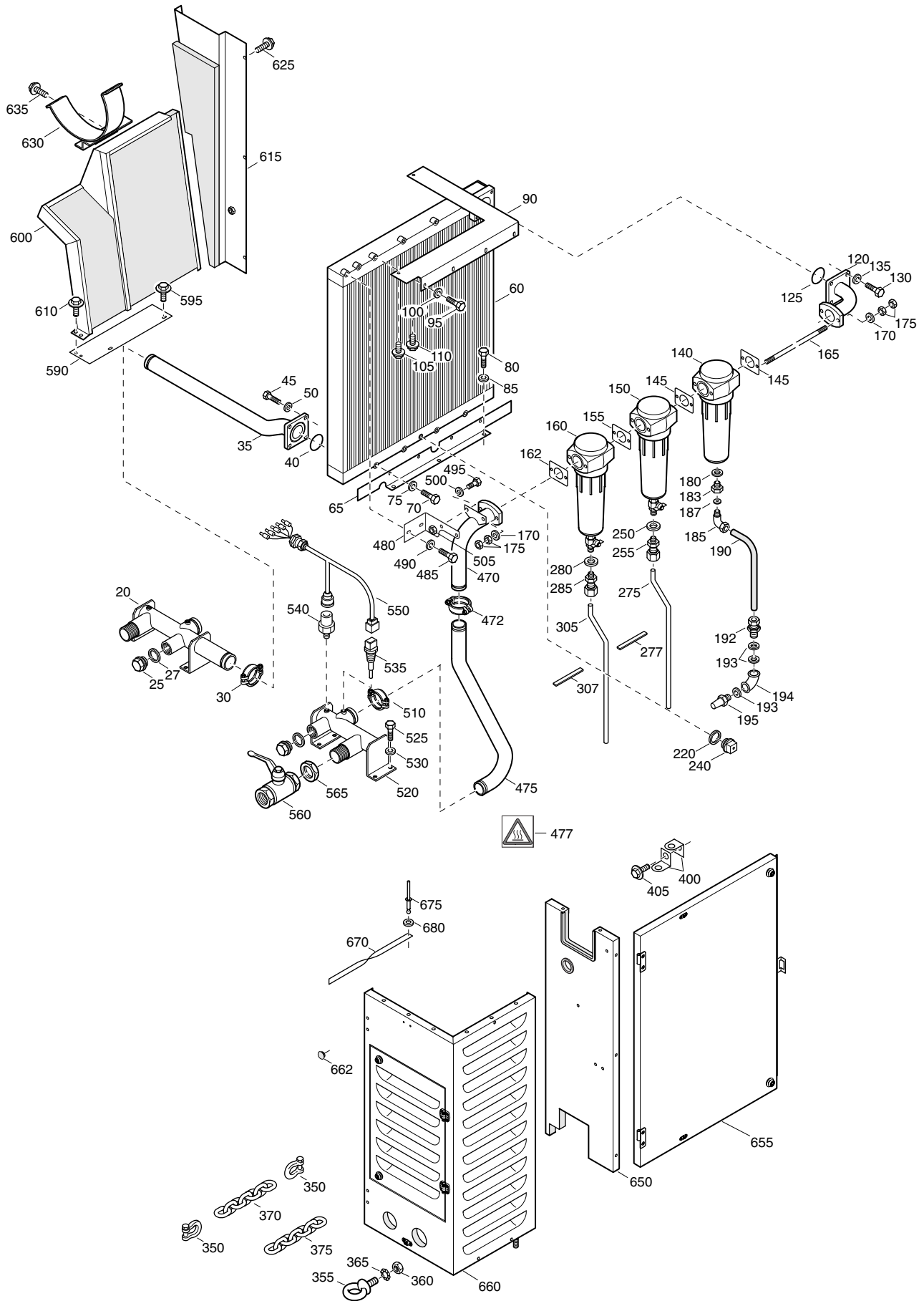
REF	PART NUMBER	DESIGNATION	QTY	REF	PART NUMBER	DESIGNATION	QTY
30	0634 1000 59	PIPE COUPLING	1	565	0623 2100 09	BACKNUT	1
35	1604 4739 00	HOSE ASSEMBLY	1	590	1604 4760 00	SUPPORT	1
40	0663 7141 00	O-RING	1	595	1615 5664 00	HEX. HEAD SCREW	2
45	0147 1403 03	HEX. HEAD SCREW	4	600	1604 3550 83	PANEL ASSY	1
50	0301 2358 00	PLAIN WASHER	4			(For details see page 194)	
60	1604 3372 00	AFTERCOOLER HP	1	610	1615 5664 00	HEX. HEAD SCREW	2
65	1604 3366 00	SUPPORT	1	615	1604 3551 81	PANEL ASSY	1
70	0147 1359 03	HEX. HEAD SCREW	4			(For details see page 195)	
75	0301 2358 00	PLAIN WASHER	4	625	1615 5664 00	HEX. HEAD SCREW	7
80	0147 1362 03	HEX. HEAD SCREW	3	630	1604 3552 02	SUPPORT	1
85	0301 2344 00	PLAIN WASHER	3	635	1615 5664 00	HEX. HEAD SCREW	2
90	1604 3365 03	SUPPORT	1	650	1604 2689 83	PANEL ASSY	1
95	0147 1359 03	HEX. HEAD SCREW	4			(For details see page 196)	
100	0301 2344 00	PLAIN WASHER	4	655	1604 2454 87	DOOR ASSY	1
105	1615 5664 00	HEX. HEAD SCREW	3			(For details see page 89)	
110	1615 5664 00	HEX. HEAD SCREW	2	660	1604 2678 81	CORNER ASSY	1
120	1604 4741 00	PIPE	1			(For details see page 197)	
125	0663 7141 00	O-RING	1	665	1079 9919 41	LABEL HP	1
130	0147 1403 03	HEX. HEAD SCREW	4	667	1079 9912 27	LABEL	1
135	0301 2358 00	PLAIN WASHER	4	670	1616 4615 00	NYLON BAND	1
140	1615 8005 00	WATERSEPARATOR	1	675	0129 3101 00	BLIND RIVET	3
145	1604 1591 02	GASKET	2	680	0301 2318 00	PLAIN WASHER	3
165	0248 9980 52	THREADED ROD	2	700	0634 1000 84	PIPE COUPLING	1
170	0301 2358 00	PLAIN WASHER	4	705	1604 2126 01	BALL VALVE	1
175	0266 2112 00	HEXAGON NUT	8	710	1604 4736 00	LEVER	1
180	0653 1124 00	FLAT GASKET	1	715	0291 1113 00	LOCKNUT	1
183	2253 0593 00	REDUCER	1	720	0634 1000 84	PIPE COUPLING	1
185	0581 1200 27	ELBOW PIPE COUPLING	1	725	1604 4740 00	PIPE	1
187	1604 4141 00	NOZZLE	1	730	0634 1000 84	PIPE COUPLING	1
190	0575 0011 11	HOSE ASSEMBLY	1	735	1619 6153 04	BALL VALVE G1/2	1
192	0581 0000 53	STRAIGHT PIPE COUPLING	1				
193	0653 1124 00	FLAT GASKET	3				
195	1619 6153 04	BALL VALVE G1/2	"1				
220	0661 1049 00	SEALING WASHER	1				
240	1612 0685 82	BLEEDER VALVE	1				
350	0372 4100 08	BOW SHACKLE	2				
355	0371 1100 21	LIFTING EYE	1				
360	0266 2111 00	HEXAGON NUT	1				
365	0333 3232 00	LOCK WASHER	1				
370	3163 1853 00	CHAIN	1				
375	3163 1853 00	CHAIN	1				
400	1613 0807 00	SUPPORT	2				
405	1615 5664 00	HEX. HEAD SCREW	1				
470	1604 3379 01	PIPE	1				
472	0634 1000 59	PIPE COUPLING	1				
475	1604 5112 00	PIPE	1				
477	1079 9902 55	LABEL	1				
480	1604 3364 02	SUPPORT	1				
485	0147 1359 03	HEX. HEAD SCREW	2				
490	0301 2344 00	PLAIN WASHER	2				
495	0147 1362 03	HEX. HEAD SCREW	2				
500	0301 2344 00	PLAIN WASHER	2				
505	0266 2111 00	HEXAGON NUT	2				
510	0634 1000 59	PIPE COUPLING	1				
520	1604 3361 01	MANIFOLD	1				
525	0147 1362 03	HEX. HEAD SCREW	4				
530	0301 2344 00	PLAIN WASHER	4				
535	1089 0574 40	TEMPERATURE SENSOR	1				
540	1089 9579 55	PRESSURE SENSOR	1				
550	1604 3449 00	WIRE HARNESS	1				
560	0852 0010 28	BALL VALVE	1				



## OPTION

REF	PART NUMBER	DESIGNATION	QTY	REF	PART NUMBER	DESIGNATION	QTY
20	1604 3353 01	MANIFOLD	1	500	0301 2344 00	PLAIN WASHER	2
25	0686 3716 10	HEXAGON PLUG	1	505	0266 2111 00	HEXAGON NUT	2
27	0653 1254 00	FLAT GASKET	1	510	0634 1000 59	PIPE COUPLING	1
30	0634 1000 59	PIPE COUPLING	1	520	1604 3361 01	MANIFOLD	1
35	1604 3354 01	PIPE	1	525	0147 1362 03	HEX. HEAD SCREW	4
40	0663 7141 00	O-RING	1	530	0301 2344 00	PLAIN WASHER	4
45	0147 1403 03	HEX. HEAD SCREW	4	535	1089 0574 40	TEMPERATURE SENSOR	1
50	0301 2358 00	PLAIN WASHER	4	540	1089 9579 55	PRESSURE SENSOR	1
60	1604 3372 00	AFTERCOOLER HP	1	550	1604 3449 00	WIRE HARNESS	1
65	1604 3366 00	SUPPORT	1	560	0852 0010 28	BALL VALVE	1
70	0147 1359 03	HEX. HEAD SCREW	4	565	0623 2100 09	BACKNUT	1
75	0301 2344 00	PLAIN WASHER	4	590	1604 4760 00	SUPPORT	1
80	0147 1362 03	HEX. HEAD SCREW	3	595	1615 5664 00	HEX. HEAD SCREW	2
85	0301 2344 00	PLAIN WASHER	3	600	1604 3550 83	PANEL ASSY	1
90	1604 3365 03	SUPPORT	1			(For details see page 194)	
95	0147 1359 03	HEX. HEAD SCREW	4	610	1615 5664 00	HEX. HEAD SCREW	2
100	0301 2344 00	PLAIN WASHER	4	615	1604 3551 81	PANEL ASSY	1
105	1615 5664 00	HEX. HEAD SCREW	3			(For details see page 195)	
110	1615 5664 00	HEX. HEAD SCREW	2	625	1615 5664 00	HEX. HEAD SCREW	7
120	1604 3356 00	ELBOW	1	630	1604 3552 02	SUPPORT	1
125	0663 7141 00	O-RING	1	635	1615 5664 00	HEX. HEAD SCREW	2
130	0147 1403 03	HEX. HEAD SCREW	4	650	1604 2689 83	PANEL ASSY	1
135	0301 2358 00	PLAIN WASHER	4			(For details see page 196)	
140	1615 8005 00	WATERSEPARATOR	1	655	1604 2454 87	DOOR ASSY	1
145	1604 1591 02	GASKET	2			(For details see page 89)	
150	1604 3373 00	PD FILTER	1	660	1604 2678 81	CORNER ASSY	1
155	1604 1591 02	GASKET	1			(For details see page 197)	
165	0248 9979 61	THREADED ROD	2	662	0686 9252 69	PROTECTION PLUG	1
170	0301 2358 00	PLAIN WASHER	4	670	1616 4615 00	NYLON BAND	1
175	0266 2112 00	HEXAGON NUT	8	675	0129 3101 00	BLIND RIVET	3
180	0653 1124 00	FLAT GASKET	2	680	0301 2318 00	PLAIN WASHER	3
183	2253 0593 00	REDUCER	1				
185	0581 1200 27	ELBOW PIPE COUPLING	1				
187	1604 4141 00	NOZZLE	1				
190	0070 6002 06	PLASTIC TUBE	AR				
192	0581 0000 53	STRAIGHT PIPE COUPLING	1				
193	0653 1124 00	FLAT GASKET	3				
194	0560 0200 29	ELBOW	1				
195	9090 0510 00	SILENCER	1				
220	0661 1049 00	SEALING WASHER	1				
240	1612 0685 82	BLEEDER VALVE	1				
250	0653 1062 00	FLAT GASKET	1				
255	0581 0060 00	STRAIGHT PIPE COUPLING	1				
275	1604 4725 00	TUBE	1				
277	1503 1056 00	SEAL	AR				
350	0372 4100 08	BOW SHACKLE	2				
355	0371 1100 21	LIFTING EYE	1				
360	0266 2111 00	HEXAGON NUT	1				
365	0333 3232 00	LOCK WASHER	1				
370	3163 1853 00	CHAIN	1				
375	3163 1853 00	CHAIN	1				
400	1613 0807 00	SUPPORT	2				
405	1615 5664 00	HEX. HEAD SCREW	1				
470	1604 3380 01	PIPE	1				
472	0634 1000 59	PIPE COUPLING	1				
475	1604 5112 00	PIPE	1				
477	1079 9902 55	LABEL	1				
480	1604 3364 02	SUPPORT	1				
485	0147 1359 03	HEX. HEAD SCREW	2				
490	0301 2344 00	PLAIN WASHER	2				
495	0147 1362 03	HEX. HEAD SCREW	2				

OPTION



## OPTION

REF	PART NUMBER	DESIGNATION	QTY	REF	PART NUMBER	DESIGNATION	QTY
20	1604 3353 01	MANIFOLD	1	475	1604 5112 00	PIPE	1
25	0686 3716 10	HEXAGON PLUG	1	477	1079 9902 55	LABEL	1
27	0653 1254 00	FLAT GASKET	1	480	1604 3364 02	SUPPORT	1
30	0634 1000 59	PIPE COUPLING	1	485	0147 1359 03	HEX. HEAD SCREW	2
35	1604 3354 01	PIPE	1	490	0301 2344 00	PLAIN WASHER	2
40	0663 7141 00	O-RING	1	495	0147 1362 03	HEX. HEAD SCREW	2
45	0147 1403 03	HEX. HEAD SCREW	4	500	0301 2344 00	PLAIN WASHER	2
50	0301 2358 00	PLAIN WASHER	4	505	0266 2111 00	HEXAGON NUT	2
60	1604 3372 00	AFTERCOOLER HP	1	510	0634 1000 59	PIPE COUPLING	1
65	1604 3366 00	SUPPORT	1	520	1604 3361 01	MANIFOLD	1
70	0147 1359 03	HEX. HEAD SCREW	4	525	0147 1362 03	HEX. HEAD SCREW	4
75	0301 2344 00	PLAIN WASHER	4	530	0301 2344 00	PLAIN WASHER	4
80	0147 1362 03	HEX. HEAD SCREW	3	535	1089 0574 40	TEMPERATURE SENSOR	1
85	0301 2344 00	PLAIN WASHER	3	540	1089 9579 55	PRESSURE SENSOR	1
90	1604 3365 03	SUPPORT	1	550	1604 3449 00	WIRE HARNESS	1
95	0147 1359 03	HEX. HEAD SCREW	4	560	0852 0010 28	BALL VALVE	1
100	0301 2344 00	PLAIN WASHER	4	565	0623 2100 09	BACKNUT	1
105	1615 5664 00	HEX. HEAD SCREW	3	590	1604 4760 00	SUPPORT	1
110	1615 5664 00	HEX. HEAD SCREW	2	595	1615 5664 00	HEX. HEAD SCREW	2
120	1604 3356 00	ELBOW	1	600	1604 3550 83	PANEL ASSY	1
125	0663 7141 00	O-RING	1			(For details see page 194)	
130	0147 1403 03	HEX. HEAD SCREW	4	610	1615 5664 00	HEX. HEAD SCREW	2
135	0301 2358 00	PLAIN WASHER	4	615	1604 3551 81	PANEL ASSY	1
140	1615 8005 00	WATERSEPARATOR	1			(For details see page 195)	
145	1604 1591 02	GASKET	2	625	1615 5664 00	HEX. HEAD SCREW	7
150	1604 3373 00	PD FILTER	1	630	1604 3552 02	SUPPORT	1
155	1604 1591 02	GASKET	1	635	1615 5664 00	HEX. HEAD SCREW	2
160	1604 3374 00	QD FILTER	1	650	1604 2689 83	PANEL ASSY	1
162	1604 1591 02	GASKET	1			(For details see page 196)	
165	0248 9979 62	THREADED ROD	2	655	1604 2454 87	DOOR ASSY	1
170	0301 2358 00	PLAIN WASHER	4			(For details see page 89)	
175	0266 2112 00	HEXAGON NUT	8	660	1604 2678 81	CORNER ASSY	1
180	0653 1124 00	FLAT GASKET	3			(For details see page 197)	
183	2253 0593 00	REDUCER	1	662	0686 9252 69	PROTECTION PLUG	1
185	0581 1200 27	ELBOW PIPE COUPLING	1	670	1616 4615 00	NYLON BAND	1
187	1604 4141 00	NOZZLE	1	675	0129 3101 00	BLIND RIVET	3
190	0070 6002 06	PLASTIC TUBE	AR	680	0301 2318 00	PLAIN WASHER	3
192	0581 0000 53	STRAIGHT PIPE COUPLING	1				
193	0653 1124 00	FLAT GASKET	3				
194	0560 0200 29	ELBOW	1				
195	9090 0510 00	SILENCER	1				
220	0661 1049 00	SEALING WASHER	1				
240	1612 0685 82	BLEEDER VALVE	1				
250	0653 1062 00	FLAT GASKET	1				
255	0581 0060 00	STRAIGHT PIPE COUPLING	1				
275	1604 4725 00	TUBE	1				
277	1503 1056 00	SEAL	AR				
280	0653 1062 00	FLAT GASKET	1				
285	0581 0060 00	STRAIGHT PIPE COUPLING	1				
305	1604 4725 00	TUBE	1				
307	1503 1056 00	SEAL	AR				
350	0372 4100 08	BOW SHACKLE	2				
355	0371 1100 21	LIFTING EYE	1				
360	0266 2111 00	HEXAGON NUT	1				
365	0333 3232 00	LOCK WASHER	1				
370	3163 1853 00	CHAIN	1				
375	3163 1853 00	CHAIN	1				
400	1613 0807 00	SUPPORT	2				
405	1615 5664 00	HEX. HEAD SCREW	1				
470	1604 3357 01	PIPE	1				
472	0634 1000 59	PIPE COUPLING	1				

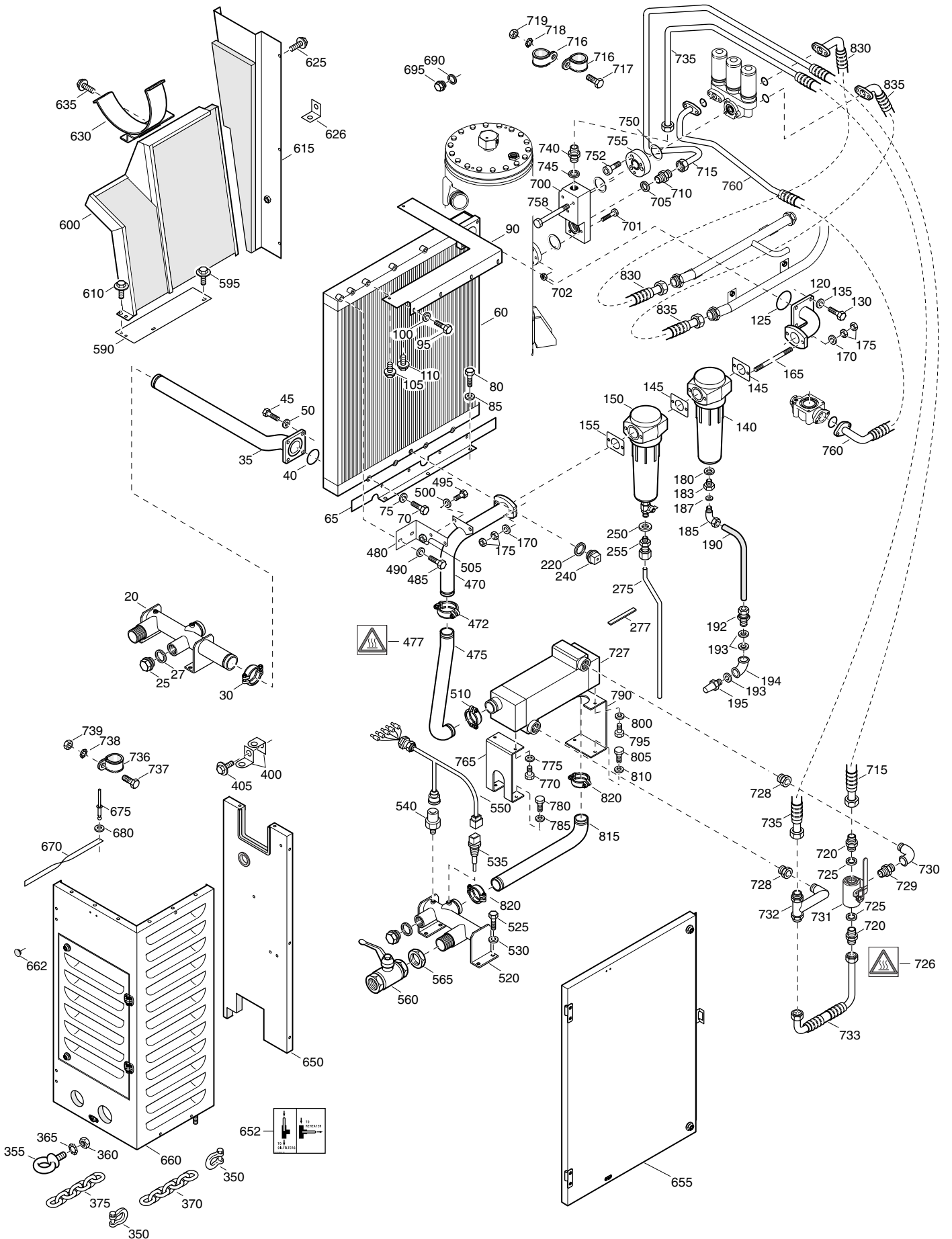


## OPTION

REF	PART NUMBER	DESIGNATION	QTY	REF	PART NUMBER	DESIGNATION	QTY
20	1604 3353 01	MANIFOLD	1	610	1615 5664 00	HEX. HEAD SCREW	2
25	0686 3716 10	HEXAGON PLUG	1	615	1604 3551 81	PANEL ASSY	1
27	0653 1254 00	FLAT GASKET	1			(For details see page 195)	
30	0634 1000 59	PIPE COUPLING	1	625	1615 5664 00	HEX. HEAD SCREW	7
35	1604 3354 01	PIPE	1	626	1615 1789 00	BRACKET	1
40	0663 7141 00	O-RING	1	630	1604 3552 02	SUPPORT	1
45	0147 1403 03	HEX. HEAD SCREW	4	635	1615 5664 00	HEX. HEAD SCREW	2
50	0301 2358 00	PLAIN WASHER	4	650	1604 2689 83	PANEL ASSY	1
60	1604 3372 00	AFTERCOOLER HP	1			(For details see page 196)	
65	1604 3366 00	SUPPORT	1	652	1079 9923 18	LABEL	1
70	0147 1359 03	HEX. HEAD SCREW	4	655	1604 2454 87	DOOR ASSY	1
75	0301 2344 00	PLAIN WASHER	4			(For details see page 89)	
80	0147 1362 03	HEX. HEAD SCREW	3	660	1604 2678 81	CORNER ASSY	1
85	0301 2344 00	PLAIN WASHER	3			(For details see page 197)	
90	1604 3365 03	SUPPORT	1	662	0686 9252 69	PROTECTION PLUG	1
95	0147 1359 03	HEX. HEAD SCREW	4	670	1616 4615 00	NYLON BAND	1
100	0301 2344 00	PLAIN WASHER	4	675	0129 3101 00	BLIND RIVET	3
105	1615 5664 00	HEX. HEAD SCREW	3	680	0301 2318 00	PLAIN WASHER	3
110	1615 5664 00	HEX. HEAD SCREW	2	690	0653 1124 00	FLAT GASKET	1
120	1604 3356 00	ELBOW	1	695	0686 3716 02	HEXAGON PLUG	1
125	0663 7141 00	O-RING	1	700	1604 3384 00	ADAPTER	1
130	0147 1403 03	HEX. HEAD SCREW	4	701	0147 1372 03	HEX. HEAD SCREW	3
135	0301 2358 00	PLAIN WASHER	4	702	0266 2111 00	HEXAGON NUT	3
140	1615 8005 00	WATERSEPARATOR	1	705	0661 1056 00	SEALING WASHER	1
145	1604 1591 02	GASKET	2	710	1079 5840 06	HEXAGON NIPPLE	1
165	0248 9980 52	THREADED ROD	2	715	1604 3368 03	HOSE ASSEMBLY	1
170	0301 2358 00	PLAIN WASHER	4	716	1619 2861 01	PIPE CLAMP	4
175	0266 2112 00	HEXAGON NUT	8	717	0147 1327 03	HEX. HEAD SCREW	2
180	0653 1124 00	FLAT GASKET	1	718	0333 3227 00	LOCK WASHER	2
183	2253 0593 00	REDUCER	1	719	0266 2110 00	HEXAGON NUT	2
185	0581 1200 27	ELBOW PIPE COUPLING	1	720	1079 5840 06	HEXAGON NIPPLE	2
187	1604 4141 00	NOZZLE	1	725	0661 1056 00	SEALING WASHER	2
190	0070 6002 06	PLASTIC TUBE	AR	726	1079 9902 55	LABEL	1
192	0581 0000 53	STRAIGHT PIPE COUPLING	1	727	1604 3359 01	REHEATER	1
193	0653 1124 00	FLAT GASKET	3	728	0605 8307 04	BUSHING	2
194	0560 0200 29	ELBOW	1	729	0603 5126 03	HEXAGON NIPPLE	1
195	9090 0510 00	SILENCER	1	730	0560 4401 17	ELBOW	1
220	0661 1049 00	SEALING WASHER	1	731	1604 4727 00	3-WAY VALVE	1
240	1612 0685 82	BLEEDER VALVE	1	732	1604 4732 00	PIPE	1
350	0372 4100 08	BOW SHACKLE	2	733	1604 4733 01	HOSE ASSEMBLY	1
355	0371 1100 21	LIFTING EYE	1	735	1604 3367 03	HOSE ASSEMBLY	1
360	0266 2111 00	HEXAGON NUT	1	736	1619 2861 01	PIPE CLAMP	1
365	0333 3232 00	LOCK WASHER	1	737	0147 1322 03	HEX. HEAD SCREW	1
370	3163 1853 00	CHAIN	1	738	0333 3227 00	LOCK WASHER	1
375	3163 1853 00	CHAIN	1	739	0266 2110 00	HEXAGON NUT	1
400	1613 0807 00	SUPPORT	2	740	1079 5840 06	HEXAGON NIPPLE	1
405	1615 5664 00	HEX. HEAD SCREW	1	745	0661 1056 00	SEALING WASHER	1
470	1604 3379 01	PIPE	1	750	0663 9868 00	O-RING	2
472	0634 1000 59	PIPE COUPLING	1	752	0211 1364 00	HEX SOCK. SCREW	3
475	1604 5111 00	PIPE	1	755	1604 3585 00	ADAPTER	1
477	1079 9902 55	LABEL	1	758	0147 1375 03	HEX. HEAD SCREW	3
480	1604 3364 02	SUPPORT	1	760	1604 3377 02	HOSE ASSEMBLY	1
485	0147 1359 03	HEX. HEAD SCREW	2	765	1604 3362 00	SUPPORT	1
490	0301 2344 00	PLAIN WASHER	2	770	0147 1322 03	HEX. HEAD SCREW	2
495	0147 1362 03	HEX. HEAD SCREW	2	775	0301 2335 00	PLAIN WASHER	2
500	0301 2344 00	PLAIN WASHER	2	780	0147 1362 03	HEX. HEAD SCREW	2
505	0266 2111 00	HEXAGON NUT	2	785	0301 2344 00	PLAIN WASHER	2
510	0634 1000 59	PIPE COUPLING	1	790	1604 3363 01	SUPPORT	1
520	1604 3361 01	MANIFOLD	1	795	0147 1322 03	HEX. HEAD SCREW	2
525	0147 1362 03	HEX. HEAD SCREW	4	800	0301 2335 00	PLAIN WASHER	2
530	0301 2344 00	PLAIN WASHER	4	805	0147 1362 03	HEX. HEAD SCREW	2
535	1089 0574 40	TEMPERATURE SENSOR	1	810	0301 2344 00	PLAIN WASHER	2
540	1089 9579 55	PRESSURE SENSOR	1	815	1604 3360 01	PIPE	1
550	1604 3449 00	WIRE HARNESS	1	820	0634 1000 59	PIPE COUPLING	2
560	0852 0010 28	BALL VALVE	1	830	1604 3375 02	HOSE ASSEMBLY	1
565	0623 2100 09	BACKNUT	1	835	1604 3376 02	HOSE ASSEMBLY	1
590	1604 4760 00	SUPPORT	1				
595	1615 5664 00	HEX. HEAD SCREW	2				
600	1604 3550 83	PANEL ASSY	1				

(For details see page 194)

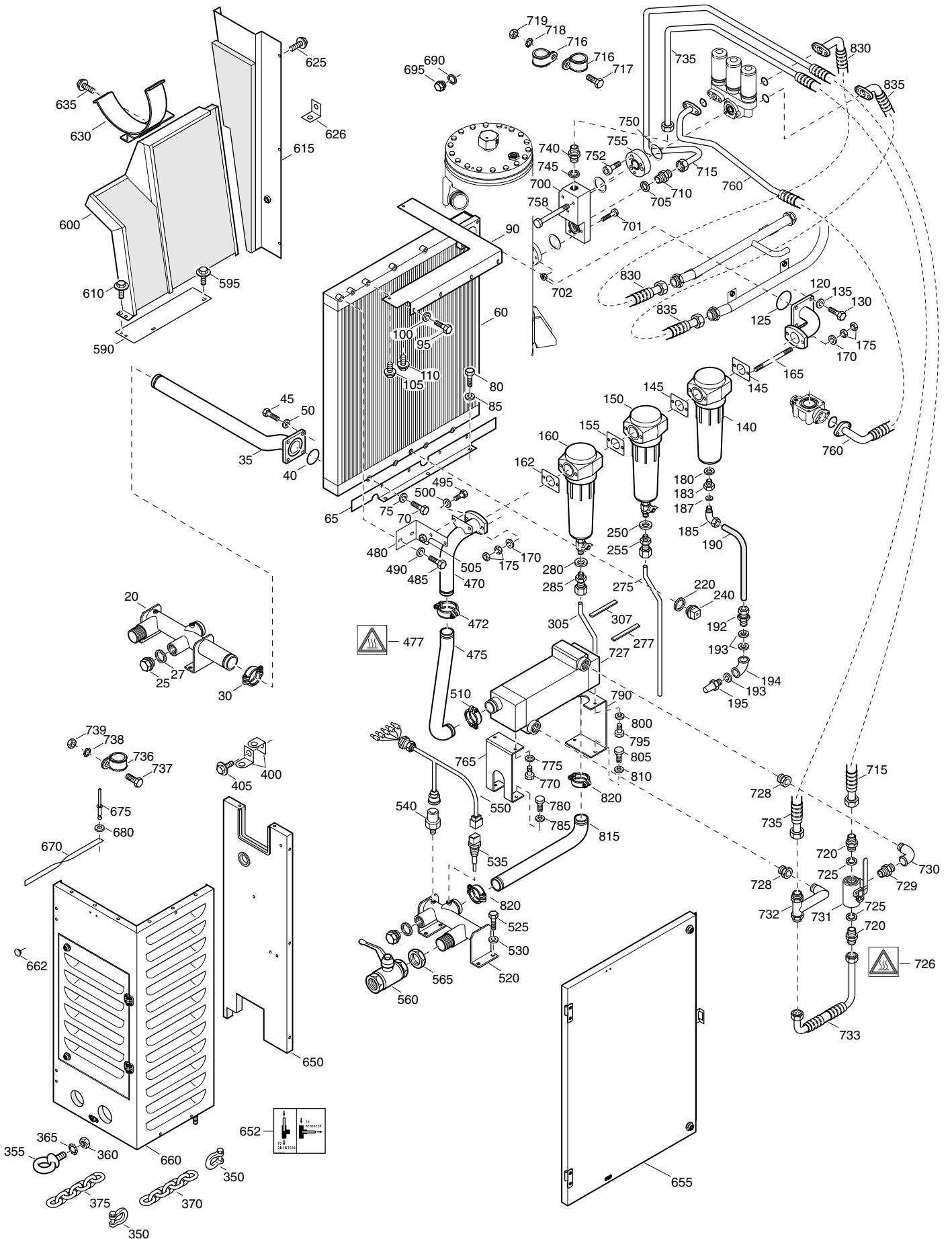
OPTION



## OPTION

REF	PART NUMBER	DESIGNATION	QTY	REF	PART NUMBER	DESIGNATION	QTY
20	1604 3353 01	MANIFOLD	1	565	0623 2100 09	BACKNUT	1
25	0686 3716 10	HEXAGON PLUG	1	590	1604 4760 00	SUPPORT	1
27	0653 1254 00	FLAT GASKET	1	595	1615 5664 00	HEX. HEAD SCREW	2
30	0634 1000 59	PIPE COUPLING	1	600	1604 3550 83	PANEL ASSY	1
35	1604 3354 01	PIPE	1			(For details see page 194)	
40	0663 7141 00	O-RING	1	610	1615 5664 00	HEX. HEAD SCREW	2
45	0147 1403 03	HEX. HEAD SCREW	4	615	1604 3551 81	PANEL ASSY	1
50	0301 2358 00	PLAIN WASHER	4			(For details see page 195)	
60	1604 3372 00	AFTERCOOLER HP	1	625	1615 5664 00	HEX. HEAD SCREW	7
65	1604 3366 00	SUPPORT	1	626	1615 1789 00	BRACKET	1
70	0147 1359 03	HEX. HEAD SCREW	4	630	1604 3552 02	SUPPORT	1
75	0301 2344 00	PLAIN WASHER	4	635	1615 5664 00	HEX. HEAD SCREW	2
80	0147 1362 03	HEX. HEAD SCREW	3	650	1604 2689 83	PANEL ASSY	1
85	0301 2344 00	PLAIN WASHER	3			(For details see page 196)	
90	1604 3365 03	SUPPORT	1	652	1079 9923 18	LABEL	1
95	0147 1359 03	HEX. HEAD SCREW	4	655	1604 2454 87	DOOR ASSY	1
100	0301 2344 00	PLAIN WASHER	4			(For details see page 89)	
105	1615 5664 00	HEX. HEAD SCREW	3	660	1604 2678 81	CORNER ASSY	1
110	1615 5664 00	HEX. HEAD SCREW	2			(For details see page 197)	
120	1604 3356 00	ELBOW	1	662	0686 9252 69	PROTECTION PLUG	1
125	0663 7141 00	O-RING	1	670	1616 4615 00	NYLON BAND	1
130	0147 1403 03	HEX. HEAD SCREW	4	675	0129 3101 00	BLIND RIVET	3
135	0301 2358 00	PLAIN WASHER	4	680	0301 2318 00	PLAIN WASHER	3
140	1615 8005 00	WATERSEPARATOR	1	690	0653 1124 00	FLAT GASKET	1
145	1604 1591 02	GASKET	2	695	0686 3716 02	HEXAGON PLUG	1
150	1604 3373 00	PD FILTER	1	700	1604 3384 00	ADAPTER	1
155	1604 1591 02	GASKET	1	701	0147 1372 03	HEX. HEAD SCREW	3
165	0248 9979 61	THREADED ROD	2	702	0266 2111 00	HEXAGON NUT	3
170	0301 2358 00	PLAIN WASHER	4	705	0661 1056 00	SEALING WASHER	1
175	0266 2112 00	HEXAGON NUT	8	710	1079 5840 06	HEXAGON NIPPLE	1
180	0653 1124 00	FLAT GASKET	1	715	1604 3368 03	HOSE ASSEMBLY	1
183	2253 0593 00	REDUCER	1	716	1619 2861 01	PIPE CLAMP	4
185	0581 1200 27	ELBOW PIPE COUPLING	1	717	0147 1327 03	HEX. HEAD SCREW	2
187	1604 4141 00	NOZZLE	1	718	0333 3227 00	LOCK WASHER	2
190	0070 6002 06	PLASTIC TUBE	AR	719	0266 2110 00	HEXAGON NUT	2
192	0581 0000 53	STRAIGHT PIPE COUPLING	1	720	1079 5840 06	HEXAGON NIPPLE	2
193	0653 1124 00	FLAT GASKET	3	725	0661 1056 00	SEALING WASHER	2
194	0560 0200 29	ELBOW	1	726	1079 9902 55	LABEL	1
195	9090 0510 00	SILENCER	1	727	1604 3359 01	REHEATER	1
220	0661 1049 00	SEALING WASHER	1	728	0605 8307 04	BUSHING	2
240	1612 0685 82	BLEEDER VALVE	1	729	0603 5126 03	HEXAGON NIPPLE	1
250	0653 1062 00	FLAT GASKET	1	730	0560 4401 17	ELBOW	1
255	0581 0060 00	STRAIGHT PIPE COUPLING	1	731	1604 4727 00	3-WAY VALVE	1
275	1604 4725 00	TUBE	1	732	1604 4732 00	PIPE	1
277	1503 1056 00	SEAL	AR	733	1604 4733 01	HOSE ASSEMBLY	1
350	0372 4100 08	BOW SHACKLE	2	735	1604 3367 03	HOSE ASSEMBLY	1
355	0371 1100 21	LIFTING EYE	1	736	1619 2861 01	PIPE CLAMP	1
360	0266 2111 00	HEXAGON NUT	1	737	0147 1322 03	HEX. HEAD SCREW	1
365	0333 3232 00	LOCK WASHER	1	738	0333 3227 00	LOCK WASHER	1
370	3163 1853 00	CHAIN	1	739	0266 2110 00	HEXAGON NUT	1
375	3163 1853 00	CHAIN	1	740	1079 5840 06	HEXAGON NIPPLE	1
400	1613 0807 00	SUPPORT	2	745	0661 1056 00	SEALING WASHER	1
405	1615 5664 00	HEX. HEAD SCREW	1	750	0663 9868 00	O-RING	2
470	1604 3380 01	PIPE	1	752	0211 1364 00	HEX SOCK. SCREW	3
472	0634 1000 59	PIPE COUPLING	1	755	1604 3585 00	ADAPTER	1
475	1604 5111 00	PIPE	1	758	0147 1375 03	HEX. HEAD SCREW	3
477	1079 9902 55	LABEL	1	760	1604 3377 02	HOSE ASSEMBLY	1
480	1604 3364 02	SUPPORT	1	765	1604 3362 00	SUPPORT	1
485	0147 1359 03	HEX. HEAD SCREW	2	770	0147 1322 03	HEX. HEAD SCREW	2
490	0301 2344 00	PLAIN WASHER	2	775	0301 2335 00	PLAIN WASHER	2
495	0147 1362 03	HEX. HEAD SCREW	2	780	0147 1362 03	HEX. HEAD SCREW	2
500	0301 2344 00	PLAIN WASHER	2	785	0301 2344 00	PLAIN WASHER	2
505	0266 2111 00	HEXAGON NUT	2	790	1604 3363 01	SUPPORT	1
510	0634 1000 59	PIPE COUPLING	1	795	0147 1322 03	HEX. HEAD SCREW	2
520	1604 3361 01	MANIFOLD	1	800	0301 2335 00	PLAIN WASHER	2
525	0147 1362 03	HEX. HEAD SCREW	4	805	0147 1362 03	HEX. HEAD SCREW	2
530	0301 2344 00	PLAIN WASHER	4	810	0301 2344 00	PLAIN WASHER	2
535	1089 0574 40	TEMPERATURE SENSOR	1	815	1604 3360 01	PIPE	1
540	1089 9579 55	PRESSURE SENSOR	1	820	0634 1000 59	PIPE COUPLING	2
550	1604 3449 00	WIRE HARNESS	1	830	1604 3375 02	HOSE ASSEMBLY	1
560	0852 0010 28	BALL VALVE	1	835	1604 3376 02	HOSE ASSEMBLY	1

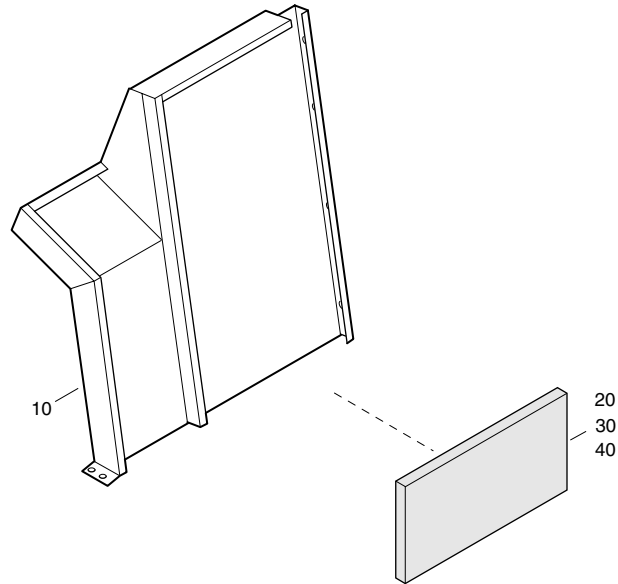
OPTION



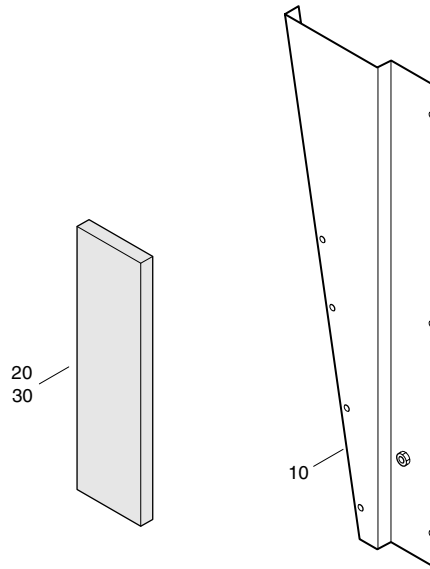
## OPTION

REF	PART NUMBER	DESIGNATION	QTY	REF	PART NUMBER	DESIGNATION	QTY
20	1604 3353 01	MANIFOLD	1	540	1089 9579 55	PRESSURE SENSOR	1
25	0686 3716 10	HEXAGON PLUG	1	550	1604 3449 00	WIRE HARNESS	1
27	0653 1254 00	FLAT GASKET	1	560	0852 0010 28	BALL VALVE	1
30	0634 1000 59	PIPE COUPLING	1	565	0623 2100 09	BACKNUT	1
35	1604 3354 01	PIPE	1	590	1604 4760 00	SUPPORT	1
40	0663 7141 00	O-RING	1	595	1615 5664 00	HEX. HEAD SCREW	2
45	0147 1403 03	HEX. HEAD SCREW	4	600	1604 3550 83	PANEL ASSY	1
50	0301 2358 00	PLAIN WASHER	4		(For details see page 194)		
60	1604 3372 00	AFTERCOOLER HP	1	610	1615 5664 00	HEX. HEAD SCREW	2
65	1604 3366 00	SUPPORT	1	615	1604 3551 81	PANEL ASSY	1
70	0147 1359 03	HEX. HEAD SCREW	4		(For details see page 195)		
75	0301 2344 00	PLAIN WASHER	4	625	1615 5664 00	HEX. HEAD SCREW	7
80	0147 1362 03	HEX. HEAD SCREW	3	626	1615 1789 00	BRACKET	1
85	0301 2344 00	PLAIN WASHER	3	630	1604 3552 02	SUPPORT	1
90	1604 3365 03	SUPPORT	1	635	1615 5664 00	HEX. HEAD SCREW	2
95	0147 1359 03	HEX. HEAD SCREW	4	650	1604 2689 83	PANEL ASSY	1
100	0301 2344 00	PLAIN WASHER	4		(For details see page 196)		
105	1615 5664 00	HEX. HEAD SCREW	3	652	1079 9923 18	LABEL	1
110	1615 5664 00	HEX. HEAD SCREW	2	655	1604 2454 87	DOOR ASSY	1
120	1604 3356 00	ELBOW	1		(For details see page 89)		
125	0663 7141 00	O-RING	1	660	1604 2678 81	CORNER ASSY	1
130	0147 1403 03	HEX. HEAD SCREW	4		(For details see page 197)		
135	0301 2358 00	PLAIN WASHER	4	662	0686 9252 69	PROTECTION PLUG	1
140	1615 8005 00	WATERSEPARATOR	1	670	1616 4615 00	NYLON BAND	1
145	1604 1591 02	GASKET	2	675	0129 3101 00	BLIND RIVET	3
150	1604 3373 00	PD FILTER	1	680	0301 2318 00	PLAIN WASHER	3
155	1604 1591 02	GASKET	1	690	0653 1124 00	FLAT GASKET	1
160	1604 3374 00	QD FILTER	1	695	0686 3716 02	HEXAGON PLUG	1
162	1604 1591 02	GASKET	1	700	1604 3384 00	ADAPTER	1
165	0248 9979 62	THREADED ROD	2	701	0147 1372 03	HEX. HEAD SCREW	3
170	0301 2358 00	PLAIN WASHER	4	702	0266 2111 00	HEXAGON NUT	3
175	0266 2112 00	HEXAGON NUT	8	705	0661 1056 00	SEALING WASHER	1
180	0653 1124 00	FLAT GASKET	1	710	1079 5840 06	HEXAGON NIPPLE	1
183	2253 0593 00	REDUCER	1	715	1604 3368 03	HOSE ASSEMBLY	1
185	0581 1200 27	ELBOW PIPE COUPLING	1	716	1619 2861 01	PIPE CLAMP	4
187	1604 4141 00	NOZZLE	1	717	0147 1327 03	HEX. HEAD SCREW	2
190	0070 6002 06	PLASTIC TUBE	AR	718	0333 3227 00	LOCK WASHER	2
192	0581 0000 53	STRAIGHT PIPE COUPLING	1	719	0266 2110 00	HEXAGON NUT	2
193	0653 1124 00	FLAT GASKET	3	720	1079 5840 06	HEXAGON NIPPLE	2
194	0560 0200 29	ELBOW	1	725	0661 1056 00	SEALING WASHER	2
195	9090 0510 00	SILENCER	1	726	1079 9902 55	LABEL	1
220	0661 1049 00	SEALING WASHER	1	727	1604 3359 01	REHEATER	1
240	1612 0685 82	BLEEDER VALVE	1	728	0605 8307 04	BUSHING	2
250	0653 1062 00	FLAT GASKET	1	729	0603 5126 03	HEXAGON NIPPLE	1
255	0581 0060 00	STRAIGHT PIPE COUPLING	1	730	0560 4401 17	ELBOW	1
275	1604 4725 00	TUBE	1	731	1604 4727 00	3-WAY VALVE	1
277	1503 1056 00	SEAL	AR	732	1604 4732 00	PIPE	1
280	0653 1062 00	FLAT GASKET	1	733	1604 4733 01	HOSE ASSEMBLY	1
285	0581 0060 00	STRAIGHT PIPE COUPLING	1	735	1604 3367 03	HOSE ASSEMBLY	1
305	1604 4725 00	TUBE	1	736	1619 2861 01	PIPE CLAMP	1
307	1503 1056 00	SEAL	AR	737	0147 1322 03	HEX. HEAD SCREW	1
350	0372 4100 08	BOW SHACKLE	2	738	0333 3227 00	LOCK WASHER	1
355	0371 1100 21	LIFTING EYE	1	739	0266 2110 00	HEXAGON NUT	1
360	0266 2111 00	HEXAGON NUT	1	740	1079 5840 06	HEXAGON NIPPLE	1
365	0333 3232 00	LOCK WASHER	1	745	0661 1056 00	SEALING WASHER	1
370	3163 1853 00	CHAIN	1	750	0663 9868 00	O-RING	2
375	3163 1853 00	CHAIN	1	752	0211 1364 00	HEX SOCK. SCREW	3
400	1613 0807 00	SUPPORT	2	755	1604 3585 00	ADAPTER	1
405	1615 5664 00	HEX. HEAD SCREW	1	758	0147 1375 03	HEX. HEAD SCREW	3
470	1604 3357 01	PIPE	1	760	1604 3377 02	HOSE ASSEMBLY	1
472	0634 1000 59	PIPE COUPLING	1	765	1604 3362 00	SUPPORT	1
475	1604 5111 00	PIPE	1	770	0147 1322 03	HEX. HEAD SCREW	2
477	1079 9902 55	LABEL	1	775	0301 2335 00	PLAIN WASHER	2
480	1604 3364 02	SUPPORT	1	780	0147 1362 03	HEX. HEAD SCREW	2
485	0147 1359 03	HEX. HEAD SCREW	2	785	0301 2344 00	PLAIN WASHER	2
490	0301 2344 00	PLAIN WASHER	2	790	1604 3363 01	SUPPORT	1
495	0147 1362 03	HEX. HEAD SCREW	2	795	0147 1322 03	HEX. HEAD SCREW	2
500	0301 2344 00	PLAIN WASHER	2	800	0301 2335 00	PLAIN WASHER	2
505	0266 2111 00	HEXAGON NUT	2	805	0147 1362 03	HEX. HEAD SCREW	2
510	0634 1000 59	PIPE COUPLING	1	810	0301 2344 00	PLAIN WASHER	2
520	1604 3361 01	MANIFOLD	1	815	1604 3360 01	PIPE	1
525	0147 1362 03	HEX. HEAD SCREW	4	820	0634 1000 59	PIPE COUPLING	2
530	0301 2344 00	PLAIN WASHER	4	830	1604 3375 02	HOSE ASSEMBLY	1
535	1089 0574 40	TEMPERATURE SENSOR	1	835	1604 3376 02	HOSE ASSEMBLY	1

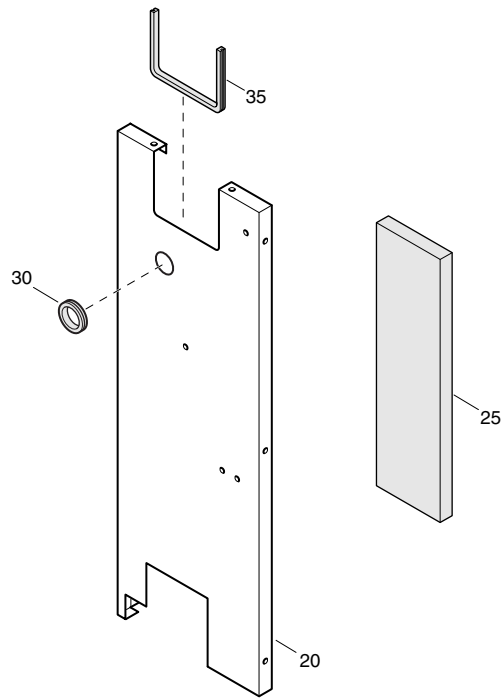
**OPTION**



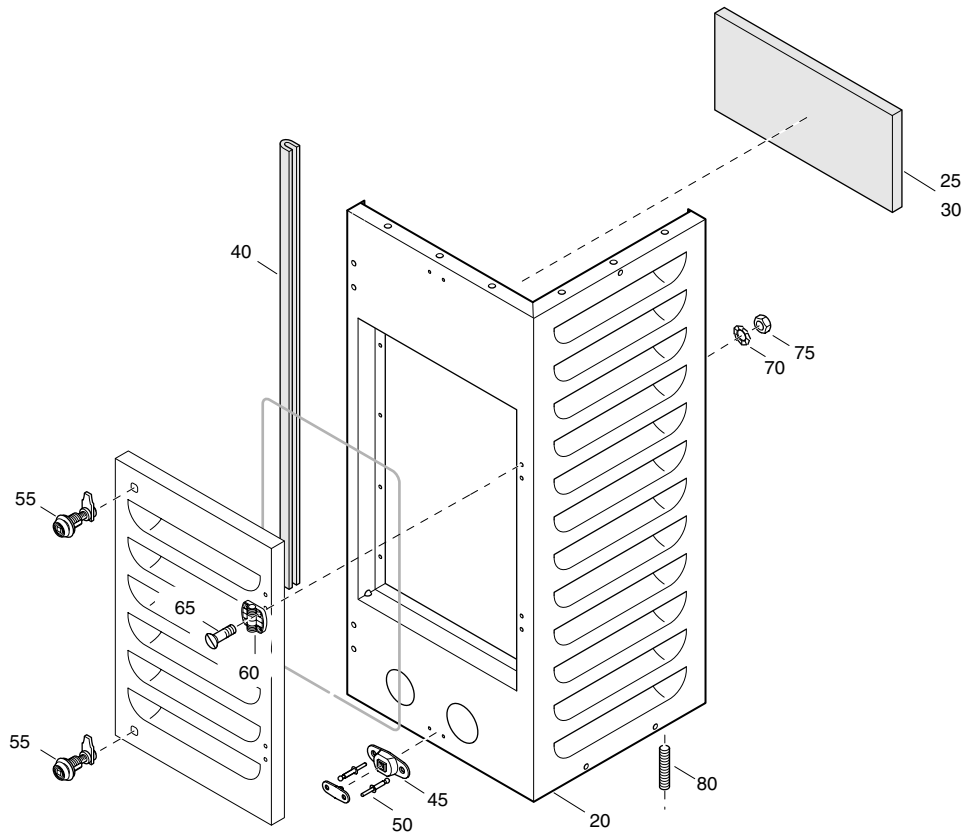
REF	PART NUMBER	DESIGNATION	QTY
-	1604 3550 83	PANEL ASSY	
•10	1604 3550 03	PANEL	1
•20	-	SILENCING FOAM	1
•30	-	SILENCING FOAM	1
•40	-	SILENCING FOAM	1
-	1079 0003 32	SILENCING FOAM 2000 mm x 1500 mm x 30 mm	
-	1079 0001 91	SILENCING FOAM 2000 mm x 1500 mm x 40 mm	
-	1079 0003 33	SILENCING FOAM 2000 mm x 1500 mm x 50 mm	



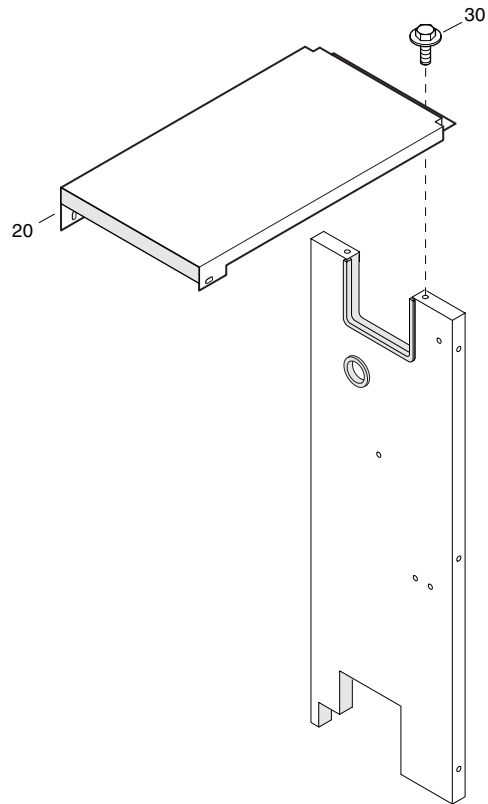
REF	PART NUMBER	DESIGNATION	QTY
-	1604 3551 81	PANEL ASSY	
•10	1604 3551 01	PANEL	1
•20	-	SILENCING FOAM	1
•30	-	SILENCING FOAM	1
-	1079 0003 32	SILENCING FOAM 2000 mm x 1500 mm x 30 mm	
-	1079 0001 91	SILENCING FOAM 2000 mm x 1500 mm x 40 mm	
-	1079 0003 33	SILENCING FOAM 2000 mm x 1500 mm x 50 mm	



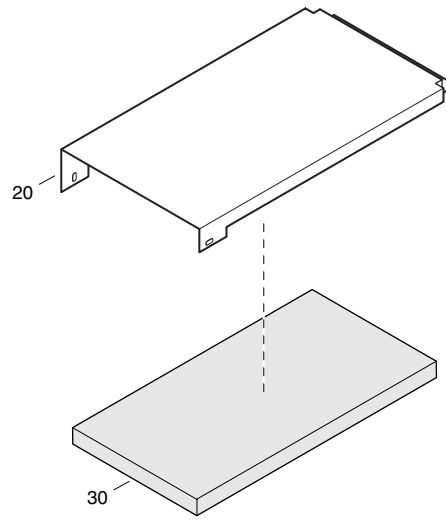
REF	PART NUMBER	DESIGNATION	QTY
-	1604 2689 83	PANEL ASSY	
•20	1604 2689 03	PANEL	1
•25	-	FOAM	1
•30	1604 0383 00	SEAL (OIL SEPARATOR)	1
•35	1503 1056 00	SEAL	AR
-	1079 0003 32	SILENCING FOAM 2000 mm x 1500 mm x 30 mm	
-	1079 0001 91	SILENCING FOAM 2000 mm x 1500 mm x 40 mm	
-	1079 0003 33	SILENCING FOAM 2000 mm x 1500 mm x 50 mm	



REF	PART NUMBER	DESIGNATION	QTY
-	1604 2678 81	CORNER ASSY	
•20	1604 2678 01	CORNER PANEL	1
•25	-	SILENCING FOAM	1
•30	-	SILENCING FOAM	1
•40	1619 2665 00	SEAL	AR
•55	1604 2519 00	LOCK	2
•60	1604 2172 00	HINGE	2
•65	0160 6060 00	SLOTTED SCREW	8
•70	0333 3215 00	LOCK WASHER	8
•75	0266 2107 00	HEXAGON NUT	8
•80	0246 1956 35	STUD	4
-	1079 0003 32	SILENCING FOAM 2000 mm x 1500 mm x 30 mm	
-	1079 0001 91	SILENCING FOAM 2000 mm x 1500 mm x 40 mm	
-	1079 0003 33	SILENCING FOAM 2000 mm x 1500 mm x 50 mm	

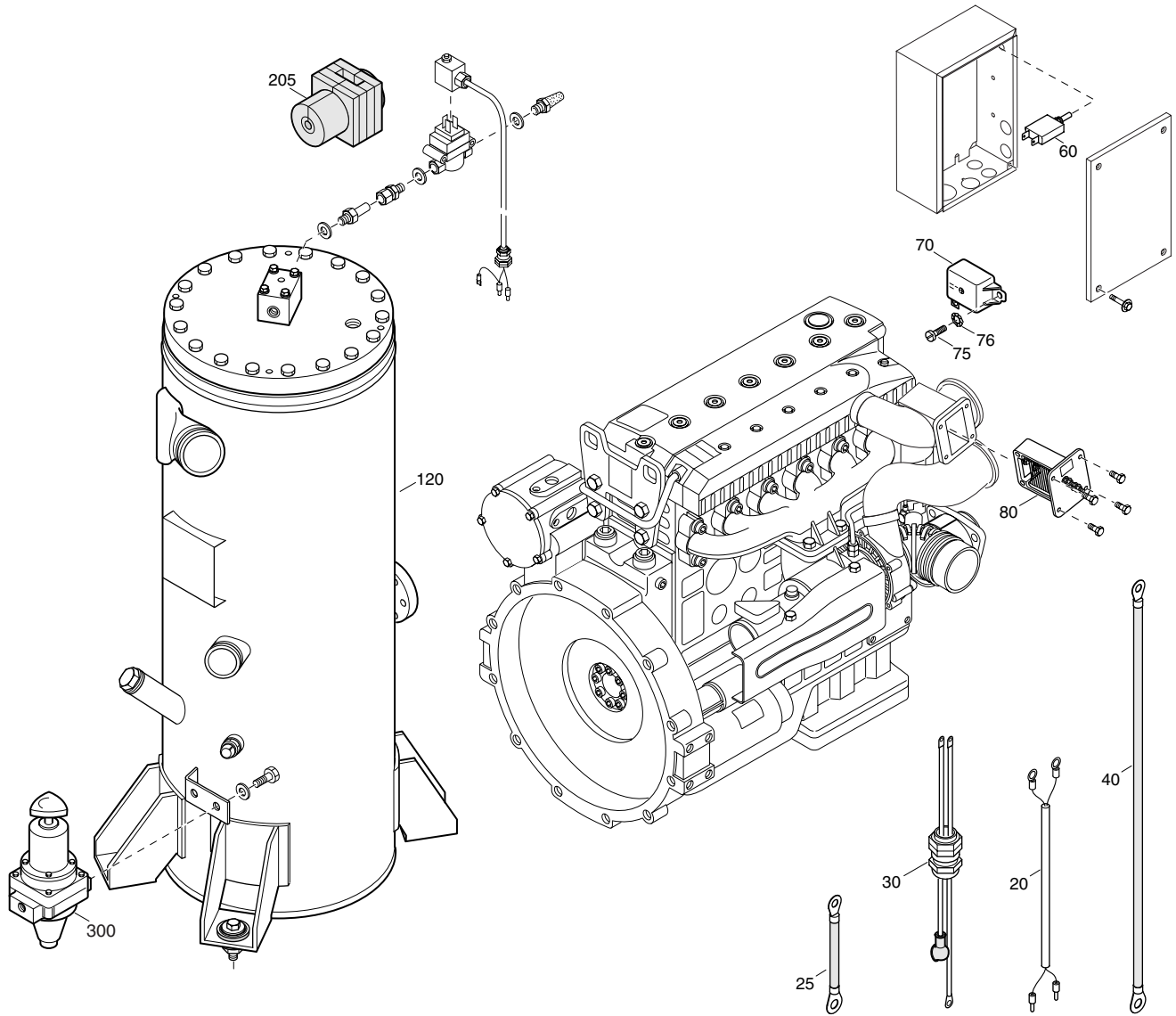
**OPTION**

REF	PART NUMBER	DESIGNATION	QTY
20	1604 5153 80	PLATE ASSY (For details see page 199)	1
30	1615 5664 00	SCRAPER BOLT	2

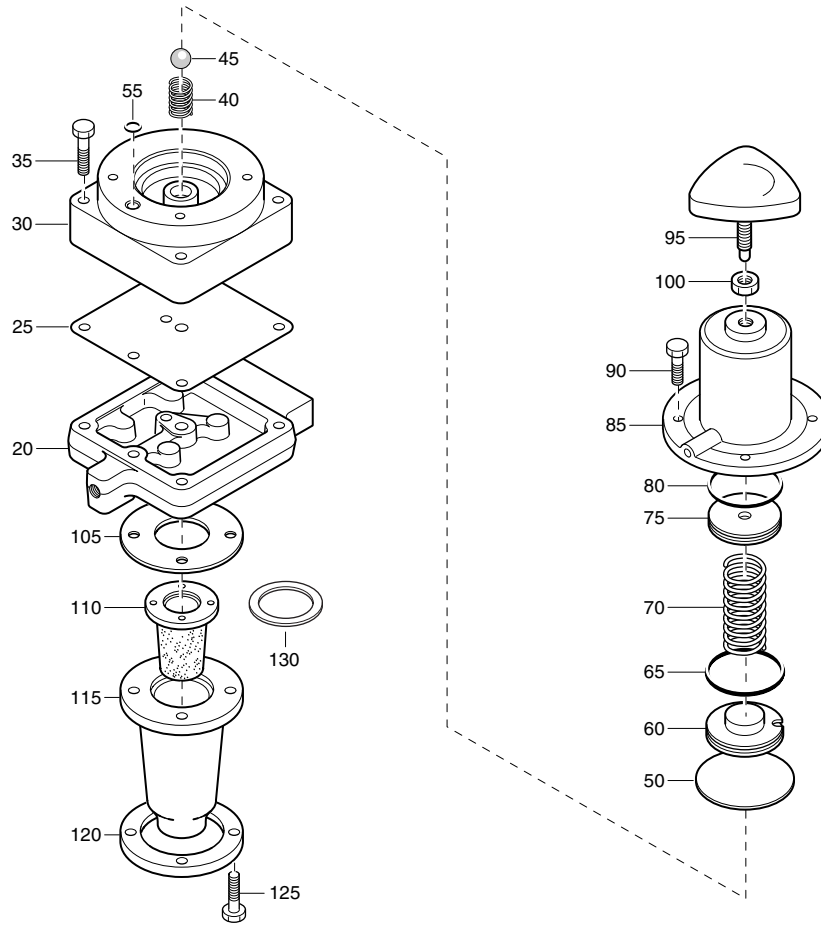


REF	PART NUMBER	DESIGNATION	QTY
-	1604 5153 80	PLATE ASSY	
•20	1604 5153 00	PLATE	1
•30	-	SILENCING FOAM	1
-	1079 0003 32	SILENCING FOAM 2000 mm x 1500 mm x 30 mm	
-	1079 0001 91	SILENCING FOAM 2000 mm x 1500 mm x 40 mm	
-	1079 0003 33	SILENCING FOAM 2000 mm x 1500 mm x 50 mm	

OPTION



REF	PART NUMBER	DESIGNATION	QTY
20	1604 1343 00	WIRE	1
25	1604 1335 00	WIRE	1
30	1604 3388 02	WIRE	1
40	1604 3389 01	WIRE	1
60	1089 9530 05	CIRCUIT BREAKER	1
70	1089 9534 05	RELAIS	1
75	0160 6060 00	SLOTTED SCREW	2
76	0333 3215 00	LOCK WASHER	2
80	1604 1338 00	HEATER	1
120	1604 2532 90	OILSEP. ASSY ASME (For details see page 112)	1
205	1604 4609 00	INSULATION	1
300	2252 0495 98	REGUL. VALVE (For details see page 201)	1



REF	PART NUMBER	DESIGNATION	QTY	REF	PART NUMBER	DESIGNATION	QTY
-	2252 0495 98	REGUL. VALVE		95	1604 4289 00	SCREW	1
20	-	BASE PLATE (Not available separately)	1	100	0268 4138 22	HEXAGON NUT	1
25	-	GASKET (For details see page 7)	1	105	2250 5842 00	GASKET	1
30	-	SEAT ASS'Y (Not available separately)	1	110	1012 0356 00	FILTER	1
35	0147 1250 03	HEX. HEAD SCREW	4	115	2250 5841 00	FILTER HOUSING	1
40	-	SPRING (For details see page 7)	1	120	2254 3391 00	RING	1
45	-	BEARING BALL (For details see page 7)	1	125	0147 1248 03	HEX. HEAD SCREW	4
50	-	MEMBRANE (For details see page 7)	1	130	1604 4735 00	WASHER	1
55	-	O-RING (For details see page 7)	1				
60	2252 4058 00	SPRING GUIDE	1				
65	0663 3132 00	O-RING	1				
70	2255 0284 00	COMPR.SPRING	1				
75	2252 4059 00	SPRING SEAT	1				
80	0663 3131 00	O-RING	1				
85	-	SPRING COVER (Not available separately)	1				
90	0147 1247 03	HEX. HEAD SCREW	4				







**Parts List for Portable Compressor**

**XRHS396 Md**

