

Recommended Spare Parts - PAC H64 440 ITH s/n ITH0000001 -

Recommended Spare Parts: Self Priming Centrifugal
Pump

Spare part list	1
Preventive maintenance	2
Engine parts	7
Pump parts	9
Keys	11

Spare part list



PAC H64 440

Engine	DC09074A T2 (SC03)
Engine oil sump capacity	38,0 l / 10,04 US gal
Vacuum pump oil capacity	0,8 l / 0,21 US gal
Mechanical seal oil capacity	4,0 l / 1,05 US gal
Recommended cool. capacity	38,8 l / 10,24 US gal
Pump type	ZP 64-S440 HH G11 F11.5 V22 1.8



Maintenance Kits

Description	Order Nr
SERVICE PAK 500 HR	4810 0680 70
SERVICE PAK 1000 HR	4810 0680 71



Wear & Repair Kits

Description	Order Nr
ELASTOMER COUPLING	4810 0674 13
SEAL KIT	4810 0718 08
SERVICE KIT RUBBER PARTS	4810 0727 92
SET OF GASKETS - PUMP	4810 0696 86
SET OF GASKETS - SEPARATOR	4810 0730 36
SET OF SCREWS - PUMP	4810 0696 85
WEAR PART KIT	4810 0718 05



Engine Parts

Description	Order Nr
CHARGING ALTERNATOR	4810 0675 27
CONTROL PANEL	4810 0673 00
FAN	4810 0675 50
FUEL CAP	4810 0675 29
FUEL PUMP	4810 0675 32
OIL CAP	4810 0675 34
OIL LEVEL CAP	4810 0675 44
OIL LEVEL DIPSTICK	4810 0675 63
RADIATOR CAP	4810 0675 28
SENSOR COOLANT LEVEL	2914 8896 00
SENSOR OIL PRESSURE	2914 8888 00
SENSOR TEMPERATURE	2914 8889 00
STARTER MOTOR	2914 7400 00



Fluids

Description	Order Nr
PAROIL E 5 LITER/1.32 GALLON	1615 5953 00
PAROIL E 20 LITER/5.3 GALLON	1615 5954 00
PAROIL E 210 LITER/55.5 GALLON	1615 5955 00
PARCOOL EG 5 LITER/1.32 GALLON	1604 5308 01
PARCOOL EG 20 LITER/5.3 GALLON	1604 5307 02
PARCOOL EG 210 LITER/55.5 GALLON	1604 5306 01



Keys

Description	Order Nr
KEYSWITCH	4810 0722 14
CONTROL PANEL DOOR KEY	4810 0692 75



Service intervals fluids

Change engine/seal oil & vacuum pump oil every 500 hr / 12 months
 Change oil coolant every 4000 hr / 36 months
 Change vacuum pump belt every 1000 hr / 24 months



Pump Parts

Description	Order Nr
AIR SEPARATOR COMPLETE	4810 0718 18
CHECK VALVE FLAP	4810 0755 86
FRONT WEAR RING SET	4810 0718 06
IMPELLER	4810 0683 70
IMPELLER NUT	4810 0014 72
MECHANICAL SEAL ASSEMBLY	4810 0756 76
PUMP CASING COMPLETE	4810 0717 92
REAR WEAR PLATE SET	4810 0718 07
SEPARATOR FLOAT ASSEMBLY	4810 0709 28
SHAFT ASSEMBLY	4810 0696 87
SHAFT KEY	4810 0696 88
VACUUM PUMP BELT	4810 0003 33
VACUUM PUMP COMPLETE	4810 0727 72

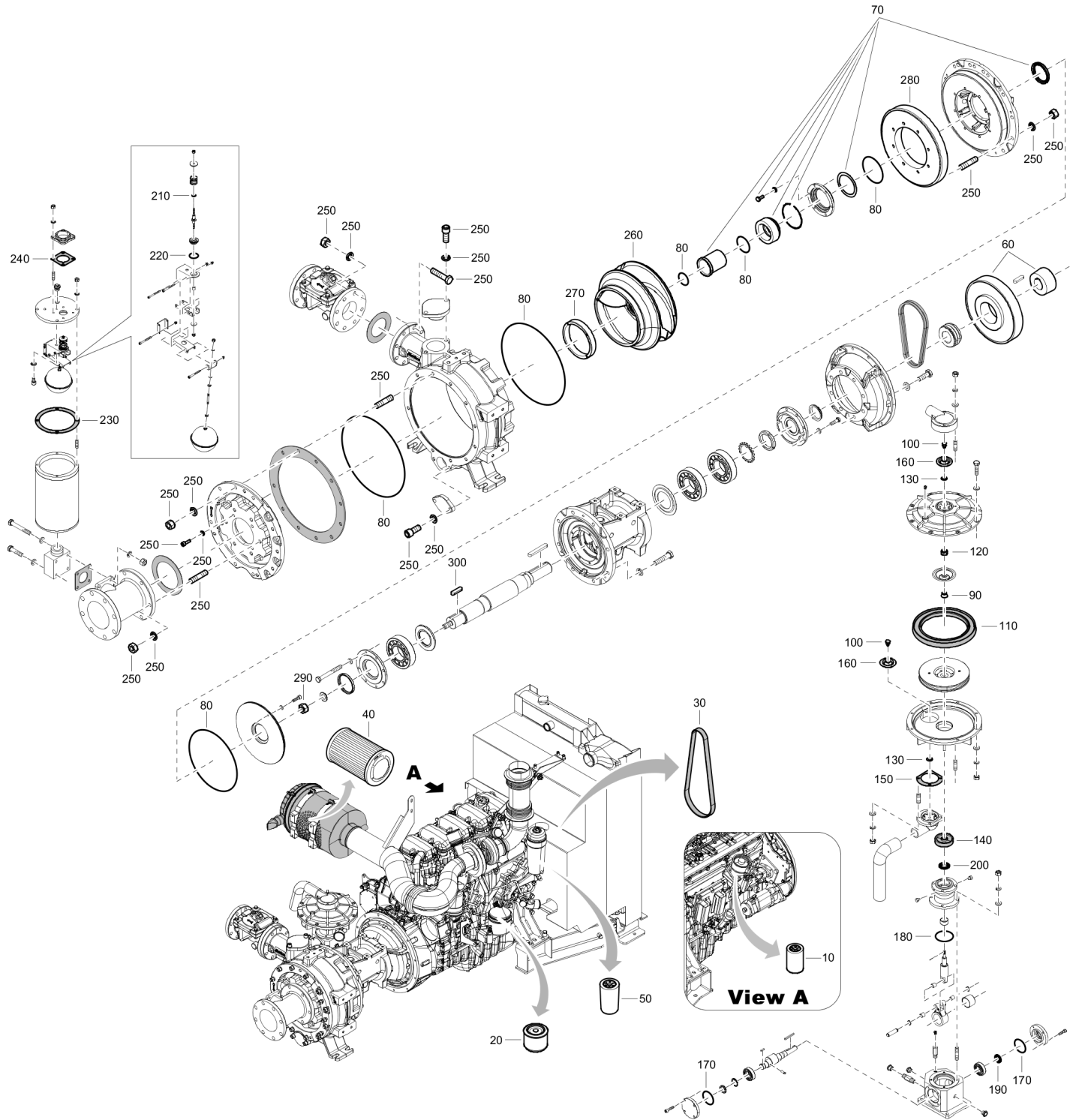
Scan QR code for more information

4810072590_02

www.atlascopco.com

This page intentionally left blank

Preventive maintenance



Refer to Parts Online for the most up to date information. The printed information might be outdated.

Wed Sep 27 02:16:57 UTC 2023

Item	Part No.	Name	Qty	L
-	4810068070	SERVICE PACK 500 HOURS	1	
10	2914513300	Fuel filter	1	
20	2914889900	FILTER OIL	1	
-	4810068071	SERVICE PACK 1000 HOURS	1	
10	2914513300	Fuel filter	1	
20	2914889900	FILTER OIL	1	
30	4810067548	POLY V-BELT	1	
40	4810067554	AIR FILTER ELEMENT	1	
50	1636303915	FUEL PRE-FILTER	1	
60	4810067413	COUPLING	1	
-	4810071808	SEAL KIT	1	
70	4810075676	MECHANICAL SEAL ASSEMBLY	1	
80	4810069686	SET OF GASKETS	1	
-	4810072792	SERVICE KIT RUBBER IB100	1	
90	4810068580	ACTUATOR WASHER	1	
100	4810068583	STUD	2	
110	4810068589	ACTUATOR SEAL	1	
120	4810068594	NUT	1	
130	4810068617	WASHER	2	
140	4810068629	SEAL	1	
150	4810068634	GASKET	1	
160	4810068639	VALVE	2	
170	4810068960	O-RING	2	
180	4810068961	O-RING	1	
190	4810068979	LIP SEAL	1	
200	4810079915	LIP SEAL	1	
80	4810069686	SET OF GASKETS	1	
-	4810068808	O-RING	2	
-	4810067616	O-RING	1	
-	4810068815	O-RING	1	
-	4810068903	O-RING	1	
-	4810001216	O-RING	1	
-	4810073036	SET OF GASKETS - SEPARATOR	1	
210	4810067963	O-RING	1	
220	4810001237	O-RING	1	

Refer to Parts Online for the most up to date information. The printed information might be outdated.

Wed Sep 27 02:16:57 UTC 2023

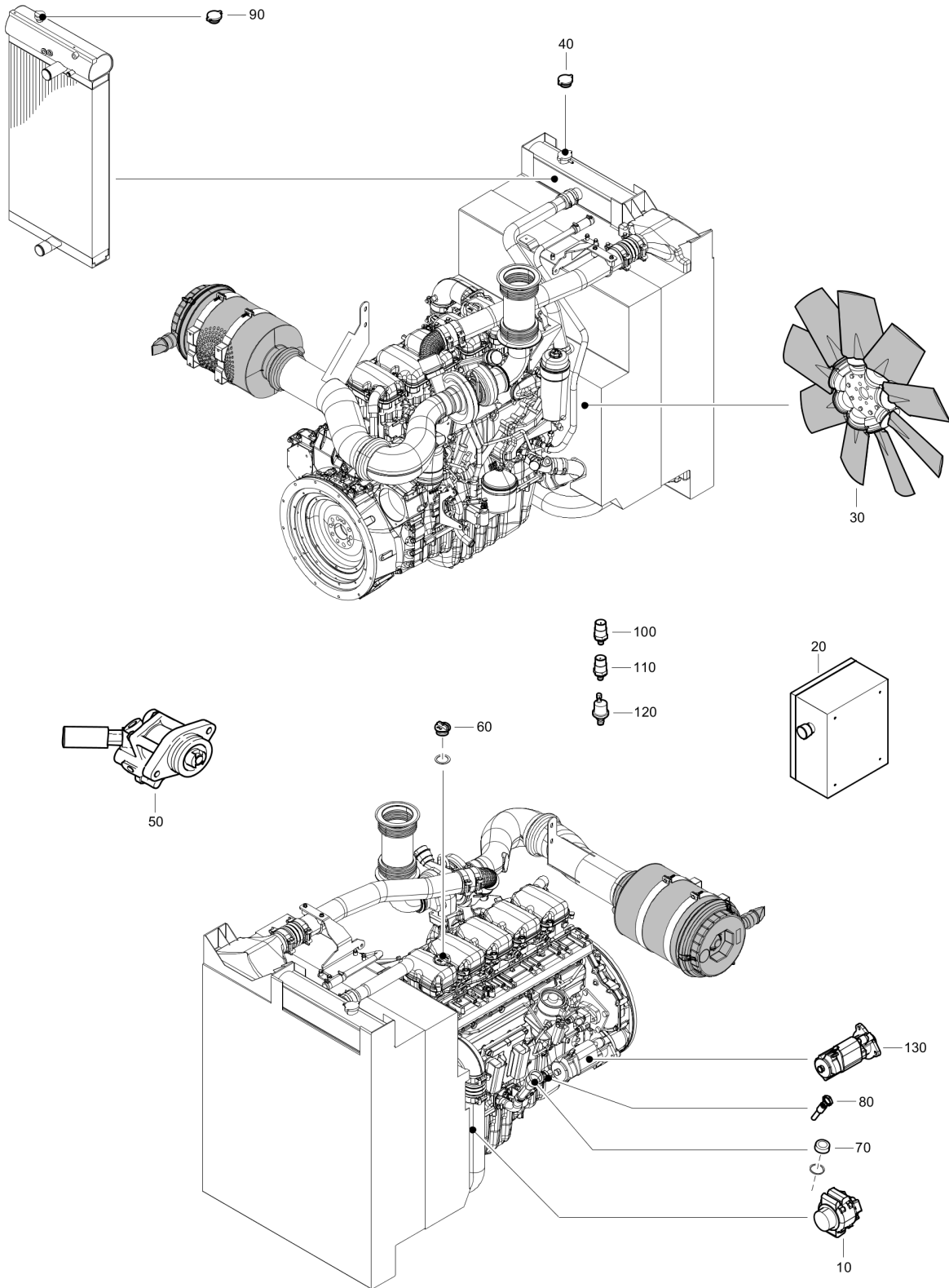
This page intentionally left blank

Item	Part No.	Name	Qty	L
230	4810069758	GASKET	1	
240	4810005676	GASKET	1	
250	4810069685	SET OF SCREWS	1	
-	4810057271	RIVETS	2	
-	4810001831	STUD	28	
-	4810001681	LOCK WASHER	28	
-	4810001425	NUT	28	
-	4810001923	SCREW	4	
-	4810037477	WASHER	4	
-	4810069457	SCREW	8	
-	4810001831	STUD	6	
-	4810071805	WEAR PART KIT	1	
260	4810068370	IMPELLER	1	
270	4810071806	FRONT WEAR RING SET	1	
280	4810071807	REAR WEAR PLATE SET	1	
290	4810001472	LOCK NUT	1	
300	4810069688	KEY	1	
-	-	Engine oil	-	
-	1615595300	PAROIL E 5 LITER/1.32 GALLON	1	
-	1615595400	CAN PAROIL E 20 LITER/5.3 GALLON	1	
-	1615595500	BARREL PAROIL E 210 LITER/55.5 GALLON	1	
-	-	Coolant oil	-	
-	1604530801	CAN PARCOOL EG 5 LITER/1.32 GALLON	1	
-	1604530702	CAN PARCOOL EG 20 LITER/5.3 GALLON	1	
-	1604530601	BARREL PARCOOL EG 210 LITER/55.5 GALLON	1	

Refer to Parts Online for the most up to date information. The printed information might be outdated.

Wed Sep 27 02:16:57 UTC 2023

Engine parts



Refer to Parts Online for the most up to date information. The printed information might be outdated.

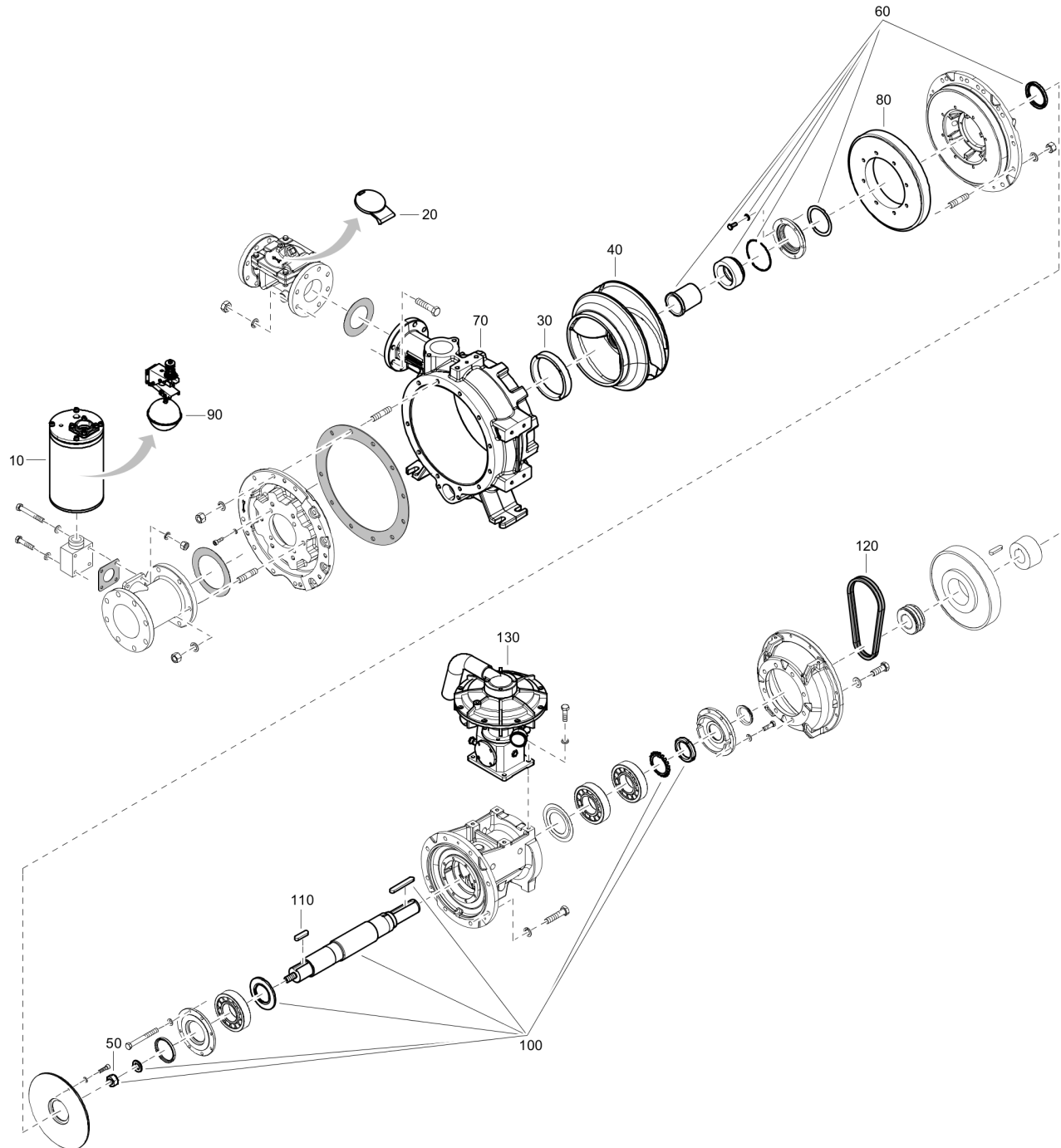
Wed Sep 27 02:16:58 UTC 2023

Item	Part No.	Name	Qty	L
10	4810067527	CHARGING ALTERNATOR	1	
20	4810067300	Control panel - PW500	1	
30	4810067550	FAN	1	
40	4810067529	FUEL CAP	1	
50	4810067532	FUEL PUMP	1	
60	4810067534	MAGNETIC CAP	1	
70	4810067544	Oil level cap	1	
80	4810067563	OIL DIPSTICK	1	
90	4810067528	RADIATOR CAP	1	
100	2914889600	COOLANT LEVEL SENSOR	1	
110	2914888800	OIL PRESSURE SENSOR	1	
120	2914888900	TEMPERATURE SENSOR	1	
130	2914740000	STARTER MOTOR	1	

Refer to Parts Online for the most up to date information. The printed information might be outdated.

Wed Sep 27 02:16:58 UTC 2023

Pump parts



Refer to Parts Online for the most up to date information. The printed information might be outdated.

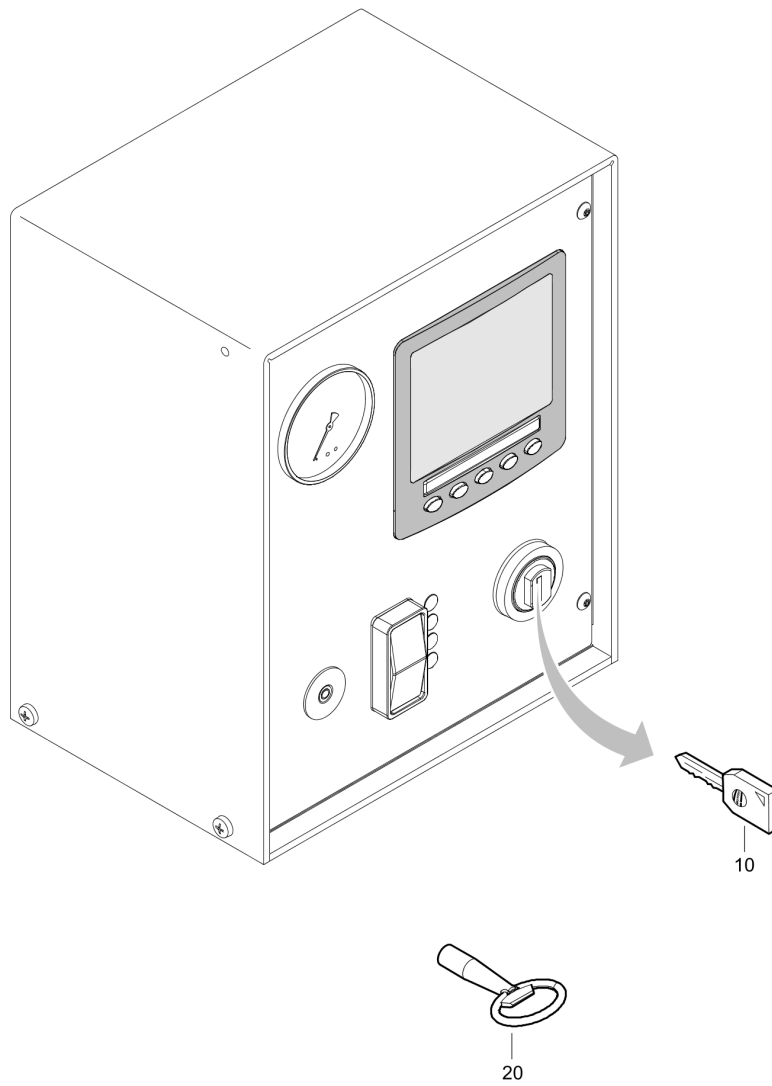
Wed Sep 27 02:16:59 UTC 2023

Item	Part No.	Name	Qty	L
10	4810071818	SEPARATOR COMPLETE	1	
20	4810075586	CHECK VALVE FLAP	1	
30	4810071806	FRONT WEAR RING SET	1	
40	4810068370	IMPELLER	1	
50	4810001472	LOCK NUT	1	
60	4810075676	MECHANICAL SEAL ASSEMBLY	1	
70	4810071792	PUMP CASING	1	
80	4810071807	REAR WEAR PLATE SET	1	
90	4810070928	SEPARATOR FLOAT ASSEMBLY	1	
100	4810069687	SHAFT ASSEMBLY	1	
110	4810069688	KEY	1	
120	4810000333	VACUUM PUMP BELT	2	
130	4810072772	MEMBRAN VACUUM PUMP YELLOW ACY	1	

Refer to Parts Online for the most up to date information. The printed information might be outdated.

Wed Sep 27 02:16:59 UTC 2023

Keys



Refer to Parts Online for the most up to date information. The printed information might be outdated.

Wed Sep 27 02:16:59 UTC 2023

Item	Part No.	Name	Qty	L
10	4810072214	IGNITION KEY	2	
20	4810069275	CONTROL PANEL DOOR KEY	1	

Refer to Parts Online for the most up to date information. The printed information might be outdated.

Wed Sep 27 02:16:59 UTC 2023