

OS400/OS500 Oil Systems



INSTRUCTION MANUAL for OS400 and OS500 Models

Introduction

Thank you for purchasing a Macnaught OS400/OS500 bulk oil transfer system. The OS400/OS500 oil systems have been designed to attach easily to bulk containers

Macnaught also manufacture a complete range of retractable hose reels, oil dispensing nozzles, fuel pumps, oil pumps, positive displacement flow-meters, greasing equipment and a complete range of accessories to suit all your fluid handling

Important Information

PLEASE READ THIS SAFETY INFORMATION CAREFULLY BEFORE USE.

Read and retain this instruction manual to assist you in the operation and maintenance of this product.

'Cautions' are listed throughout this manual to advise of actions to which may cause damage to your equipment.

ONLY use this product in accordance with the instructions provided.

Description

The OS400 and OS500 are a IBC/wall-mounted oil delivery system which includes an Air-Operated Oil Pump, a oil rated Hose Reel with wall mounting brackets for the reel and pump and suction and feeder hoses.

The OS500B-01 is the bare system including a R300 3:1 ratio Oil Pump, a low pressure OMP415B-01 Oil Hose Reel, suction and feeder hoses.

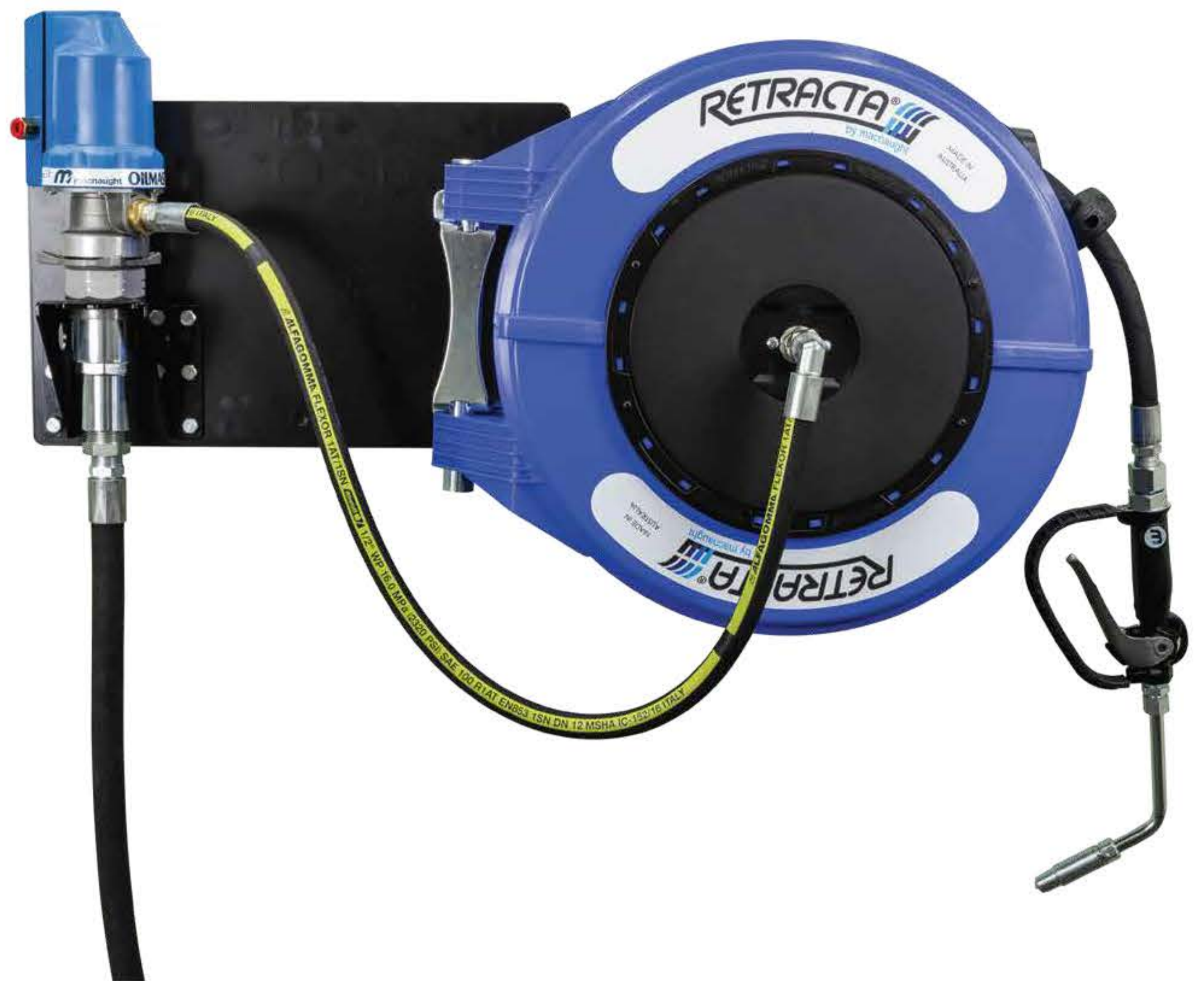
The OS500G-01 includes the bare system parts with the addition of an IH20R-01 Hose-End Gun.

The OS400B-01 and OS400G-01 is identical to the OS500 equivalents but a T312 Oil pump replaces the R300.

Assembly

1) Fit the pump mounting bracket to the mounting plate using the 8mm set screws and washers supplied.

2) Screw the pump bung adapter into the mounting bracket, then slide the pump into position and lock the pump firmly.



3) Fit the reel mounting bracket to the mounting plate using the 6mm set screws and washers supplied.

4) Fit the reel on to the mounting bracket.

Note: use a suitable thread sealant on all screwed fittings.

5) Screw the 3/4" BSP Male fitting on the suction hose to the oil inlet on the bottom of the pump and tighten securely.



WARNING

Do not overtighten screwed fittings

6) Screw the feeder hose to the oil outlet on the pump using the 3/4" (M) x 1/2" (F) pump adaptor supplied.

7) Screw the remaining end of the feeder hose to the reel using the 1/2" (F) x 3/8" (F) reel adaptor supplied.

8) Screw the Oil Gun swivel on to the hose outlet on the oil reel (if applicable).

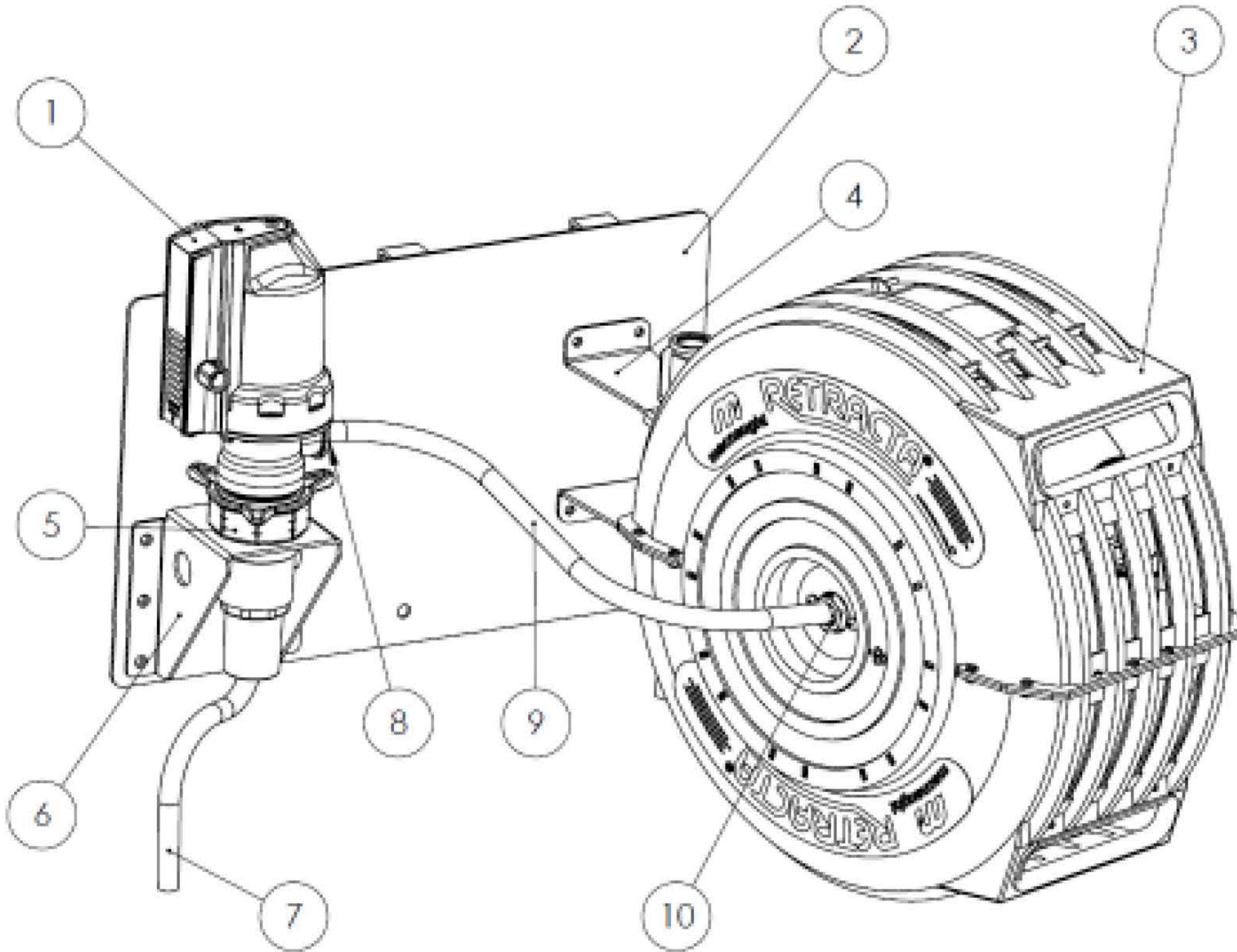


CAUTION

Make sure all connections are tight before connecting the air supply.

DO NOT use air pressure greater than 10 BAR / 100kPa / 145psi.

Spare Part Diagram



OS400B-01 Shown, Use this image only as a reference

Spare Part Listing

Item Number	Description	Spare Part/Kit	
		OS400	OS500
1	Oil Pump	T312-01	R300s-01
2	Wall Mounting Plate	RB8s	RB8s
3	Hose Reel	OMP415B-01	OMP415B-01
4	Hose Reel Bracket	BU100	BU100
5	Bung Adaptor	TF011s	TF011s
6	Oil Pump Bracket	TD20-BLACKs	TD20-BLACKs
7	Suction Hose	RH107s	RH107s
8	Reducing Bush	N384s	N384s
9	Feeder Hose	RH108s	RH108s
10	Feeder Nipple	N385s	N385s



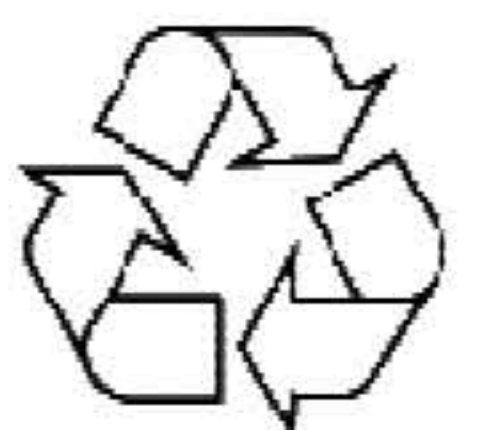
Macnaught Pty Limited
ABN 66 000 075 785

41-49 Henderson Street
Turrella NSW 2205 Sydney Australia
Postal Address PO Box 90
Amcliffe NSW 2205 Sydney Australia

T: +61 2 9567 0401
F: +61 2 9597 7773
W: www.macnaught.com.au

Note:

This product should be disposed of according to all applicable local and national government environment regulations and guidelines.



For Warranty Terms and Conditions see macnaught.com.au
For a list of Australian Service Centres see macnaught.com.au